

AERA 2

Downlights - Recessed Open Frame (OF), IC Rated (IC), Chicago Plenum (CP)



! This product must be installed in accordance with the National Electrical Code and all applicable local codes, by a person familiar with the construction and operation of the product, and the hazards involved. Proper grounding is required for safety.

Ce produit doit être installé suivant le code national de l'électricité, ainsi que tous les codes locaux applicables, par une personne familière avec la construction et le fonctionnement du produit, ainsi que tous les risques qui y sont associés. La mise à terre électrique est obligatoire pour la sécurité.

! Wire dimming conductors as Class 1.

💡 Shown with 2" round fixed. Applicable to all types, and shapes for 2".

OVERVIEW

! Warnings

Install per national installation and accident prevention regulations.

Clearance between sides of luminaire and parts of building must be 1/2" minimum; clearance to insulating materials to be 3" minimum, unless luminaires is IC rated.

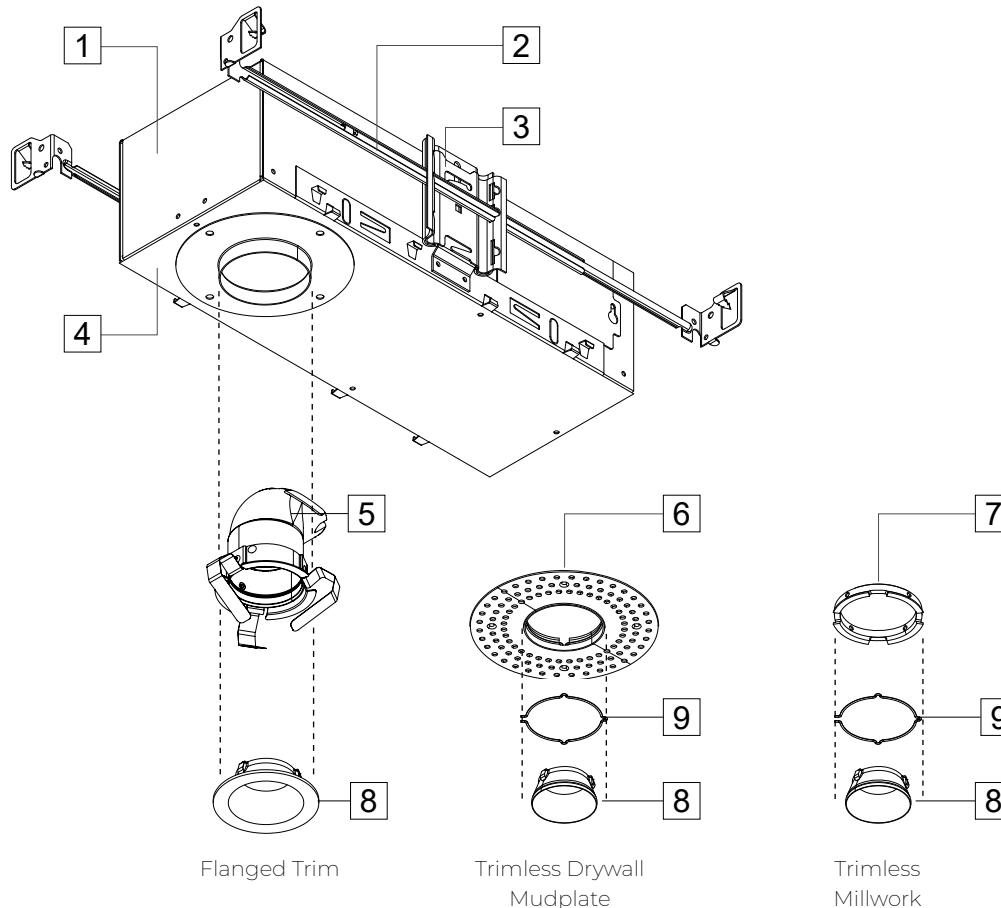
Fixtures must be installed in applications where the ambient temperature does not exceed 40° C during normal operation.

Do not connect or disconnect LED board wire connector when the fixture is energized. This may result in permanent damage to the LED array.

Warranty claims will not be accepted if incorrect driver or light element is used.

Do not cover the light element lens or heatsink with any materials or adhesive tapes.

💡 For remote driver box, please refer to the [remote driver installation sheet](#) for more information.



Index

Go to pages related to product configuration.

- Housing Installation.....[P.3](#)
- Electrical Connection.....[P.3](#)
- Ceiling Preparation.....[P.4](#)
- Light Element & Baffle.....[P.6](#)
- Light Element Adjustment ¹.....[P.8](#)

¹ For adjustable only.

🔧 Tools Required

- Allen Key 1/16" ¹
- Adjustable Hole Cutter
- Drywall Knife ²
- Hammer

¹ For millwork adapter only.
² Or router.

Items List

- [1] - IC/CP Box
- [2] - Bar Hangers
- [3] - Bracket
- [4] - Mounting Frame
- [5] - Light Element
- [6] - Mudplate
- [7] - Millwork Adapter
- [8] - Baffle
- [9] - Spring Ring



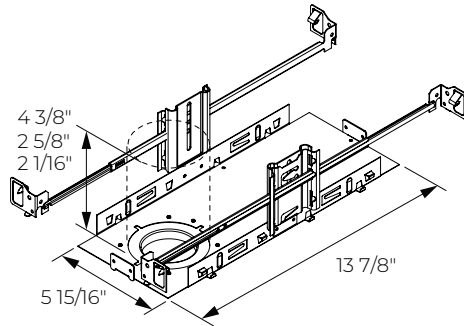
AERA 2

Downlights - Recessed Open Frame (OF), IC Rated (IC), Chicago Plenum (CP)

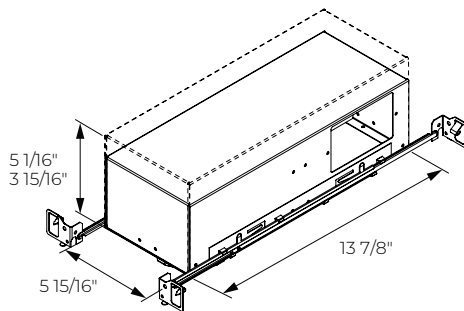


OVERVIEW - OPTIONS

INSTALLATION TYPES

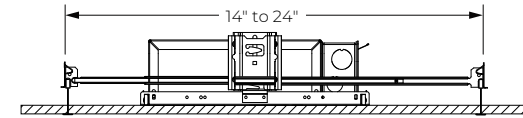


Open Frame Type Non-IC

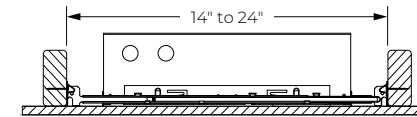


IC Rated
Chicago Plenum Type-IC

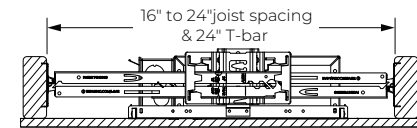
MOUNTING OPTIONS



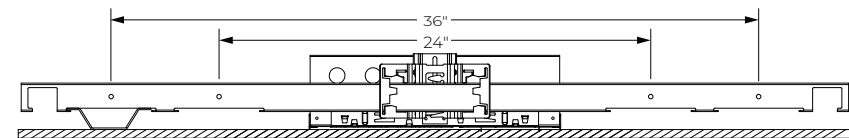
Adjustable Standard Bar Hanger



Flush Mount Bars



Adjustable Commercial Bar Hanger



Adjustable Hat Channel Bars



AERA 2

Downlights - Recessed Open Frame (OF), IC Rated (IC), Chicago Plenum (CP)



INSTALL HOUSING SYSTEM

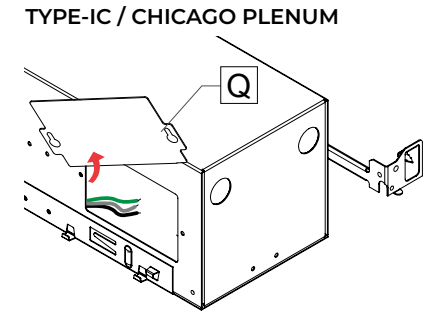
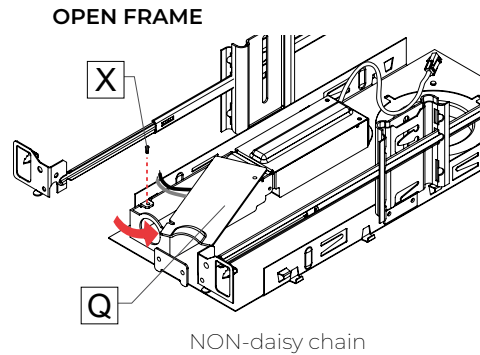
Install the housing by referring to the installation instructions in the [downlight mounting option guide](#) on our website.



ELECTRICAL CONNECTION

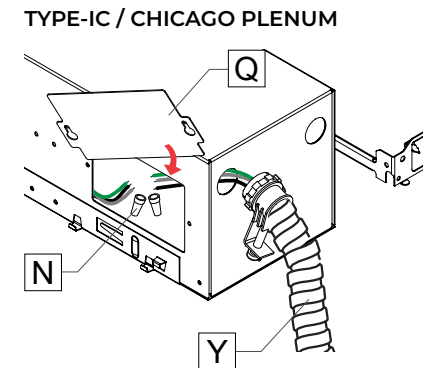
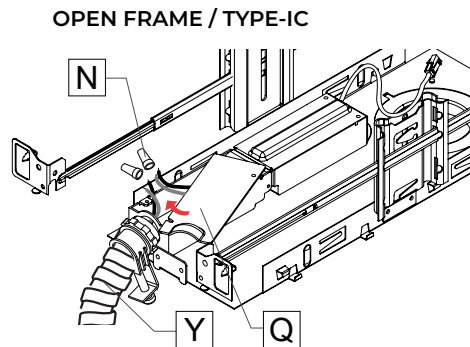
1 OPEN COVER.

Unfasten screw [X] and pivot the cover [Q]. For Type-IC and Chicago Plenum, remove screws to remove cover and access the wires.



2 DO ELECTRICAL CONNECTION.

Install BX cable [Y] and make the electrical connection with the marrettes [N]. Twist the cover [Q] back and close it all with the screws.



Note: Number of wires may vary.

For electrical connections, please refer to the [wiring diagram guide](#).



AERA 2

Downlights - Recessed Open Frame (OF), IC Rated (IC), Chicago Plenum (CP)

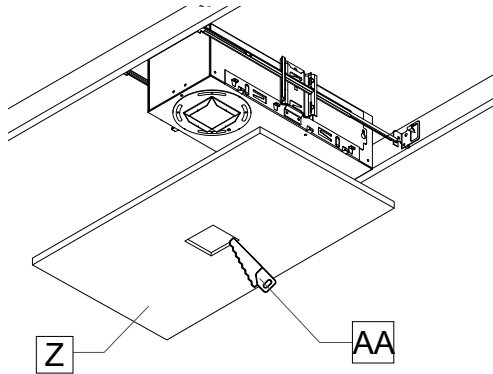


CEILING PREPARATION

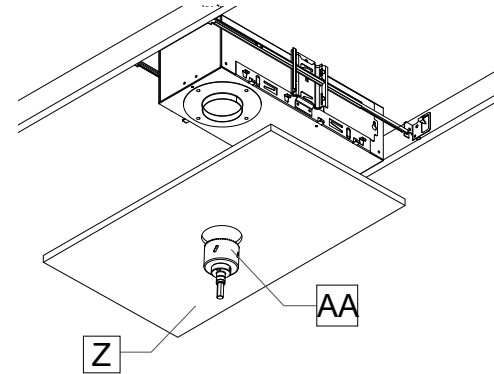
1 CEILING CUT-OUTS.

DRYWALL CEILING

Cut opening in drywall ceiling [Z] with drywall knife or router [AA].



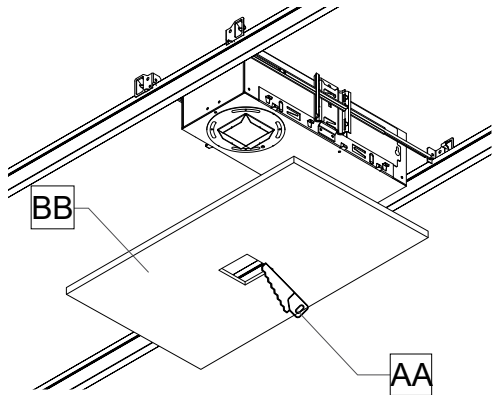
Square Opening
2" - 2 5/16" x 2 5/16"



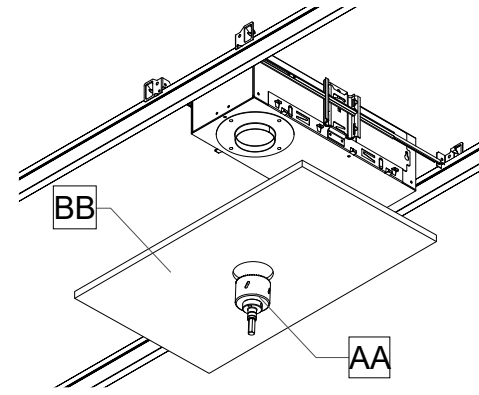
Round Opening
2" - Ø 2 1/2"

GRID CEILING

Cut opening in grid ceiling tile [BB] with knife or router [AA].



Square Opening
2" - 2 5/16" x 2 5/16"



Round Opening
2" - Ø 2 1/2"



AERA 2

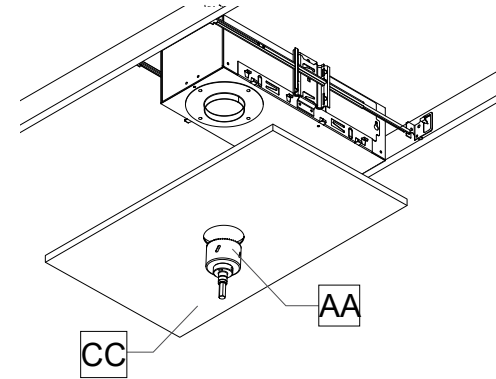
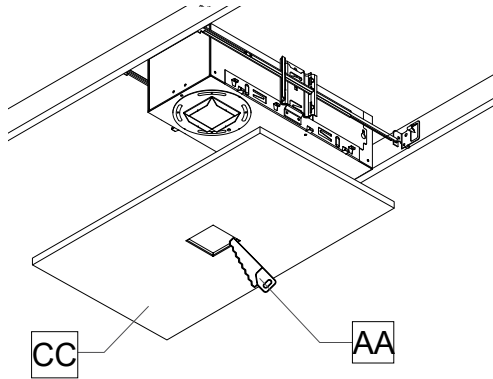
Downlights - Recessed Open Frame (OF), IC Rated (IC), Chicago Plenum (CP)



1 CEILING CUT-OUTS.

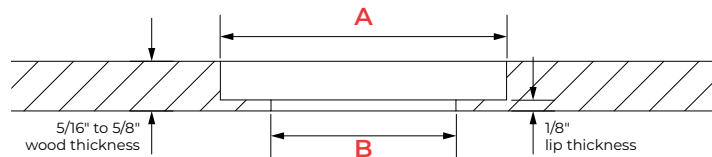
MILLWORK CEILING

Cut opening in wood ceiling [CC] with knife or router [AA].

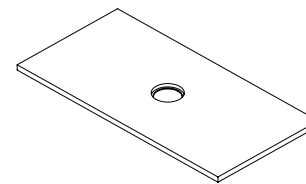


Follow the table for dimensions based on size and baffle shape.

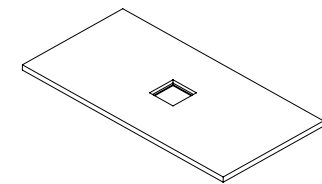
Note: The baffle opening is cut-through, but the collar opening is a step-hole that is at the back face of the ceiling.



BACK FACE OF CEILING



Round



Square

	A	B
	Collar Opening	Baffle Opening
2" Round	Ø 2 1/2"	Ø 2 1/16"
2" Square	2 1/2" x 2 1/2"	2 1/16" x 2 1/16"



AERA 2

Downlights - Recessed Open Frame (OF), IC Rated (IC), Chicago Plenum (CP)



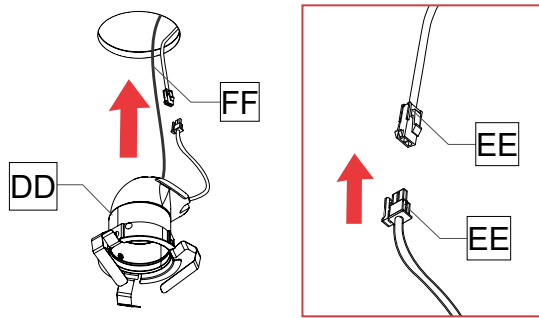
LIGHT ELEMENT & BAFFLE

1 INSTALL LIGHT ELEMENT.

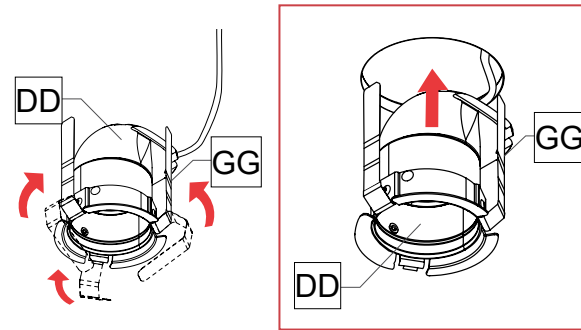
FLANGED TRIM

Bring the light element [DD] closer to the ceiling. Connect the light element [DD] to driver in housing with quick connectors [EE].

Attach the safety cable [FF] to a suitable point in the ceiling.



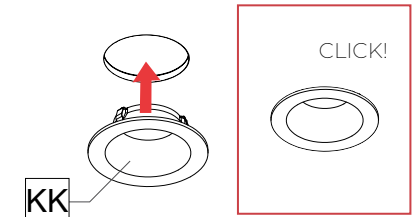
Squeeze spring clips [GG] upwards onto light element [DD]. Insert light element [DD] into housing until spring clips [GG] snap back inside the housing.



2 INSTALL BAFFLE.

FLANGED TRIM

Snap in baffles [KK] in place into ceiling opening until audible click is heard.

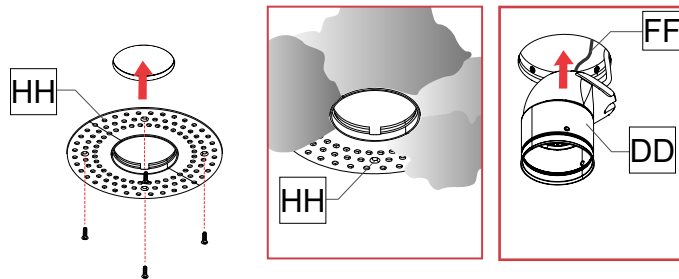


TRIMLESS DRYWALL MUDPLATE

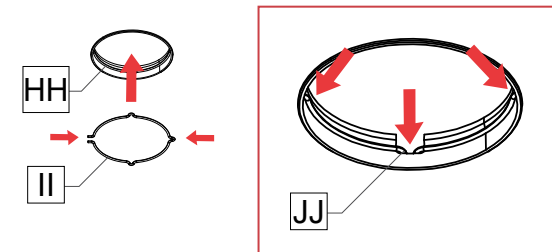
Attach mudplate [HH] to ceiling and screw onto ceiling. Plaster and sand over mudplate [HH]. Connect the light element [DD] to driver in housing with quick connectors.

Attach the safety cable [FF] to a suitable point in the ceiling.

Insert light element [DD] into opening in ceiling.

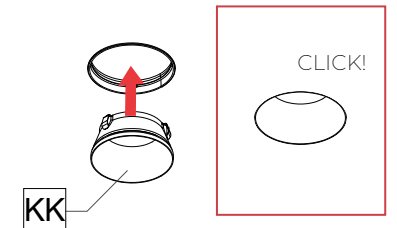


Squeeze spring ring [II] into the mudplate [HH] at the edge. Spring ring [II] will snap into the mudplate notches [JJ] around the mudplate edge.



TRIMLESS DRYWALL MUDPLATE

Snap in baffles [KK] in place into ceiling opening until audible click is heard.



AERA 2

Downlights - Recessed Open Frame (OF), IC Rated (IC), Chicago Plenum (CP)

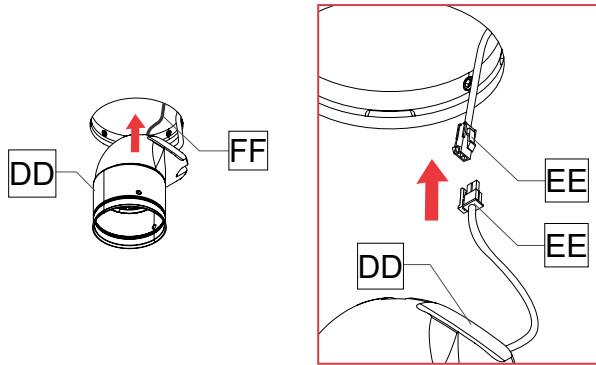


1 INSTALL LIGHT ELEMENT.

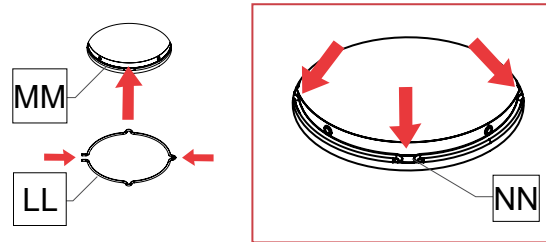
TRIMLESS MILLWORK

Connect the light element [DD] to driver in housing with quick connectors [EE] and install from below.

Attach the safety cable [FF] to a suitable point in the ceiling.



Squeeze spring ring [LL] into the millwork adapter [MM] to keep the light module in place. Spring ring [LL] will snap into the millwork adapter notches [NN] around the millwork adapter edge.

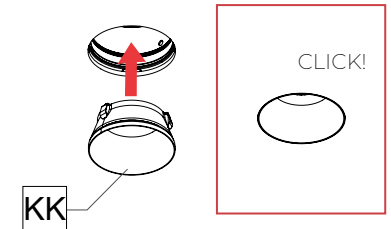


2 INSTALL BAFFLE.

TRIMLESS MILLWORK

Snap in baffles [KK] in place into ceiling opening until audible click is heard.

Note: Edge of the trim should be flush with the surface.




AERA 2

Downlights - Recessed Open Frame (OF), IC Rated (IC), Chicago Plenum (CP)



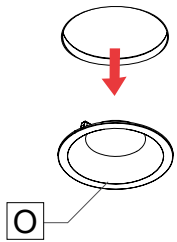
AERA 2 ADJUSTABLE - LIGHT ELEMENT ADJUSTMENT INSTRUCTIONS

 Shown with Aera round adjustable, but applies to Aera square adjustable also.

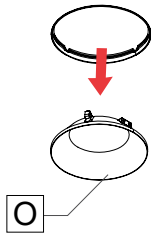
1 REMOVE BAFFLE.

Remove baffle [O] from ceiling.

FLANGED TRIM

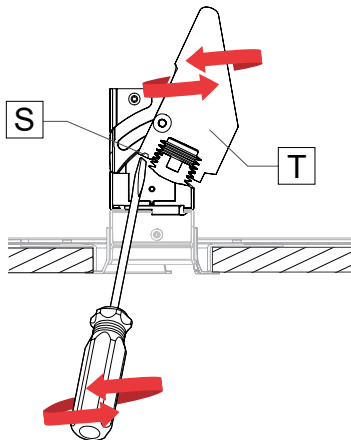


TRIMLESS MUDPLATE



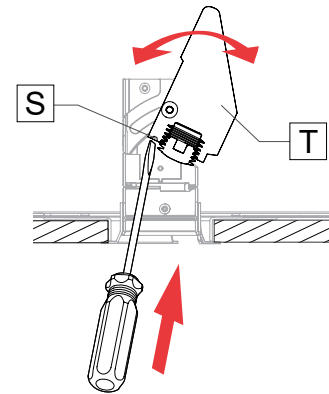
3 ROTATE OPTIC.

Place a flathead screwdriver in the small notch [S] to rotate the optic [T].



2 TILT OPTIC.

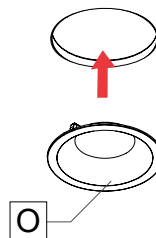
Place a flathead screwdriver in the small notch [S] and tilt the optic [T].



4 REINSTALL BAFFLE.

Snap in baffles [O] in place into ceiling opening until audible click is heard.

FLANGED TRIM



TRIMLESS MUDPLATE

