

AERA 3-4

Downlights - Recessed Open Frame (OF), IC Rated (IC), Chicago Plenum (CP)



! This product must be installed in accordance with the National Electrical Code and all applicable local codes, by a person familiar with the construction and operation of the product, and the hazards involved. Proper grounding is required for safety.

Ce produit doit être installé suivant le code national de l'électricité, ainsi que tous les codes locaux applicables, par une personne familière avec la construction et le fonctionnement du produit, ainsi que tous les risques qui y sont associés. La mise à terre électrique est obligatoire pour la sécurité.

! Wire dimming conductors as Class 1.

💡 Shown with 4" round adjustable fixture. Applicable to 3", and all types and shapes for 3" and 4".

OVERVIEW

! Warnings

Install per national installation and accident prevention regulations.

Clearance between sides of luminaire and parts of building must be 1/2" minimum; clearance to insulating materials to be 3" minimum, unless luminaires is IC rated.

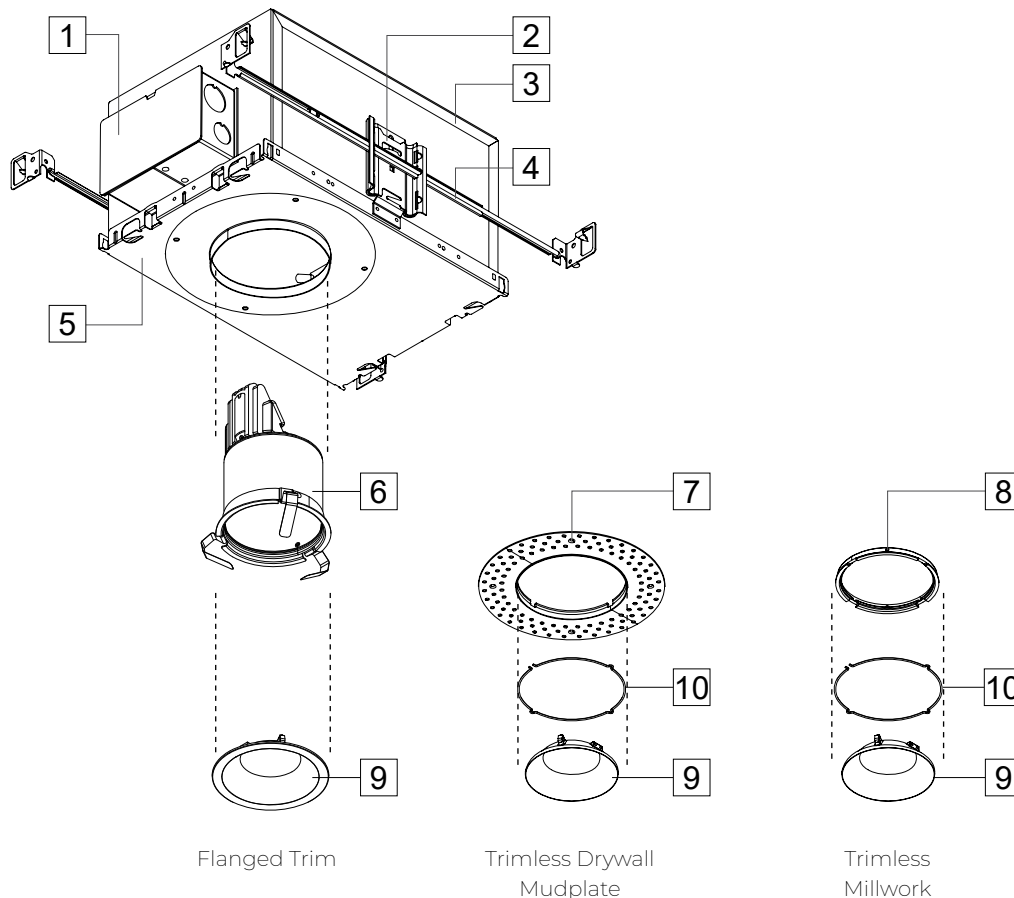
Fixtures must be installed in applications where the ambient temperature does not exceed 40° C during normal operation.

Do not connect or disconnect LED board wire connector when the fixture is energized. This may result in permanent damage to the LED array.

Warranty claims will not be accepted if incorrect driver or light element is used.

Do not cover the light element lens or heatsink with any materials or adhesive tapes.

💡 For remote driver box, please refer to the [remote driver installation sheet](#) for more information.



Index

Go to pages related to product configuration.

- Housing Installation.....[P.3](#)
- Electrical Connection.....[P.3](#)
- Ceiling Preparation.....[P.4](#)
- Light Element & Baffle.....[P.6](#)
- Light Element
- Adjustment ¹.....[P.8](#)
- Onboard emergency battery (DEB) ².....[P.9](#)

¹ For adjustable only.
² For Aera 4" only.

🔧 Tools Required

- Allen Key 1/16" ¹
- Adjustable Hole Cutter
- Drywall Knife ²
- Hammer

¹ For millwork adapter only.
² Or router.

Items List

- [1]** - Electrical Box
- [2]** - Butterfly Bracket
- [3]** - IC/CP Box
- [4]** - Hanger Bar
- [5]** - Mounting Frame
- [6]** - Light Element
- [7]** - Mudplate
- [8]** - Millwork Adapter
- [9]** - Baffle
- [10]** - Spring Ring



AERA 3-4

Downlights - Recessed Open Frame (OF), IC Rated (IC), Chicago Plenum (CP)



OVERVIEW - OPTIONS

INSTALLATION TYPES

3" Housing	4" Housing
<p>Open Frame</p>	<p>Open Frame Type Non-IC</p>
<p>IC Rated</p>	<p>IC Rated</p>
<p>Chicago Plenum Type-IC</p>	<p>Chicago Plenum Type-IC</p>

MOUNTING OPTIONS

Adjustable Standard Bar Hanger

Flush Mount Bars

Adjustable Commercial Bar Hanger

Adjustable Hat Channel Bars



AERA 3-4

Downlights - Recessed Open Frame (OF), IC Rated (IC), Chicago Plenum (CP)



INSTALL HOUSING SYSTEM

Install the housing by referring to the installation instructions in the [downlight mounting option guide](#) on our website.

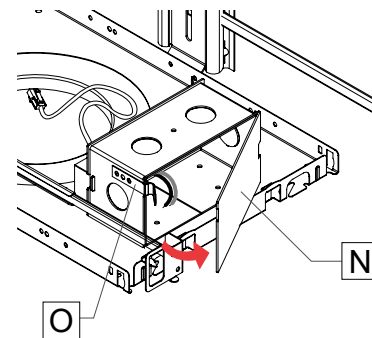


ELECTRICAL CONNECTION

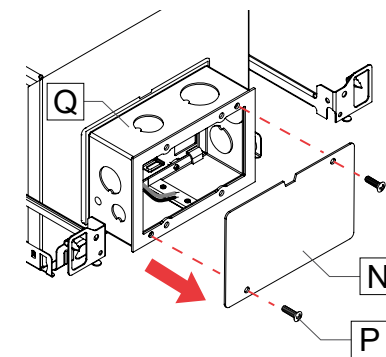
1 UNSNAP COVER.

Unsnap the cover [N] from the hook [O] and pivot the cover. For Chicago Plenum, remove screws [P] to access the electrical box [Q].

3" - 4" OPEN FRAME / TYPE-IC



3-4" CHICAGO PLENUM

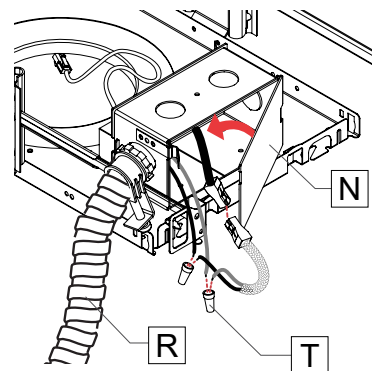


2 MAKE ELECTRICAL CONNECTIONS.

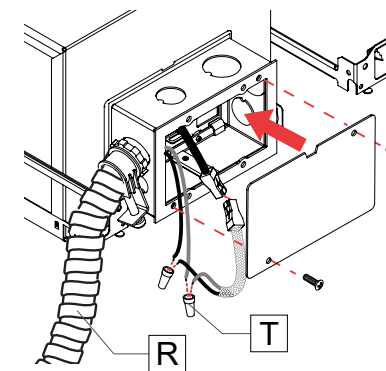
Install BX cable [R] to knockout and make the electrical connections between BX cable and quick connect cable with the marrettes [T]. Connect the main power to the driver using the quick connectors.

Snap the cover [N] back to finish.

3" - 4" OPEN FRAME / TYPE-IC



3-4" CHICAGO PLENUM



Note: Number of wires may vary.

For electrical connections, please refer to the [wiring diagram guide](#).



AERA 3-4

Downlights - Recessed Open Frame (OF), IC Rated (IC), Chicago Plenum (CP)

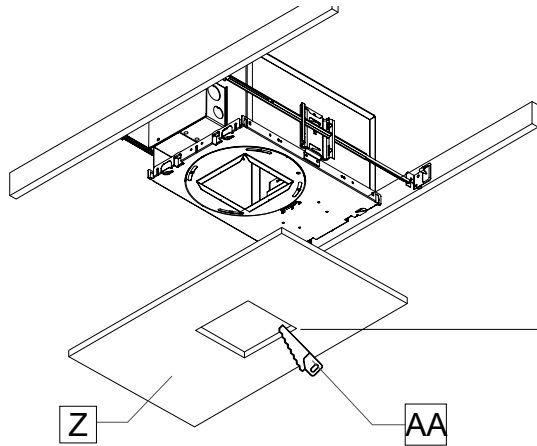


CEILING PREPARATION

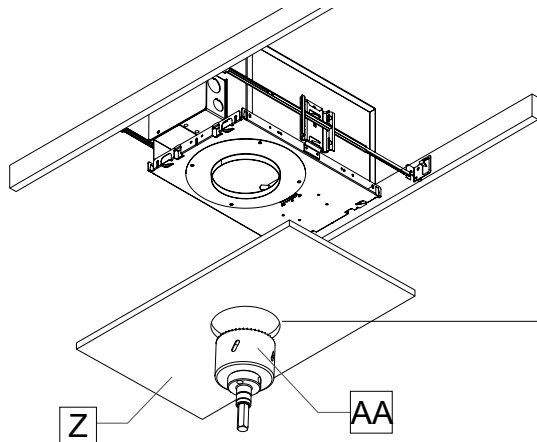
1 CEILING CUT-OUTS.

DRYWALL CEILING

Cut opening in drywall ceiling [Z] with drywall knife [AA].



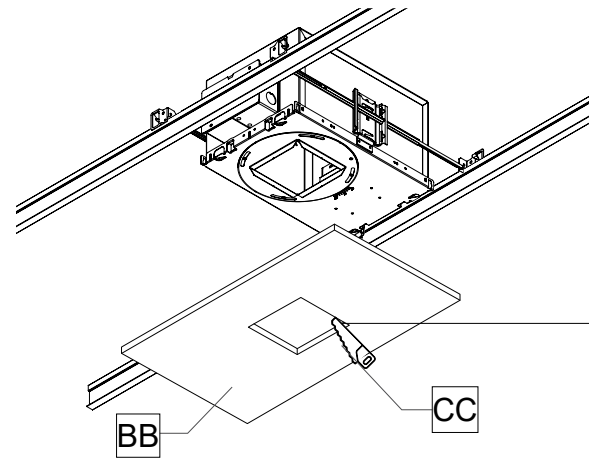
Square Opening
3" - 3 5/16" x 3 5/16"
4" - 4 5/16" x 4 5/16"



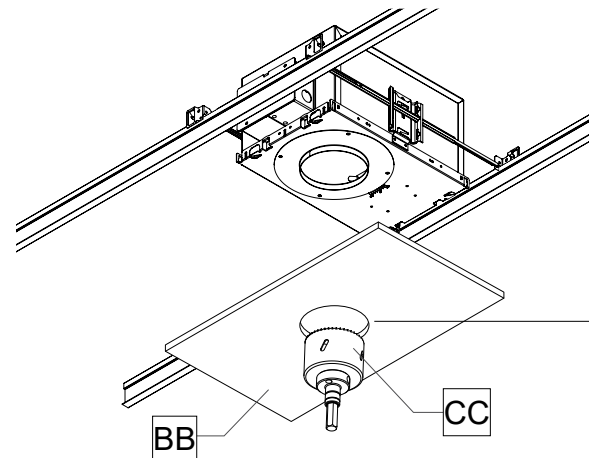
Round Opening
3" - Ø 3 1/2"
4" - Ø 4 1/2"

GRID CEILING

Cut opening in grid ceiling tile [BB] with router [CC].



Square Opening
3" - 3 5/16" x 3 5/16"
4" - 4 5/16" x 4 5/16"



Round Opening
3" - Ø 3 1/2"
4" - Ø 4 1/2"



AERA 3-4

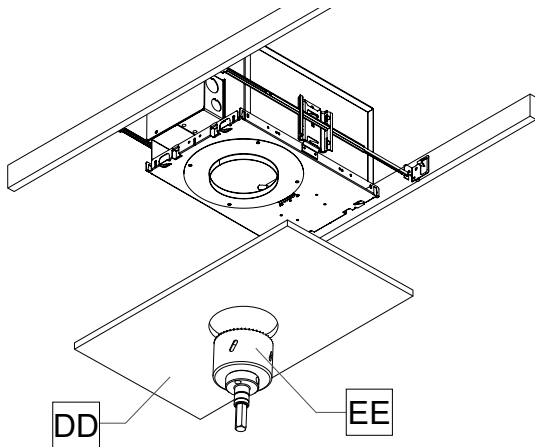
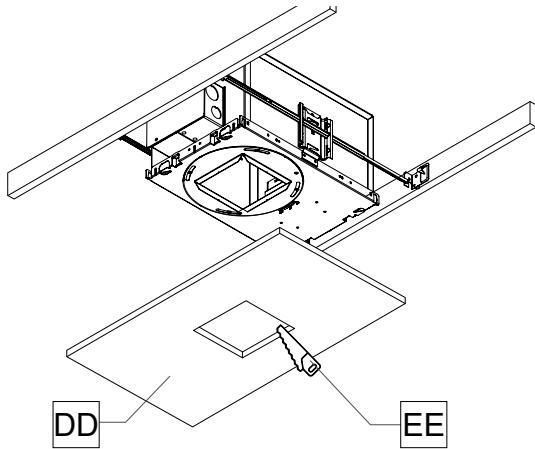
Downlights - Recessed Open Frame (OF), IC Rated (IC), Chicago Plenum (CP)



1 CEILING CUT-OUTS.

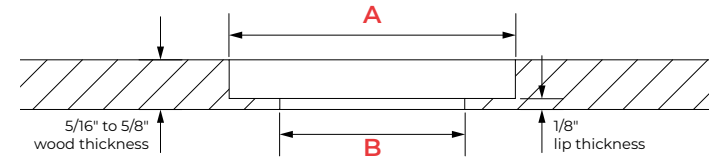
MILLWORK CEILING

Cut opening in wood ceiling [DD] with router [EE].



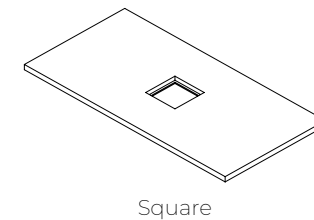
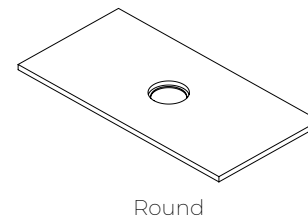
Follow the table for dimensions based on size and baffle shape.

Note: The baffle opening is cut-through, but the collar opening is a step-hole that is at the back face of the ceiling.



	A	B
	Collar Opening	Baffle Opening
3" Round	Ø 3 1/2"	Ø 3 1/16"
3" Square	3 1/2" x 3 1/2"	3 1/16" x 3 1/16"
4" Round	Ø 4 1/2"	Ø 4 1/16"
4" Square	4 1/2" x 4 1/2"	4 1/16" x 4 1/16"

BACK FACE OF CEILING



AERA 3-4

Downlights - Recessed Open Frame (OF), IC Rated (IC), Chicago Plenum (CP)



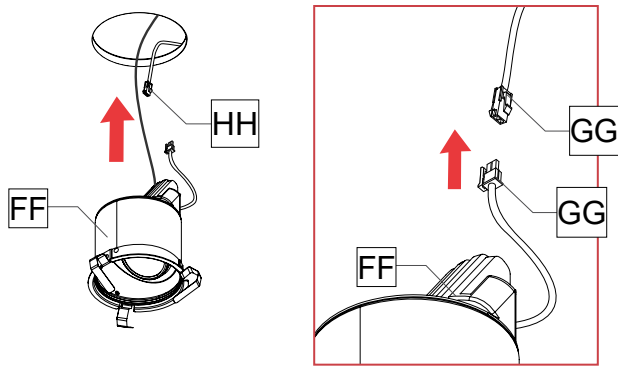
LIGHT ELEMENT & BAFFLE

1 INSTALL LIGHT ELEMENT.

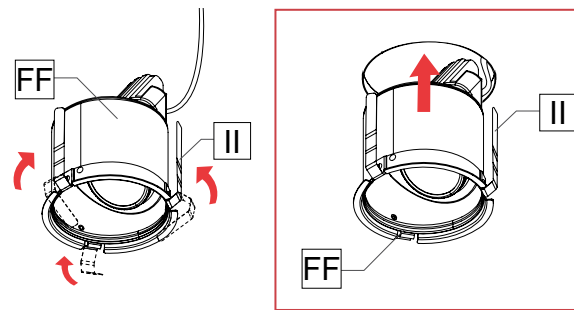
FLANGED TRIM

Bring the light element [FF] closer to the ceiling. Connect the light element [FF] to driver in housing with quick connectors [GG].

Attach the safety cable [HH] to a suitable point in the ceiling.



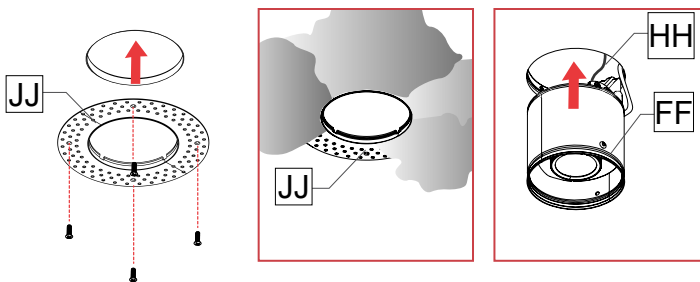
Squeeze spring clips [II] upwards onto light element [FF]. Insert light element [FF] into opening until spring clips [II] snap back above the ceiling in the housing.



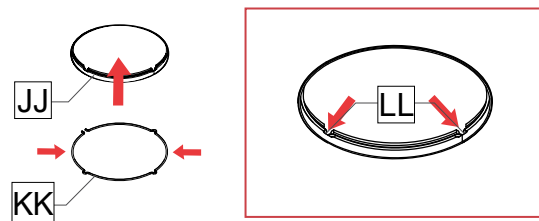
TRIMLESS DRYWALL MUDPLATE

Attach mudplate [JJ] to ceiling and screw onto ceiling. Plaster and sand over mudplate [JJ]. Insert light element [FF] into opening.

Attach the safety cable [HH] to a suitable point in the ceiling.



Squeeze spring ring [KK] into the mudplate [JJ] at the edge. Spring ring [KK] will snap into the mudplate notches [LL] around the mudplate edge.

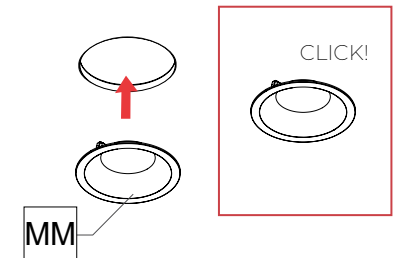


2 INSTALL BAFFLE.

FLANGED TRIM

Snap in baffles [MM] in place into ceiling opening until audible click is heard.

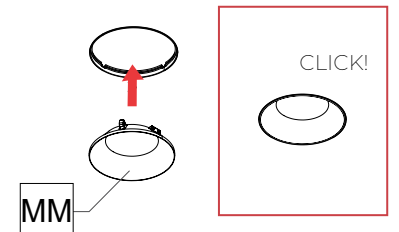
Note: Before installing baffle on adjustable models, see page 14 for light element adjustment instructions (if required).



TRIMLESS DRYWALL MUDPLATE

Snap in baffles [MM] in place into ceiling opening until audible click is heard.

Note: Before installing baffle on adjustable models, see page 14 for light element adjustment instructions (if required).



AERA 3-4

Downlights - Recessed Open Frame (OF), IC Rated (IC), Chicago Plenum (CP)

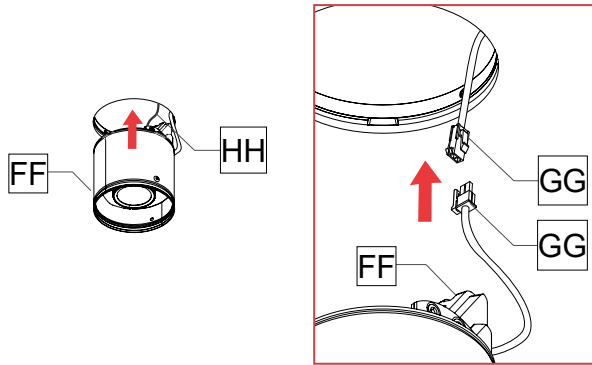


1 INSTALL LIGHT ELEMENT.

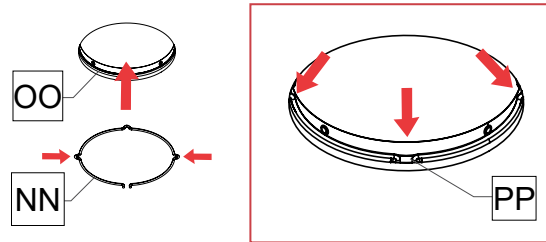
TRIMLESS MILLWORK

Connect the light element [FF] to driver in housing with quick connectors [GG] and install from below.

Attach the safety cable [HH] to a suitable point in the ceiling.



Squeeze spring ring [NN] into the millwork adapter [OO] to keep the light module in place. Spring ring [NN] will snap into the millwork adapter notches [PP] around the millwork adapter edge.



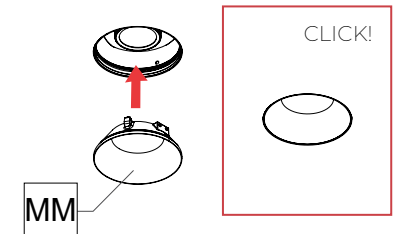
2 INSTALL BAFFLE.

TRIMLESS MILLWORK

Snap in baffles [MM] in place into ceiling opening until audible click is heard.

Note: Edge of the trim should be flush with the surface.

Note: Before installing baffle on adjustable models, see page 14 for light element adjustment instructions (if required).



AERA 3-4

Downlights - Recessed Open Frame (OF), IC Rated (IC), Chicago Plenum (CP)



AERA ADJUSTABLE - LIGHT ELEMENT ADJUSTMENT INSTRUCTIONS

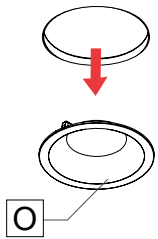


Shown with Aera round adjustable, but applies to Aera square adjustable also.

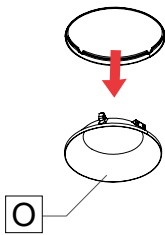
1 REMOVE BAFFLE.

Remove baffle [O] from ceiling.

FLANGED TRIM

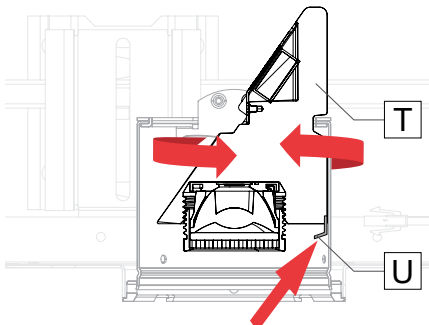


TRIMLESS MUDPLATE



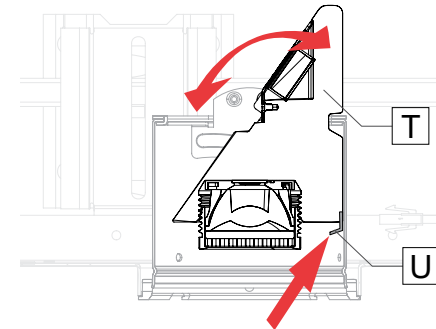
3 ROTATE OPTIC.

Use the tab [U] as leverage to rotate the optic [T].



2 TILT OPTIC.

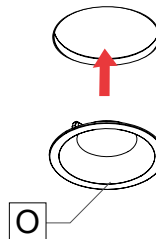
Push or pull the tab [U] to tilt the optic [T] into position.



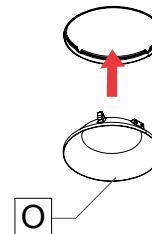
4 REINSTALL BAFFLE.

Snap in baffles [O] in place into ceiling opening until audible click is heard.

FLANGED TRIM



TRIMLESS MUDPLATE



AERA 3-4

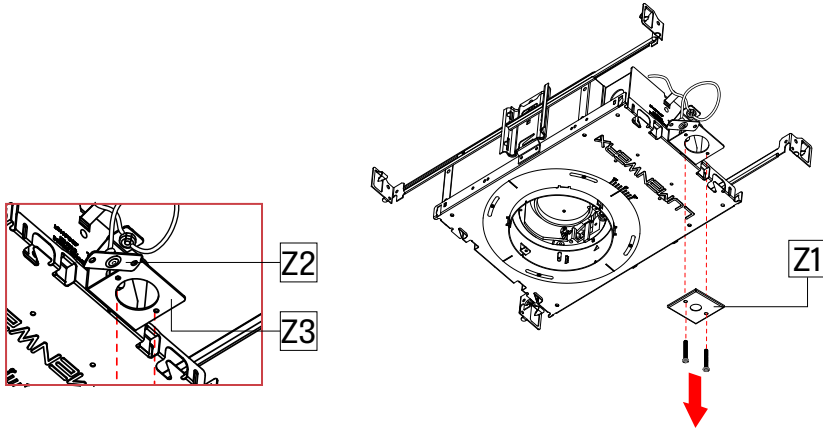
Downlights - Recessed Open Frame (OF), IC Rated (IC), Chicago Plenum (CP)



EMERGENCY BATTERY OPTION

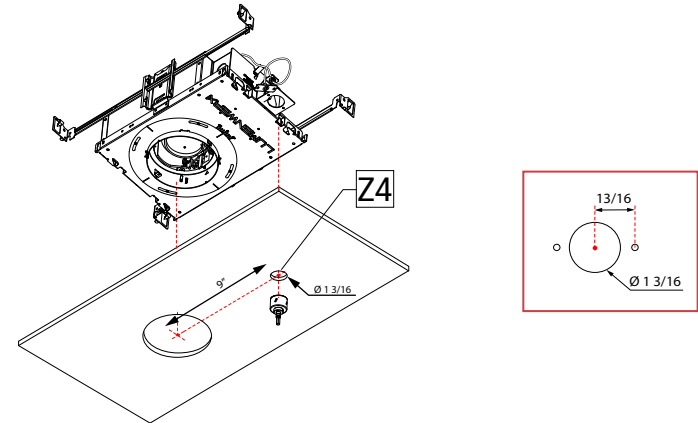
1 REMOVE COVER PLATE.

Unscrew cover plate [Z1]. Make sure the test switch bracket [Z2] is mounted on magnet [Z3] on the housing.



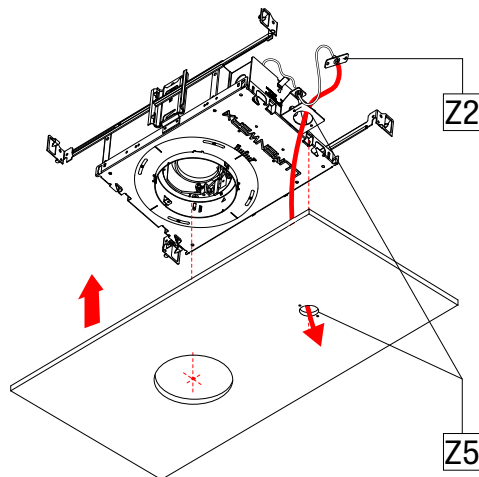
2 CEILING CUT-OUT.

Cut the ceiling with the adjustable hole saw ($\text{\O} 1\ 3/16''$) [Z4] or a drywall router. Follow standard instructions for other steps.



3 BRING TEST SWITCH BRACKET THROUGH HOLE.

Take the test switch bracket [Z2] off the magnet and pull it out of the holes [Z5].



4 INSTALL TEST SWITCH TO CEILING.

Screw cover plate [Z1] and test switch bracket [Z2] back after installing the ceiling panel.

