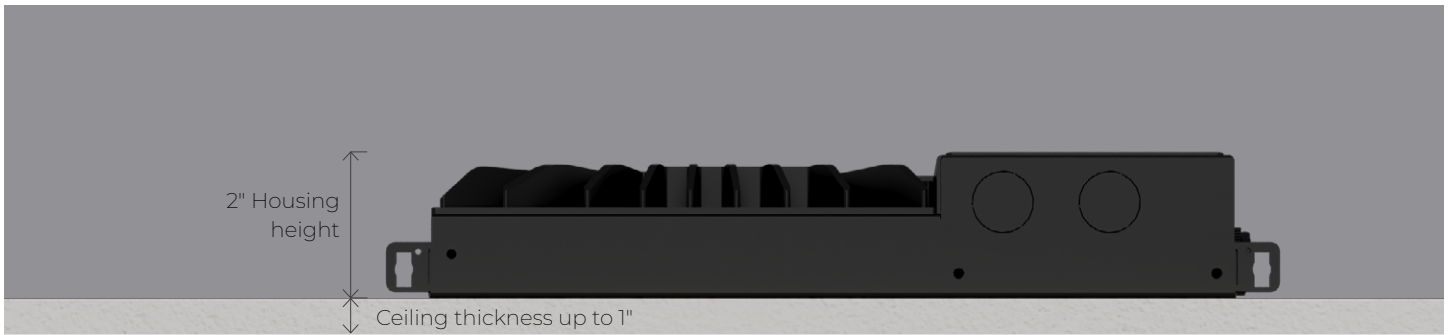


AERA SHALO 2"

RECESSED ADJUSTABLE



Flanged Trim



Trimless



Flanged Trim Cut Cone



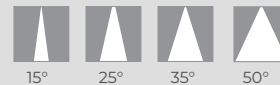
Trimless Cut Cone

Aera Shalo is a family of ultra-shallow downlights designed for spaces with limited plenum height. At only 2" deep, Aera Shalo delivers the same optical precision, visual comfort, and below-ceiling serviceability that define the Aera Collection. Available in 2", 3", and 4" apertures, it offers a consistent aesthetic across multiple mounting types and distributions.

The Aera Shalo Adjustable downlight allows precise aiming through a lockable tilt and rotation mechanism. Adjustments can be made quickly using a Phillips screwdriver, and beam quality remains consistent at every angle.



Beam Angles



Shapes



Round



Square

Light Source

Static White

SOLA

DUO

Full spectrum static white



Aera Shalo Brochure



AERA SHALO 2"

RECESSED ADJUSTABLE



Project: _____

Type: _____

Order Guide - Static White

For SOLA Dim-to-Warm and DUO Tunable White order guide, see page 3

LUMINAIRE ID ¹	TRIM STYLE	BAFFLE FINISH	TRIM FINISH Specify NA for trimless	LENS ³ At baffle
ASH2RRA - Aera Shalo 2" Round Recessed Adjustable ASH2SRA - Aera Shalo 2" Square Recessed Adjustable ¹ Fixed and Wall Wash also available. Consult other spec sheets.	TRM ² - Flanged trim TLMP ² - Trimless drywall mudplate TRMC ² - Flanged trim cut cone TLMPC ² - Trimless cut cone drywall mudplate ² 30° maximum tilt.	FTMW - Matte white FTMB - Matte black FSPC - Satin silver FSSPC - Matte silver FCHP - Champagne FDBZ - Dark bronze FPF - Primer finish CF# - Custom finish, specify RAL#	FTMW - Matte white FTMB - Matte black FSPC - Satin silver FSSPC - Matte silver FCHP - Champagne FDBZ - Dark bronze FPF - Primer finish CF# - Custom finish, specify RAL# NA - Not applicable	SDL - Soft diffused lens, Solite FDL - Frosted diffused lens CL - Clear lens NOL - No lens +WET ^{4,5} - Wet location ³ See page 4 for details. ⁴ Must be specified with the TRM or TRMC trim option, and either SDL, FDL, or CL lens option. ⁵ To specify, add +WET to the selected lens option, e.g. SDL+WET.

LIGHT SOURCE	BEAM	OPTICAL ACCESSORIES ⁷ At light element	CRI	COLOR TEMP.	VOLTAGE
SW ⁶ - Static white FS ⁶ - Full spectrum static white ⁶ 2-step	15DEG - 15° Narrow spot 25DEG - 25° Spot 35DEG - 35° Narrow flood 50DEG - 50° Wide flood	LSDL ⁸ - Soft diffused lens, Solite LFDL ⁸ - Frosted diffused lens LS ⁹ - Linear spread HEX ⁹ - Hex louver NA - None ⁷ See page 4 for details. ⁸ Only available with CL or NOL lens options. ⁹ Not available with 10 W.	<u>Static white</u> 80CRI - 80+ CRI 90CRI - 90+ CRI 95CRI - 95+ CRI <u>Full spectrum</u> 95CRI - 95+ CRI	24K ¹⁰ - 2400K 27K - 2700K 30K - 3000K 35K - 3500K 40K - 4000K 50K ¹⁰ - 5000K ¹⁰ Not available with 95+ CRI.	120V - 120V 277V - 277V UNV - 120V-277V 347V ¹¹ - 347V ¹¹ Available with RDI driver only. Please consult factory.

WATTAGE ¹²	DIMMING	REMOTE ¹⁵	INSTALLATION TYPE	MOUNTING OPTION ¹⁹
7W - 7 W output 10W ¹³ - 10 W output ¹² Lumen outputs are reduced with full spectrum, consult factory. ¹³ Not available with IC/CP.	INTEGRAL D1 - 1% 0-10V ELV ¹⁴ - ELV 120V TRI ¹⁴ - TRIAC 120V ELD1 - eldoLED 1% ECOdrive 0-10V ELDO - eldoLED 0.1% SOLOdrive 0-10V ¹⁴ Available with 120V only. ¹⁵ A remote driver box is provided. ¹⁶ On-site commissioning is required. ¹⁷ To specify, add +EB to the selected dimming option, e.g. RDI+EB.	RD1 - 1% 0-10V RELV ¹⁴ - ELV 120V RTRI ¹⁴ - TRIAC 120V RLDE1 ¹⁶ - Lutron Hi-lume 1% Eco RDA ¹⁶ - DALI RELD1 - eldoLED 1% ECOdrive 0-10V RELDO - eldoLED 0.1% SOLOdrive 0-10V +EB ¹⁷ - Emergency battery	IC - Type-IC NIC - Type Non-IC CP ¹⁸ - Chicago Plenum Type-IC (CCEA) ¹⁸ Consult factory for Chicago Plenum Type Non-IC for wattages up to 10 W.	2AB - 2" tall adjustable bar hangers FMB - Flush mount bars ASB6 - Adjustable standard bar hangers for 6" wide grid system ASB - Adjustable standard bar hangers ACB - Adjustable commercial bar hangers NA - No bar hangers ¹⁹ See page 7 for more details.



AERA SHALO 2"

RECESSED ADJUSTABLE



Project: _____

Type: _____

Order Guide - SOLA Dim-to-Warm and DUO Tunable White

For static white order guide, see page 2

LUMINAIRE ID ¹	TRIM STYLE	BAFFLE FINISH	TRIM FINISH Specify NA for trimless	LENS ³ At baffle
ASH2RRA - Aera Shalo 2" Round Recessed Adjustable ASH2SRA - Aera Shalo 2" Square Recessed Adjustable ¹ Fixed and Wall Wash also available. Consult other spec sheets.	TRM ² - Flanged trim TLMP ² - Trimless drywall mudplate TRMC ² - Flanged trim cut cone TLMPC ² - Trimless cut cone drywall mudplate ² 30° maximum tilt.	FTMW - Matte white FTMB - Matte black FSPC - Satin silver FSSPC - Matte silver FCHP - Champagne FDBZ - Dark bronze FPF - Primer finish CF# - Custom finish, specify RAL#	FTMW - Matte white FTMB - Matte black FSPC - Satin silver FSSPC - Matte silver FCHP - Champagne FDBZ - Dark bronze FPF - Primer finish CF# - Custom finish, specify RAL# NA - Not applicable	SDL - Soft diffused lens, Solite FDL - Frosted diffused lens CL - Clear lens NOL - No lens +WET ^{4,5} - Wet location ³ See page 4 for details. ⁴ Must be specified with the TRM or TRMC trim option, and either SDL, FDL, or CL lens option. ⁵ To specify, add +WET to the selected lens option, e.g. SDL+WET.

LIGHT SOURCE	BEAM	OPTICAL ACCESSORIES ⁷ At light element	CRI	COLOR TEMP.	VOLTAGE
SOLA ⁶ - Dim-to-warm single channel control DUO ⁶ - Tunable white 2-channel control ⁶ 3-step	25DEG - 25° Spot 35DEG - 35° Narrow flood 50DEG - 50° Wide flood	LSDL ⁸ - Soft diffused lens, Solite LFDL ⁸ - Frosted diffused lens LS ⁹ - Linear spread HEX ⁹ - Hex louver NA - None ⁷ See page 4 for details. ⁸ Only available with CL or NOL lens options. ⁹ Not available with 10 W.	90CRI 90CRI - 90+ CRI	SOLA 30K18K - 3000K to 1800K 27K18K - 2700K to 1800K DUO 65K27K - 6500K to 2700K 50K27K - 5000K to 2700K	120V - 120V 277V - 277V UNV - 120V-277V

WATTAGE	DIMMING	INSTALLATION TYPE	MOUNTING OPTION ¹⁴
SOLA 10W - 10 W output DUO 8W - 8 W output	INTEGRAL SOLA SD1 - Single 0-10V input SELV ¹⁰ - ELV 120V STRI ¹⁰ - TRIAC 120V DUO DD1 - Dual 0-10V input for CCT/intensity ¹⁰ Available with 120V only. ¹¹ A remote driver box is provided. ¹² On-site commissioning is required. ¹³ To specify, add +EB to the selected dimming option, e.g. RD1+EB.	REMOTE ¹¹ SOLA RSD1 - Single 0-10V input RSELV ¹⁰ - ELV 120V RSTRI ¹⁰ - TRIAC 120V DUO RDMX ¹² - DMX RDDA ¹² - DALI DT6 RDDA8 ¹² - DALI DT8 RDD1 - Dual 0-10V input for CCT/intensity RLD2 ¹² - Lutron DALI-2 digital +EB ¹³ - Emergency battery	NIC NIC - Type Non-IC 2AB - 2" tall adjustable bar hangers FMB - Flush mount bars ASB6 - Adjustable standard bar hangers for 6" wide grid system ASB - Adjustable standard bar hangers ACB - Adjustable commercial bar hangers NA - No bar hangers ¹⁴ See page 7 for more details.



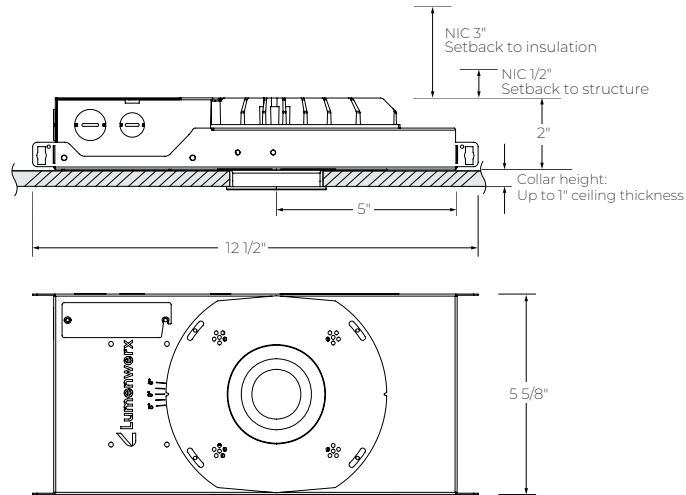
AERA SHALO 2"

RECESSED ADJUSTABLE



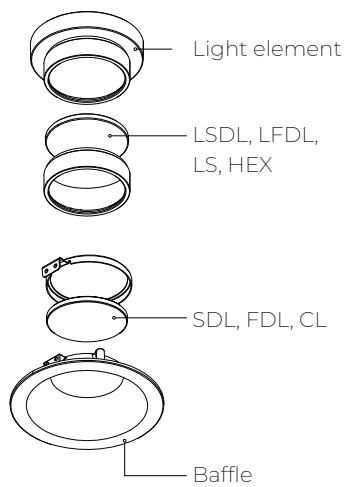
Housing Dimensions

Minimum plenum height - 2" (2AB, FMB, ASB6); 4 3/16" (ASB, ACB)



* Bar hangers are not shown in the drawing.

LENS AND ACCESSORIES



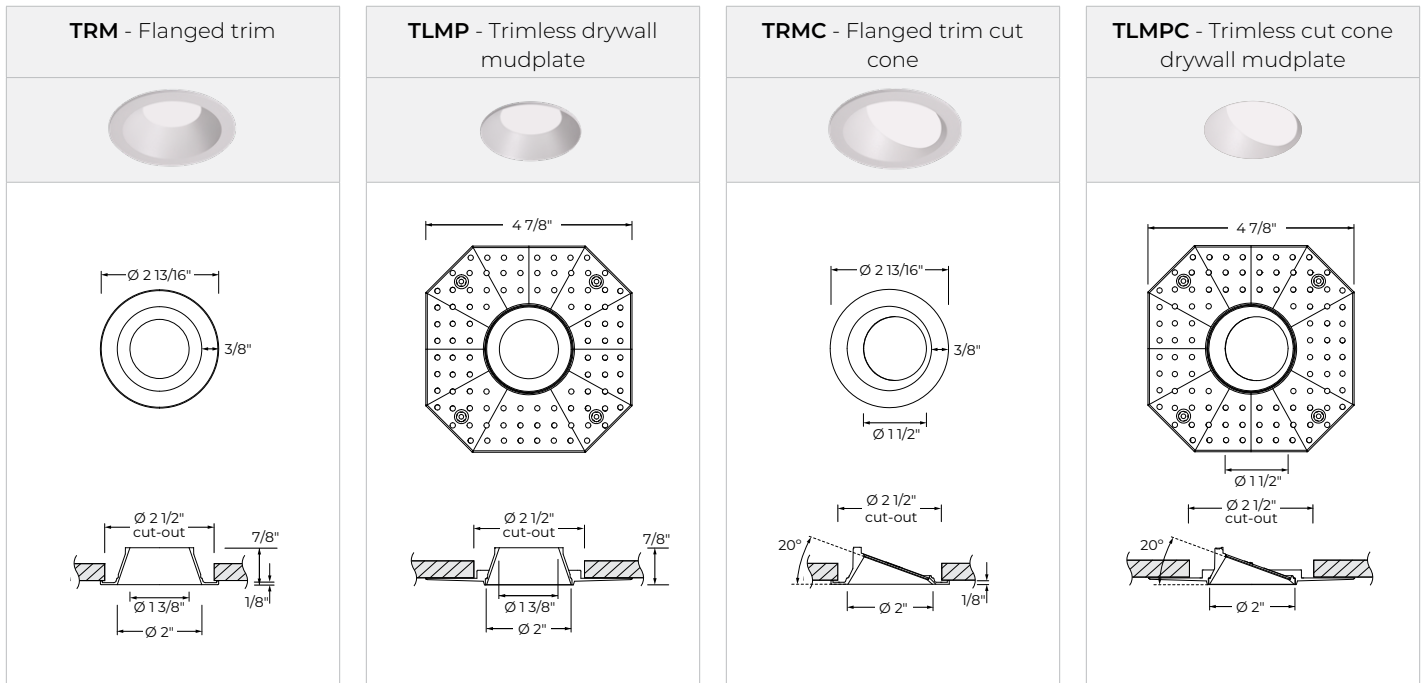
AERA SHALO 2"

RECESSED ADJUSTABLE

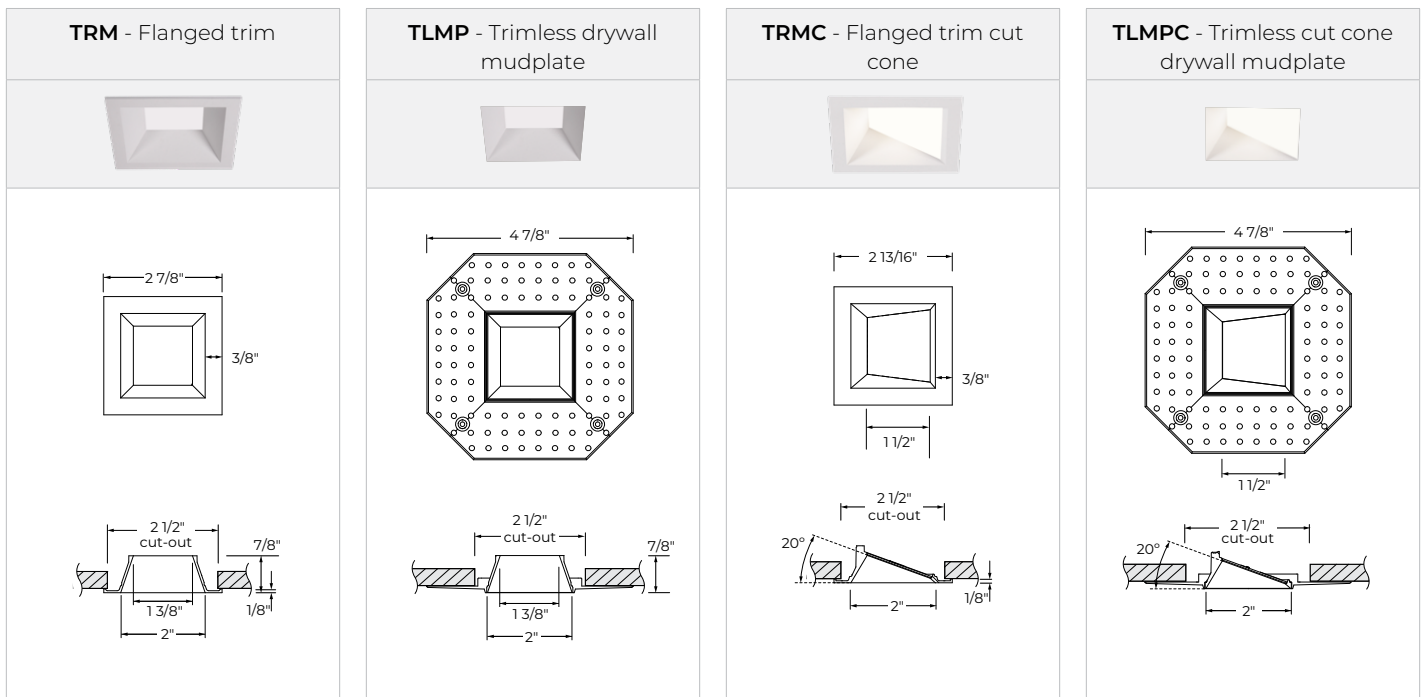


Trim Details

Round



Square

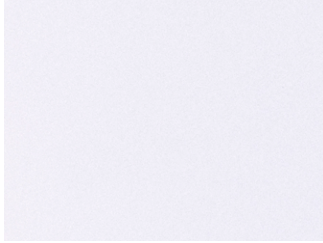


AERA SHALO 2"

RECESSED ADJUSTABLE



Finishes



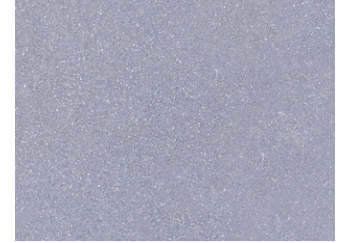
FTMW - Matte white



FTMB - Matte black



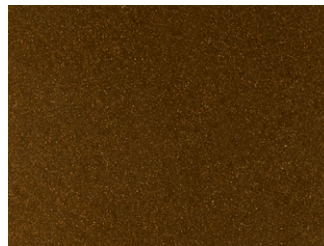
FSPC - Satin silver



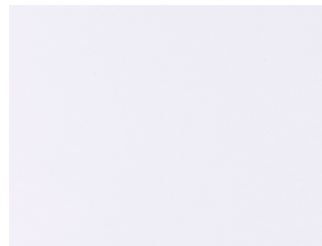
FSSPC - Matte silver



FCHP - Champagne



FDBZ - Dark bronze



FPF - Primer finish

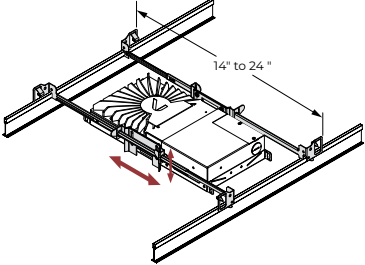
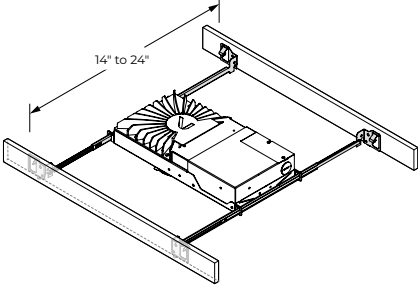
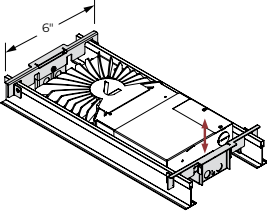
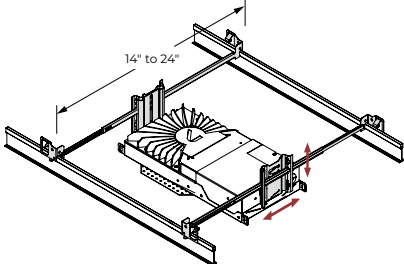
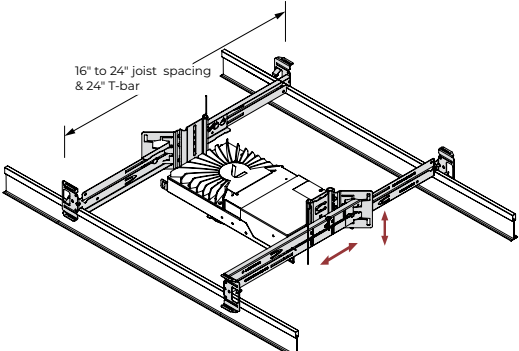
TRM - Flanged trim	TLMP - Trimless drywall mudplate
TRMC - Flanged trim cut cone	TLMPC - Trimless cut cone drywall mudplate
<p> Baffle finish Trim flange finish </p>	

AERA SHALO 2"

RECESSED ADJUSTABLE



Mounting Options

2AB - 2" tall Adjustable Bar Hangers	FMB - Flush Mount Bars
	
<ul style="list-style-type: none"> • Use in commercial and residential applications. • Suitable for grid ceiling and drywall mounting. • Adjustable to various heights. • Low profile adjustable bar hangers, as low as 2". • Joist spacing: 14" to 24". 	<ul style="list-style-type: none"> • Use in residential applications. • Suitable for wood, metal, and drywall mounting. • Joist spacing: 14" to 24".
ASB6 - Adjustable Standard Bar Hangers for 6" wide grid system	ASB - Adjustable Standard Bar Hangers
	
<ul style="list-style-type: none"> • Compatible with Techzone™ grid system. • Lockable and self centering in the grid. • Adjustable to various heights. • T-bar spacing: 6" 	<ul style="list-style-type: none"> • Use in commercial and residential applications. • Suitable for grid ceiling and drywall mounting. • Adjustable to various heights. • Joist spacing: 14" to 24".
ACB - Adjustable Commercial Bar Hangers	
	<ul style="list-style-type: none"> • Use in commercial and residential applications. • Suitable for grid ceiling, drywall, metal, wood, and frame mounting. • Adjustable to various heights. • Fits into C-channel notches in a butterfly bracket. • Joist spacing: 16" to 24". Extensions to 36" and 48" available, consult factory. • T-bar spacing: 24"

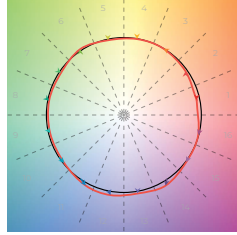
AERA SHALO 2^{II}

RECESSED ADJUSTABLE



Color Quality

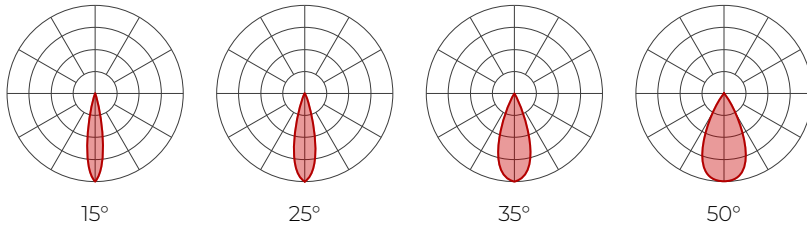
COLOR QUALITY - 3500K	
TM-30 R _r	91
TM-30 R _g	100
CRI	90+
R9	> 50



Photometrics

STATIC WHITE

Values calculated based on 3500K, 90+ CRI and SDL lens option.



Delivered lumens

CRI	90+ CRI			
	15°	25°	35°	50°
7 W	571	597	581	541
10 W	777	812	791	737

Efficacy

CRI	90+ CRI			
	15°	25°	35°	50°
7 W	82	85	83	77
10 W	78	81	79	74

MULTIPLIERS

Please follow the multiplier tables to ensure correct lumen value. CCT, CRI, lensing, accessories and baffle colour will change the lumen value.

CCT		CRI		BAFFLE FINISH		LENS At baffle		ACCESSORIES At light element	
2400K	0.87	80+ CRI	1	White	1	SDL - Soft diffused lens, Solite	1	LSDL - Soft diffused lens, Solite	1
2700K	0.94	90+ CRI	1	Black	0.92	FDL - Frosted lens	0.8	LFDL - Frosted lens	0.8
3000K	0.98	95+ CRI	0.77			CL - Clear lens	1.1	LS - Linear spread	0.84
3500K	1					NOL - No lens	1.1	HEX - Hex louver	0.86
4000K	1.05								
5000K	1.05								

For SOLA and DUO, please consult factory.

AERA SHALO 2"

RECESSED ADJUSTABLE



Technical Specifications

OPTIC

AeraBlend™ is an advanced optical design that delivers chromatic consistency and beam precision while ensuring flawless color mixing, uniform distribution, and visual comfort.

LIGHT SOURCE

Static white

Compact COB (Chip-On-Board) LED module, available in 2400K, 2700K, 3000K, 3500K, 4000K, and 5000K with a choice of 80+ CRI, 90+CRI, or 95+ CRI, with an elevated R9 value for 90+ CRI and above. Color consistency is maintained to within 2 SDCM. All LEDs have been tested in accordance with IESNA LM-80-08 and the results have shown L80 lumen maintenance greater than 60,000 hours. Absolute product photometry is measured and presented in accordance with IESNA LM-79, unless otherwise indicated.

Full spectrum static white

The full spectrum LED option offers improved color particularly in the cyan region that is beneficial in both healthcare and circadian lighting strategies. The cyan region in full spectrum LED is richer at the 480 nm range.

Chromawerx SOLA

Chromawerx SOLA is single-channel control that dims output while warming the color temperature in a pre-determined relationship. Two color temperature range options are offered: 3000K to 1800K, and 2700K to 1800K. A simple analog control adjusts a specially populated LED array to emulate the effect of dimming a filament source.

Chromawerx DUO

Chromawerx DUO offers a two-channel control system which uses analog or digital protocols for synchronous control of both cool to warm LED arrays - maintaining a CRI above 90. Two color temperature range options are offered: 6500K to 2700K, and 5000K to 2700K. The range of color DUO offers is useful for entraining circadian rhythms, stimulating alertness, and compensating for jet lag among other applications. The Chromawerx drivers are programmed to limit maximum light output and power usage across all color temperatures. When paired with DALI drivers (DDA/DDA8), color tuning follows a linear dimming curve.

ELECTRICAL

Unless otherwise specified, dimming down to 1%. At maximum driver load: efficiency>84%, PF>0.9, THD<20%. ELV and TRIAC dimming performance (including minimum dimming percentage) subject to dimmer selection.

Integral: 0-10V, ELV, TRIAC, DALI, eldoLED 0.1% SOLOdrive 0-10V, eldoLED 1% ECOdrive 0-10V

Remote: 0-10V, ELV, TRIAC, DALI, Lutron Hi-Lume 1% EcoSystem, eldoLED 0.1% SOLOdrive 0-10V, eldoLED 1% ECOdrive 0-10V, DMX, Lutron DALI-2 digital

Emergency battery options: Remotely-installed, long-life, high-temperature, maintenance-free, Bodine Lithium-Ion battery pack with self-test functionality, test switch and charge indicator. IOTA and Fulham options available upon request. Minimum of 90 minutes operation, and recharge time of 24 hours. For fixtures less than 10 W, the battery provides 6 W of emergency light output. For fixtures 10 W and over, the battery provides 10 W.

PoE

Depending on the PoE manufacturer selected, Lumenwerx will install the node in factory as either integral to the luminaire, or as a remote module. Factory programming of the PoE node may or may not enable the following functionalities: lumen package, DUO (tunable white), QUADRO (RGBW), emergency battery backup, and sensor integration. These must be addressed and evaluated on a case-by-case basis.

CONSTRUCTION

Housing: For new construction, 20 gauge powder coated steel. 18 gauge galvanized steel junction box with ½" trade size knockouts. Adjustable standard, 2" tall adjustable standard, adjustable standard for 6" wide grid system, flush mount, and adjustable commercial bar hangers are available as mounting options.

Ceiling thickness: Up to 1"

Light element: Light element uses CoreConnect™ Technology, a magnetic, wire-free system that enables fast, secure connection and complete field serviceability.

Adjustability: Up to 30° tilt and infinite rotation

Heat sink: Die-cast aluminum

Baffle: Die-cast aluminum

Trim style: Flanged trim, trimless with mudplate, flanged trim cut cone and cut cone trimless with mudplate

Finish: Matte white, matte black, satin silver, matte silver, champagne, dark bronze, and primer finish. Custom colors also available (provide RAL #). For the primer finish option, fixture must be turned off and the lens masked before applying paint.

WEIGHT

3.1 lbs - 1.4 kg

AERA SHALO 2"

RECESSED ADJUSTABLE



LENS AND ACCESSORIES



Soft diffused lens, Solite



Frosted diffused lens



Clear lens



Linear spread



Hex louver

ENVIRONMENT

Ambient temperature at fixture location shall be within 0°C/32°F - 25°C/77°F, indoor dry or damp as well as outdoor damp use (canopies or marquees).

CERTIFICATIONS

ETL: Rated for indoor dry/damp locations. Conforms to UL Standard 1598 and certified to CAN/CSA Standard C22.2 No. 250.0.

IP44: IP44 rated for bathrooms, showers, outdoor canopies, and marquees when specified with the wet location (WET) option.

Chicago Plenum: City of Chicago approved (CCEA) when specified with CP installation type option.

IC rated: Suitable for direct contact with insulation when specified with IC or CP installation type options.

WARRANTY

Lumenwerx provides a five-year limited warranty on electrical and mechanical performance of the luminaires, including the LED boards, drivers, and auxiliary electronics. Lumenwerx will repair or replace defective luminaires or components at our discretion, provided they have been installed and operated in accordance with our specifications. Other limitations apply, please refer to the full warranty on our website.