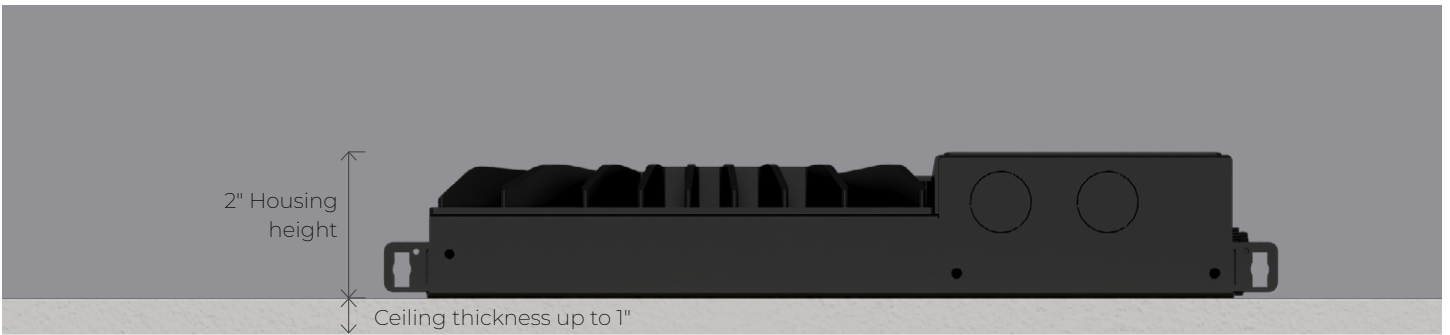


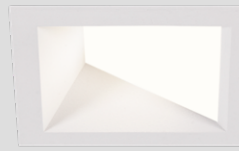
# AERA SHALO 2" RECESSED WALL WASH



Flanged Trim



Trimless



Flanged Trim

Aera Shalo is a family of ultra-shallow downlights designed for spaces with limited plenum height. At only 2" deep, Aera Shalo delivers the same optical precision, visual comfort, and below-ceiling serviceability that define the Aera Collection.

Available in 2", 3", and 4" apertures, it offers a consistent aesthetic across multiple mounting types and distributions.

The Aera Shalo Wall Wash downlight delivers smooth, uniform vertical illumination for perimeter and feature walls. Its purpose-built optic provides even distribution from ceiling to floor.

### Beam



Wall wash

### Shapes



Round



Square

### Light Source

Static White

SOLA

DUO

Full spectrum static white



Aera Shalo Brochure



# AERA SHALO 2"

## RECESSED WALL WASH



Project: \_\_\_\_\_

Type: \_\_\_\_\_

### Order Guide - Static White

For SOLA Dim-to-Warm and DUO Tunable White order guide, see page 3

LUMINAIRE ID <sup>1</sup>	TRIM STYLE	BAFFLE FINISH	TRIM FINISH Specify NA for trimless
<b>ASH2RRWW</b> - Aera Shalo 2" Round Recessed Wall Wash <b>ASH2SRWW</b> - Aera Shalo 2" Square Recessed Wall Wash  <sup>1</sup> Fixed and Adjustable also available. Consult other spec sheets.	<b>TRM</b> - Flanged trim <b>TLMP</b> - Trimless drywall mudplate	<b>FTMW</b> - Matte white <b>FTMB</b> - Matte black <b>FSPC</b> - Satin silver <b>FSSPC</b> - Matte silver <b>FCHP</b> - Champagne <b>FDBZ</b> - Dark bronze <b>PPF</b> - Primer finish <b>CF#</b> - Custom finish, specify RAL#	<b>FTMW</b> - Matte white <b>FTMB</b> - Matte black <b>FSPC</b> - Satin silver <b>FSSPC</b> - Matte silver <b>FCHP</b> - Champagne <b>FDBZ</b> - Dark bronze <b>PPF</b> - Primer finish <b>CF#</b> - Custom finish, specify RAL# <b>NA</b> - Not applicable

LIGHT SOURCE	BEAM	CRI	COLOR TEMP.	VOLTAGE	WATTAGE <sup>5</sup>
<b>SW</b> <sup>2</sup> - Static white <b>FS</b> <sup>2</sup> - Full spectrum static white  <sup>2</sup> 2-step	<b>WW</b> - Wall wash	<u>Static white</u> <b>80CRI</b> - 80+ CRI <b>90CRI</b> - 90+ CRI <b>95CRI</b> - 95+ CRI  <u>Full spectrum</u> <b>95CRI</b> - 95+ CRI	<b>24K</b> <sup>3</sup> - 2400K <b>27K</b> - 2700K <b>30K</b> - 3000K <b>35K</b> - 3500K <b>40K</b> - 4000K <b>50K</b> <sup>3</sup> - 5000K  <sup>3</sup> Not available with 95+ CRI.	<b>120V</b> - 120V <b>277V</b> - 277V <b>UNV</b> - 120V-277V <b>347V</b> <sup>4</sup> - 347V  <sup>4</sup> Available with RD1 driver only. Please consult factory.	<b>7W</b> - 7 W output <b>10W</b> <sup>6</sup> - 10 W output  <sup>5</sup> Lumen outputs are reduced with full spectrum, consult factory. <sup>6</sup> Not available with IC/CP.

DIMMING	INSTALLATION TYPE	MOUNTING OPTION <sup>12</sup>
<b>INTEGRAL</b>  <b>D1</b> - 1% 0-10V <b>ELV</b> <sup>7</sup> - ELV 120V <b>TRI</b> <sup>7</sup> - TRIAC 120V <b>ELD1</b> - eldoLED 1% ECOdrive 0-10V <b>ELD0</b> - eldoLED 0.1% SOLOdrive 0-10V  <sup>7</sup> Available with 120V only <sup>8</sup> A remote driver box is provided. <sup>9</sup> On-site commissioning is required. <sup>10</sup> To specify, add +EB to the selected dimming option, e.g. RD1+EB.	<b>REMOTE</b> <sup>8</sup>  <b>RD1</b> - 1% 0-10V <b>RELV</b> <sup>7</sup> - ELV 120V <b>RTRI</b> <sup>7</sup> - TRIAC 120V <b>RLDE1</b> <sup>9</sup> - Lutron Hi-Lume 1% Eco <b>RDA</b> <sup>9</sup> - DALI <b>RELD1</b> - eldoLED 1% ECOdrive 0-10V <b>RELD0</b> - eldoLED 0.1% SOLOdrive 0-10V <b>+EB</b> <sup>10</sup> - Emergency battery	<b>IC</b> - Type-IC <b>NIC</b> - Type Non-IC <b>CP</b> <sup>11</sup> - Chicago Plenum Type-IC (CCEA)  <sup>11</sup> Consult factory for Chicago Plenum Type Non-IC for wattages up to 10 W.

**2AB** - 2" tall adjustable bar hangers  
**FMB** - Flush mount bars  
**ASB6** - Adjustable standard bar hangers for 6" wide grid system  
**ASB** - Adjustable standard bar hangers  
**ACB** - Adjustable commercial bar hangers  
**NA** - No bar hangers  
  
<sup>12</sup> See page 6 for more details.



# AERA SHALO 2"

## RECESSED WALL WASH



Project: \_\_\_\_\_

Type: \_\_\_\_\_

### Order Guide - SOLA Dim-to-Warm and DUO Tunable White

For static white order guide, see page 2

LUMINAIRE ID <sup>1</sup>	TRIM STYLE	BAFFLE FINISH	TRIM FINISH Specify NA for trimless
<b>ASH2RRWW</b> - Aera Shalo 2" Round Recessed Wall Wash <b>ASH2SRWW</b> - Aera Shalo 2" Square Recessed Wall Wash  <sup>1</sup> Fixed and Adjustable also available. Consult other spec sheets.	<b>TRM</b> - Flanged trim <b>TLMP</b> - Trimless drywall mudplate	<b>FTMW</b> - Matte white <b>FTMB</b> - Matte black <b>FSPC</b> - Satin silver <b>FSSPC</b> - Matte silver <b>FCHP</b> - Champagne <b>FDBZ</b> - Dark bronze <b>FPF</b> - Primer finish <b>CF#</b> - Custom finish, specify RAL#	<b>FTMW</b> - Matte white <b>FTMB</b> - Matte black <b>FSPC</b> - Satin silver <b>FSSPC</b> - Matte silver <b>FCHP</b> - Champagne <b>FDBZ</b> - Dark bronze <b>FPF</b> - Primer finish <b>CF#</b> - Custom finish, specify RAL# <b>NA</b> - Not applicable

LIGHT SOURCE	BEAM	CRI	COLOR TEMP.	VOLTAGE	WATTAGE
<b>SOLA</b> <sup>2</sup> - Dim-to-warm single channel control <b>DUO</b> <sup>2</sup> - Tunable white 2-channel control  <sup>2</sup> 3-step	<b>WW</b> - Wall wash	<b>90CRI</b> - 90+ CRI	<u>SOLA</u> <b>30K18K</b> - 3000K to 1800K <b>27K18K</b> - 2700K to 1800K  <u>DUO</u> <b>65K27K</b> - 6500K to 2700K <b>50K27K</b> - 5000K to 2700K	<b>120V</b> - 120V <b>277V</b> - 277V <b>UNV</b> - 120V-277V	<u>SOLA</u> <b>10W</b> - 10 W output  <u>DUO</u> <b>8W</b> - 8 W output

DIMMING	INSTALLATION TYPE	MOUNTING OPTION <sup>7</sup>
<b>INTEGRAL</b>  <u>SOLA</u> <b>SD1</b> - Single 0-10V input <b>SELV</b> <sup>3</sup> - ELV 120V <b>STRI</b> <sup>3</sup> - TRIAC 120V  <u>DUO</u> <b>DD1</b> - Dual 0-10V input for CCT/intensity	<b>REMOTE</b> <sup>4</sup>  <u>SOLA</u> <b>RSD1</b> - Single 0-10V input <b>RSELV</b> <sup>3</sup> - ELV 120V <b>RSTRI</b> <sup>3</sup> - TRIAC 120V  <u>DUO</u> <b>RDMX</b> <sup>5</sup> - DMX <b>RDDA</b> <sup>5</sup> - DALI DT6 <b>RDDA8</b> <sup>5</sup> - DALI DT8 <b>RDD1</b> - Dual 0-10V input for CCT/intensity <b>RLD2</b> <sup>5</sup> - Lutron DALI-2 digital <b>+EB</b> <sup>6</sup> - Emergency battery	<b>NIC</b> - Type Non-IC  <b>2AB</b> - 2" tall adjustable bar hangers <b>FMB</b> - Flush mount bars <b>ASB6</b> - Adjustable standard bar hangers for 6" wide grid system <b>ASB</b> - Adjustable standard bar hangers <b>ACB</b> - Adjustable commercial bar hangers <b>NA</b> - No bar hangers  <sup>7</sup> See page 6 for more details.

<sup>3</sup>Available with 120V only.

<sup>4</sup>A remote driver box is provided.

<sup>5</sup>On-site commissioning is required.

<sup>6</sup>To specify, add +EB to the selected dimming option, e.g. RD1+EB.



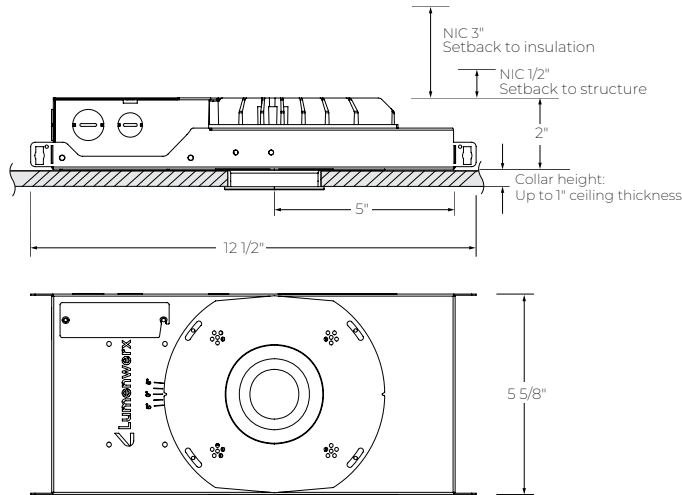
# AERA SHALO 2"

## RECESSED WALL WASH



### Housing Dimensions

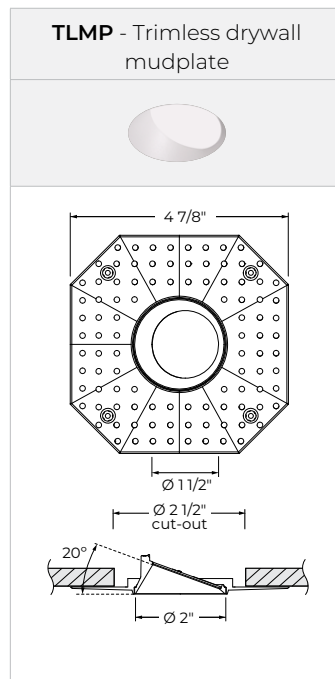
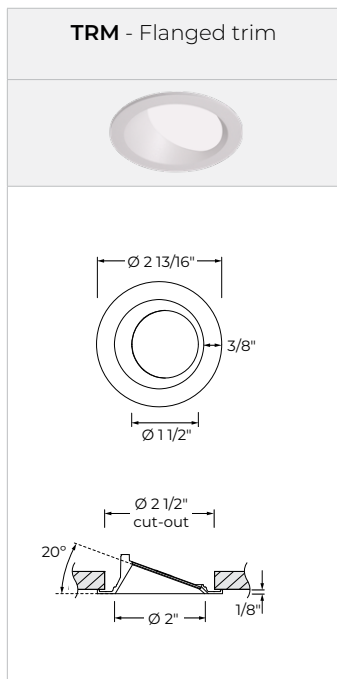
Minimum plenum height - 2" (2AB, FMB, ASB6); 4 3/16" (ASB, ACB)



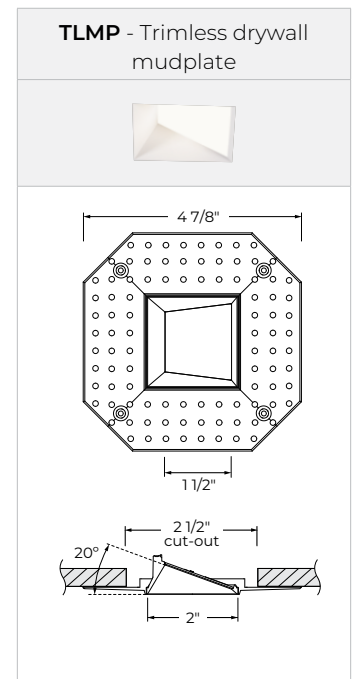
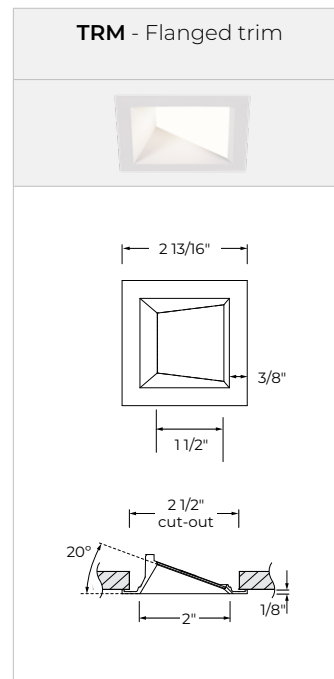
\* Bar hangers are not shown in the drawing.

### Trim Details

#### Round



#### Square

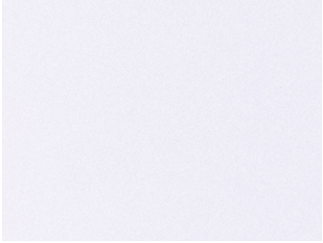


# AERA SHALO 2"

## RECESSED WALL WASH



### Finishes



**FTMW** - Matte white



**FTMB** - Matte black



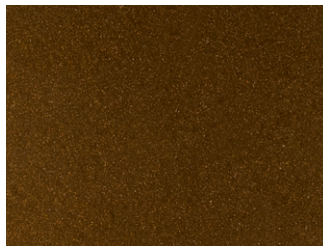
**FSPC** - Satin silver



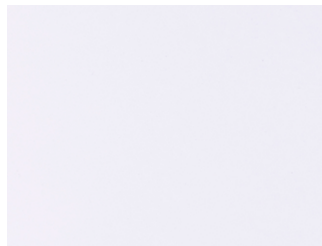
**FSSPC** - Matte silver



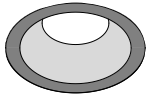

**FCHP** - Champagne



**FDBZ** - Dark bronze



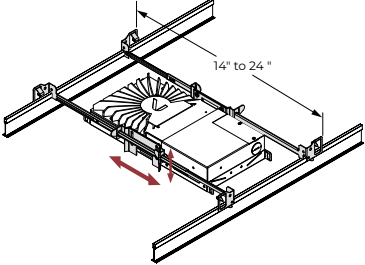
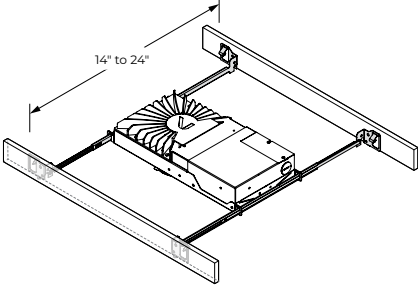
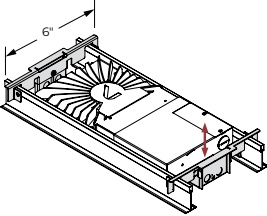
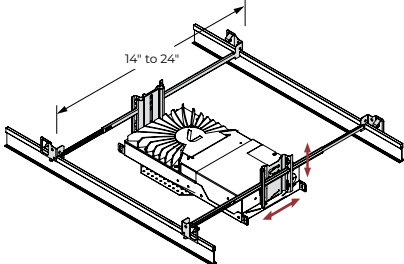
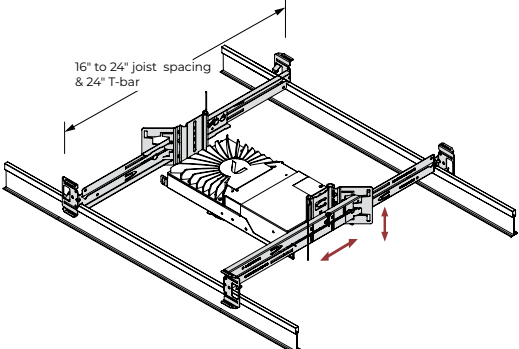
**FPF** - Primer finish

TRM - Flanged trim	TLMP - Trimless drywall mudplate
	
<p> <span style="display: inline-block; width: 15px; height: 10px; background-color: #d3d3d3; border: 1px solid #000; margin-right: 5px;"></span> Baffle finish  <span style="display: inline-block; width: 15px; height: 10px; background-color: #666; border: 1px solid #000; margin-right: 5px;"></span> Trim flange finish         </p>	

# AERA SHALO 2" RECESSED WALL WASH



## Mounting Options

2AB - 2" tall Adjustable Bar Hangers	FMB - Flush Mount Bars
	
<ul style="list-style-type: none"> <li>• Use in commercial and residential applications.</li> <li>• Suitable for grid ceiling and drywall mounting.</li> <li>• Adjustable to various heights.</li> <li>• Low profile adjustable bar hangers, as low as 2".</li> <li>• Joist spacing: 14" to 24".</li> </ul>	<ul style="list-style-type: none"> <li>• Use in residential applications.</li> <li>• Suitable for wood, metal, and drywall mounting.</li> <li>• Joist spacing: 14" to 24".</li> </ul>
ASB6 - Adjustable Standard Bar Hangers for 6" wide grid system	ASB - Adjustable Standard Bar Hangers
	
<ul style="list-style-type: none"> <li>• Compatible with Techzone™ grid system.</li> <li>• Lockable and self centering in the grid.</li> <li>• Adjustable to various heights.</li> <li>• T-bar spacing: 6"</li> </ul>	<ul style="list-style-type: none"> <li>• Use in commercial and residential applications.</li> <li>• Suitable for grid ceiling and drywall mounting.</li> <li>• Adjustable to various heights.</li> <li>• Joist spacing: 14" to 24".</li> </ul>
ACB - Adjustable Commercial Bar Hangers	
	<ul style="list-style-type: none"> <li>• Use in commercial and residential applications.</li> <li>• Suitable for grid ceiling, drywall, metal, wood, and frame mounting.</li> <li>• Adjustable to various heights.</li> <li>• Fits into C-channel notches in a butterfly bracket.</li> <li>• Joist spacing: 16" to 24". Extensions to 36" and 48" available, consult factory.</li> <li>• T-bar spacing: 24"</li> </ul>

# AERA SHALO 2"

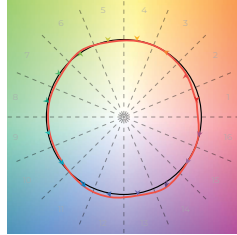
## RECESSED WALL WASH



### Color Quality

#### COLOR QUALITY - 3500K

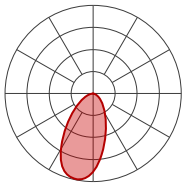
TM-30 Rr	91
TM-30 Ra	100
CRI	90+
R9	> 50



### Photometrics

#### STATIC WHITE

Values calculated based on 3500K and 90+ CRI option.



W	LM	LM/W
7 W	390	56
10 W	530	53

#### MULTIPLIERS

Please follow the multiplier tables to ensure correct lumen value. CCT, CRI and baffle colour will change the lumen value.

CCT		CRI		BAFFLE FINISH	
2400K	0.87	80+ CRI	1	White	1
2700K	0.94	90+ CRI	1	Black	0.92
3000K	0.98	95+ CRI	0.77		
3500K	1				
4000K	1.05				
5000K	1.05				

For SOLA and DUO, please consult factory.

# AERA SHALO 2"

## RECESSED WALL WASH



### Technical Specifications

#### OPTIC

AeraBlend™ is an advanced optical design that delivers chromatic consistency and beam precision while ensuring flawless color mixing, uniform distribution, and visual comfort.

#### LIGHT SOURCE

##### Static white

Compact COB (Chip-On-Board) LED module, available in 2400K, 2700K, 3000K, 3500K, 4000K, and 5000K with a choice of 80+ CRI, 90+CRI, or 95+ CRI, with an elevated R9 value for 90+ CRI and above. Color consistency is maintained to within 2 SDCM. All LEDs have been tested in accordance with IESNA LM-80-08 and the results have shown L80 lumen maintenance greater than 60,000 hours. Absolute product photometry is measured and presented in accordance with IESNA LM-79, unless otherwise indicated.

##### Full spectrum static white

The full spectrum LED option offers improved color particularly in the cyan region that is beneficial in both healthcare and circadian lighting strategies. The cyan region in full spectrum LED is richer at the 480 nm range.

##### Chromawerx SOLA

Chromawerx SOLA is single-channel control that dims output while warming the color temperature in a pre-determined relationship. Two color temperature range options are offered: 3000K to 1800K, and 2700K to 1800K. A simple analog control adjusts a specially populated LED array to emulate the effect of dimming a filament source.

##### Chromawerx DUO

Chromawerx DUO offers a two-channel control system which uses analog or digital protocols for synchronous control of both cool to warm LED arrays - maintaining a CRI above 90. Two color temperature range options are offered: 6500K to 2700K, and 5000K to 2700K. The range of color DUO offers is useful for entraining circadian rhythms, stimulating alertness, and compensating for jet lag among other applications. The Chromawerx drivers are programmed to limit maximum light output and power usage across all color temperatures. When paired with DALI drivers (DDA/DDA8), color tuning follows a linear dimming curve.

#### ELECTRICAL

Unless otherwise specified, dimming down to 1%. At maximum driver load: efficiency>84%, PF>0.9, THD<20%. ELV and TRIAC dimming performance (including minimum dimming percentage) subject to dimmer selection.

**Integral:** 0-10V, ELV, TRIAC, DALI, eldoLED 0.1% SOLOdrive 0-10V, eldoLED 1% ECOdrive 0-10V

**Remote:** 0-10V, ELV, TRIAC, DALI, Lutron Hi-Lume 1% EcoSystem, eldoLED 0.1% SOLOdrive 0-10V, eldoLED 1% ECOdrive 0-10V, DMX, Lutron DALI-2 digital

**Emergency battery options:** Remotely-installed, long-life, high-temperature, maintenance-free, Bodine Lithium-Ion battery pack with self-test functionality, test switch and charge indicator. IOTA and Fulham options available upon request. Minimum of 90 minutes operation, and recharge time of 24 hours. For fixtures less than 10 W, the battery provides 6 W of emergency light output. For fixtures 10 W and over, the battery provides 10 W.

#### PoE

Depending on the PoE manufacturer selected, Lumenwerx will install the node in factory as either integral to the luminaire, or as a remote module. Factory programming of the PoE node may or may not enable the following functionalities: lumen package, DUO (tunable white), QUADRO (RGBW), emergency battery backup, and sensor integration. These must be addressed and evaluated on a case-by-case basis.

#### CONSTRUCTION

**Housing:** For new construction, 20 gauge powder coated steel. 18 gauge galvanized steel junction box with ½" trade size knockouts. Adjustable standard, 2" tall adjustable standard, adjustable standard for 6" wide grid system, flush mount, and adjustable commercial bar hangers are available as mounting options.

**Ceiling thickness:** Up to 1"

**Light element:** Light element uses CoreConnect™ Technology, a magnetic, wire-free system that enables fast, secure connection and complete field serviceability.

**Heat sink:** Die-cast aluminum

**Baffle:** Die-cast aluminum

**Trim style:** Flanged trim, trimless with mudplate

**Finish:** Matte white, matte black, satin silver, matte silver, champagne, dark bronze, and primer finish. Custom colors also available (provide RAL #). For the primer finish option, fixture must be turned off and the lens masked before applying paint.

#### WEIGHT

3.1 lbs - 1.4 kg

#### ENVIRONMENT

Ambient temperature at fixture location shall be within 0°C/32°F - 25°C/77°F, indoor dry or damp as well as outdoor damp use (canopies or marquees).

# AERA SHALO 2"

## RECESSED WALL WASH



### CERTIFICATIONS

**ETL:** Rated for indoor dry/damp locations. Conforms to UL Standard 1598 and certified to CAN/CSA Standard C22.2 No. 250.0.

**Chicago Plenum:** City of Chicago approved (CCEA) when specified with CP installation type option.

**IC rated:** Suitable for direct contact with insulation when specified with IC or CP installation type options.

### WARRANTY

Lumenwerx provides a five-year limited warranty on electrical and mechanical performance of the luminaires, including the LED boards, drivers, and auxiliary electronics. Lumenwerx will repair or replace defective luminaires or components at our discretion, provided they have been installed and operated in accordance with our specifications. Other limitations apply, please refer to the full warranty on our website.