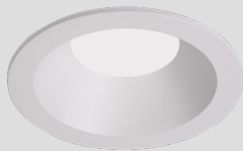
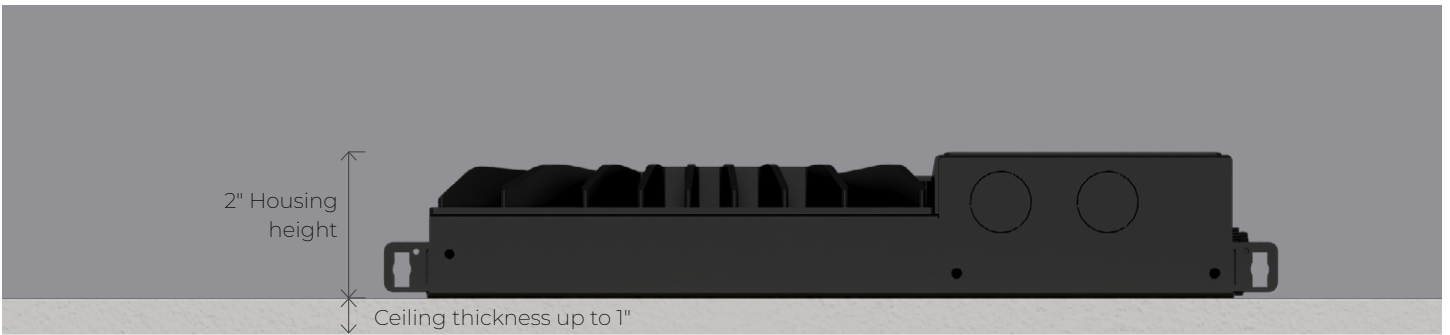
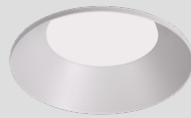


# AERA SHALO 3" RECESSED



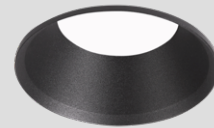
**Flanged Trim**  
Available for 0.5" ceiling thickness



**Trimless**  
Available for 0.5" ceiling thickness



**Flanged Trim Deep**



**Trimless Deep**

Aera Shalo is a family of ultra-shallow downlights designed for spaces with limited plenum height. At only 2" deep, Aera Shalo delivers the same optical precision, visual comfort, and below-ceiling serviceability that define the Aera Collection. Available in 2", 3", and 4" apertures, it offers a consistent aesthetic across multiple mounting types and distributions.

The Aera Shalo Fixed downlight provides uniform general illumination with excellent glare control. Its engineered optical system ensures consistent light quality and beam performance.

### Beam Angles



### Shapes



### Light Source



### Performance

LUMEN OUTPUT <sup>1</sup>	WATTS	EFFICACY
1060 lm	10 W	106 lm/W
1427 lm	14 W	102 lm/W
1875 lm	20 W	94 lm/W

<sup>1</sup>Values based on 3500K, 90+ CRI, and 25° beam.



Aera Shalo Brochure



# AERA SHALO 3"

## RECESSED



Project: \_\_\_\_\_

Type: \_\_\_\_\_

## Order Guide - Static White

For SOLA Dim-to-Warm and DUO Tunable White order guide, see page 3

LUMINAIRE ID <sup>1</sup>	TRIM STYLE	BAFFLE FINISH	TRIM FINISH Specify NA for trimless	LENS <sup>2</sup> At baffle	LIGHT SOURCE
<b>ASH3RR</b> - Aera Shalo 3" Round Recessed <b>ASH3SR</b> - Aera Shalo 3" Square Recessed  <sup>1</sup> Adjustable and Wall Wash also available. Consult other spec sheets.	<b>TRM</b> - Flanged trim <b>TLMP</b> - Trimless drywall mudplate <b>TRMD</b> - Deep flanged trim <b>TLMPD</b> - Deep trimless drywall mudplate	<b>FTMW</b> - Matte white <b>FTMB</b> - Matte black <b>FSPC</b> - Satin silver <b>FSSPC</b> - Matte silver <b>FCHP</b> - Champagne <b>FDBZ</b> - Dark bronze <b>PPF</b> - Primer finish <b>CF#</b> - Custom finish, specify RAL#	<b>FTMW</b> - Matte white <b>FTMB</b> - Matte black <b>FSPC</b> - Satin silver <b>FSSPC</b> - Matte silver <b>FCHP</b> - Champagne <b>FDBZ</b> - Dark bronze <b>PPF</b> - Primer finish <b>CF#</b> - Custom finish, specify RAL# <b>NA</b> - Not applicable	<b>SDL</b> - Soft diffused lens, Solite <b>FDL</b> - Frosted diffused lens <b>CL</b> - Clear lens <b>NOL</b> - No lens <b>+WET</b> <sup>3,4</sup> - Wet location  <sup>2</sup> See page 4 for details. <sup>3</sup> Must be specified with the TRM or TRMD trim option, and either SDL, FDL, or CL lens option. <sup>4</sup> To specify, add +WET to the selected lens option, e.g. SDL+WET.	<b>SW</b> <sup>5</sup> - Static white <b>FS</b> <sup>5</sup> - Full spectrum static white  <sup>5</sup> 2-step

BEAM	OPTICAL ACCESSORIES <sup>6</sup> At light element	CRI	COLOR TEMP.	VOLTAGE	WATTAGE <sup>12</sup>
<b>15DEG</b> - 15° Narrow spot <b>25DEG</b> - 25° Spot <b>35DEG</b> - 35° Narrow flood <b>50DEG</b> - 50° Wide flood <b>80DEG</b> - 80° Very wide flood	<b>LSDL</b> <sup>7</sup> - Soft diffused lens, Solite <b>LFDL</b> <sup>7</sup> - Frosted diffused lens <b>LS</b> <sup>8</sup> - Linear spread <b>HEX</b> <sup>8,9</sup> - Hex louver <b>NA</b> - None  <sup>6</sup> See page 4 for details. <sup>7</sup> Only available with CL or NOL lens options. <sup>8</sup> Not available with 20 W. <sup>9</sup> Not available with 80° beam option.	<u>Static white</u> <b>80CRI</b> - 80+ CRI <b>90CRI</b> - 90+ CRI <b>95CRI</b> - 95+ CRI  <u>Full spectrum</u> <b>95CRI</b> - 95+ CRI	<b>24K</b> <sup>10</sup> - 2400K <b>27K</b> - 2700K <b>30K</b> - 3000K <b>35K</b> - 3500K <b>40K</b> - 4000K <b>50K</b> <sup>10</sup> - 5000K  <sup>10</sup> Not available with 95+ CRI.	<b>120V</b> - 120V <b>277V</b> - 277V <b>UNV</b> - 120V-277V <b>347V</b> <sup>11</sup> - 347V  <sup>11</sup> Available with RD1 driver only. Please consult factory.	<b>10W</b> - 10 W output, up to 1060 lm <b>14W</b> <sup>13</sup> - 14 W output, up to 1427 lm <b>20W</b> <sup>13,14</sup> - 20 W output, up to 1875 lm  <sup>12</sup> Lumen outputs are reduced with full spectrum, consult factory. <sup>13</sup> Not available with IC/CP. <sup>14</sup> Not available with 95+ CRI.

DIMMING	INSTALLATION TYPE	MOUNTING OPTION <sup>20</sup>	OPTION	
<b>INTEGRAL</b>  <b>DI</b> - 1% 0-10V <b>ELV</b> <sup>15</sup> - ELV 120V <b>TRI</b> <sup>15</sup> - TRIAC 120V <b>DA</b> <sup>16</sup> - DALI <b>ELD1</b> - eldoLED 1% ECOdrive 0-10V <b>ELDO</b> - eldoLED 0.1% SOLOdrive 0-10V  <sup>15</sup> Available with 120V only <sup>16</sup> On-site commissioning is required. <sup>17</sup> A remote driver box is provided. <sup>18</sup> To specify, add +EB to the selected dimming option, e.g. RD1+EB.	<b>REMOTE</b> <sup>17</sup>  <b>RD1</b> - 1% 0-10V <b>RELV</b> <sup>15</sup> - ELV 120V <b>RTRI</b> <sup>15</sup> - TRIAC 120V <b>RLDE1</b> <sup>16</sup> - Lutron Hi-lume 1% Eco <b>RDA</b> <sup>16</sup> - DALI <b>RELD1</b> - eldoLED 1% ECOdrive 0-10V <b>RELDO</b> - eldoLED 0.1% SOLOdrive 0-10V <b>+EB</b> <sup>18</sup> - Emergency battery	<b>IC</b> - Type-IC <b>NIC</b> - Type Non-IC <b>CP</b> <sup>19</sup> - Chicago Plenum Type-IC (CCEA)  <sup>19</sup> Consult factory for Chicago Plenum Type Non-IC for wattages up to 20 W.	<b>2AB</b> - 2" tall adjustable bar hangers <b>FMB</b> - Flush mount bars <b>ASB6</b> - Adjustable standard bar hangers for 6" wide grid system <b>ASB</b> - Adjustable standard bar hangers <b>ACB</b> - Adjustable commercial bar hangers <b>NA</b> - No bar hangers  <sup>20</sup> See page 7 for more details.	<b>05IN</b> <sup>21,22</sup> - 0.5" ceiling thickness <b>NA</b> - None  <sup>21</sup> Standard collar height is suitable for up to 1" ceiling thickness. Select up to 0.5" ceiling thickness for restrained spaces. <sup>22</sup> Only available with TRM and TLMP trim style options.



# AERA SHALO 3"

## RECESSED



Project: \_\_\_\_\_

Type: \_\_\_\_\_

### Order Guide - SOLA Dim-to-Warm and DUO Tunable White

For static white order guide, see page 2

LUMINAIRE ID <sup>1</sup>	TRIM STYLE	BAFFLE FINISH	TRIM FINISH Specify NA for trimless	LENS <sup>2</sup> At baffle	LIGHT SOURCE
<b>ASH3RR</b> - Aera Shalo 3" Round Recessed <b>ASH3SR</b> - Aera Shalo 3" Square Recessed  <sup>1</sup> Adjustable and Wall Wash also available. Consult other spec sheets.	<b>TRM</b> - Flanged trim <b>TLMP</b> - Trimless drywall mudplate <b>TRMD</b> - Deep flanged trim <b>TLMPD</b> - Deep trimless drywall mudplate	<b>FTMW</b> - Matte white <b>FTMB</b> - Matte black <b>FSPC</b> - Satin silver <b>FSSPC</b> - Matte silver <b>FCHP</b> - Champagne <b>FDBZ</b> - Dark bronze <b>FPF</b> - Primer finish <b>CF#</b> - Custom finish, specify RAL#	<b>FTMW</b> - Matte white <b>FTMB</b> - Matte black <b>FSPC</b> - Satin silver <b>FSSPC</b> - Matte silver <b>FCHP</b> - Champagne <b>FDBZ</b> - Dark bronze <b>FPF</b> - Primer finish <b>CF#</b> - Custom finish, specify RAL# <b>NA</b> - Not applicable	<b>SDL</b> - Soft diffused lens, Solite <b>FDL</b> - Frosted diffused lens <b>CL</b> - Clear lens <b>NOL</b> - No lens <b>+WET<sup>3,4</sup></b> - Wet location  <sup>2</sup> See page 4 for details. <sup>3</sup> Must be specified with the TRM or TRMD trim option, and either SDL, FDL, or CL lens option. <sup>4</sup> To specify, add +WET to the selected lens option, e.g. SDL+WET.	<b>SOLA<sup>5</sup></b> - Dim-to-warm single channel control <b>DUO<sup>5</sup></b> - Tunable white 2-channel control  <sup>5</sup> 3-step

BEAM	OPTICAL ACCESSORIES <sup>6</sup> At light element	CRI	COLOR TEMP.	VOLTAGE	WATTAGE
		<b>90CRI</b>			
<b>25DEG</b> - 25° Spot <b>35DEG</b> - 35° Narrow flood <b>50DEG</b> - 50° Wide flood <b>80DEG</b> - 80° Very wide flood	<b>LSDL<sup>7</sup></b> - Soft diffused lens, Solite <b>LFDL<sup>7</sup></b> - Frosted diffused lens <b>LS</b> - Linear spread <b>HEX<sup>8</sup></b> - Hex louver <b>NA</b> - None  <sup>6</sup> See page 4 for details. <sup>7</sup> Only available with CL or NOL lens options. <sup>8</sup> Not available with 80° beam option.	<b>90CRI</b> - 90+ CRI	<b>SOLA</b> <b>30K18K</b> - 3000K to 1800K <b>27K18K</b> - 2700K to 1800K  <b>DUO</b> <b>65K27K</b> - 6500K to 2700K <b>50K27K</b> - 5000K to 2700K	<b>120V</b> - 120V <b>277V</b> - 277V <b>UNV</b> - 120V-277V	<b>SOLA</b> <b>14W</b> - 14 W output  <b>DUO</b> <b>14W</b> - 14 W output

DIMMING	INSTALLATION TYPE	MOUNTING OPTION <sup>13</sup>	OPTION
	<b>NIC</b>		
<b>INTEGRAL</b>  <b>SOLA</b> <b>SDI</b> - Single 0-10V input <b>SELV<sup>9</sup></b> - ELV 120V <b>STRI<sup>9</sup></b> - TRIAC 120V  <b>DUO</b> <b>DDI</b> - Dual 0-10V input for CCT/intensity  <sup>9</sup> Available with 120V only. <sup>10</sup> A remote driver box is provided. <sup>11</sup> On-site commissioning is required. <sup>12</sup> To specify, add +EB to the selected dimming option, e.g. RDI+EB.	<b>REMOTE <sup>10</sup></b>  <b>SOLA</b> <b>RSDI</b> - Single 0-10V input <b>RSELV<sup>9</sup></b> - ELV 120V <b>RSTRI<sup>9</sup></b> - TRIAC 120V  <b>DUO</b> <b>RDMX<sup>11</sup></b> - DMX <b>RDDA<sup>11</sup></b> - DALI DT6 <b>RDDA8<sup>11</sup></b> - DALI DT8 <b>RDDI</b> - Dual 0-10V input for CCT/intensity <b>RLD2<sup>11</sup></b> - Lutron DALI-2 digital <b>+EB<sup>12</sup></b> - Emergency battery	<b>NIC</b> - Type Non-IC  <sup>13</sup> See page 7 for more details.	<b>2AB</b> - 2" tall adjustable bar hangers <b>FMB</b> - Flush mount bars <b>ASB6</b> - Adjustable standard bar hangers for 6" wide grid system <b>ASB</b> - Adjustable standard bar hangers <b>ACB</b> - Adjustable commercial bar hangers <b>NA</b> - No bar hangers  <sup>14</sup> Standard collar height is suitable for up to 1" ceiling thickness. Select up to 0.5" ceiling thickness for restrained spaces. <sup>15</sup> Only available with TRM and TLMP trim style options.

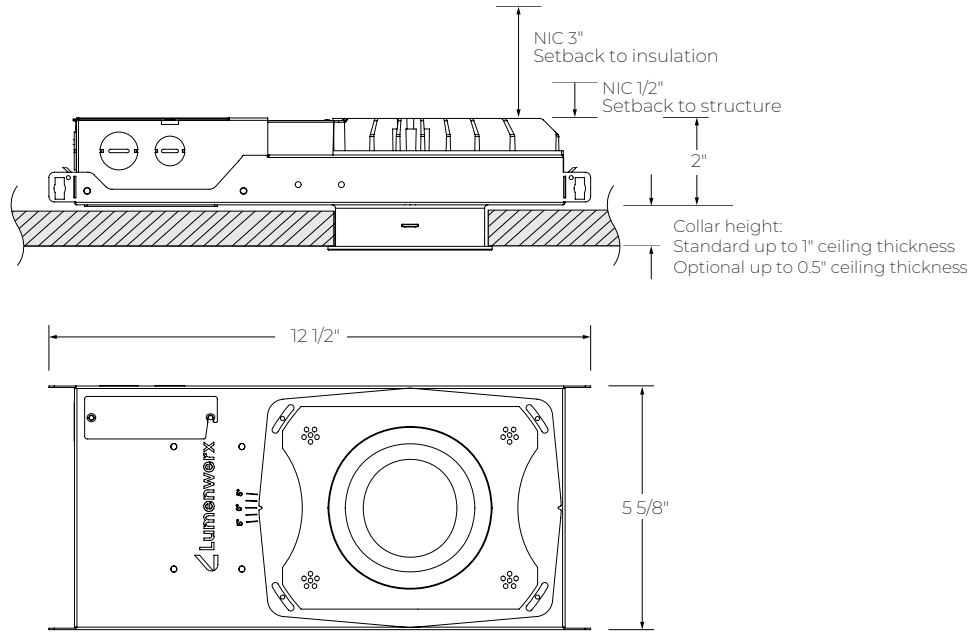


# AERA SHALO 3" RECESSED



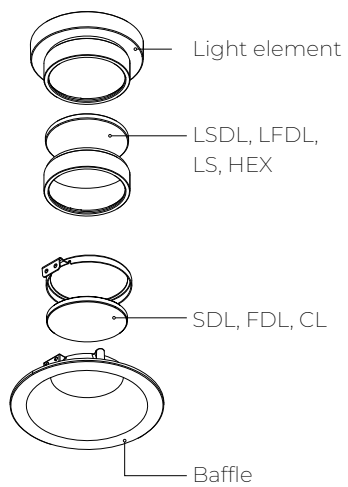
## Housing Dimensions

Minimum plenum height - 2" (2AB, FMB, ASB6); 4 3/16" (ASB, ACB)



\* Bar hangers are not shown in the drawing.

## LENS AND ACCESSORIES

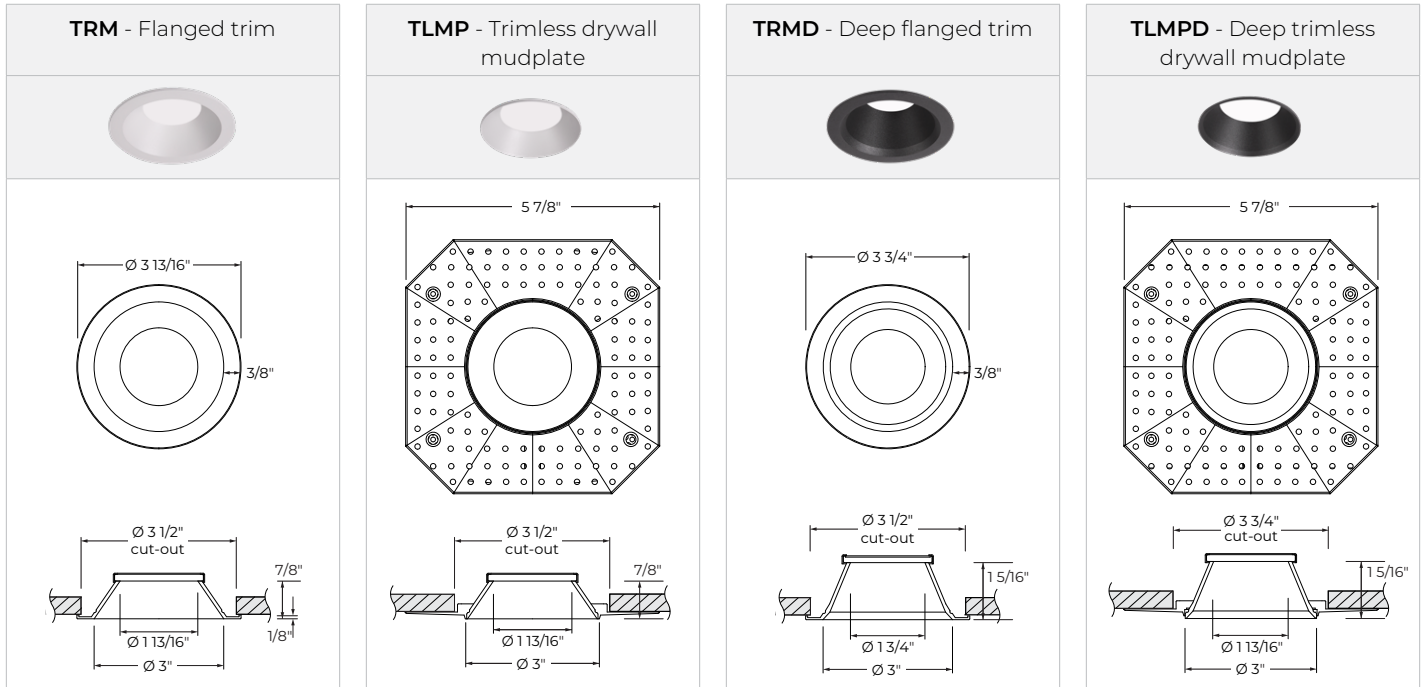


# AERA SHALO 3" RECESSED

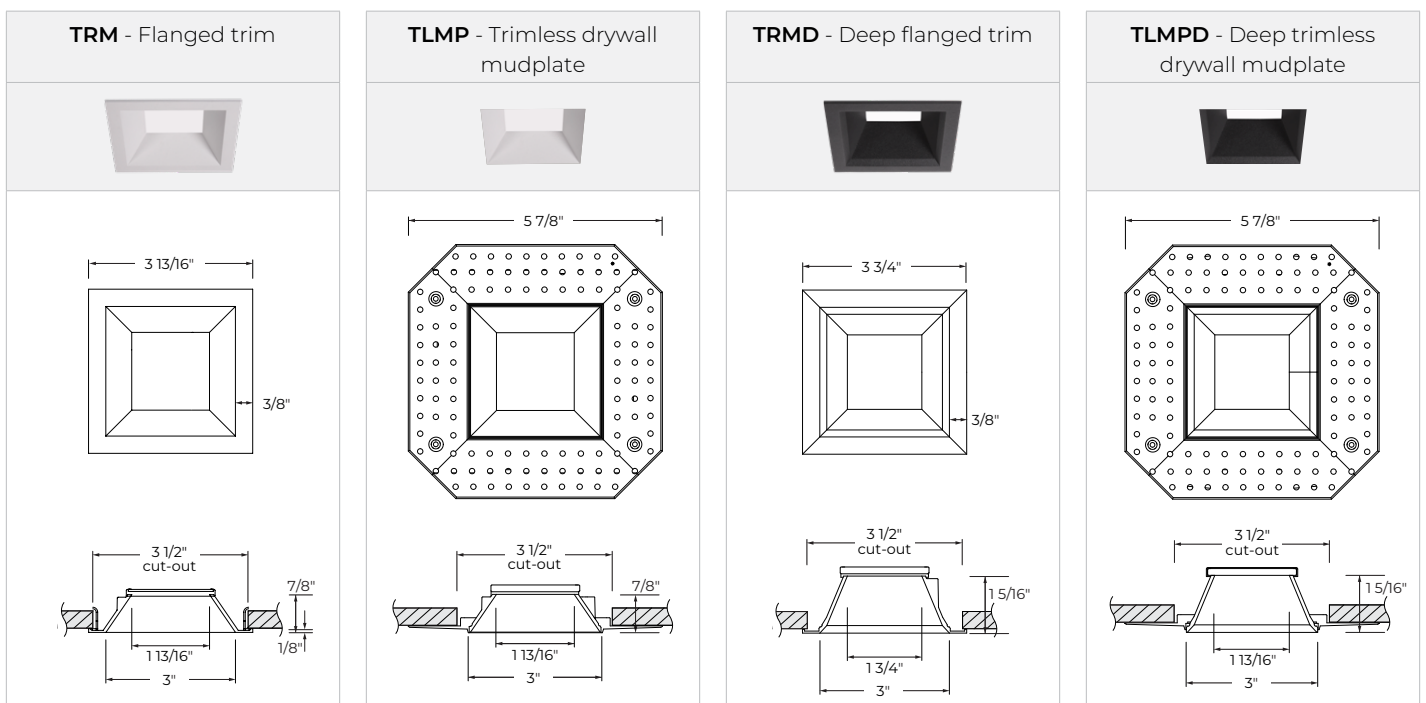


## Trim Details

### Round



### Square

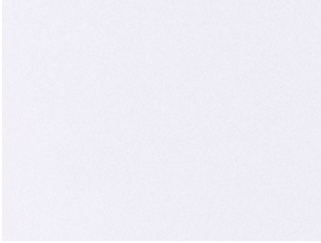


# AERA SHALO 3"

## RECESSED



### Finishes



**FTMW** - Matte white



**FTMB** - Matte black



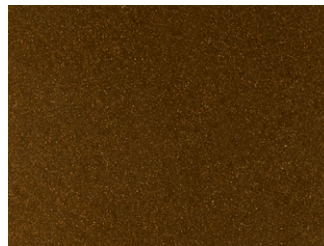
**FSPC** - Satin silver



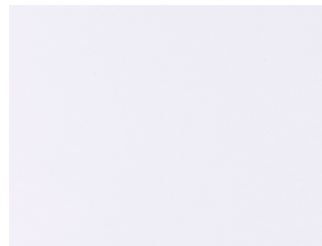
**FSSPC** - Matte silver



**FCHP** - Champagne



**FDBZ** - Dark bronze



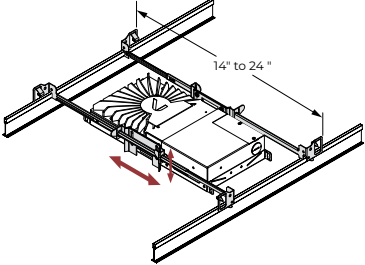
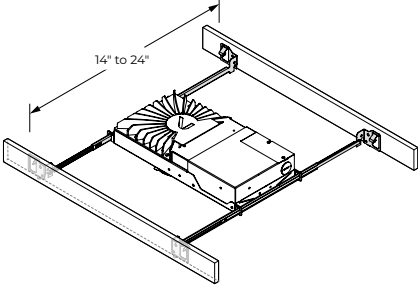
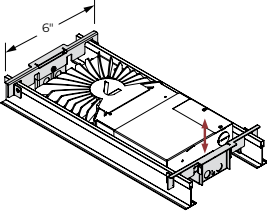
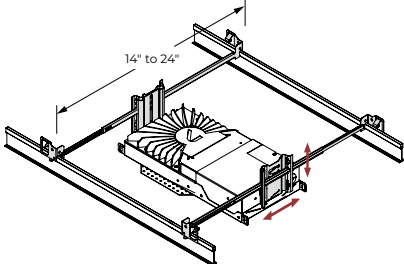
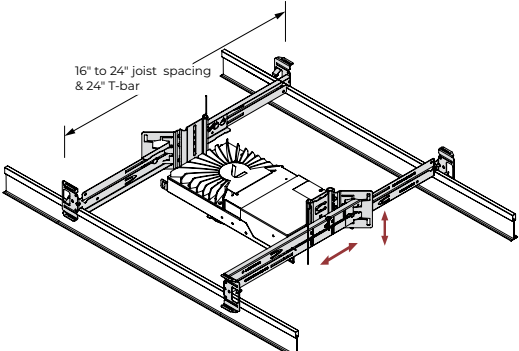
**FPF** - Primer finish

<b>TRM</b> - Flanged trim	<b>TLMP</b> - Trimless drywall mudplate
<b>TRMD</b> - Deep flanged trim	<b>TLMPD</b> - Deep trimless drywall mudplate
<p>■ Baffle finish</p> <p>■ Trim flange finish</p>	

# AERA SHALO 3" RECESSED



## Mounting Options

2AB - 2" tall Adjustable Bar Hangers	FMB - Flush Mount Bars
	
<ul style="list-style-type: none"> <li>• Use in commercial and residential applications.</li> <li>• Suitable for grid ceiling and drywall mounting.</li> <li>• Adjustable to various heights.</li> <li>• Low profile adjustable bar hangers, as low as 2".</li> <li>• Joist spacing: 14" to 24".</li> </ul>	<ul style="list-style-type: none"> <li>• Use in residential applications.</li> <li>• Suitable for wood, metal, and drywall mounting.</li> <li>• Joist spacing: 14" to 24".</li> </ul>
ASB6 - Adjustable Standard Bar Hangers for 6" wide grid system	ASB - Adjustable Standard Bar Hangers
	
<ul style="list-style-type: none"> <li>• Compatible with Techzone™ grid system.</li> <li>• Lockable and self centering in the grid.</li> <li>• Adjustable to various heights.</li> <li>• T-bar spacing: 6"</li> </ul>	<ul style="list-style-type: none"> <li>• Use in commercial and residential applications.</li> <li>• Suitable for grid ceiling and drywall mounting.</li> <li>• Adjustable to various heights.</li> <li>• Joist spacing: 14" to 24".</li> </ul>
ACB - Adjustable Commercial Bar Hangers	
	<ul style="list-style-type: none"> <li>• Use in commercial and residential applications.</li> <li>• Suitable for grid ceiling, drywall, metal, wood, and frame mounting.</li> <li>• Adjustable to various heights.</li> <li>• Fits into C-channel notches in a butterfly bracket.</li> <li>• Joist spacing: 16" to 24". Extensions to 36" and 48" available, consult factory.</li> <li>• T-bar spacing: 24"</li> </ul>

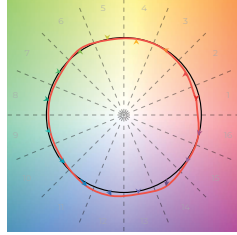
# AERA SHALO 3" RECESSED



## Color Quality

### COLOR QUALITY - 3500K

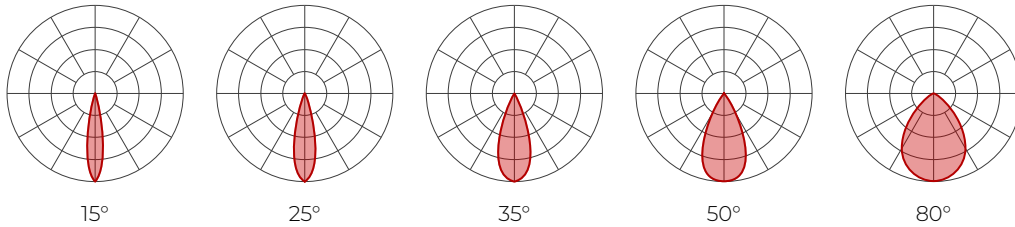
TM-30 R <sub>r</sub>	90
TM-30 R <sub>g</sub>	100
CRI	90+
R9	> 50



## Photometrics

### STATIC WHITE

Values calculated based on 3500K, 90+ CRI and SDL lens option.



### Delivered lumens

CRI	90+ CRI				
	15°	25°	35°	50°	80°
10 W	1015	1060	1033	962	866
14 W	1366	1427	1390	1295	1166
20 W	1795	1875	1827	1702	1532

### Efficacy

CRI	90+ CRI				
	15°	25°	35°	50°	80°
10 W	101	106	103	96	87
14 W	98	102	99	93	83
20 W	90	94	91	85	77

### MULTIPLIERS

Please follow the multiplier tables to ensure correct lumen value. CCT, CRI, lensing, accessories, baffle colour, collar height and trim type will change the lumen value.

CCT		CRI		TRIM STYLE		COLLAR HEIGHT		LENS At baffle		ACCESSORIES At light element	
2400K	0.87	80+ CRI	1	Standard	1	1"	1	SDL - Soft diffused lens, Solite	1	LSDL - Soft diffused lens, Solite	1
2700K	0.94	90+ CRI	1	Deep	0.96	0.5"	0.88	FDL - Frosted lens	0.8	LFDL - Frosted lens	0.8
3000K	0.98	95+ CRI	0.77	<b>BAFFLE FINISH</b>				CL - Clear lens	1.1	LS - Linear spread	0.84
3500K	1			White	1			NOL - No lens	1.1	HEX - Hex louver	0.86
4000K	1.05			Black	0.92						
5000K	1.05										

For SOLA and DUO, please consult factory.

# AERA SHALO 3"

## RECESSED



## Technical Specifications

### OPTIC

AeraBlend™ is an advanced optical design that delivers chromatic consistency and beam precision while ensuring flawless color mixing, uniform distribution, and visual comfort.

### LIGHT SOURCE

#### Static white

Compact COB (Chip-On-Board) LED module, available in 2400K, 2700K, 3000K, 3500K, 4000K, and 5000K with a choice of 80+ CRI, 90+CRI, or 95+ CRI, with an elevated R9 value for 90+ CRI and above. Color consistency is maintained to within 2 SDCM. All LEDs have been tested in accordance with IESNA LM-80-08 and the results have shown L80 lumen maintenance greater than 60,000 hours. Absolute product photometry is measured and presented in accordance with IESNA LM-79, unless otherwise indicated.

#### Full spectrum static white

The full spectrum LED option offers improved color particularly in the cyan region that is beneficial in both healthcare and circadian lighting strategies. The cyan region in full spectrum LED is richer at the 480 nm range.

#### Chromawerx SOLA

Chromawerx SOLA is single-channel control that dims output while warming the color temperature in a pre-determined relationship. Two color temperature range options are offered: 3000K to 1800K, and 2700K to 1800K. A simple analog control adjusts a specially populated LED array to emulate the effect of dimming a filament source.

#### Chromawerx DUO

Chromawerx DUO offers a two-channel control system which uses analog or digital protocols for synchronous control of both cool to warm LED arrays - maintaining a CRI above 90. Two color temperature range options are offered: 6500K to 2700K, and 5000K to 2700K. The range of color DUO offers is useful for entraining circadian rhythms, stimulating alertness, and compensating for jet lag among other applications. The Chromawerx drivers are programmed to limit maximum light output and power usage across all color temperatures. When paired with DALI drivers (DDA/DDA8), color tuning follows a linear dimming curve.

### ELECTRICAL

Unless otherwise specified, dimming down to 1%. At maximum driver load: efficiency>84%, PF>0.9, THD<20%. ELV and TRIAC dimming performance (including minimum dimming percentage) subject to dimmer selection.

**Integral:** 0-10V, ELV, TRIAC, DALI, eldoLED 0.1% SOLOdrive 0-10V, eldoLED 1% ECOdrive 0-10V

**Remote:** 0-10V, ELV, TRIAC, DALI, Lutron Hi-Lume 1% EcoSystem, eldoLED 0.1% SOLOdrive 0-10V, eldoLED 1% ECOdrive 0-10V, DMX, Lutron DALI-2 digital

**Emergency battery options:** Remotely-installed, long-life, high-temperature, maintenance-free, Bodine Lithium-Ion battery pack with self-test functionality, test switch and charge indicator. IOTA and Fulham options available upon request. Minimum of 90 minutes operation, and recharge time of 24 hours. For fixtures less than 10 W, the battery provides 6 W of emergency light output. For fixtures 10 W and over, the battery provides 10 W.

### PoE

Depending on the PoE manufacturer selected, Lumenwerx will install the node in factory as either integral to the luminaire, or as a remote module. Factory programming of the PoE node may or may not enable the following functionalities: lumen package, DUO (tunable white), QUADRO (RGBW), emergency battery backup, and sensor integration. These must be addressed and evaluated on a case-by-case basis.

### CONSTRUCTION

**Housing:** For new construction, 20 gauge powder coated steel. 18 gauge galvanized steel junction box with ½" trade size knockouts. Adjustable standard, 2" tall adjustable standard, adjustable standard for 6" wide grid system, flush mount, and adjustable commercial bar hangers are available as mounting options.

**Ceiling thickness:** Up to 1" standard. 0.5" ceiling thickness also available for restrained spaces.

**Light element:** Light element uses CoreConnect™ Technology, a magnetic, wire-free system that enables fast, secure connection and complete field serviceability.

**Heat sink:** Die-cast aluminum

**Baffle:** Die-cast aluminum

**Trim style:** Flanged trim, trimless with mudplate, deep flanged trim and deep trimless with mudplate

**Finish:** Matte white, matte black, satin silver, matte silver, champagne, dark bronze, and primer finish. Custom colors also available (provide RAL #). For the primer finish option, fixture must be turned off and the lens masked before applying paint.

### WEIGHT

3.3 lbs - 1.5 kg

# AERA SHALO 3"

## RECESSED



### LENS AND ACCESSORIES



Soft diffused lens, Solite



Frosted diffused lens



Clear lens



Linear spread



Hex louver

### ENVIRONMENT

Ambient temperature at fixture location shall be within 0°C/32°F - 25°C/77°F, indoor dry or damp as well as outdoor damp use (canopies or marquees).

### CERTIFICATIONS

**ETL:** Rated for indoor dry/damp locations. Conforms to UL Standard 1598 and certified to CAN/CSA Standard C22.2 No. 250.0.

**IP44:** IP44 rated for bathrooms, showers, outdoor canopies, and marquees when specified with the wet location (WET) option.

**Chicago Plenum:** City of Chicago approved (CCEA) when specified with CP installation type option.

**IC rated:** Suitable for direct contact with insulation when specified with IC or CP installation type options.

### WARRANTY

Lumenwerx provides a five-year limited warranty on electrical and mechanical performance of the luminaires, including the LED boards, drivers, and auxiliary electronics. Lumenwerx will repair or replace defective luminaires or components at our discretion, provided they have been installed and operated in accordance with our specifications. Other limitations apply, please refer to the full warranty on our website.