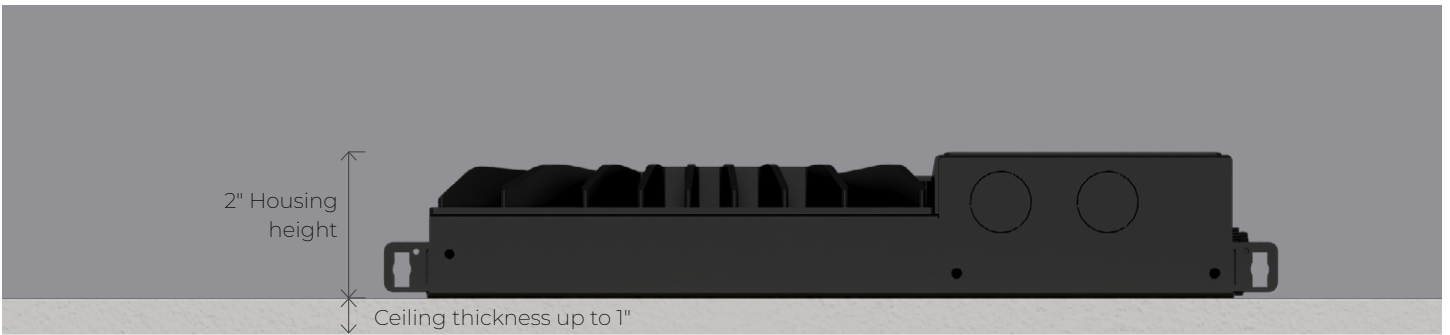


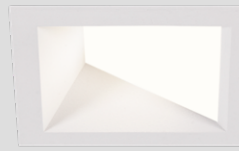
AERA SHALO 3" RECESSED WALL WASH



Flanged Trim



Trimless



Flanged Trim

Aera Shalo is a family of ultra-shallow downlights designed for spaces with limited plenum height. At only 2" deep, Aera Shalo delivers the same optical precision, visual comfort, and below-ceiling serviceability that define the Aera Collection. Available in 2", 3", and 4" apertures, it offers a consistent aesthetic across multiple mounting types and distributions.

The Aera Shalo Wall Wash downlight delivers smooth, uniform vertical illumination for perimeter and feature walls. Its purpose-built optic provides even distribution from ceiling to floor.

Beam



Wall wash

Shapes



Round



Square

Light Source

Static White

Full spectrum static white

SOLA



DUO



Aera Shalo Brochure



AERA SHALO 3"

RECESSED WALL WASH



Project: _____

Type: _____

Order Guide - Static White

For SOLA Dim-to-Warm and DUO Tunable White order guide, see page 3

LUMINAIRE ID ¹	TRIM STYLE	BAFFLE FINISH	TRIM FINISH Specify NA for trimless
ASH3RRWW - Aera Shalo 3" Round Recessed Wall Wash ASH3SRWW - Aera Shalo 3" Square Recessed Wall Wash ¹ Fixed and Adjustable also available. Consult other spec sheets.	TRM - Flanged trim TLMP - Trimless drywall mudplate	FTMW - Matte white FTMB - Matte black FSPC - Satin silver FSSPC - Matte silver FCHP - Champagne FDBZ - Dark bronze PPF - Primer finish CF# - Custom finish, specify RAL#	FTMW - Matte white FTMB - Matte black FSPC - Satin silver FSSPC - Matte silver FCHP - Champagne FDBZ - Dark bronze PPF - Primer finish CF# - Custom finish, specify RAL# NA - Not applicable

LIGHT SOURCE	BEAM	CRI	COLOR TEMP.	VOLTAGE	WATTAGE ⁵
SW ² - Static white FS ² - Full spectrum static white ² 2-step	WW - Wall wash	<u>Static white</u> 80CRI - 80+ CRI 90CRI - 90+ CRI 95CRI - 95+ CRI <u>Full spectrum</u> 95CRI - 95+ CRI	24K ³ - 2400K 27K - 2700K 30K - 3000K 35K - 3500K 40K - 4000K 50K ³ - 5000K ³ Not available with 95+ CRI.	120V - 120V 277V - 277V UNV - 120V-277V 347V ⁴ - 347V ⁴ Available with RD1 driver only. Please consult factory.	7W - 7 W output 10W - 10 W output 14W ⁶ - 14 W output ⁵ Lumen outputs are reduced with full spectrum, consult factory. ⁶ Not available with IC/CP.

DIMMING	INSTALLATION TYPE	MOUNTING OPTION ¹²
INTEGRAL DI - 1% 0-10V ELV ⁷ - ELV 120V TRI ⁷ - TRIAC 120V DA ⁸ - DALI ELD1 - eldoLED 1% ECOdrive 0-10V ELDO - eldoLED 0.1% SOLOdrive 0-10V ⁷ Available with 120V only ⁸ On-site commissioning is required. ⁹ A remote driver box is provided. ¹⁰ To specify, add +EB to the selected dimming option, e.g. RD1+EB.	REMOTE ⁹ RD1 - 1% 0-10V RELV ⁷ - ELV 120V RTRI ⁷ - TRIAC 120V RLDE1 ⁸ - Lutron Hi-Lume 1% Eco RDA ⁸ - DALI RELD1 - eldoLED 1% ECOdrive 0-10V RELDO - eldoLED 0.1% SOLOdrive 0-10V +EB ¹⁰ - Emergency battery	IC - Type-IC NIC - Type Non-IC CP ¹¹ - Chicago Plenum Type-IC (CCEA) ¹¹ Consult factory for Chicago Plenum Type Non-IC for wattages up to 14 W. ¹² See page 6 for more details.



AERA SHALO 3"

RECESSED WALL WASH



Project: _____

Type: _____

Order Guide - SOLA Dim-to-Warm and DUO Tunable White

For static white order guide, see page 2

LUMINAIRE ID ¹	TRIM STYLE	BAFFLE FINISH	TRIM FINISH Specify NA for trimless
ASH3RRWW - Aera Shalo 3" Round Recessed Wall Wash ASH3SRWW - Aera Shalo 3" Square Recessed Wall Wash ¹ Fixed and Adjustable also available. Consult other spec sheets.	TRM - Flanged trim TLMP - Trimless drywall mudplate	FTMW - Matte white FTMB - Matte black FSPC - Satin silver FSSPC - Matte silver FCHP - Champagne FDBZ - Dark bronze FPF - Primer finish CF# - Custom finish, specify RAL#	FTMW - Matte white FTMB - Matte black FSPC - Satin silver FSSPC - Matte silver FCHP - Champagne FDBZ - Dark bronze FPF - Primer finish CF# - Custom finish, specify RAL# NA - Not applicable

LIGHT SOURCE	BEAM	CRI	COLOR TEMP.	VOLTAGE	WATTAGE
SOLA ² - Dim-to-warm single channel control DUO ² - Tunable white 2-channel control ² 3-step	WW - Wall wash	90CRI - 90+ CRI	<u>SOLA</u> 30K18K - 3000K to 1800K 27K18K - 2700K to 1800K <u>DUO</u> 65K27K - 6500K to 2700K 50K27K - 5000K to 2700K	120V - 120V 277V - 277V UNV - 120V-277V	<u>SOLA</u> 14W - 14 W output <u>DUO</u> 14W - 14 W output

DIMMING	INSTALLATION TYPE	MOUNTING OPTION ⁷
INTEGRAL <u>SOLA</u> SD1 - Single 0-10V input SELV ³ - ELV 120V STRI ³ - TRIAC 120V <u>DUO</u> DD1 - Dual 0-10V input for CCT/intensity	REMOTE ⁴ <u>SOLA</u> RSD1 - Single 0-10V input RSELV ³ - ELV 120V RSTRI ³ - TRIAC 120V <u>DUO</u> RDMX ⁵ - DMX RDDA ⁵ - DALI DT6 RDDA8 ⁵ - DALI DT8 RDD1 - Dual 0-10V input for CCT/intensity RLD2 ⁵ - Lutron DALI-2 digital +EB ⁶ - Emergency battery	NIC - Type Non-IC 2AB - 2" tall adjustable bar hangers FMB - Flush mount bars ASB6 - Adjustable standard bar hangers for 6" wide grid system ASB - Adjustable standard bar hangers ACB - Adjustable commercial bar hangers NA - No bar hangers ⁷ See page 6 for more details.

³Available with 120V only.

⁴A remote driver box is provided.

⁵On-site commissioning is required.

⁶To specify, add +EB to the selected dimming option, e.g. RD1+EB.



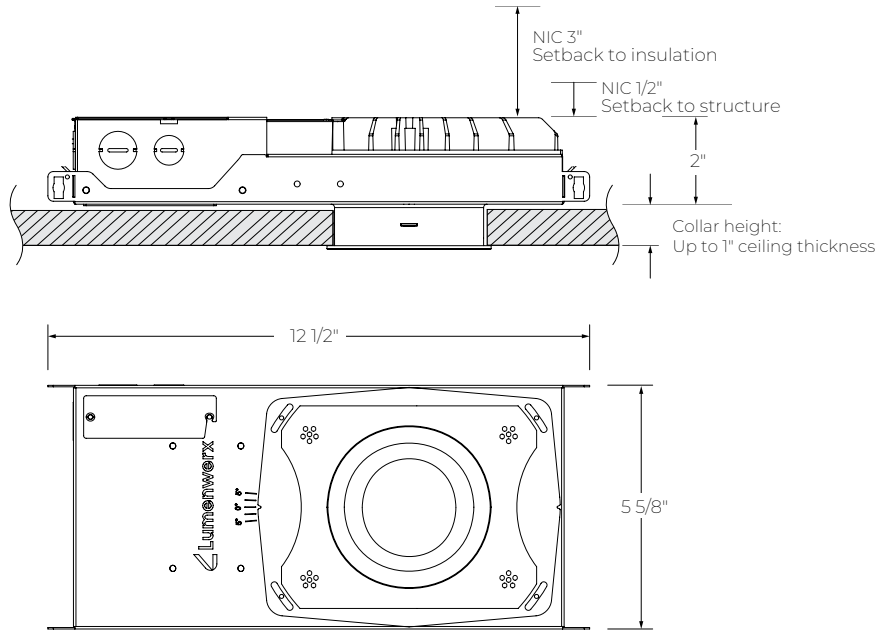
AERA SHALO 3"

RECESSED WALL WASH



Housing Dimensions

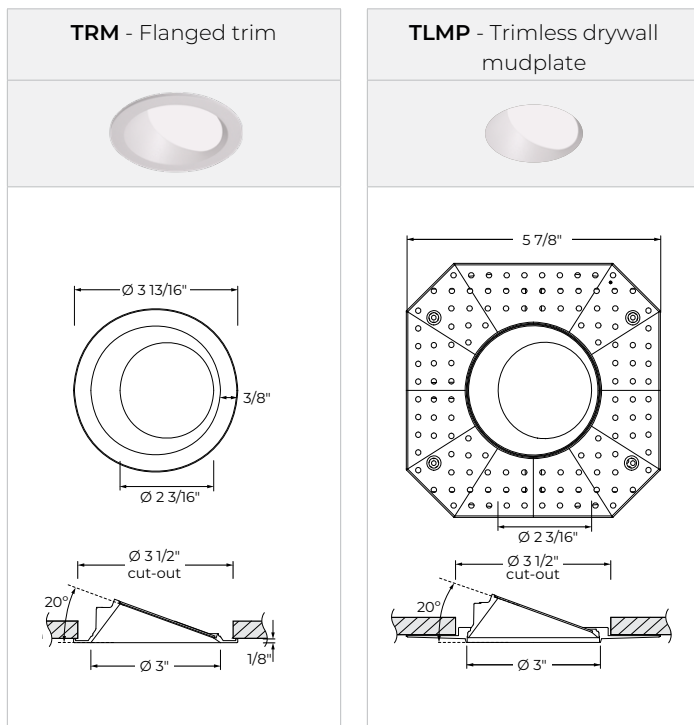
Minimum plenum height - 2" (2AB, FMB, ASB6); 4 3/16" (ASB, ACB)



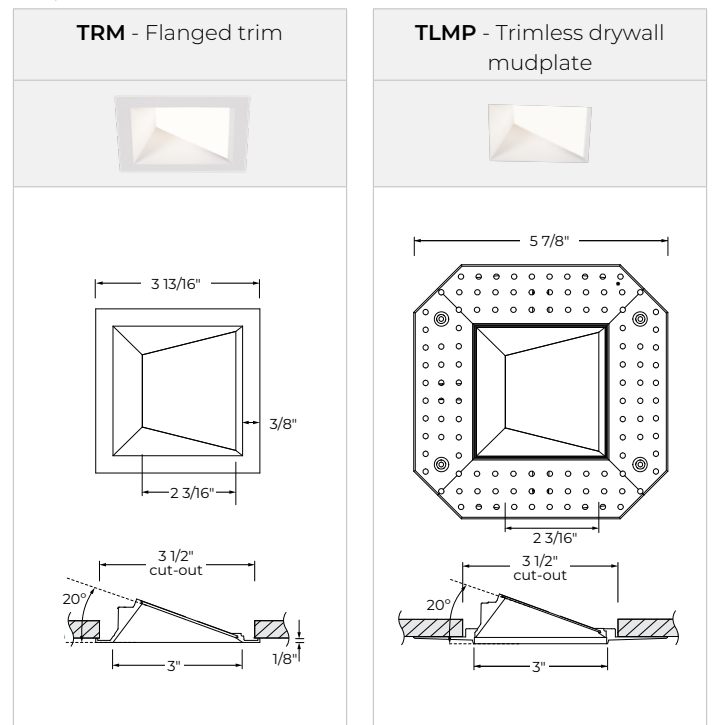
* Bar hangers are not shown in the drawing.

Trim Details

Round



Square

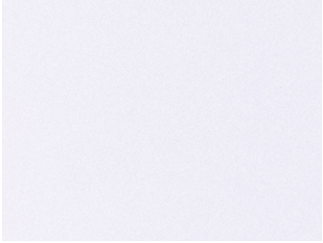


AERA SHALO 3"

RECESSED WALL WASH



Finishes



FTMW - Matte white



FTMB - Matte black



FSPC - Satin silver



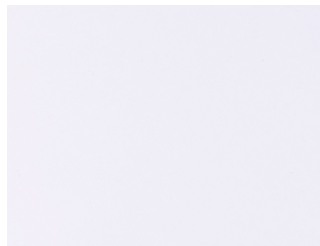
FSSPC - Matte silver



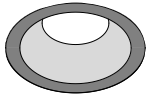

FCHP - Champagne



FDBZ - Dark bronze



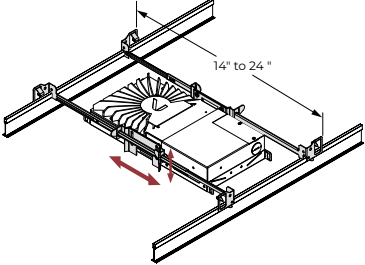
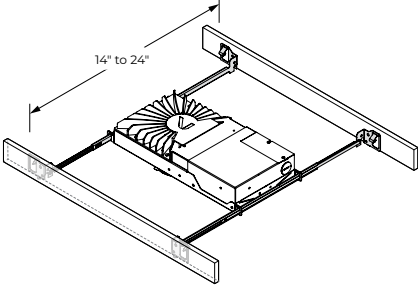
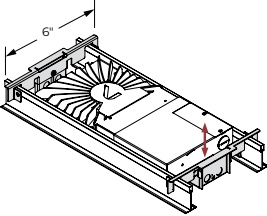
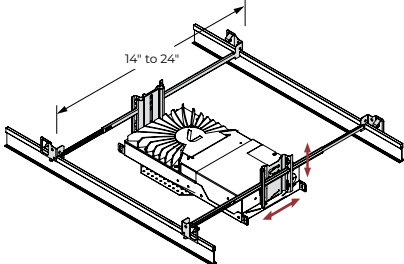
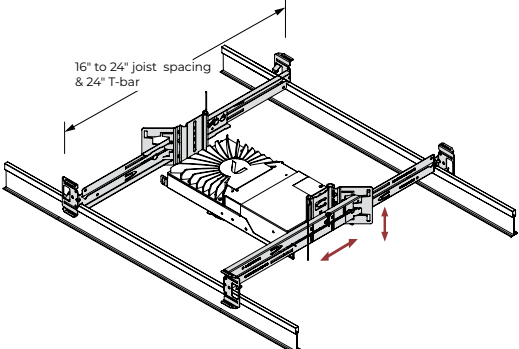
FPF - Primer finish

TRM - Flanged trim	TLMP - Trimless drywall mudplate
	
<p> Baffle finish Trim flange finish </p>	

AERA SHALO 3" RECESSED WALL WASH



Mounting Options

2AB - 2" tall Adjustable Bar Hangers	FMB - Flush Mount Bars
	
<ul style="list-style-type: none"> • Use in commercial and residential applications. • Suitable for grid ceiling and drywall mounting. • Adjustable to various heights. • Low profile adjustable bar hangers, as low as 2". • Joist spacing: 14" to 24". 	<ul style="list-style-type: none"> • Use in residential applications. • Suitable for wood, metal, and drywall mounting. • Joist spacing: 14" to 24".
ASB6 - Adjustable Standard Bar Hangers for 6" wide grid system	ASB - Adjustable Standard Bar Hangers
	
<ul style="list-style-type: none"> • Compatible with Techzone™ grid system. • Lockable and self centering in the grid. • Adjustable to various heights. • T-bar spacing: 6" 	<ul style="list-style-type: none"> • Use in commercial and residential applications. • Suitable for grid ceiling and drywall mounting. • Adjustable to various heights. • Joist spacing: 14" to 24".
ACB - Adjustable Commercial Bar Hangers	
	<ul style="list-style-type: none"> • Use in commercial and residential applications. • Suitable for grid ceiling, drywall, metal, wood, and frame mounting. • Adjustable to various heights. • Fits into C-channel notches in a butterfly bracket. • Joist spacing: 16" to 24". Extensions to 36" and 48" available, consult factory. • T-bar spacing: 24"

AERA SHALO 3"

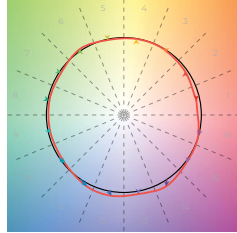
RECESSED WALL WASH



Color Quality

COLOR QUALITY - 3500K

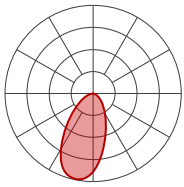
TM-30 Rr	90
TM-30 Ra	100
CRI	90+
R9	> 50



Photometrics

STATIC WHITE

Values calculated based on 3500K and 90+ CRI option.



W	LM	LM/W
7 W	398	57
10 W	547	55
14 W	737	53

MULTIPLIERS

Please follow the multiplier tables to ensure correct lumen value. CCT, CRI and baffle colour will change the lumen value.

CCT		CRI		BAFFLE FINISH	
2400K	0.87	80+ CRI	1	White	1
2700K	0.94	90+ CRI	1	Black	0.92
3000K	0.98	95+ CRI	0.77		
3500K	1				
4000K	1.05				
5000K	1.05				

For SOLA and DUO, please consult factory.

AERA SHALO 3"

RECESSED WALL WASH



Technical Specifications

OPTIC

AeraBlend™ is an advanced optical design that delivers chromatic consistency and beam precision while ensuring flawless color mixing, uniform distribution, and visual comfort.

LIGHT SOURCE

Static white

Compact COB (Chip-On-Board) LED module, available in 2400K, 2700K, 3000K, 3500K, 4000K, and 5000K with a choice of 80+ CRI, 90+CRI, or 95+ CRI, with an elevated R9 value for 90+ CRI and above. Color consistency is maintained to within 2 SDCM. All LEDs have been tested in accordance with IESNA LM-80-08 and the results have shown L80 lumen maintenance greater than 60,000 hours. Absolute product photometry is measured and presented in accordance with IESNA LM-79, unless otherwise indicated.

Full spectrum static white

The full spectrum LED option offers improved color particularly in the cyan region that is beneficial in both healthcare and circadian lighting strategies. The cyan region in full spectrum LED is richer at the 480 nm range.

Chromawerx SOLA

Chromawerx SOLA is single-channel control that dims output while warming the color temperature in a pre-determined relationship. Two color temperature range options are offered: 3000K to 1800K, and 2700K to 1800K. A simple analog control adjusts a specially populated LED array to emulate the effect of dimming a filament source.

Chromawerx DUO

Chromawerx DUO offers a two-channel control system which uses analog or digital protocols for synchronous control of both cool to warm LED arrays - maintaining a CRI above 90. Two color temperature range options are offered: 6500K to 2700K, and 5000K to 2700K. The range of color DUO offers is useful for entraining circadian rhythms, stimulating alertness, and compensating for jet lag among other applications. The Chromawerx drivers are programmed to limit maximum light output and power usage across all color temperatures. When paired with DALI drivers (DDA/DDA8), color tuning follows a linear dimming curve.

ELECTRICAL

Unless otherwise specified, dimming down to 1%. At maximum driver load: efficiency>84%, PF>0.9, THD<20%. ELV and TRIAC dimming performance (including minimum dimming percentage) subject to dimmer selection.

Integral: 0-10V, ELV, TRIAC, DALI, eldoLED 0.1% SOLOdrive 0-10V, eldoLED 1% ECOdrive 0-10V

Remote: 0-10V, ELV, TRIAC, DALI, Lutron Hi-Lume 1% EcoSystem, eldoLED 0.1% SOLOdrive 0-10V, eldoLED 1% ECOdrive 0-10V, DMX, Lutron DALI-2 digital

Emergency battery options: Remotely-installed, long-life, high-temperature, maintenance-free, Bodine Lithium-Ion battery pack with self-test functionality, test switch and charge indicator. IOTA and Fulham options available upon request. Minimum of 90 minutes operation, and recharge time of 24 hours. For fixtures less than 10 W, the battery provides 6 W of emergency light output. For fixtures 10 W and over, the battery provides 10 W.

PoE

Depending on the PoE manufacturer selected, Lumenwerx will install the node in factory as either integral to the luminaire, or as a remote module. Factory programming of the PoE node may or may not enable the following functionalities: lumen package, DUO (tunable white), QUADRO (RGBW), emergency battery backup, and sensor integration. These must be addressed and evaluated on a case-by-case basis.

CONSTRUCTION

Housing: For new construction, 20 gauge powder coated steel. 18 gauge galvanized steel junction box with ½" trade size knockouts. Adjustable standard, 2" tall adjustable standard, adjustable standard for 6" wide grid system, flush mount, and adjustable commercial bar hangers are available as mounting options.

Ceiling thickness: Up to 1"

Light element: Light element uses CoreConnect™ Technology, a magnetic, wire-free system that enables fast, secure connection and complete field serviceability.

Heat sink: Die-cast aluminum

Baffle: Die-cast aluminum

Trim style: Flanged trim, trimless with mudplate

Finish: Matte white, matte black, satin silver, matte silver, champagne, dark bronze, and primer finish. Custom colors also available (provide RAL #). For the primer finish option, fixture must be turned off and the lens masked before applying paint.

WEIGHT

3.3 lbs - 1.5 kg

ENVIRONMENT

Ambient temperature at fixture location shall be within 0°C/32°F - 25°C/77°F, indoor dry or damp as well as outdoor damp use (canopies or marquees).

AERA SHALO 3"

RECESSED WALL WASH



CERTIFICATIONS

ETL: Rated for indoor dry/damp locations. Conforms to UL Standard 1598 and certified to CAN/CSA Standard C22.2 No. 250.0.

Chicago Plenum: City of Chicago approved (CCEA) when specified with CP installation type option.

IC rated: Suitable for direct contact with insulation when specified with IC or CP installation type options.

WARRANTY

Lumenwerx provides a five-year limited warranty on electrical and mechanical performance of the luminaires, including the LED boards, drivers, and auxiliary electronics. Lumenwerx will repair or replace defective luminaires or components at our discretion, provided they have been installed and operated in accordance with our specifications. Other limitations apply, please refer to the full warranty on our website.