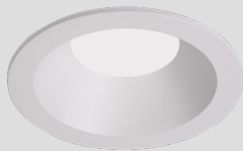
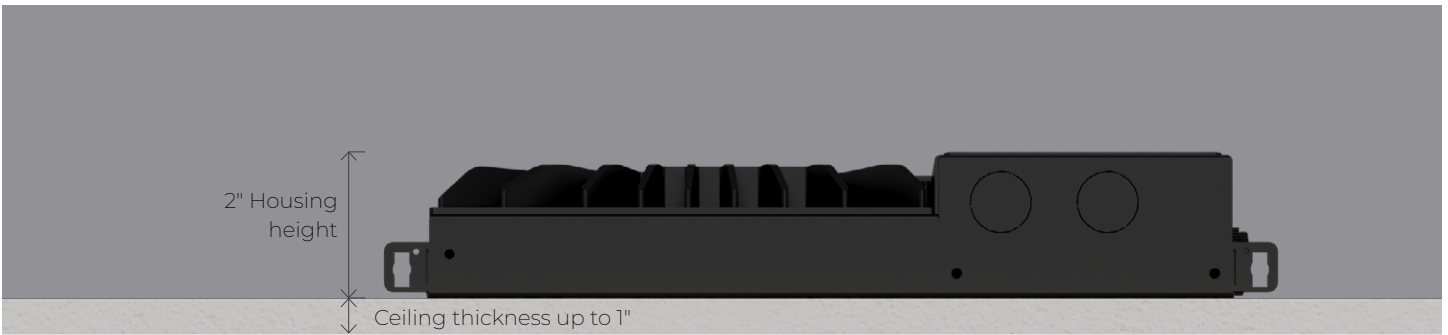
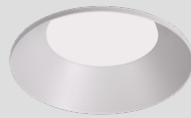


AERA SHALO 4"

RECESSED



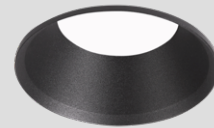
Flanged Trim
Available for 0.5" ceiling thickness



Trimless
Available for 0.5" ceiling thickness



Flanged Trim Deep



Trimless Deep

Aera Shalo is a family of ultra-shallow downlights designed for spaces with limited plenum height. At only 2" deep, Aera Shalo delivers the same optical precision, visual comfort, and below-ceiling serviceability that define the Aera Collection. Available in 2", 3", and 4" apertures, it offers a consistent aesthetic across multiple mounting types and distributions.

The Aera Shalo Fixed downlight provides uniform general illumination with excellent glare control. Its engineered optical system ensures consistent light quality and beam performance.

Beam Angles



Shapes



Light Source



Performance

LUMEN OUTPUT ¹	WATTS	EFFICACY
1145 lm	10 W	114 lm/W
1541 lm	14 W	110 lm/W
2026 lm	20 W	101 lm/W

¹Values based on 3500K, 90+ CRI, and 25° beam.



Aera Shalo Brochure



AERA SHALO 4"

RECESSED



Project: _____

Type: _____

Order Guide - Static White

For SOLA Dim-to-Warm and DUO Tunable White order guide, see page 3

LUMINAIRE ID ¹	TRIM STYLE	BAFFLE FINISH	TRIM FINISH Specify NA for trimless	LENS ² At baffle	LIGHT SOURCE
ASH4RR - Aera Shalo 4" Round Recessed ASH4SR - Aera Shalo 4" Square Recessed ¹ Adjustable and Wall Wash also available. Consult other spec sheets.	TRM - Flanged trim TLMP - Trimless drywall mudplate TRMD - Deep flanged trim TLMPD - Deep trimless drywall mudplate	FTMW - Matte white FTMB - Matte black FSPC - Satin silver FSSPC - Matte silver FCHP - Champagne FDBZ - Dark bronze FPF - Primer finish CF# - Custom finish, specify RAL#	FTMW - Matte white FTMB - Matte black FSPC - Satin silver FSSPC - Matte silver FCHP - Champagne FDBZ - Dark bronze FPF - Primer finish CF# - Custom finish, specify RAL# NA - Not applicable	SDL - Soft diffused lens, Solite FDL - Frosted diffused lens CL - Clear lens NOL - No lens +WET^{3,4} - Wet location ² See page 4 for details. ³ Must be specified with the TRM or TRMD trim option, and either SDL, FDL, or CL lens option. ⁴ To specify, add +WET to the selected lens option, e.g. SDL+WET.	SW⁵ - Static white FS⁵ - Full spectrum static white ⁵ 2-step

BEAM	OPTICAL ACCESSORIES ⁶ At light element	CRI	COLOR TEMP.	VOLTAGE	WATTAGE ¹²
15DEG - 15° Narrow spot 25DEG - 25° Spot 35DEG - 35° Narrow flood 50DEG - 50° Wide flood 80DEG - 80° Very wide flood	LSDL⁷ - Soft diffused lens, Solite LFDL⁷ - Frosted diffused lens LS⁸ - Linear spread HEX^{8,9} - Hex louver NA - None ⁶ See page 4 for details. ⁷ Only available with CL or NOL lens options. ⁸ Not available with 20 W. ⁹ Not available with 80° beam option.	<u>Static white</u> 80CRI - 80+ CRI 90CRI - 90+ CRI 95CRI - 95+ CRI <u>Full spectrum</u> 95CRI - 95+ CRI	24K¹⁰ - 2400K 27K - 2700K 30K - 3000K 35K - 3500K 40K - 4000K 50K¹⁰ - 5000K ¹⁰ Not available with 95+ CRI.	120V - 120V 277V - 277V UNV - 120V-277V 347V¹¹ - 347V ¹¹ Available with RD1 driver only. Please consult factory.	10W - 10 W output, up to 1145 lm 14W¹³ - 14 W output, up to 1541 lm 20W^{13,14} - 20 W output, up to 2026 lm ¹² Lumen outputs are reduced with full spectrum, consult factory. ¹³ Not available with IC/CP. ¹⁴ Not available with 95+ CRI.

DIMMING	INSTALLATION TYPE	MOUNTING OPTION ²⁰	OPTION
INTEGRAL DI - 1% 0-10V ELV¹⁵ - ELV 120V TRI¹⁵ - TRIAC 120V DA¹⁶ - DALI ELD1 - eldoLED 1% ECOdrive 0-10V ELDO - eldoLED 0.1% SOLOdrive 0-10V ¹⁵ Available with 120V only ¹⁶ On-site commissioning is required. ¹⁷ A remote driver box is provided. ¹⁸ To specify, add +EB to the selected dimming option, e.g. RD1+EB.	REMOTE ¹⁷ RD1 - 1% 0-10V RELV¹⁵ - ELV 120V RTRI¹⁵ - TRIAC 120V RLDE1¹⁶ - Lutron Hi-lume 1% Eco RDA¹⁶ - DALI RELD1 - eldoLED 1% ECOdrive 0-10V RELDO - eldoLED 0.1% SOLOdrive 0-10V +EB¹⁸ - Emergency battery ¹⁹ Consult factory for Chicago Plenum Type Non-IC for wattages up to 20 W.	IC - Type-IC NIC - Type Non-IC CP¹⁹ - Chicago Plenum Type-IC (CCEA) ²⁰ See page 7 for more details.	2AB - 2" tall adjustable bar hangers FMB - Flush mount bars ASB6 - Adjustable standard bar hangers for 6" wide grid system ASB - Adjustable standard bar hangers ACB - Adjustable commercial bar hangers NA - No bar hangers ²¹ Standard collar height is suitable for up to 1" ceiling thickness. Select up to 0.5" ceiling thickness for restrained spaces. ²² Only available with TRM and TLMP trim style options.



AERA SHALO 4"

RECESSED



Project: _____

Type: _____

Order Guide - SOLA Dim-to-Warm and DUO Tunable White

For static white order guide, see page 2

LUMINAIRE ID ¹	TRIM STYLE	BAFFLE FINISH	TRIM FINISH Specify NA for trimless	LENS ² At baffle	LIGHT SOURCE
ASH4RR - Aera Shalo 4" Round Recessed ASH4SR - Aera Shalo 4" Square Recessed ¹ Adjustable and Wall Wash also available. Consult other spec sheets.	TRM - Flanged trim TLMP - Trimless drywall mudplate TRMD - Deep flanged trim TLMPD - Deep trimless drywall mudplate	FTMW - Matte white FTMB - Matte black FSPC - Satin silver FSSPC - Matte silver FCHP - Champagne FDBZ - Dark bronze FPF - Primer finish CF# - Custom finish, specify RAL#	FTMW - Matte white FTMB - Matte black FSPC - Satin silver FSSPC - Matte silver FCHP - Champagne FDBZ - Dark bronze FPF - Primer finish CF# - Custom finish, specify RAL# NA - Not applicable	SDL - Soft diffused lens, Solite FDL - Frosted diffused lens CL - Clear lens NOL - No lens +WET^{3,4} - Wet location ² See page 4 for details. ³ Must be specified with the TRM or TRMD trim option, and either SDL, FDL, or CL lens option. ⁴ To specify, add +WET to the selected lens option, e.g. SDL+WET.	SOLA⁵ - Dim-to-warm single channel control DUO⁵ - Tunable white 2-channel control ⁵ 3-step

BEAM	OPTICAL ACCESSORIES ⁶ At light element	CRI	COLOR TEMP.	VOLTAGE	WATTAGE
		90CRI			
25DEG - 25° Spot 35DEG - 35° Narrow flood 50DEG - 50° Wide flood 80DEG - 80° Very wide flood	LSDL⁷ - Soft diffused lens, Solite LFDL⁷ - Frosted diffused lens LS - Linear spread HEX⁸ - Hex louver NA - None ⁶ See page 4 for details. ⁷ Only available with CL or NOL lens options. ⁸ Not available with 80° beam option.	90CRI - 90+ CRI	<u>SOLA</u> 30K18K - 3000K to 1800K 27K18K - 2700K to 1800K <u>DUO</u> 65K27K - 6500K to 2700K 50K27K - 5000K to 2700K	120V - 120V 277V - 277V UNV - 120V-277V	<u>SOLA</u> 14W - 14 W output <u>DUO</u> 14W - 14 W output

DIMMING	INSTALLATION TYPE	MOUNTING OPTION ¹³	OPTION
	NIC		
INTEGRAL <u>SOLA</u> SD1 - Single 0-10V input SELV⁹ - ELV 120V STRI⁹ - TRIAC 120V <u>DUO</u> DD1 - Dual 0-10V input for CCT/intensity	REMOTE¹⁰ <u>SOLA</u> RSD1 - Single 0-10V input RSELV⁹ - ELV 120V RSTRI⁹ - TRIAC 120V <u>DUO</u> RDMX¹¹ - DMX RDDA¹¹ - DALI DT6 RDDA8¹¹ - DALI DT8 RDD1 - Dual 0-10V input for CCT/intensity RLD2¹¹ - Lutron DALI-2 digital +EB¹² - Emergency battery	NIC - Type Non-IC 2AB - 2" tall adjustable bar hangers FMB - Flush mount bars ASB6 - Adjustable standard bar hangers for 6" wide grid system ASB - Adjustable standard bar hangers ACB - Adjustable commercial bar hangers NA - No bar hangers ¹³ See page 7 for more details.	05IN^{14,15} - 0.5" ceiling thickness NA - None ¹⁴ Standard collar height is suitable for up to 1" ceiling thickness. Select up to 0.5" ceiling thickness for restrained spaces. ¹⁵ Only available with TRM and TLMP trim style options.

⁹Available with 120V only.

¹⁰A remote driver box is provided.

¹¹On-site commissioning is required.

¹²To specify, add +EB to the selected dimming option, e.g. RD1+EB.



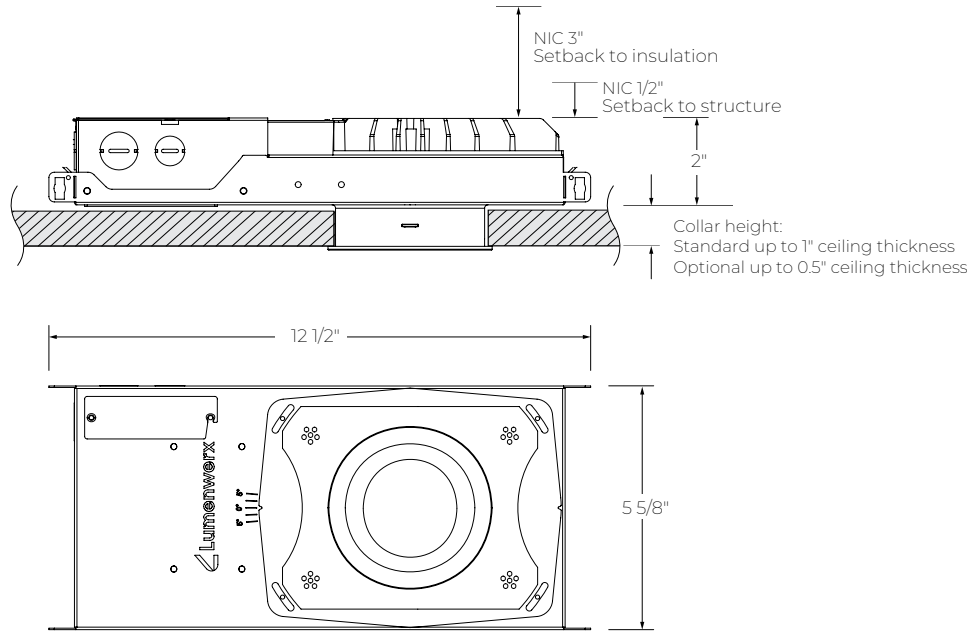
AERA SHALO 4"

RECESSED



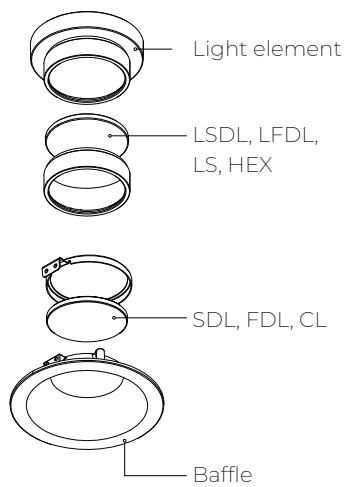
Housing Dimensions

Minimum plenum height - 2" (2AB, FMB, ASB6); 4 3/16" (ASB, ACB)



* Bar hangers are not shown in the drawing.

LENS AND ACCESSORIES



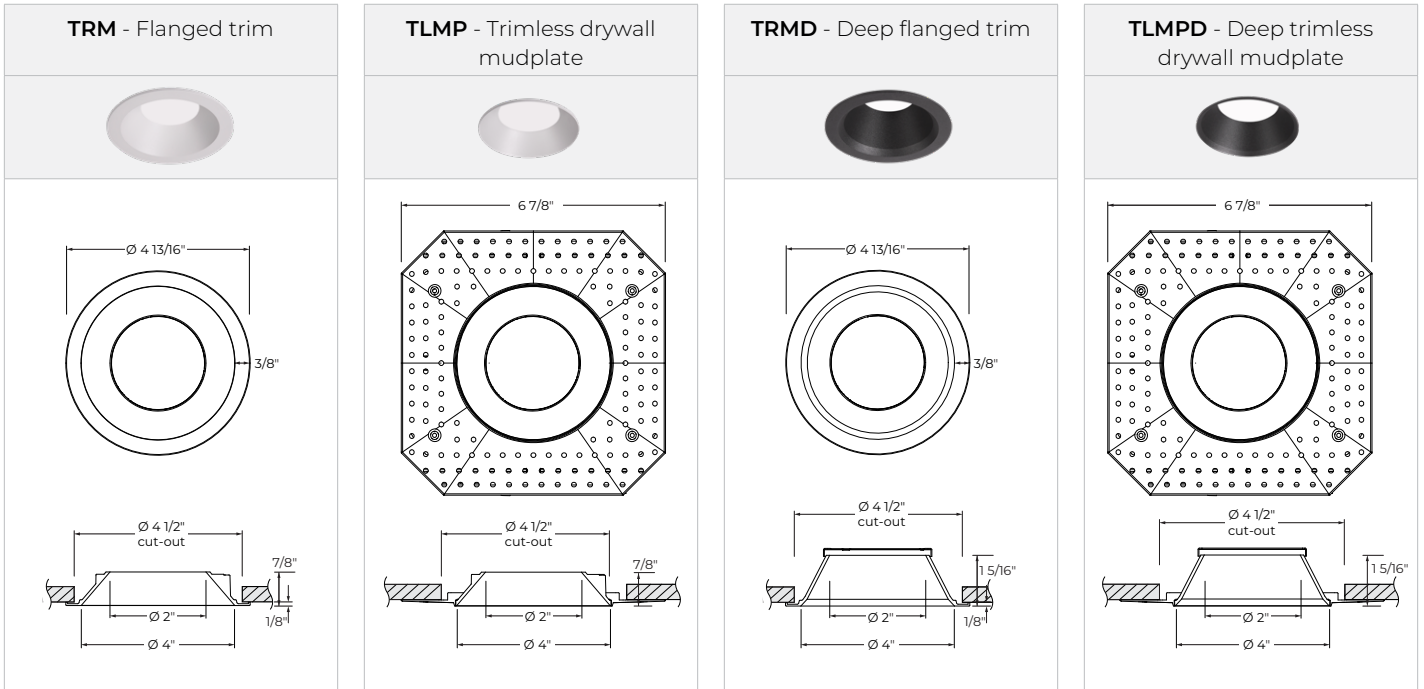
AERA SHALO 4"

RECESSED

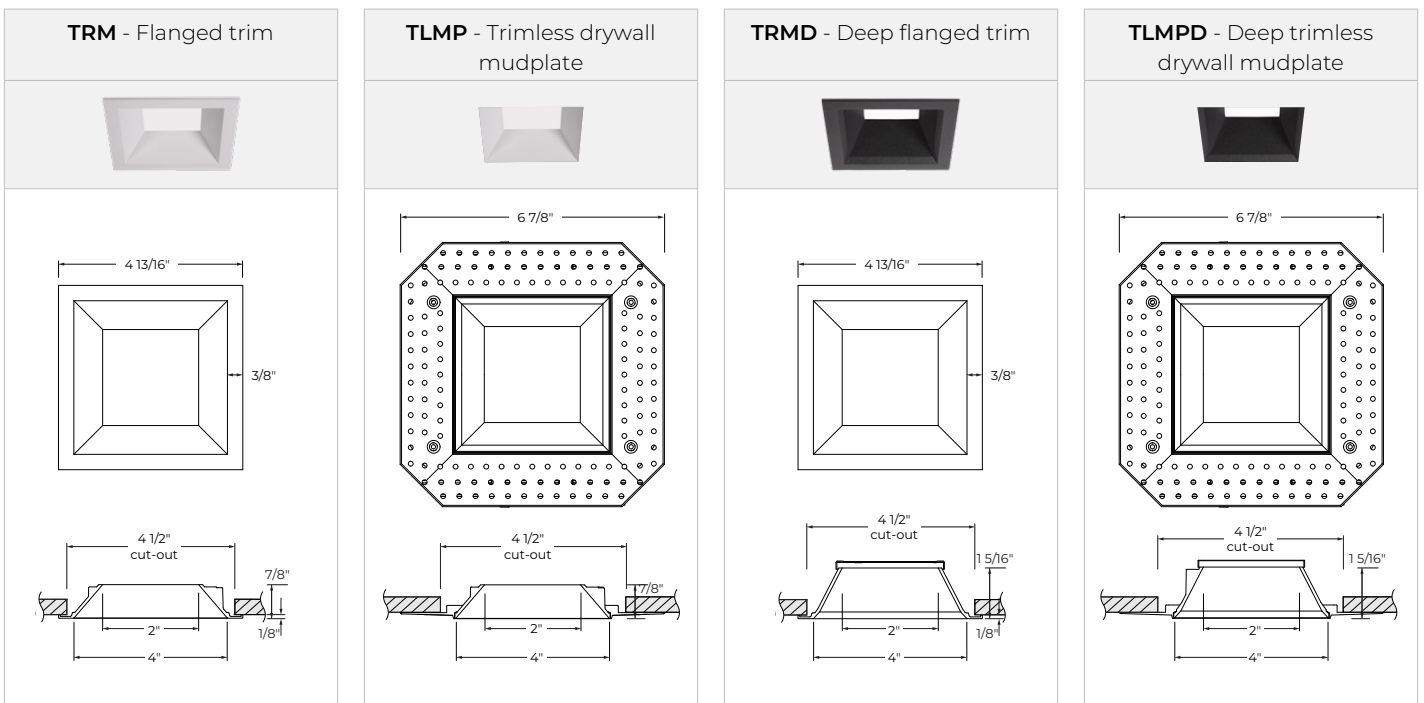


Trim Details

Round



Square

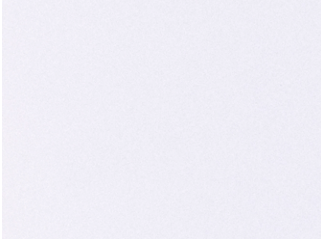


AERA SHALO 4"

RECESSED



Finishes



FTMW - Matte white



FTMB - Matte black



FSPC - Satin silver



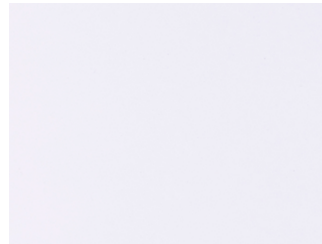
FSSPC - Matte silver



FCHP - Champagne



FDBZ - Dark bronze



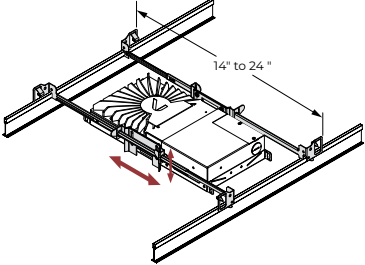
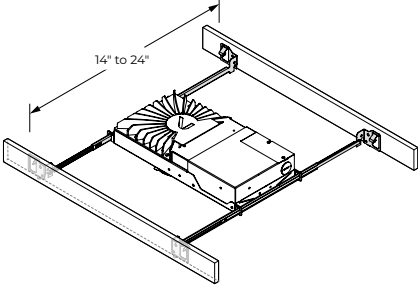
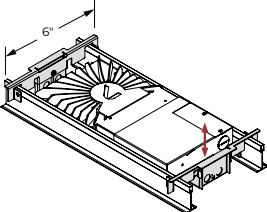
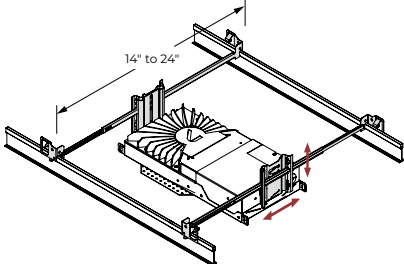
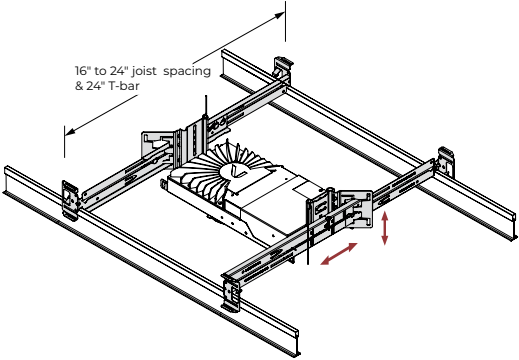
FPF - Primer finish

TRM - Flanged trim	TLMP - Trimless drywall mudplate
TRMD - Deep flanged trim	TLMPD - Deep trimless drywall mudplate
<p>■ Baffle finish</p> <p>■ Trim flange finish</p>	

AERA SHALO 4" RECESSED



Mounting Options

2AB - 2" tall Adjustable Bar Hangers	FMB - Flush Mount Bars
	
<ul style="list-style-type: none"> • Use in commercial and residential applications. • Suitable for grid ceiling and drywall mounting. • Adjustable to various heights. • Low profile adjustable bar hangers, as low as 2". • Joist spacing: 14" to 24". 	<ul style="list-style-type: none"> • Use in residential applications. • Suitable for wood, metal, and drywall mounting. • Joist spacing: 14" to 24".
ASB6 - Adjustable Standard Bar Hangers for 6" wide grid system	ASB - Adjustable Standard Bar Hangers
	
<ul style="list-style-type: none"> • Compatible with Techzone™ grid system. • Lockable and self centering in the grid. • Adjustable to various heights. • T-bar spacing: 6" 	<ul style="list-style-type: none"> • Use in commercial and residential applications. • Suitable for grid ceiling and drywall mounting. • Adjustable to various heights. • Joist spacing: 14" to 24".
ACB - Adjustable Commercial Bar Hangers	
	<ul style="list-style-type: none"> • Use in commercial and residential applications. • Suitable for grid ceiling, drywall, metal, wood, and frame mounting. • Adjustable to various heights. • Fits into C-channel notches in a butterfly bracket. • Joist spacing: 16" to 24". Extensions to 36" and 48" available, consult factory. • T-bar spacing: 24"

AERA SHALO 4^{II}

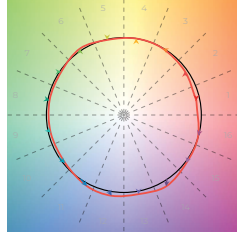
RECESSED



Color Quality

COLOR QUALITY - 3500K

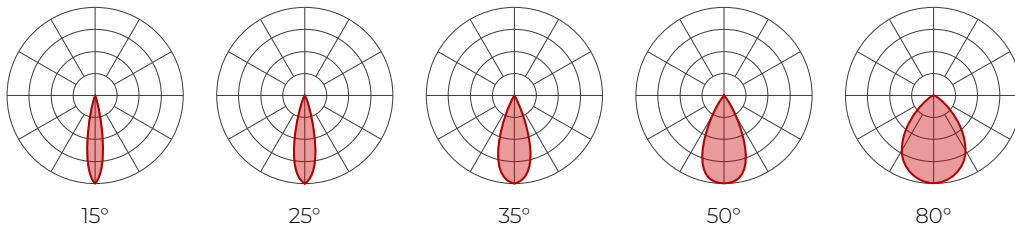
TM-30 R _r	90
TM-30 R _g	100
CRI	90+
R9	> 50



Photometrics

STATIC WHITE

Values calculated based on 3500K, 90+ CRI and SDL lens option.



Delivered lumens

CRI	90+ CRI				
	15°	25°	35°	50°	80°
10 W	1096	1145	1115	1039	935
14 W	1475	1541	1501	1399	1259
20 W	1939	2026	1973	1838	1654

Efficacy

CRI	90+ CRI				
	15°	25°	35°	50°	80°
10 W	110	114	112	104	94
14 W	105	110	107	100	90
20 W	97	101	99	92	83

MULTIPLIERS

Please follow the multiplier tables to ensure correct lumen value. CCT, CRI, lensing, accessories, baffle colour, collar height and trim type will change the lumen value.

CCT		CRI		TRIM STYLE		COLLAR HEIGHT		LENS At baffle		ACCESSORIES At light element	
2400K	0.87	80+ CRI	1	Standard	1	1"	1	SDL - Soft diffused lens, Solite	1	LSDL - Soft diffused lens, Solite	1
2700K	0.94	90+ CRI	1	Deep	0.96	0.5"	0.88	FDL - Frosted lens	0.8	LFDL - Frosted lens	0.8
3000K	0.98	95+ CRI	0.77	BAFFLE FINISH				CL - Clear lens	1.1	LS - Linear spread	0.84
3500K	1			White	1			NOL - No lens	1.1	HEX - Hex louver	0.86
4000K	1.05			Black	0.92						
5000K	1.05										

For SOLA and DUO, please consult factory.

AERA SHALO 4"

RECESSED



Technical Specifications

OPTIC

AeraBlend™ is an advanced optical design that delivers chromatic consistency and beam precision while ensuring flawless color mixing, uniform distribution, and visual comfort.

LIGHT SOURCE

Static white

Compact COB (Chip-On-Board) LED module, available in 2400K, 2700K, 3000K, 3500K, 4000K, and 5000K with a choice of 80+ CRI, 90+CRI, or 95+ CRI, with an elevated R9 value for 90+ CRI and above. Color consistency is maintained to within 2 SDCM. All LEDs have been tested in accordance with IESNA LM-80-08 and the results have shown L80 lumen maintenance greater than 60,000 hours. Absolute product photometry is measured and presented in accordance with IESNA LM-79, unless otherwise indicated.

Full spectrum static white

The full spectrum LED option offers improved color particularly in the cyan region that is beneficial in both healthcare and circadian lighting strategies. The cyan region in full spectrum LED is richer at the 480 nm range.

Chromawerx SOLA

Chromawerx SOLA is single-channel control that dims output while warming the color temperature in a pre-determined relationship. Two color temperature range options are offered: 3000K to 1800K, and 2700K to 1800K. A simple analog control adjusts a specially populated LED array to emulate the effect of dimming a filament source.

Chromawerx DUO

Chromawerx DUO offers a two-channel control system which uses analog or digital protocols for synchronous control of both cool to warm LED arrays - maintaining a CRI above 90. Two color temperature range options are offered: 6500K to 2700K, and 5000K to 2700K. The range of color DUO offers is useful for entraining circadian rhythms, stimulating alertness, and compensating for jet lag among other applications. The Chromawerx drivers are programmed to limit maximum light output and power usage across all color temperatures. When paired with DALI drivers (DDA/DDA8), color tuning follows a linear dimming curve.

ELECTRICAL

Unless otherwise specified, dimming down to 1%. At maximum driver load: efficiency>84%, PF>0.9, THD<20%. ELV and TRIAC dimming performance (including minimum dimming percentage) subject to dimmer selection.

Integral: 0-10V, ELV, TRIAC, DALI, eldoLED 0.1% SOLOdrive 0-10V, eldoLED 1% ECOdrive 0-10V

Remote: 0-10V, ELV, TRIAC, DALI, Lutron Hi-Lume 1% EcoSystem, eldoLED 0.1% SOLOdrive 0-10V, eldoLED 1% ECOdrive 0-10V, DMX, Lutron DALI-2 digital

Emergency battery options: Remotely-installed, long-life, high-temperature, maintenance-free, Bodine Lithium-Ion battery pack with self-test functionality, test switch and charge indicator. IOTA and Fulham options available upon request. Minimum of 90 minutes operation, and recharge time of 24 hours. For fixtures less than 10 W, the battery provides 6 W of emergency light output. For fixtures 10 W and over, the battery provides 10 W.

PoE

Depending on the PoE manufacturer selected, Lumenwerx will install the node in factory as either integral to the luminaire, or as a remote module. Factory programming of the PoE node may or may not enable the following functionalities: lumen package, DUO (tunable white), QUADRO (RGBW), emergency battery backup, and sensor integration. These must be addressed and evaluated on a case-by-case basis.

CONSTRUCTION

Housing: For new construction, 20 gauge powder coated steel. 18 gauge galvanized steel junction box with ½" trade size knockouts. Adjustable standard, 2" tall adjustable standard, adjustable standard for 6" wide grid system, flush mount, and adjustable commercial bar hangers are available as mounting options.

Ceiling thickness: Up to 1" standard. 0.5" ceiling thickness also available for restrained spaces.

Light element: Light element uses CoreConnect™ Technology, a magnetic, wire-free system that enables fast, secure connection and complete field serviceability.

Heat sink: Die-cast aluminum

Baffle: Die-cast aluminum

Trim style: Flanged trim, trimless with mudplate, deep flanged trim and deep trimless with mudplate

Finish: Matte white, matte black, satin silver, matte silver, champagne, dark bronze, and primer finish. Custom colors also available (provide RAL #). For the primer finish option, fixture must be turned off and the lens masked before applying paint.

WEIGHT

3.5 lbs - 1.6 kg

AERA SHALO 4"

RECESSED



LENS AND ACCESSORIES



Soft diffused lens, Solite



Frosted diffused lens



Clear lens



Linear spread



Hex louver

ENVIRONMENT

Ambient temperature at fixture location shall be within 0°C/32°F - 25°C/77°F, indoor dry or damp as well as outdoor damp use (canopies or marquees).

CERTIFICATIONS

ETL: Rated for indoor dry/damp locations. Conforms to UL Standard 1598 and certified to CAN/CSA Standard C22.2 No. 250.0.

IP44: IP44 rated for bathrooms, showers, outdoor canopies, and marquees when specified with the wet location (WET) option.

Chicago Plenum: City of Chicago approved (CCEA) when specified with CP installation type option.

IC rated: Suitable for direct contact with insulation when specified with IC or CP installation type options.

WARRANTY

Lumenwerx provides a five-year limited warranty on electrical and mechanical performance of the luminaires, including the LED boards, drivers, and auxiliary electronics. Lumenwerx will repair or replace defective luminaires or components at our discretion, provided they have been installed and operated in accordance with our specifications. Other limitations apply, please refer to the full warranty on our website.