

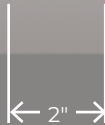
# AERA 2" DOWNLIGHT

ROUND RECESSED WALL WASH  
NEW CONSTRUCTION & REMODEL



Declare.

Wall Wash Trimless  
Drywall Mudplate



Wall Wash  
Flanged Trim



Aera recessed downlights are true to size, encased in minimalist housing, and suitable additions to any interior space where outstanding optical performance, maximal eye comfort, and/or an industry-leading wall wash are required.

### Ceiling Types



Drywall



Millwork



Wood Slat  
Consult factory



Acoustic Tile

### Installation Types

New Construction (Type Non-IC, Type-IC, CCEA)  
Remodel (Type Non-IC)

### Plenum Clearance

As low as 3 3/8"



### Beam Angle



Low UGR < 10

Wall Wash

### Performance

LUMEN OUTPUT <sup>1</sup>	WATTS	EFFICACY
414 lm	7 W	59 lm/W
557 lm	10 W	56 lm/W

<sup>1</sup> Lumen packages are assuming 3500K, 80+ CRI.

### Light Source

Static White  
Full Spectrum Static White  
SOLA - Dim-to-Warm  
DUO - Tunable White



### COB

2 Step Color Binning  
Up to 95+ CRI

### Drivers / Protocols

1%, 0.1% Dimming Available  
0-10V, TRIAC, ELV, Lutron EcoSystem, DALI, DMX  
Emergency Battery (optional)



Smart / Wireless Compatible

### Aera Family (Refer to other spec sheets) Downlight



2" / 3" / 4"  
Round / Square  
Recessed Adjustable



2" / 3" / 4"  
Round / Square  
Recessed



2" / 3" / 4"  
Round / Square  
Recessed Wall Wash

### Multi-aperture



2" / 3" / 4"  
Round / Square  
Recessed Adjustable



2" / 3" / 4"  
Round / Square  
Recessed



2" / 3" / 4"  
Round / Square  
Recessed Wall Wash

### Cylinder



2" / 3" / 4" / 5" / 6"  
4" Seal  
Pendant  
Pendant Asymmetric  
Pendant Wall Wash



2" / 3" / 4" / 5" / 6"  
4" Seal  
Wall  
Wall Asymmetric



2" / 3" / 4" / 5" / 6"  
4" Seal  
Surface  
Surface Asymmetric  
Surface Wall Wash

www.lumenwerx.com  
T (514) 225-4304

© Lumenwerx, ULC. All rights reserved.



Lumenwerx reserves the right to modify  
product specifications without notification.

AERA2-DOWNLIGHT-ROUND-RECESSED-WW-SPEC-REV8 February 11, 2026

# AERA 2" DOWNLIGHT

ROUND RECESSED WALL WASH  
NEW CONSTRUCTION & REMODEL



Project: \_\_\_\_\_

Type: \_\_\_\_\_

## Order Guide

1 - Housing (Example: AE2RRWW-TRM-SW-OF-ASB-120V-7W-D1-NA)



For a Title 24 JA8 compliant fixture, see page 3.

LUMINAIRE ID <sup>1</sup>	TRIM STYLE	LIGHT SOURCE	INSTALLATION TYPE	MOUNTING OPTION <sup>4</sup>
<b>AE2RRWW</b>				
<b>AE2RRWW</b> - Aera 2" Round Recessed Wall Wash  <sup>1</sup> Recessed (fixed) and Recessed Adjustable also available. Consult other spec sheets.	<b>TRM</b> - Flanged trim <b>TLMP</b> - Trimless drywall mudplate <b>TLMW</b> <sup>2</sup> - Trimless millwork  <sup>2</sup> For remodel (RM) installation type, TLMW adapter must be installed from above the ceiling or before ceiling is installed.	<b>SW</b> - Static white <b>FS</b> - Full spectrum static white  <b>SOLA</b> - Dim-to-warm single channel control <b>DUO</b> - Tunable white 2-channel control	<b>OF</b> - Open Frame Type Non-IC <b>IC</b> <sup>3</sup> - Type-IC <b>RM</b> - Remodel Type Non-IC <b>CP</b> <sup>3</sup> - Chicago Plenum Type-IC (CCEA) <b>AT</b> <sup>3</sup> - Airtight Type-IC  <sup>3</sup> Only available with 7 W or less.	<b>ASB</b> <sup>5</sup> - Adjustable standard bar hangers <b>FMB</b> <sup>5</sup> - Flush mount bars <b>ACB</b> <sup>5</sup> - Adjustable commercial bar hangers <b>AHC</b> <sup>5</sup> - Adjustable hat channel bars <b>NA</b> - No bar hangers  <sup>4</sup> See page 5 for more details. <sup>5</sup> Not available with RM installation type.
VOLTAGE	WATTAGE <sup>7</sup>	DIMMING <sup>9</sup>	OPTION <sup>15</sup>	
			<b>NA</b>	
<b>120V</b> - 120V <b>277V</b> - 277V <b>UNV</b> - 120V-277V <b>347V</b> <sup>6</sup> - 347V  <sup>6</sup> Available with RD1 driver only. Please consult factory.	<b>7W</b> - 7 W output, up to 414 lm <b>10W</b> <sup>8</sup> - 10 W output, up to 557 lm  <sup>7</sup> Lumen outputs are reduced with full spectrum, consult factory. <sup>8</sup> Not available with IC/CP/AT.	<b>INTEGRAL</b>  <b>D1</b> - 1% 0-10V <b>ELV</b> <sup>10</sup> - ELV 120V <b>TRI</b> <sup>10</sup> - TRIAC 120V  <sup>9</sup> PoE (Power-over-Ethernet) compatible. Consult factory for details. <sup>10</sup> Available with 120V only.	<b>REMOTE</b> <sup>11</sup>  <b>RD1</b> - 1% 0-10V <b>RELV</b> <sup>12</sup> - ELV 120V <b>RTRI</b> <sup>12</sup> - TRIAC 120V <b>RLDE1</b> <sup>13</sup> - Lutron Hi-lume 1% Eco <b>RDA</b> <sup>13</sup> - DALI <b>RELD1</b> - eldoLED 1% ECOdrive 0-10V <b>RELD0</b> - eldoLED 0.1% SOLOdrive 0-10V <b>+EB</b> <sup>14</sup> - Emergency battery  <sup>11</sup> A remote driver box is provided. <sup>12</sup> Available with 120V only. <sup>13</sup> On-site commissioning is required. <sup>14</sup> To specify, add +EB to the selected dimming option, e.g. RD1+EB.	<b>NA</b> - None  <sup>15</sup> To specify a JA8 compliant fixture, see page 3.
	<b>SOLA</b> <sup>8</sup> <b>10W</b> - 10 W output, up to 415 lm  <b>DUO</b> <sup>8</sup> <b>8W</b> - 8 W output, up to 370 lm	<b>SOLA</b> <b>SD1</b> - Single 0-10V input <b>SELV</b> <sup>10</sup> - ELV 120V <b>STRI</b> <sup>10</sup> - TRIAC 120V	<b>SOLA</b> <b>RSD1</b> - Single 0-10V input <b>RSELV</b> <sup>12</sup> - ELV 120V <b>RSTRI</b> <sup>12</sup> - TRIAC 120V	<b>DUO</b> <b>RDMX</b> <sup>13</sup> - DMX <b>RDDA</b> <sup>13</sup> - DALI DT6 <b>RDDA8</b> <sup>13</sup> - DALI DT8  <b>RDD1</b> - Dual 0-10V input for CCT/intensity <b>RLD2</b> <sup>13</sup> - Lutron DALI-2 digital <b>+EB</b> <sup>14</sup> - Emergency battery

2 - Light & Baffle (Example: AE2RRWWB-SW-7W-WW-2STP-90CRI-27K-TRM-WW-FTMW-FTMW-NA)

LUMINAIRE ID	LIGHT SOURCE	WATTAGE <sup>16</sup>	BEAM	COLOR QUALITY	CRI	COLOR TEMP.
	Specify same as Housing	Specify same as Housing				
<b>AE2RRWWB</b>			<b>WW</b>			
<b>AE2RRWWB</b> - Aera 2" Round Recessed Wall Wash	<b>SW</b> - Static white <b>FS</b> - Full spectrum static white	<b>7W</b> - 7 W output, up to 414 lm <b>10W</b> <sup>17</sup> - 10 W output, up to 557 lm  <sup>16</sup> Lumen outputs are reduced with full spectrum, consult factory. <sup>17</sup> Not available with IC/CP/AT.	<b>WW</b> - Wall wash	<b>2STP</b> <sup>18</sup> - 2 Step MacAdam Ellipse <b>3STP</b> - 3 Step MacAdam Ellipse  <sup>18</sup> Not available with full spectrum.	<b>80CRI</b> <sup>19</sup> - 80+ CRI <b>90CRI</b> <sup>19</sup> - 90+ CRI <b>95CRI</b> - 95+ CRI  <sup>19</sup> Not available with full spectrum.	<b>22K</b> <sup>20</sup> - 2200K <b>24K</b> <sup>21</sup> - 2400K <b>27K</b> - 2700K <b>30K</b> - 3000K <b>35K</b> - 3500K <b>40K</b> - 4000K <b>50K</b> <sup>21</sup> - 5000K  <sup>20</sup> Only available with 90+ CRI. <sup>21</sup> Not available with 95+ CRI.
	<b>SOLA</b> - Dim-to-warm single channel control <b>DUO</b> - Tunable white 2-channel control	<b>SOLA</b> <sup>17</sup> <b>10W</b> - 10 W output, up to 415 lm  <b>DUO</b> <sup>17</sup> <b>8W</b> - 8 W output, up to 370 lm		<b>3STP</b> - 3 Step MacAdam Ellipse	<b>90CRI</b> - 90+ CRI	<b>SOLA</b> <b>30K18K</b> - 3000K to 1800K <b>27K18K</b> - 2700K to 1800K <b>DUO</b> <b>65K27K</b> - 6500K to 2700K <b>50K27K</b> - 5000K to 2700K
TRIM STYLE	LENS	BAFFLE FINISH	TRIM FLANGE FINISH		OPTION <sup>23</sup>	
Specify same as Housing			Specify NA for Trimless			
	<b>WW</b>				<b>NA</b>	
<b>TRM</b> - Flanged trim <b>TLMP</b> - Trimless drywall mudplate <b>TLMW</b> <sup>22</sup> - Trimless millwork  <sup>22</sup> For remodel (RM) installation type, TLMW adapter must be installed from above the ceiling or before ceiling is installed.	<b>WW</b> - Wall wash diffuser	<b>FTMW</b> - Matte white <b>FTMB</b> - Matte black <b>FSPC</b> - Satin silver <b>FSSPC</b> - Matte silver <b>FCHP</b> - Champagne <b>FDBZ</b> - Dark bronze <b>FPF</b> - Primer finish <b>CF#</b> - Custom finish, specify RAL#	<b>FTMW</b> - Matte white <b>FTMB</b> - Matte black <b>FSPC</b> - Satin silver <b>FSSPC</b> - Matte silver <b>FCHP</b> - Champagne <b>FDBZ</b> - Dark bronze <b>FPF</b> - Primer finish <b>CF#</b> - Custom finish, specify RAL# <b>NA</b> - Not applicable	<b>NA</b> - None  <sup>23</sup> To specify a JA8 compliant fixture, see page 3.		



# AERA 2" DOWNLIGHT



ROUND RECESSED WALL WASH  
NEW CONSTRUCTION & REMODEL  
Title 24 JA8  
Order Guide

Project: \_\_\_\_\_  
Type: \_\_\_\_\_



## 1 - Housing (Example: AE2RRWW-TRM-SW-AT-ASB-120V-7W-D1-JA8)

LUMINAIRE ID <sup>1</sup>	TRIM STYLE	LIGHT SOURCE	INSTALLATION TYPE	MOUNTING OPTION <sup>2</sup>
<b>AE2RRWW</b>			<b>AT</b>	
<b>AE2RRWW</b> - Aera 2" Round Recessed Wall Wash  <sup>1</sup> Recessed (fixed) and Recessed Adjustable also available. Consult other spec sheets.	<b>TRM</b> - Flanged trim <b>TLMP</b> - Trimless drywall mudplate <b>TLMW</b> - Trimless millwork	<b>SW</b> - Static white  <b>SOLA</b> - Dim-to-warm single channel control	<b>AT</b> - Airtight Type-IC	<b>ASB</b> - Adjustable standard bar hangers <b>FMB</b> - Flush mount bars <b>ACB</b> - Adjustable commercial bar hangers <b>AHC</b> - Adjustable hat channel bars <b>NA</b> - None  <sup>2</sup> See page 5 for more details.

VOLTAGE	WATTAGE	DIMMING		OPTION
				<b>JA8</b>
<b>120V</b> - 120V <b>277V</b> - 277V	<b>7W</b> - 7 W output, up to 414 lm	<b>INTEGRAL</b>  <b>D1</b> - 1% 0-10V <b>ELV</b> <sup>3</sup> - ELV 120V <b>TRI</b> <sup>3</sup> - TRIAC 120V  <sup>3</sup> Available with 120V only.	<b>REMOTE</b> <sup>4</sup>  <b>RDI</b> - 1% 0-10V <b>RELV</b> <sup>5</sup> - ELV 120V <b>RTRI</b> <sup>5</sup> - TRIAC 120V <b>RLDEI</b> <sup>6</sup> - Lutron Hi-lume 1% Eco  <sup>4</sup> A remote driver box is provided. <sup>5</sup> Available with 120V only. <sup>6</sup> On-site commissioning is required.	<b>JA8</b> - JA8 compliant
	<b>8W</b> - 8 W output, up to 468 lm	<b>SDI</b> - Single 0-10V input <b>SELV</b> <sup>3</sup> - ELV 120V <b>STRI</b> <sup>3</sup> - TRIAC 120V	<b>RSDI</b> - Single 0-10V input <b>RSELV</b> <sup>5</sup> - ELV 120V <b>RSTRI</b> <sup>5</sup> - TRIAC 120V	

## 2 - Light & Baffle (Example: AE2RRWWB-SW-7W-WW-2STP-90CRI-27K-TRM-WW-FTMW-FTMW-JA8)

LUMINAIRE ID	LIGHT SOURCE Specify same as Housing	WATTAGE Specify same as Housing	BEAM	COLOR QUALITY	CRI	COLOR TEMP.
<b>AE2RRWWB</b>			<b>WW</b>		<b>90CRI</b>	
<b>AE2RRWWB</b> - Aera 2" Round Recessed Wall Wash	<b>SW</b> - Static white	<b>7W</b> - 7 W output, up to 414 lm	<b>WW</b> - Wall wash	<b>2STP</b> - 2 Step MacAdam Ellipse <b>3STP</b> - 3 Step MacAdam Ellipse	<b>90CRI</b> - 90+ CRI	<b>27K</b> - 2700K <b>30K</b> - 3000K <b>35K</b> - 3500K <b>40K</b> - 4000K
	<b>SOLA</b> - Dim-to-warm single channel control	<b>8W</b> - 8 W output, up to 468 lm		<b>3STP</b> - 3 Step MacAdam Ellipse		<b>SOLA</b> <sup>7</sup> - Dim-to-warm single channel control  <sup>7</sup> 3500K to 2200K

TRIM STYLE Specify same as Housing	LENS	BAFFLE FINISH	TRIM FLANGE FINISH Specify NA for Trimless	OPTION
	<b>WW</b>			<b>JA8</b>
<b>TRM</b> - Flanged trim <b>TLMP</b> - Trimless drywall mudplate <b>TLMW</b> - Trimless millwork	<b>WW</b> - Wall wash diffuser	<b>FTMW</b> - Matte white <b>FTMB</b> - Matte black <b>FSPPC</b> - Satin silver <b>FSSPC</b> - Matte silver <b>FCHP</b> - Champagne <b>FDBZ</b> - Dark bronze <b>PPF</b> - Primer finish <b>CF#</b> - Custom finish, specify RAL#	<b>FTMW</b> - Matte white <b>FTMB</b> - Matte black <b>FSPPC</b> - Satin silver <b>FSSPC</b> - Matte silver <b>FCHP</b> - Champagne <b>FDBZ</b> - Dark bronze <b>PPF</b> - Primer finish <b>CF#</b> - Custom finish, specify RAL# <b>NA</b> - Not applicable	<b>JA8</b> - JA8 compliant



# AERA 2" DOWNLIGHT



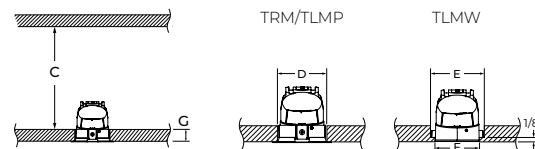
ROUND RECESSED WALL WASH  
NEW CONSTRUCTION & REMODEL

## Housing

INSTALLATION TYPES		
OF - Open Frame Type Non-IC	IC - Type-IC	CP - Chicago Plenum Type-IC (CCEA) AT - Airtight Type-IC
RM - Remodel Type Non-IC		
Integral	Remote	

- For height dimension C, see the PLENUM CLEARANCE & CUT-OUT DIMENSIONS table below.
- For OF, IC, CP, and AT installation types with remote dimming, a remote driver box is provided.
- Clearance between sides of luminaire and parts of building must be 1/2" minimum; clearance to insulating materials to be 3" minimum, unless luminaires are IC rated.

## PLENUM CLEARANCE & CUT-OUT DIMENSIONS



C	PLENUM CLEARANCE HEIGHT				
	REMOTE & INTEGRAL			INTEGRAL	REMOTE
	OF	IC	CP/AT	RM	RM
	4"	4"	4"	5 1/8"	3 3/8"

D E F	CUT-OUT DIMENSIONS	
	TRM/TLMP	∅ 2 1/2"
	TLMW	∅ 2 1/2"
		∅ 2 1/16" with 1/8" lip

G	MAXIMUM CEILING THICKNESS	
	TRM/TLMP	1"
	TLMW	5/8"

# AERA 2" DOWNLIGHT

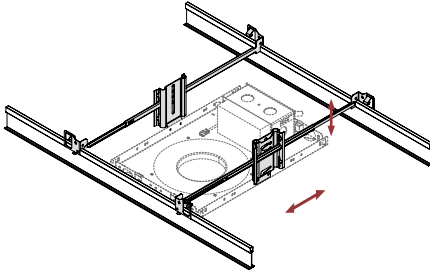


ROUND RECESSED WALL WASH  
NEW CONSTRUCTION & REMODEL

## Housing

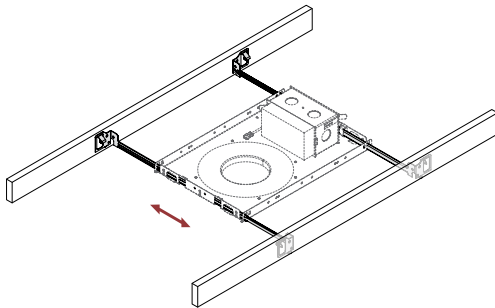
### MOUNTING OPTIONS

#### ASB - Adjustable Standard Bar Hangers



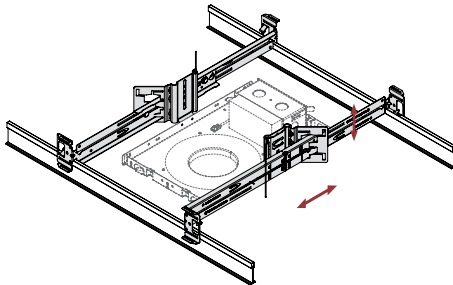
Adjustable Standard Bar hangers can be used in both commercial and residential applications and are adjustable to various heights in both Grid Ceiling and Drywall mounting. ASB hangers are less rigid and versatile than ACB hangers.

#### FMB - Flush Mount Bars



Flush Mount Bars are best used in residential applications, fitting snug to the surface and suitable for Wood, Metal, and Drywall mounting. The flush mounted bars are static and can't be adjusted.

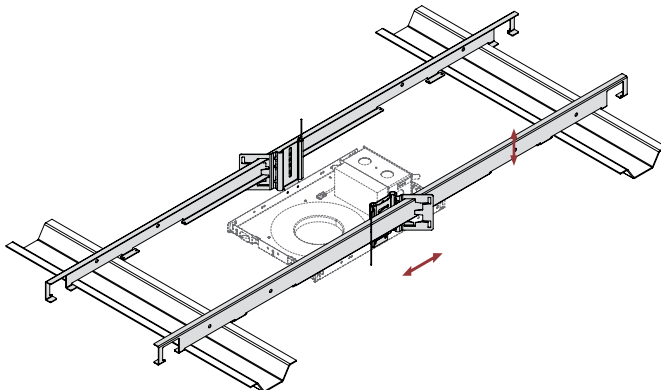
#### ACB - Adjustable Commercial Bar Hangers



Adjustable Commercial Bar hangers can be used in both commercial and residential applications and are by far the most versatile mounting bar we offer with its adjustability to various heights. ACB hangers are suitable for Grid Ceiling, Drywall, Metal, Wood and Frame mounting.

- Extremely rigid
- Fits into C-Channel notches in a Butterfly Bracket

#### AHC - Adjustable Hat Channel Bars



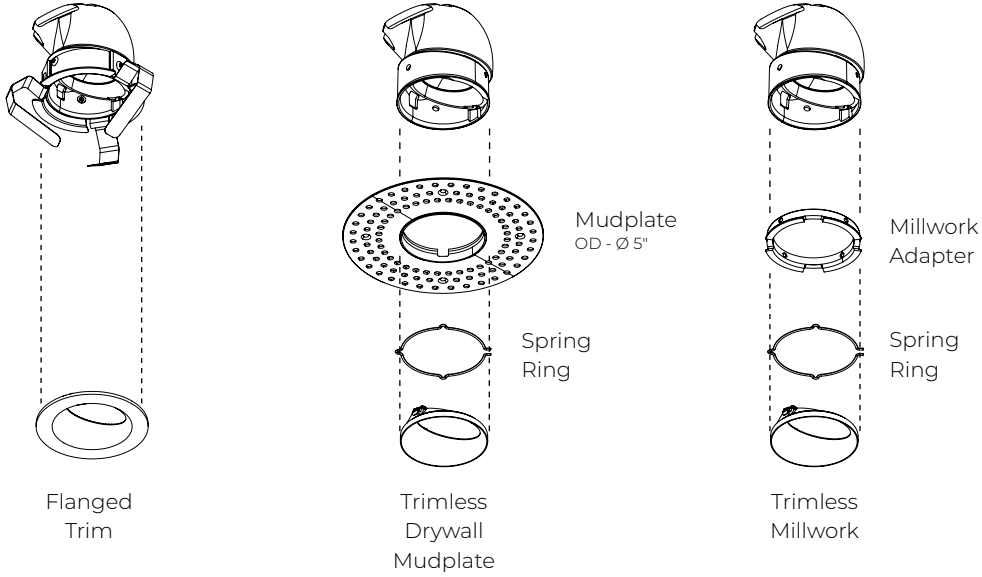
Adjustable Hat Channel bars can be used in both commercial and residential applications and come with a butterfly clip to adjust to various heights. AHC bars can be hung downward by 90 degrees in vertical position, and once wired, can be shifted onto the horizontal mounting plane. AHC bars are suitable for both Drywall and wood ceiling applications.

# AERA 2" DOWNLIGHT

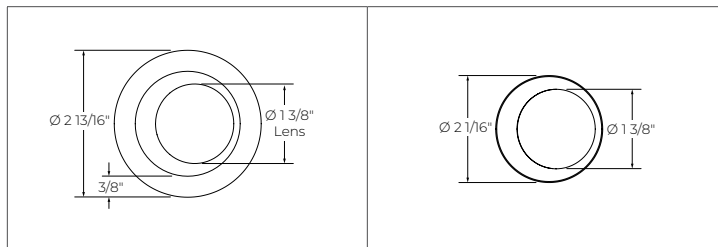


ROUND RECESSED WALL WASH  
NEW CONSTRUCTION & REMODEL

## Light & Baffle



Wall Wash	
TRM Flanged Trim	TLMP/TLMW Trimless Drywall Mudplate /Trimless Millwork
<p> Baffle finish</p> <p> Trim flange finish</p>	

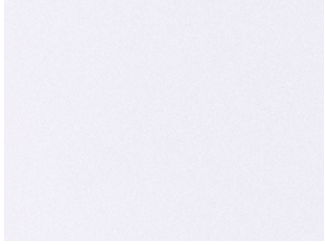


# AERA 2" DOWNLIGHT

ROUND RECESSED WALL WASH  
NEW CONSTRUCTION & REMODEL



## Finishes



**FTMW** - Matte white



**FTMB** - Matte black



**FSPC** - Satin silver



**FSSPC** - Matte silver



**FCHP** - Champagne



**FDBZ** - Dark bronze



**FPF** - Primer finish

# AERA 2" DOWNLIGHT

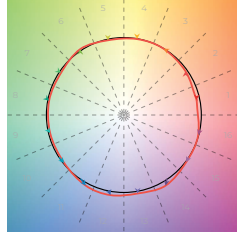


ROUND RECESSED WALL WASH  
NEW CONSTRUCTION & REMODEL

## Color Quality

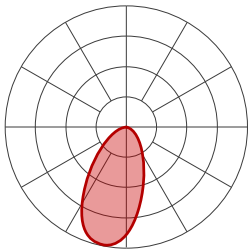
### COLOR QUALITY - 3500K

TM-30 Rr	91
TM-30 Ra	100
CRI	90+
R9	> 50



## Photometrics

Values calculated with white wall wash baffle, and based on 3500K for static white.



### STATIC WHITE

CRI	80+ CRI		90+ CRI		95+ CRI	
	lm	lm/W	lm	lm/W	lm	lm/W
7 W	414	59	387	55	298	43
10 W	557	56	521	52	401	40

## MULTIPLIERS

Please follow the multiplier tables to ensure correct lumen value. CCT and baffle colors will change the lumen value.

CCT		BAFFLE STYLE AND COLOR	
2200K	0.80	Flanged trim	1
2400K	0.87	Trimless	1
2700K	0.94	White	1
3000K	0.98	Black	1
3500K	1		
4000K	1.05		
5000K	1.05		

For SOLA and DUO, please consult factory.



# AERA 2" DOWNLIGHT



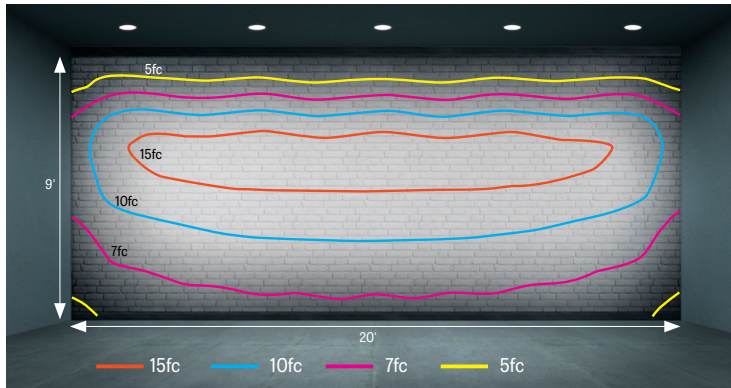
## ROUND RECESSED WALL WASH NEW CONSTRUCTION & REMODEL

### Photometrics

#### UNIFORMITY

Values calculated based on 3500K and white wall wash baffle.

24" from Wall - 36" Spacing



#### Foot-candles

FC ON WALL		24" FROM WALL - 24" SPACING			24" FROM WALL - 36" SPACING			24" FROM WALL - 48" SPACING		
		80+ CRI	90+ CRI	95+ CRI	80+ CRI	90+ CRI	95+ CRI	80+ CRI	90+ CRI	95+ CRI
ABOVE FINISHED FLOOR	9'	5	4	3	3	3	2	2	2	2
	8'	17	16	12	10	10	7	8	8	6
	7'	24	22	17	15	14	11	11	11	8
	6'	22	21	16	14	13	10	11	10	8
	5'	18	16	13	12	11	8	9	8	6
	4'	14	13	10	9	9	7	7	7	5
	3'	11	10	8	7	7	5	6	5	4
	2'	9	9	7	6	6	5	5	5	3
	1'	8	8	6	6	5	4	4	4	3

# AERA 2" DOWNLIGHT

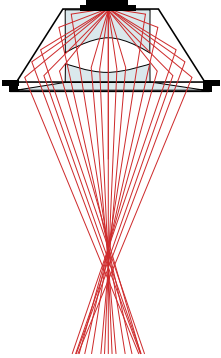
ROUND RECESSED WALL WASH  
NEW CONSTRUCTION & REMODEL



## Technical Specifications

### OPTIC

XPoint™ Refraction Technology optics provide precise optical control in a remarkably compact form. Micro optical paths from the chip on board converge and then disperse in precise beam angles, resulting in a crisp and exacting light quality.



### LIGHT SOURCE

#### Static white

Compact COB (Chip-On-Board) LED module, available in 2200K, 2400K, 2700K, 3000K, 3500K, 4000K, and 5000K with a choice of 80+ CRI, 90+ CRI, or 95+ CRI, with elevated R9 value for 90+ CRI and above. Color consistency is maintained to within 2 SDCM. All LEDs have been tested in accordance with IESNA LM-80-08 and the results have shown L80 lumen maintenance greater than 60,000 hours. Absolute product photometry is measured and presented in accordance with IESNA LM-79, unless otherwise indicated.

#### Full spectrum static white

The full spectrum LED option offers improved color particularly in the cyan region that is beneficial in both healthcare and circadian lighting strategies. The cyan region in full spectrum LED is richer at the 480 nm range.

#### Chromawerx SOLA

Chromawerx SOLA is single-channel control that dims output while warming the color temperature in a pre-determined relationship. Two color temperature range options are offered: 3000K to 1800K, and 2700K to 1800K. A simple analog control adjusts a specially populated LED array to emulate the effect of dimming a filament source.

#### Chromawerx DUO

Chromawerx DUO offers a two-channel control system which uses analog or digital protocols for synchronous control of both cool to warm LED arrays - maintaining a CRI above 90. Two color temperature range options are offered: 6500K to 2700K, and 5000K to 2700K. The range of color DUO offers is useful for entraining circadian rhythms, stimulating alertness, and compensating for jet lag among other applications. The Chromawerx drivers are programmed to limit maximum light output and power usage across all color temperatures. When paired with DALI drivers (DDA/DDA8), color tuning follows a linear dimming curve.

### ELECTRICAL

Unless otherwise specified, dimming down to 1%. At maximum driver load: efficiency>84%, PF>0.9, THD<20%.

ELV and TRIAC dimming performance (including minimum dimming percentage) subject to dimmer selection.

**Integral:** 0-10V, ELV, TRIAC

**Remote:** 0-10V, ELV, TRIAC, Lutron Hi-Lume 1% EcoSystem, DALI, eldoLED 0.1% SOLOdrive 0-10V, eldoLED 1% ECOdrive 0-10V, DMX, Lutron DALI-2 digital

**Emergency battery options:** Remotely-installed, long-life, high-temperature, maintenance-free, Bodine Lithium-Ion battery pack with self-test functionality, test switch and charge indicator. IOTA and Fulham options available upon request. Minimum of 90 minutes operation, and recharge time of 24 hours. For fixtures less than 10 W, the battery provides 6 W of emergency light output. For fixtures 10 W and over, the battery provides 10 W.

### PoE

Depending on the PoE manufacturer selected, Lumenwerx will install the node in factory as either integral to the luminaire or as a remote module. Factory programming of the PoE node may or may not enable the following functionalities: lumen package, DUO (tunable white), QUADRO (RGBW), emergency battery backup, and sensor integration. These must be addressed and evaluated on a case-by-case basis.

### CONSTRUCTION

#### Housing

For new construction, 20 gauge powder coated steel. Open frame, type-IC, or Chicago Plenum (CCEA) rated. 18 gauge galvanized steel junction box with ½" trade size knockouts. Adjustable standard, flush mount, adjustable commercial, and adjustable hat channel bar hangers are available as mounting options.

# AERA 2" DOWNLIGHT



## ROUND RECESSED WALL WASH NEW CONSTRUCTION & REMODEL

### Light element

**LED module:** Integral COB module. 90+ CRI and 2 SDCM, Standard with options of 80+ CRI, or 95+ CRI. L80 > 60,000 hours.

**XPoint™ Refraction Technology optic:** Micro optical paths from the chip on board converge and then disperse in precise beam angles, resulting in a crisp and exacting light quality.

**Thermal management:** Die-cast aluminum heat sink to maximize thermal dissipation.

**Baffle:** Die-cast aluminum mounted with retaining spring clips

**Trim style:** Trimmed and trimless with mudplate or millwork adapter

**Finish:** Matte white, matte black, satin silver, matte silver, champagne, dark bronze, and primer finish. Custom colors also available (provide RAL #). For the primer finish option, fixture must be turned off and the lens masked before applying paint.

### WEIGHT

**Open frame:** 4.0 lbs - 1.8 kg

**Type-IC:** 6.5 lbs - 2.9 kg

**Chicago Plenum:** 6.5 lbs - 2.9 kg

**Remodel:** 2.25 lbs - 1.0 kg

### ENVIRONMENT

Ambient temperature at fixture location shall be within 0°C/32°F - 25°C/77°F, indoor dry or damp as well as outdoor damp use (canopies or marquees).

### CERTIFICATIONS

**ETL:** Rated for indoor dry/damp locations. Conforms to UL Standard 1598 and certified to CAN/CSA Standard C22.2 No. 250.0.

**Chicago Plenum:** City of Chicago approved (CCEA) when specified with CP installation type option.

**IC rated:** Suitable for direct contact with insulation when specified with IC, CP or AT installation type options.

**Title 24 JAB:** California Building Standards Code

**Declare:** [LBC Red List Approved](#)

### WARRANTY

Lumenwerx provides a five-year limited warranty on electrical and mechanical performance of the luminaires, including the LED boards, drivers, and auxiliary electronics. Lumenwerx will repair or replace defective luminaires or components at our discretion, provided they have been installed and operated in accordance with our specifications. Other limitations apply, please refer to the full warranty on our website.