

AERA 2" DOWNLIGHT

SQUARE RECESSED ADJUSTABLE
NEW CONSTRUCTION & REMODEL



Bevel Trimless
Drywall Mudplate



Bevel
Flanged Trim



Aera recessed downlights are true to size, encased in minimalist housing, and suitable additions to any interior space where outstanding optical performance, maximal eye comfort, and/or an industry-leading wall wash are required.

Ceiling Types



Drywall



Millwork



Wood Slat
Consult factory



Acoustic Tile

Installation Types

New Construction (Type Non-IC, Type-IC, CCEA)
Remodel (Type Non-IC)

Plenum Clearance



Beam Angles



Low UGR < 10 in 10°, 15°, 25°, 35°, and 50° beams
Up to 355° rotation and 35° tilt

Performance

LUMEN OUTPUT 1	WATTS	EFFICACY
552 lm	7 W	79 lm/W
727 lm	10 W	73 lm/W

¹Lumen packages are assuming 3500K, 80+ CRI, 35° beam, with SDL lens option.

Light Source

Static White
Full Spectrum Static White
SOLA - Dim-to-Warm
DUO - Tunable White



COB

2 Step Color Binning
Up to 95+ CRI

Drivers / Protocols

1%, 0.1% Dimming Available
0-10V, TRIAC, ELV, Lutron EcoSystem, DALI, DMX
Emergency Battery (optional)



Smart / Wireless Compatible

Aera Family (Refer to other spec sheets) Downlight



2" / 3" / 4"
Round / Square
Recessed Adjustable



2" / 3" / 4"
Round / Square
Recessed



2" / 3" / 4"
Round / Square
Recessed Wall Wash

Multi-aperture



2" / 3" / 4"
Round / Square
Recessed Adjustable



2" / 3" / 4"
Round / Square
Recessed



2" / 3" / 4"
Round / Square
Recessed Wall Wash

Cylinder



2" / 3" / 4" / 5" / 6"
4" Seal
Pendant
Pendant Asymmetric
Pendant Wall Wash



2" / 3" / 4" / 5" / 6"
4" Seal
Wall
Wall Asymmetric



2" / 3" / 4" / 5" / 6"
4" Seal
Surface
Surface Asymmetric
Surface Wall Wash

www.lumenwerx.com
T (514) 225-4304

© Lumenwerx, ULC. All rights reserved.



Lumenwerx reserves the right to modify
product specifications without notification.

AERA2-DOWNLIGHT-SQUARE-RECESSED-ADJUSTABLE-SPEC-REV8 January 2, 2026

AERA 2" DOWNLIGHT

SQUARE RECESSED ADJUSTABLE
NEW CONSTRUCTION & REMODEL



Project: _____
Type: _____

Order Guide

1 - Housing (Example: AE2SRA-TRM-SW-OF-ASB-120V-7W-D1-NA)



For a Title 24 JA8 compliant fixture, see page 3.

LUMINAIRE ID ¹	TRIM STYLE	LIGHT SOURCE	INSTALLATION TYPE	MOUNTING OPTION ⁵
AE2SRA				
AE2SRA - Aera 2" Square Recessed Adjustable ¹ Recessed (fixed) and Recessed Wall Wash also available. Consult other spec sheets.	TRM - Flanged trim TLMW - Trimless drywall mudplate TLMW ² - Trimless millwork ² For remodel (RM) installation type, TLMW adapter must be installed from above the ceiling or before ceiling is installed.	SW - Static white FS ³ - Full spectrum static white ³ Not available with 10° or 15° beam. SOLA - Dim-to-warm single channel control DUO - Tunable white 2-channel control	OF - Open Frame Type Non-IC IC ⁴ - Type-IC RM - Remodel Type Non-IC CP ⁴ - Chicago Plenum Type-IC (CCEA) AT ⁴ - Airtight Type-IC ⁴ Only available with 7 W or less.	ASB ⁶ - Adjustable standard bar hangers FMB ⁶ - Flush mount bars ACB ⁶ - Adjustable commercial bar hangers AHC ⁶ - Adjustable hat channel bars NA - No bar hangers ⁵ See page 5 for more details. ⁶ Not available with RM installation type.
VOLTAGE	WATTAGE ⁸	DIMMING ¹⁰	OPTION ¹⁶	
			NA	
120V - 120V 277V - 277V UNV - 120V-277V 347V ⁷ - 347V ⁷ Available with RDI driver only. Please consult factory.	7W - 7 W output, up to 560 lm 10W ⁹ - 10 W output, up to 736 lm ⁸ Lumen outputs are reduced with full spectrum, consult factory. ⁹ Not available with IC/CP/AT.	INTEGRAL DI - 1% 0-10V ELV ¹¹ - ELV 120V TRI ¹¹ - TRIAC 120V ¹⁰ PoE (Power-over-Ethernet) compatible. Consult factory for details. ¹¹ Available with 120V only.	REMOTE ¹² RD1 - 1% 0-10V RELV ¹³ - ELV 120V RTRI ¹³ - TRIAC 120V RLDE1 ¹⁴ - Lutron Hi-lume 1% Eco ¹² A remote driver box is provided. ¹³ Available with 120V only. ¹⁴ On-site commissioning is required. ¹⁵ To specify, add +EB to the selected dimming option, e.g. RD1+EB.	NA - None ¹⁶ To specify a JA8 compliant fixture, see page 3. RDA ¹⁴ - DALI RELD1 - eldoLED 1% ECOdrive 0-10V RELD0 - eldoLED 0.1% SOLODrive 0-10V +EB ¹⁵ - Emergency battery DUO RDMX ¹⁴ - DMX RDDA ¹⁴ - DALI DT6 RDDA8 ¹⁴ - DALI DT8 RDD1 - Dual 0-10V input for CCT/intensity RLD2 ¹⁴ - Lutron DALI-2 digital +EB ¹⁵ - Emergency battery
	SOLA ⁹ 10W - 10 W output, up to 525 lm DUO ⁹ 8W - 8 W output, up to 500 lm	SOLA SDI - Single 0-10V input SELV ¹¹ - ELV 120V STRI ¹¹ - TRIAC 120V	SOLA RSD1 - Single 0-10V input RSELV ¹³ - ELV 120V RSTRI ¹³ - TRIAC 120V	DUO RDMX ¹⁴ - DMX RDDA ¹⁴ - DALI DT6 RDDA8 ¹⁴ - DALI DT8 RDD1 - Dual 0-10V input for CCT/intensity RLD2 ¹⁴ - Lutron DALI-2 digital +EB ¹⁵ - Emergency battery

2 - Light & Baffle (Example: AE2SRAB-SW-7W-15DEG-2STP-90CRI-27K-LSDL+LS-TRM-CL-FTMW-FTMW-NA)

LUMINAIRE ID	LIGHT SOURCE	WATTAGE ¹⁸	BEAM	COLOR QUALITY	CRI	COLOR TEMP.
AE2SRAB						
AE2SRAB - Aera 2" Square Recessed Adjustable Bevel	SW - Static white FS ¹⁷ - Full spectrum static white ¹⁷ Not available with 10° or 15° beam.	7W - 7 W output, up to 560 lm 10W ¹⁹ - 10 W output, up to 736 lm ¹⁸ Lumen outputs are reduced with full spectrum, consult factory. ¹⁹ Not available with IC/CP/AT.	10DEG - 10° Very narrow spot 15DEG - 15° Narrow spot 25DEG - 25° Spot 35DEG - 35° Narrow flood 50DEG - 50° Wide flood 80DEG - 80° Very wide flood 90DEG - 90° Open flood	2STP ²⁰ - 2 Step MacAdam Ellipse 3STP - 3 Step MacAdam Ellipse ²⁰ Not available with full spectrum.	80CRI ²¹ - 80+ CRI 90CRI ²¹ - 90+ CRI 95CRI - 95+ CRI ²¹ Not available with full spectrum.	22K ²² - 2200K 24K ²³ - 2400K 27K - 2700K 30K - 3000K 35K - 3500K 40K - 4000K 50K ²³ - 5000K ²² Only available with 90+ CRI. ²³ Not available with 95+ CRI. SOLA 30K18K - 3000K to 1800K 27K18K - 2700K to 1800K DUO 65K27K - 6500K to 2700K 50K27K - 5000K to 2700K
	SOLA - Dim-to-warm single channel control DUO - Tunable white 2-channel control	SOLA ¹⁹ 10W - 10 W output, up to 525 lm DUO ¹⁹ 8W - 8 W output, up to 500 lm	25DEG - 25° Spot 35DEG - 35° Narrow flood 60DEG - 60° Wide flood 80DEG - 80° Very wide flood 90DEG - 90° Open flood	3STP - 3 Step MacAdam Ellipse	90CRI - 90+ CRI	
ACCESSORIES [*]	TRIM STYLE	LENS [*]	BAFFLE FINISH	TRIM FLANGE FINISH	OPTION ²⁸	
See page 6 for details	Specify same as Housing	See page 6 for details		Specify NA for Bevel Trimless		
At light element ^{24,25} (choose up to 2 options for SW/FS and 1 option for SOLA/DUO) LSDL - Soft diffused lens, Solite LFDL - Frosted diffused lens LS - Linear spread HEX ²⁶ - Hex louver NA - None ²⁴ Separate codes with a "*" if more than one is specified, e.g. LSDL+LS. ²⁵ LSDL and LFDL cannot be combined. LS and HEX cannot be combined. ²⁶ Not available with 80°/90° beam options.	TRM - Flanged trim TLMW - Trimless drywall mudplate TLMW ²⁷ - Trimless millwork ²⁷ For remodel (RM) installation type, TLMW adapter must be installed from above the ceiling or before ceiling is installed.	At baffle (choose 1 option) SDL - Soft diffused lens, Solite FDL - Frosted diffused lens CL - Clear lens NOL - No lens	FTMW - Matte white FTMB - Matte black FSPC - Satin silver FSSPC - Matte silver FCHP - Champagne FDBZ - Dark bronze FPF - Primer finish CF# - Custom finish, specify RAL#	FTMW - Matte white FTMB - Matte black FSPC - Satin silver FSSPC - Matte silver FCHP - Champagne FDBZ - Dark bronze FPF - Primer finish CF# - Custom finish, specify RAL# NA - Not applicable	WET ²⁹ - Wet location NA - None ²⁸ To specify a JA8 compliant fixture, see page 3. ²⁹ Must be specified with the flanged trim (TRM), and either SDL, FDL, or CL lens options.	

* LSDL or LFDL at light element cannot be combined with SDL or FDL at baffle.

www.lumenwerx.com
T (514) 225-4304

© Lumenwerx, ULC. All rights reserved.



Lumenwerx reserves the right to modify product specifications without notification.

AERA2-DOWNLIGHT-SQUARE-RECESSED-ADJUSTABLE-SPEC-REV8 January 2, 2026

AERA 2" DOWNLIGHT

SQUARE RECESSED ADJUSTABLE
NEW CONSTRUCTION & REMODEL
Title 24 JA8
Order Guide



Project: _____
Type: _____



1 - Housing (Example: AE2SRA-TRM-SW-AT-ASB-120V-7W-D1-JA8)

LUMINAIRE ID ¹	TRIM STYLE	LIGHT SOURCE	INSTALLATION TYPE	MOUNTING OPTION ²
AE2SRA			AT	
AE2SRA - Aera 2" Square Recessed Adjustable ¹ Recessed (fixed) and Recessed Wall Wash also available. Consult other spec sheets.	TRM - Flanged trim TLMP - Trimless drywall mudplate TLMW - Trimless millwork	SW - Static white SOLA - Dim-to-warm single channel control	AT - Airtight Type-IC	ASB - Adjustable standard bar hangers FMB - Flush mount bars ACB - Adjustable commercial bar hangers AHC - Adjustable hat channel bars NA - None ² See page 5 for more details.

VOLTAGE	WATTAGE	DIMMING		OPTION
				JA8
120V - 120V 277V - 277V	7W - 7 W output, up to 560 lm	INTEGRAL D1 - 1% 0-10V ELV ³ - ELV 120V TRI ³ - TRIAC 120V ³ Available with 120V only.	REMOTE ⁴ RDI - 1% 0-10V RELV ⁵ - ELV 120V RTRI ⁵ - TRIAC 120V RLDEI ⁶ - Lutron Hi-lume 1% Eco ⁴ A remote driver box is provided. ⁵ Available with 120V only. ⁶ On-site commissioning is required.	JA8 - JA8 compliant
	8W - 8 W output, up to 250 lm	SDI - Single 0-10V input SELV ³ - ELV 120V STRI ³ - TRIAC 120V	RSDI - Single 0-10V input RSELV ⁵ - ELV 120V RSTRI ⁵ - TRIAC 120V	

2 - Light & Baffle (Example: AE2SRAB-SW-7W-15DEG-2STP-90CRI-27K-NA-TRM-SDL-FTMW-FTMW-JA8+WET)

LUMINAIRE ID	LIGHT SOURCE Specify same as Housing	WATTAGE Specify same as Housing	BEAM	COLOR QUALITY	CRI	COLOR TEMP.
AE2SRAB					90CRI	
AE2SRAB - Aera 2" Square Recessed Adjustable Bevel	SW - Static white	7W - 7 W output, up to 560 lm	15DEG - 15° Narrow spot 25DEG - 25° Spot 35DEG - 35° Narrow flood 50DEG - 50° Wide flood 80DEG - 80° Very wide flood 90DEG - 90° Open flood	2STP - 2 Step MacAdam Ellipse 3STP - 3 Step MacAdam Ellipse	90CRI - 90+ CRI	27K - 2700K 30K - 3000K 35K - 3500K 40K - 4000K
	SOLA - Dim-to-warm single channel control	8W - 8 W output, up to 250 lm	50DEG - 50° Wide flood	3STP - 3 Step MacAdam Ellipse		SOLA ⁷ - Dim-to-warm single channel control ⁷ 3500K to 2200K

ACCESSORY * See page 6 for details	TRIM STYLE Specify same as Housing	LENS * See page 6 for details	BAFFLE FINISH	TRIM FLANGE FINISH Specify NA for Bevel Trimless	OPTIONS
					JA8
At light element LSDL - Soft diffused lens, Solite LFDL - Frosted diffused lens NA - None	TRM - Flanged trim TLMP - Trimless drywall mudplate TLMW - Trimless millwork	At baffle SDL - Soft diffused lens, Solite FDL - Frosted diffused lens CL - Clear lens NOL - No lens	FTMW - Matte white FTMB - Matte black FSPC - Satin silver FSSPC - Matte silver FCHP - Champagne FDBZ - Dark bronze FPF - Primer finish CF# - Custom finish, specify RAL#	FTMW - Matte white FTMB - Matte black FSPC - Satin silver FSSPC - Matte silver FCHP - Champagne FDBZ - Dark bronze FPF - Primer finish CF# - Custom finish, specify RAL# NA - Not applicable	JA8 - JA8 compliant WET ^{8,9} - Wet location ⁸ Must be specified with the flanged trim (TRM), and either SDL, FDL, or CL lens options. ⁹ To specify the WET option, the code will be JA8+WET.

* LSDL or LFDL at light element cannot be combined with SDL or FDL at baffle. For SOLA, one of the following lenses must be specified: SDL, FDL, LSDL, or LFDL.

AERA 2" DOWNLIGHT



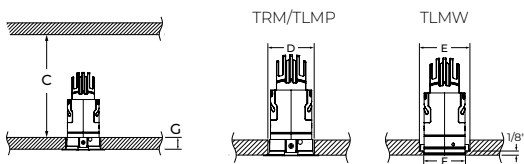
SQUARE RECESSED ADJUSTABLE
NEW CONSTRUCTION & REMODEL

Housing

INSTALLATION TYPES		
OF - Open Frame Type Non-IC	IC - Type-IC	CP - Chicago Plenum Type-IC (CCEA) AT - Airtight Type-IC
RM - Remodel Type Non-IC		
Integral	Remote	

- For height dimension C, see the PLENUM CLEARANCE & CUT-OUT DIMENSIONS table below.
- For OF, IC, CP, and AT installation types with remote dimming, a remote driver box is provided.
- Clearance between sides of luminaire and parts of building must be 1/2" minimum; clearance to insulating materials to be 3" minimum, unless luminaires are IC rated.

PLENUM CLEARANCE & CUT-OUT DIMENSIONS



PLENUM CLEARANCE HEIGHT				
C	REMOTE & INTEGRAL			
	OF	IC	CP/AT	RM
C	5"	5 1/8"	5 1/8"	5 1/8"

CUT-OUT DIMENSIONS		
D	TRM/TLMP	2 1/2" x 2 1/2"
E	TLMW	2 1/2" x 2 1/2"
F	TLMW	2 1/16" x 2 1/16" with 1/8" lip

MAXIMUM CEILING THICKNESS		
G	TRM/TLMP	1"
	TLMW	5/8"

AERA 2" DOWNLIGHT

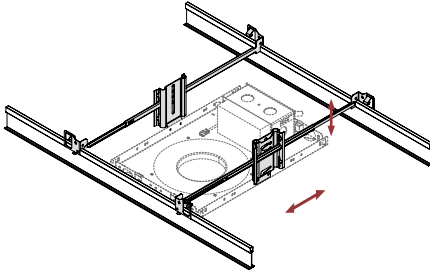


SQUARE RECESSED ADJUSTABLE
NEW CONSTRUCTION & REMODEL

Housing

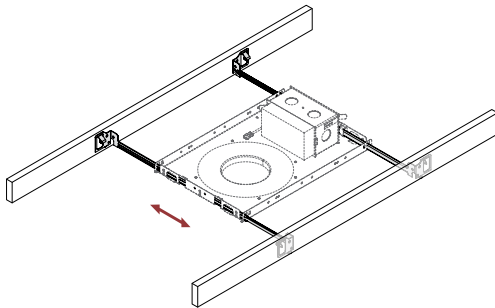
MOUNTING OPTIONS

ASB - Adjustable Standard Bar Hangers



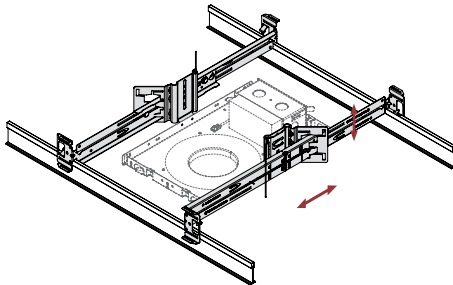
Adjustable Standard Bar hangers can be used in both commercial and residential applications and are adjustable to various heights in both Grid Ceiling and Drywall mounting. ASB hangers are less rigid and versatile than ACB hangers.

FMB - Flush Mount Bars



Flush Mount Bars are best used in residential applications, fitting snug to the surface and suitable for Wood, Metal, and Drywall mounting. The flush mounted bars are static and can't be adjusted.

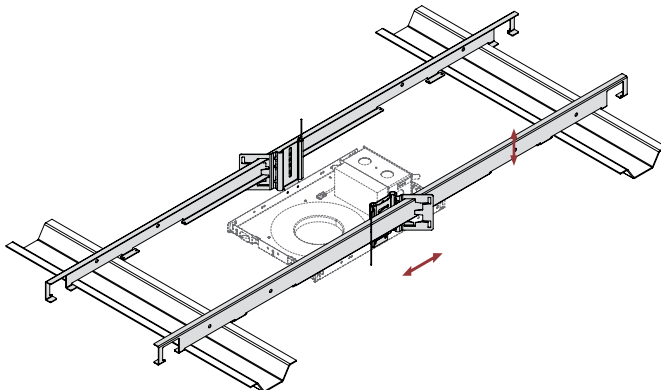
ACB - Adjustable Commercial Bar Hangers



Adjustable Commercial Bar hangers can be used in both commercial and residential applications and are by far the most versatile mounting bar we offer with its adjustability to various heights. ACB hangers are suitable for Grid Ceiling, Drywall, Metal, Wood and Frame mounting.

- Extremely rigid
- Fits into C-Channel notches in a Butterfly Bracket

AHC - Adjustable Hat Channel Bars



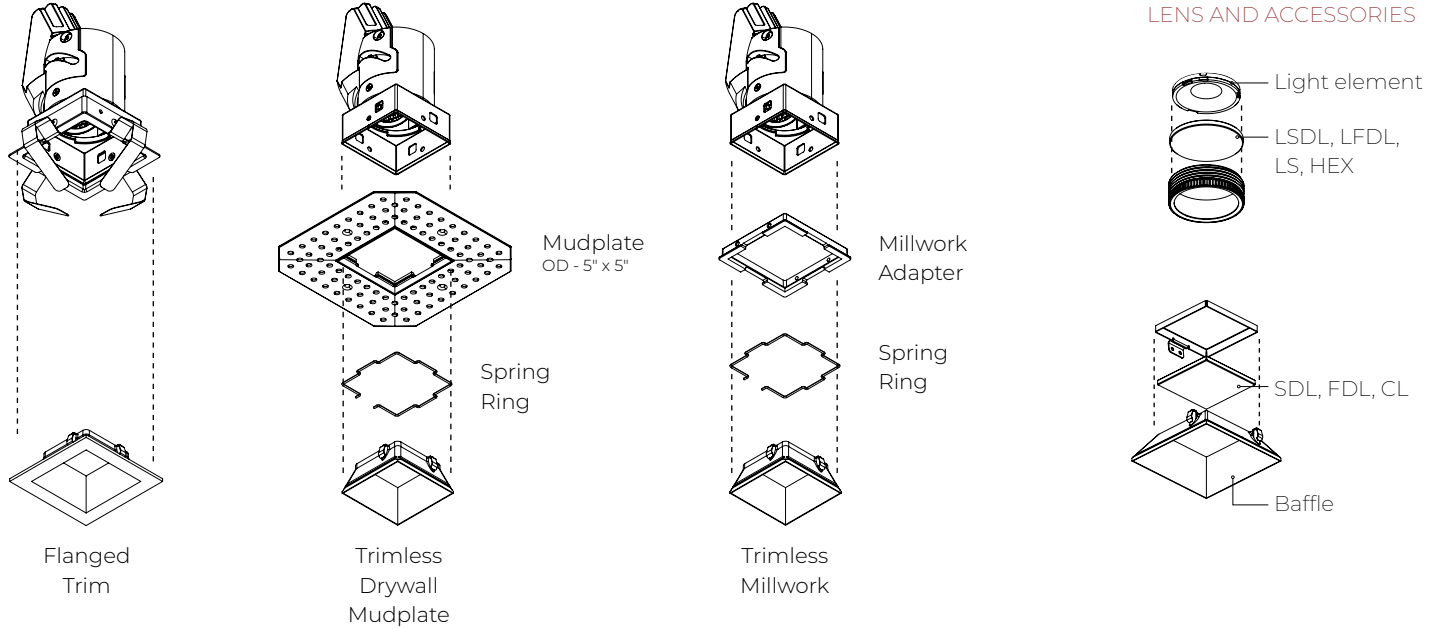
Adjustable Hat Channel bars can be used in both commercial and residential applications and come with a butterfly clip to adjust to various heights. AHC bars can be hung downward by 90 degrees in vertical position, and once wired, can be shifted onto the horizontal mounting plane. AHC bars are suitable for both Drywall and wood ceiling applications.

AERA 2" DOWNLIGHT

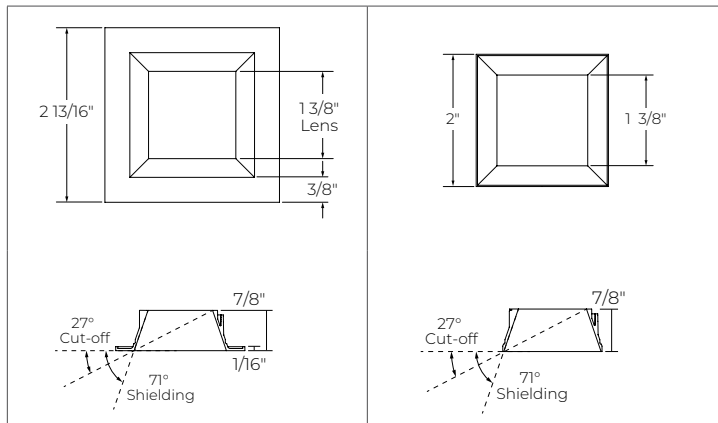
SQUARE RECESSED ADJUSTABLE
NEW CONSTRUCTION & REMODEL



Light & Baffle



Bevel	
<p>TRM Flanged Trim</p>	<p>TLMP/TLMW Trimless Drywall Mudplate /Trimless Millwork</p>
<p>■ Baffle finish</p> <p>■ Trim flange finish</p>	

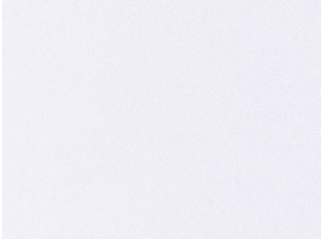


AERA 2" DOWNLIGHT

SQUARE RECESSED ADJUSTABLE
NEW CONSTRUCTION & REMODEL



Finishes



FTMW - Matte white



FTMB - Matte black



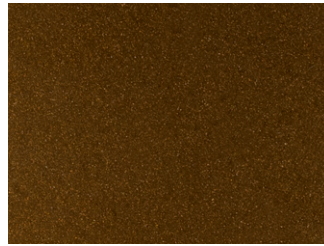
FSPC - Satin silver



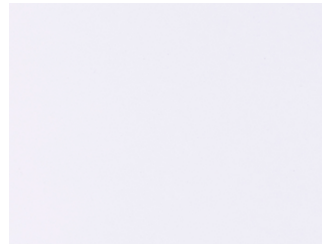
FSSPC - Matte silver



FCHP - Champagne



FDBZ - Dark bronze



FPF - Primer finish

AERA 2" DOWNLIGHT

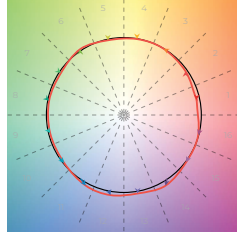


SQUARE RECESSED ADJUSTABLE
NEW CONSTRUCTION & REMODEL

Color Quality

COLOR QUALITY - 3500K

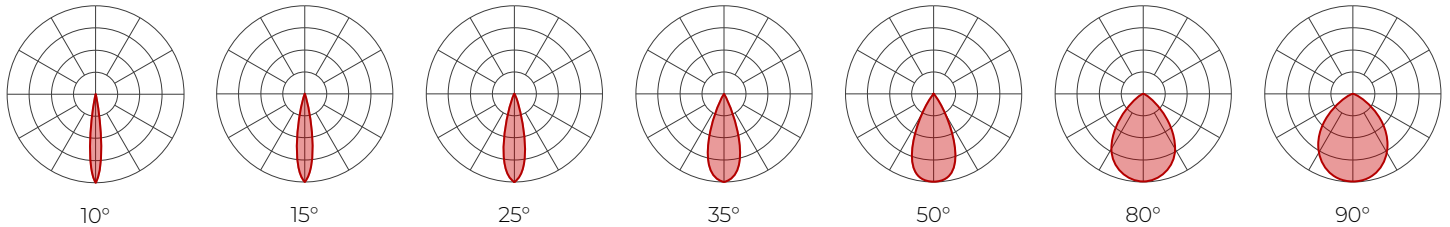
TM-30 R _r	91
TM-30 R _g	100
CRI	90+
R9	> 50



Photometrics

STATIC WHITE

Values calculated based on 3500K, bevel baffle, and SDL lens option.



Delivered lumens (LM)

CRI	80+ CRI							90+ CRI							95+ CRI						
	BEAM	10°	15°	25°	35°	50°	80°	90°	10°	15°	25°	35°	50°	80°	90°	10°	15°	25°	35°	50°	80°
7 W	462	513	560	552	530	477	477	431	479	523	516	495	446	446	332	369	403	397	381	343	343
10 W	606	673	736	727	697	627	627	566	629	688	679	651	586	586	436	484	530	523	501	451	451

Efficacy (LM/W)

CRI	80+ CRI							90+ CRI							95+ CRI						
	BEAM	10°	15°	25°	35°	50°	80°	90°	10°	15°	25°	35°	50°	80°	90°	10°	15°	25°	35°	50°	80°
7 W	66	73	80	79	76	68	68	62	68	75	74	71	64	64	47	53	58	57	54	49	49
10 W	61	67	74	73	70	63	63	57	63	69	68	65	59	59	44	48	53	52	50	45	45

MULTIPLIERS

Please follow the multiplier tables to ensure correct lumen value. Beams, CCT, baffle styles, baffle colors, lensing and accessories will change the lumen value.

CCT	BAFFLE STYLE AND COLOR	LENS * (At baffle)	ACCESSORIES * (At light element)
2200K	Flanged trim	SDL - Soft diffused lens, Solite	LSDL - Soft diffused lens, Solite
2400K	Trimless	FDL - Frosted lens	LFDL - Frosted lens
2700K	Bevel	CL - Clear lens	LS - Linear spread
3000K	Wet bevel	NOL - No lens	HEX - Hex louver
3500K	White		
4000K	Black		
5000K			

* When more than one lens or accessory is specified, multiply together the value of each lens and/or accessory.
e.g. NOL + LSDL + LS = 1.1 x 1 x 0.84 = 0.924

For SOLA and DUO, please consult factory.



AERA 2" DOWNLIGHT

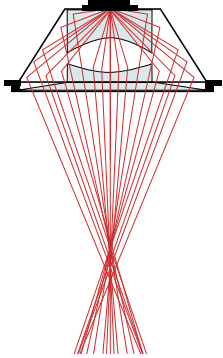
SQUARE RECESSED ADJUSTABLE
NEW CONSTRUCTION & REMODEL



Technical Specifications

OPTIC

XPoint™ Refraction Technology optics provide precise optical control in a remarkably compact form. Micro optical paths from the chip on board converge and then disperse in precise beam angles, resulting in a crisp and exacting light quality.



LIGHT SOURCE

Static white

Compact COB (Chip-On-Board) LED module, available in 2200K, 2400K, 2700K, 3000K, 3500K, 4000K, and 5000K with a choice of 80+ CRI, 90+ CRI, or 95+ CRI, with elevated R9 value for 90+ CRI and above. Color consistency is maintained to within 2 SDCM. All LEDs have been tested in accordance with IESNA LM-80-08 and the results have shown L80 lumen maintenance greater than 60,000 hours. Absolute product photometry is measured and presented in accordance with IESNA LM-79, unless otherwise indicated.

Full spectrum static white

The full spectrum LED option offers improved color particularly in the cyan region that is beneficial in both healthcare and circadian lighting strategies. The cyan region in full spectrum LED is richer at the 480 nm range.

Chromawerx SOLA

Chromawerx SOLA is single-channel control that dims output while warming the color temperature in a pre-determined relationship. Two color temperature range options are offered: 3000K to 1800K, and 2700K to 1800K. A simple analog control adjusts a specially populated LED array to emulate the effect of dimming a filament source.

Chromawerx DUO

Chromawerx DUO offers a two-channel control system which uses analog or digital protocols for synchronous control of both cool to warm LED arrays - maintaining a CRI above 90. Two color temperature range options are offered: 6500K to 2700K, and 5000K to 2700K. The range of color DUO offers is useful for entraining circadian rhythms, stimulating alertness, and compensating for jet lag among other applications. The Chromawerx drivers are programmed to limit maximum light output and power usage across all color temperatures. When paired with DALI drivers (DDA/DDA8), color tuning follows a linear dimming curve.

ELECTRICAL

Unless otherwise specified, dimming down to 1%. At maximum driver load: efficiency > 84%, PF > 0.9, THD < 20%.

ELV and TRIAC dimming performance (including minimum dimming percentage) subject to dimmer selection.

Integral: 0-10V, ELV, TRIAC

Remote: 0-10V, ELV, TRIAC, Lutron Hi-Lume 1% EcoSystem, DALI, eldoLED 0.1% SOLOdrive 0-10V, eldoLED 1% ECOdrive 0-10V, DMX, Lutron DALI-2 digital

Emergency battery options: Remotely-installed, long-life, high-temperature, maintenance-free, Bodine Lithium-Ion battery pack with self-test functionality, test switch and charge indicator. IOTA and Fulham options available upon request. Minimum of 90 minutes operation, and recharge time of 24 hours. For fixtures less than 10 W, the battery provides 6 W of emergency light output. For fixtures 10 W and over, the battery provides 10 W.

PoE

Depending on the PoE manufacturer selected, Lumenwerx will install the node in factory as either integral to the luminaire or as a remote module. Factory programming of the PoE node may or may not enable the following functionalities: lumen package, DUO (tunable white), QUADRO (RGBW), emergency battery backup, and sensor integration. These must be addressed and evaluated on a case-by-case basis.

CONSTRUCTION

Housing

For new construction, 20 gauge powder coated steel. Open frame, type-IC, or Chicago Plenum (CCEA) rated. 18 gauge galvanized steel junction box with ½" trade size knockouts. Adjustable standard, flush mount, adjustable commercial, and adjustable hat channel bar hangers are available as mounting options.

AERA 2" DOWNLIGHT



SQUARE RECESSED ADJUSTABLE NEW CONSTRUCTION & REMODEL

Light element

Adjustability: Hot aiming, 355° rotation and 35° vertical tilt with shift to ensure beam stays centered.

LED module: Integral COB module. 90+ CRI and 2 SDCM, Standard with options of 80+ CRI, or 95+ CRI. L80 > 60,000 hours.

XPoint™ Refraction Technology optic: Micro optical paths from the chip on board converge and then disperse in precise beam angles, resulting in a crisp and exacting light quality.

Thermal management: Die-cast aluminum heat sink to maximize thermal dissipation.

Baffle: Die-cast aluminum mounted with retaining spring clips

Trim style: Trimmed and trimless with mudplate or millwork adapter

Finish: Matte white, matte black, satin silver, matte silver, champagne, dark bronze, and primer finish. Custom colors also available (provide RAL #). For the primer finish option, fixture must be turned off and the lens masked before applying paint.

WEIGHT

Open frame: 4.0 lbs - 1.8 kg

Type-IC: 6.5 lbs - 2.9 kg

Chicago Plenum: 6.5 lbs - 2.9 kg

Remodel: 2.25 lbs - 1.0 kg

LENS AND ACCESSORIES



Soft diffused lens, Solite



Frosted diffused lens



Clear lens



Linear spread



Hex louver

ENVIRONMENT

Ambient temperature at fixture location shall be within 0°C/32°F - 25°C/77°F, indoor dry or damp as well as outdoor damp use (canopies or marquees).

CERTIFICATIONS

ETL: Rated for indoor dry/damp locations. Conforms to UL Standard 1598 and certified to CAN/CSA Standard C22.2 No. 250.0.

IP44: IP44 rated for bathrooms, showers, outdoor canopies, and marquees when specified with the wet location (WET) option.

Chicago Plenum: City of Chicago approved (CCEA) when specified with CP installation type option.

IC rated: Suitable for direct contact with insulation when specified with IC, CP or AT installation type options.

Title 24 JAB: California Building Standards Code

Declare: [LBC Red List Approved](#)

WARRANTY

Lumenwerx provides a five-year limited warranty on electrical and mechanical performance of the luminaires, including the LED boards, drivers, and auxiliary electronics. Lumenwerx will repair or replace defective luminaires or components at our discretion, provided they have been installed and operated in accordance with our specifications. Other limitations apply, please refer to the full warranty on our website.