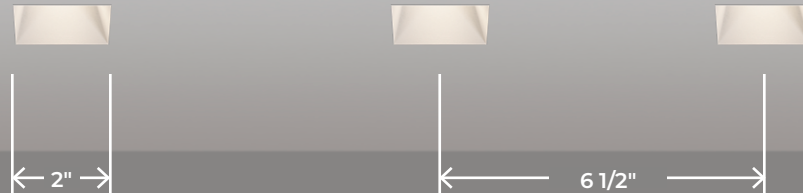


AERA 2" MULTI-APERTURE



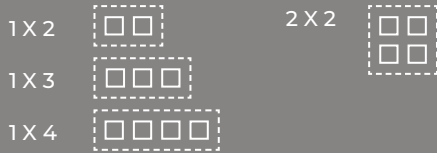
SQUARE RECESSED
NEW CONSTRUCTION



1 X 3
Bevel Trimless

Aera recessed multi-apertures are true to size, encased in minimalist housing, and suitable additions to any interior space where outstanding optical performance, maximal eye comfort, and/or an industry-leading wall wash are required.

Array



Ceiling Types



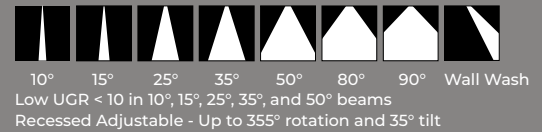
Installation Types

New Construction (Type Non-IC, Type-IC, CCEA)

Plenum Clearance



Beam Angles



Light Source

Static White
Full Spectrum Static White
SOLA - Dim-to-Warm



COB

2 Step Color Binning
Up to 95+ CRI

Driver

1%, 0.1% Dimming Available
0-10V, TRIAC, ELV, Lutron EcoSystem, DALI
Emergency Battery (optional)

Aera Family (Refer to other spec sheets)

Downlight



2" / 3" / 4"
Round / Square
Recessed Adjustable



2" / 3" / 4"
Round / Square
Recessed



2" / 3" / 4"
Round / Square
Recessed Wall Wash

Multi-aperture



2" / 3" / 4"
Round / Square
Recessed Adjustable



2" / 3" / 4"
Round / Square
Recessed



2" / 3" / 4"
Round / Square
Recessed Wall Wash

Cylinder



2" / 3" / 4" / 5" / 6"
4" Seal
Pendant
Pendant Asymmetric
Pendant Wall Wash



2" / 3" / 4" / 5" / 6"
4" Seal
Wall
Wall Asymmetric



2" / 3" / 4" / 5" / 6"
4" Seal
Surface
Surface Asymmetric
Surface Wall Wash

www.lumenwerx.com
T (514) 225-4304

© Lumenwerx, ULC. All rights reserved.



Lumenwerx reserves the right to modify product specifications without notification.

AERA2-MULTI-APERTURE-SQUARE-SPEC-REV7 February 11, 2026

AERA 2" MULTI-APERTURE



SQUARE RECESSED
NEW CONSTRUCTION

Project: _____

Type: _____

Order Guide

1 - Housing (Example: AE2MSR-1X2M-TRM-OF-ASB)

| LUMINAIRE ID ¹ | ARRAY | TRIM STYLE | INSTALLATION TYPE | MOUNTING OPTION ³ |
|---|--|---|---|--|
| AE2MSR | | | | |
| AE2MSR - Aera 2" Multi-aperture Square Recessed ¹ Round recessed also available. Consult other spec sheet. | 1X2M - 1 X 2 1X3M - 1 X 3 1X4M - 1 X 4 2X2M - 2 X 2 | TRM - Flanged trim TLMP - Trimless drywall mudplate TLMW - Trimless millwork | OF - Open Frame Type Non-IC IC ² - Type-IC CP ² - Chicago Plenum Type-IC (CCEA) ² Only available with 7 W or less. | ASB - Adjustable standard bar hangers FMB - Flush mount bars ACB - Adjustable commercial bar hangers AHC - Adjustable hat channel bars NA - No bar hangers ³ See page 4 for more details. |

2 - Module (Example: AE2MSRB-SW-15DEG-2STP-90CRI-27K-120V-7W-D1-LSDL+LS-TRM-CL-FTMW-FTMW-NA)

| MODULE (Specify order code for each module) | |
|---|--------------|
| M1 | 1 X 2 2 X 2 |
| M2 | 1 X 3 |
| M3 | |
| M4 | 1 X 4 |

| LUMINAIRE ID | LIGHT SOURCE | BEAM Specify WW for Wall Wash | COLOR QUALITY | CRI | COLOR TEMP. | VOLTAGE |
|--|--|--|---|--|---|---|
| AE2MSRB - Aera 2" Square Recessed Bevel AE2MSRAB - Aera 2" Square Recessed Adjustable Bevel AE2MSRWWB - Aera 2" Square Recessed Wall Wash | SW - Static white FS - Full spectrum static white SOLA - Dim-to-warm single channel control | 10DEG ⁴ - 10° Very narrow spot 15DEG ⁴ - 15° Narrow spot 25DEG - 25° Spot 35DEG - 35° Narrow flood 50DEG - 50° Wide flood 80DEG - 80° Very wide flood 90DEG - 90° Open flood WW - Wall wash ⁴ Not available for Adjustable models with full spectrum. | 2STP ⁵ - 2 Step MacAdam Ellipse 3STP - 3 Step MacAdam Ellipse ⁵ Not available with full spectrum. | 80CRI ⁶ - 80+ CRI 90CRI ⁶ - 90+ CRI 95CRI - 95+ CRI ⁶ Not available with full spectrum. | 22K ⁷ - 2200K 24K ⁷ - 2400K 27K - 2700K 30K - 3000K 35K - 3500K 40K - 4000K 50K ⁷ - 5000K ⁷ Not available with 95+ CRI. | 120V - 120V 277V - 277V UNV - 120V-277V 347V ⁸ - 347V ⁸ Available with RD1 driver only. Please consult factory. |

WATTAGE PER LIGHT ⁹ DIMMING ^{11,12}

| RECESSED | RECESSED ADJ. | RECESSED WW | INTEGRAL | REMOTE ¹⁴ |
|--|--|--|---|--|
| 7W - 7 W output, up to 714 lm 10W ¹⁰ - 10 W output, up to 961 lm ⁹ Lumen outputs are reduced with full spectrum, consult factory. ¹⁰ Not available with IC/CP. | 7W - 7 W output, up to 560 lm 10W ¹⁰ - 10 W output, up to 736 lm | 7W - 7 W output, up to 414 lm 10W ¹⁰ - 10 W output, up to 557 lm | D1 - 1% 0-10V ELV ¹³ - ELV 120V TRI ¹³ - TRIAC 120V ¹¹ A driver provided per light. ¹² PoE (Power-over-Ethernet) compatible. Consult factory for details. ¹³ Available with 120V only. | RD1 - 1% 0-10V RELV ¹⁵ - ELV 120V RTRI ¹⁵ - TRIAC 120V RLDE1 ¹⁶ - Lutron Hi-Lume 1% Eco RDA ¹⁶ - DALI RELD1 - eldoLED 1% ECOdrive 0-10V RELD0 - eldoLED 0.1% SOLOdrive 0-10V +EB ¹⁷ - Emergency battery ¹⁴ Remote driver boxes (RDB) are provided. Multiple RDBs may be required. ¹⁵ Available with 120V only. ¹⁶ On-site commissioning is required. ¹⁷ To specify, add +EB to the selected dimming option, e.g. RD1+EB. |
| 10W ¹⁰ - 10 W output, up to 525 lm | 10W ¹⁰ - 10 W output, up to 525 lm | 10W ¹⁰ - 10 W output, up to 415 lm | SD1 - Single 0-10V input SELV ¹³ - ELV 120V STRI ¹³ - TRIAC 120V | RSD1 - Single 0-10V input RSELV ¹⁵ - ELV 120V RSTRI ¹⁵ - TRIAC 120V |

ACCESSORIES * TRIM STYLE LENS * BAFFLE FINISH TRIM FLANGE FINISH OPTION

See page 6 for details Specify same as Housing See page 6 for details Specify NA for Bevel Trimless & Wall Wash Trimless Specify NA for Wall Wash

| | | | | | |
|---|---|--|---|---|---|
| At light element ^{18,19} (choose up to 2 options for SW/FS and 1 option for SOLA) Specify NA for Wall Wash LSDL - Soft diffused lens, Solite LFDL - Frosted diffused lens LS - Linear spread HEX ²⁰ - Hex louver NA - None ¹⁸ Separate codes with a "+" if more than one is specified, e.g. LSDL+LS. ¹⁹ LSDL and LFDL cannot be combined. LS and HEX cannot be combined. ²⁰ Not available with 80°/90° beam options. | TRM - Flanged trim TLMP - Trimless drywall mudplate TLMW - Trimless millwork | At baffle (choose 1 option) Specify WW for Wall Wash SDL - Soft diffused lens, Solite FDL - Frosted diffused lens CL - Clear lens NOL - No lens WW - Wall wash diffuser | FTMW - Matte white FTMB - Matte black FSPC - Satin silver FSSPC - Matte silver FCHP - Champagne FDBZ - Dark bronze FPF - Primer finish CF# - Custom finish, specify RAL# | FTMW - Matte white FTMB - Matte black FSPC - Satin silver FSSPC - Matte silver FCHP - Champagne FDBZ - Dark bronze FPF - Primer finish CF# - Custom finish, specify RAL# NA - Not applicable | WET ²¹ - Wet location NA - None ²¹ Must be specified with the bevel (AE2MSRB or AE2MSRAB), flanged trim (TRM), and either SDL, FDL, or CL lens options. |
|---|---|--|---|---|---|

* LSDL or LFDL at light element cannot be combined with SDL or FDL at baffle.

www.lumenwerx.com
T (514) 225-4304



Lumenwerx reserves the right to modify product specifications without notification.
AERA2-MULTI-APERTURE-SQUARE-SPEC-REV7 February 11, 2026

AERA 2" MULTI-APERTURE

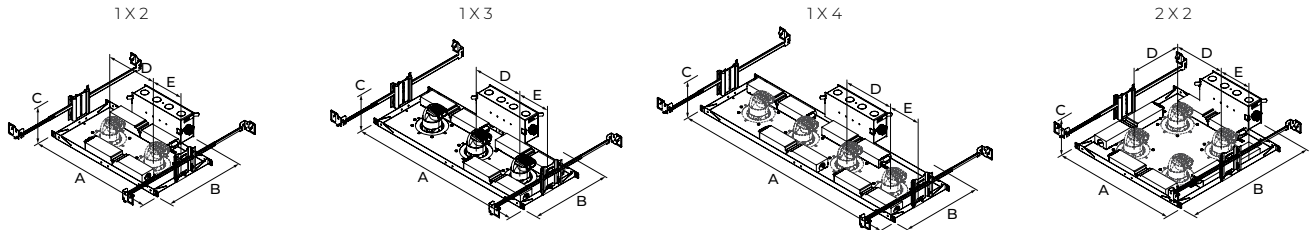


SQUARE RECESSED
NEW CONSTRUCTION

Housing

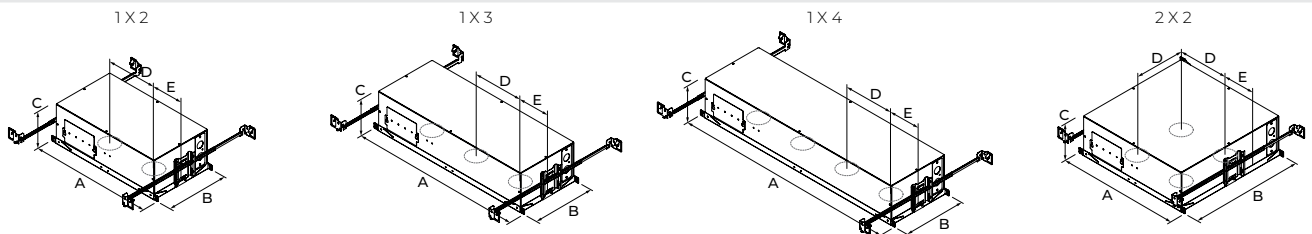
INSTALLATION TYPES

OF - Open Frame Type Non-IC



| | | | | |
|---|-----------------------------------|----------|-----------|-----------|
| A | 15 11/16" | 22 3/16" | 28 11/16" | 15 11/16" |
| B | 10 1/4" | | | 16 3/4" |
| C | 5" | | | |
| D | 6 1/2" (center-to-center spacing) | | | |
| E | 4" (center-to-end spacing) | | | |

IC - Type-IC / CP - Chicago Plenum Type-IC (CCEA)

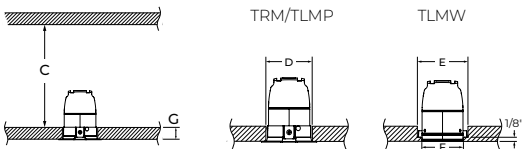


| | | | | |
|---|-----------------------------------|----------|-----------|-----------|
| A | 15 11/16" | 22 3/16" | 28 11/16" | 15 11/16" |
| B | 8" | | | 14 1/2" |
| C | 5 1/16" | | | |
| D | 6 1/2" (center-to-center spacing) | | | |
| E | 4" (center-to-end spacing) | | | |

- For OF, IC, and CP installation types with remote dimming, a remote driver box is provided.

- Clearance between sides of luminaire and parts of building must be 1/2" minimum; clearance to insulating materials to be 3" minimum, unless luminaires are IC rated.

PLENUM CLEARANCE & CUT-OUT DIMENSIONS



| PLENUM CLEARANCE HEIGHT | | | |
|-------------------------|-------------------|---------|----|
| | REMOTE & INTEGRAL | | |
| | OF | IC | CP |
| C | 5" | 5 1/16" | |

| CUT-OUT DIMENSIONS | | |
|--------------------|----------|---------------------------------|
| D | TRM/TLMP | 2 1/2" x 2 1/2" |
| E | TLMW | 2 1/2" x 2 1/2" |
| F | | 2 1/16" x 2 1/16" with 1/8" lip |

| MAXIMUM CEILING THICKNESS | | |
|---------------------------|----------|------|
| G | TRM/TLMP | 1" |
| | TLMW | 5/8" |

AERA 2" MULTI-APERTURE

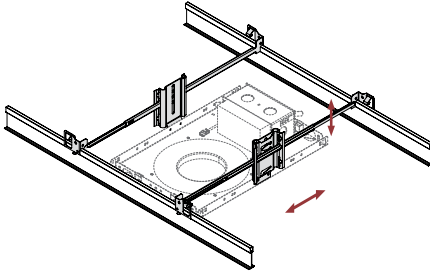


SQUARE RECESSED
NEW CONSTRUCTION

Housing

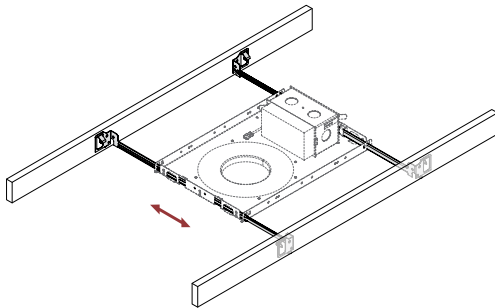
MOUNTING OPTIONS

ASB - Adjustable Standard Bar Hangers



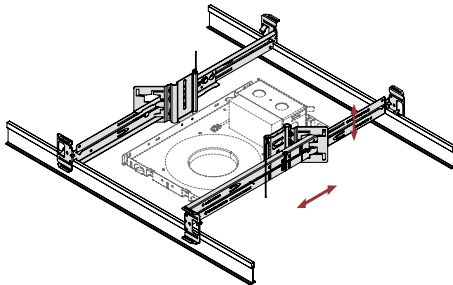
Adjustable Standard Bar hangers can be used in both commercial and residential applications and are adjustable to various heights in both Grid Ceiling and Drywall mounting. ASB hangers are less rigid and versatile than ACB hangers.

FMB - Flush Mount Bars



Flush Mount Bars are best used in residential applications, fitting snug to the surface and suitable for Wood, Metal, and Drywall mounting. The flush mounted bars are static and can't be adjusted.

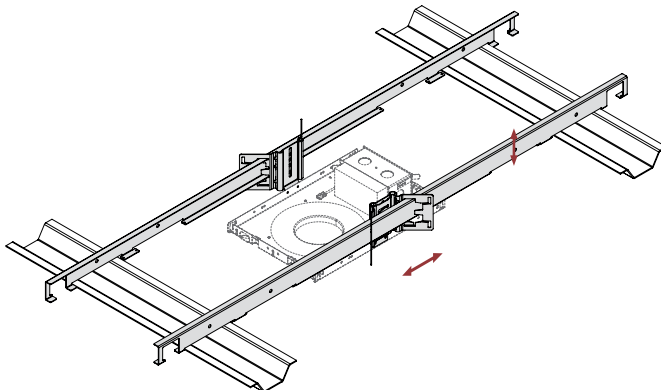
ACB - Adjustable Commercial Bar Hangers



Adjustable Commercial Bar hangers can be used in both commercial and residential applications and are by far the most versatile mounting bar we offer with its adjustability to various heights. ACB hangers are suitable for Grid Ceiling, Drywall, Metal, Wood and Frame mounting.

- Extremely rigid
- Fits into C-Channel notches in a Butterfly Bracket

AHC - Adjustable Hat Channel Bars



Adjustable Hat Channel bars can be used in both commercial and residential applications and come with a butterfly clip to adjust to various heights. AHC bars can be hung downward by 90 degrees in vertical position, and once wired, can be shifted onto the horizontal mounting plane. AHC bars are suitable for both Drywall and wood ceiling applications.

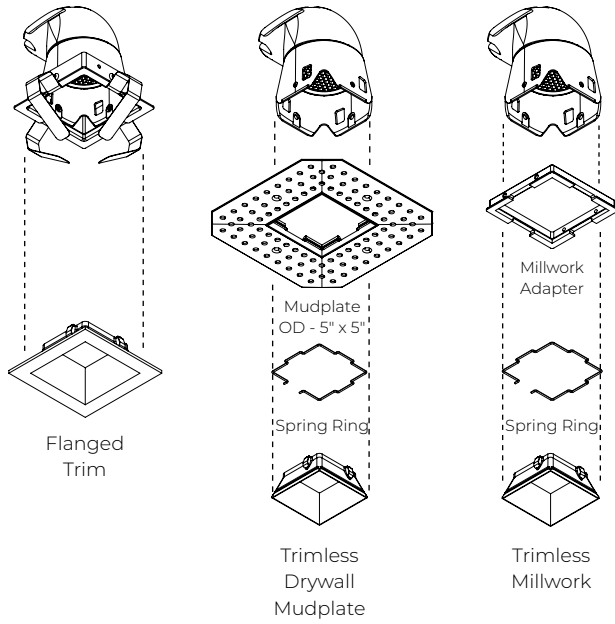
AERA 2" MULTI-APERTURE



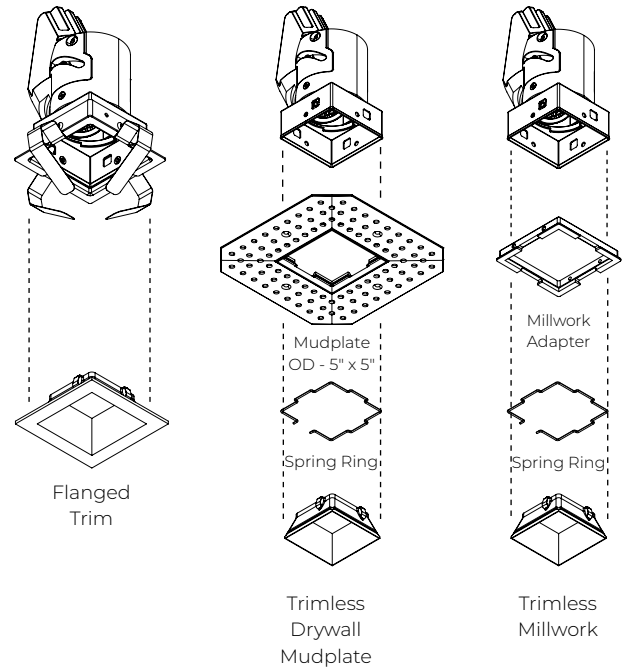
SQUARE RECESSED NEW CONSTRUCTION

Light & Baffle

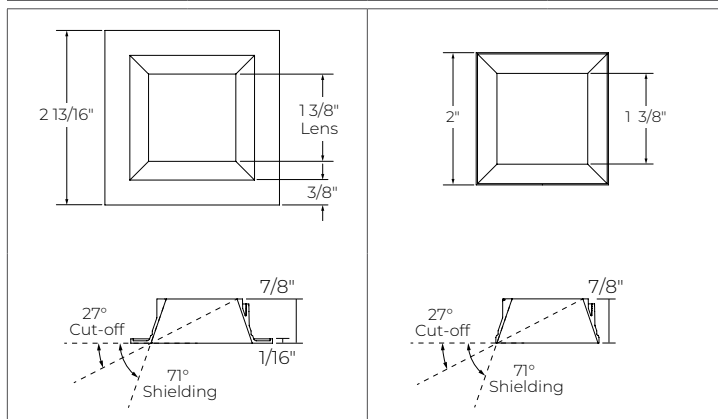
RECESSED



RECESSED ADJUSTABLE



| Bevel | |
|--|---|
| TRM Flanged Trim | TLMP/TLMW Trimless Drywall Mudplate /Trimless Millwork |
| | |
| <p> Baffle finish</p> <p> Trim flange finish</p> | |



AERA 2" MULTI-APERTURE

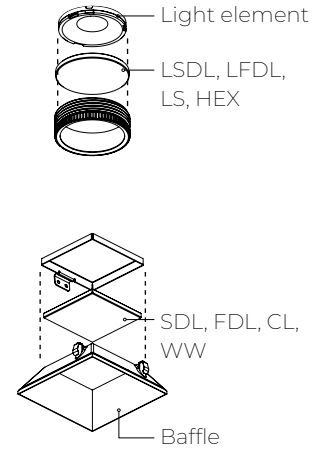
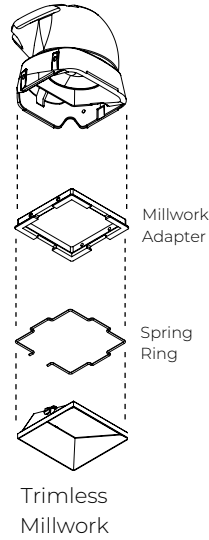
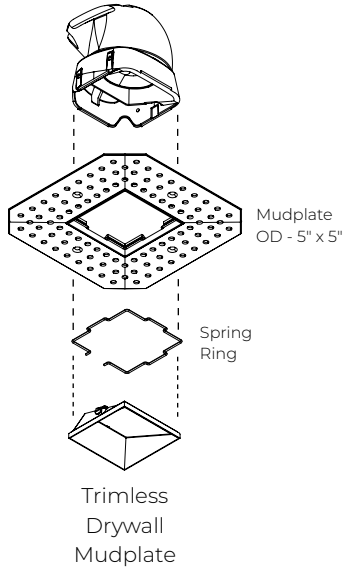
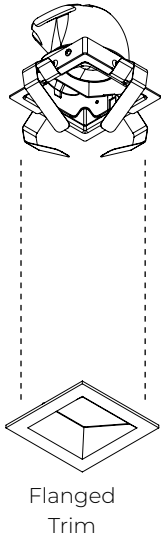


SQUARE RECESSED
NEW CONSTRUCTION

Light & Baffle

RECESSED WALL WASH

LENS AND ACCESSORIES



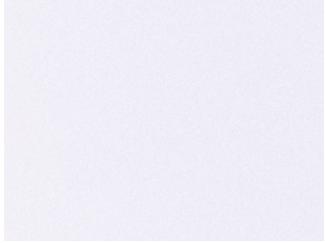
| Wall Wash | |
|--|--|
| TRM Flanged Trim | TLMP/TLMW Trimless Drywall Mudplate /Trimless Millwork |
| | |
| <p>■ Baffle finish</p> <p>■ Trim flange finish</p> | |
| | |

AERA 2" MULTI-APERTURE



SQUARE RECESSED
NEW CONSTRUCTION

Finishes



FTMW - Matte white



FTMB - Matte black



FSPC - Satin silver



FSSPC - Matte silver



FCHP - Champagne



FDBZ - Dark bronze



FPF - Primer finish

AERA 2" MULTI-APERTURE

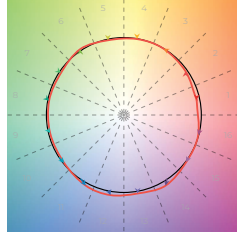


SQUARE RECESSED
NEW CONSTRUCTION

Color Quality

COLOR QUALITY - 3500K

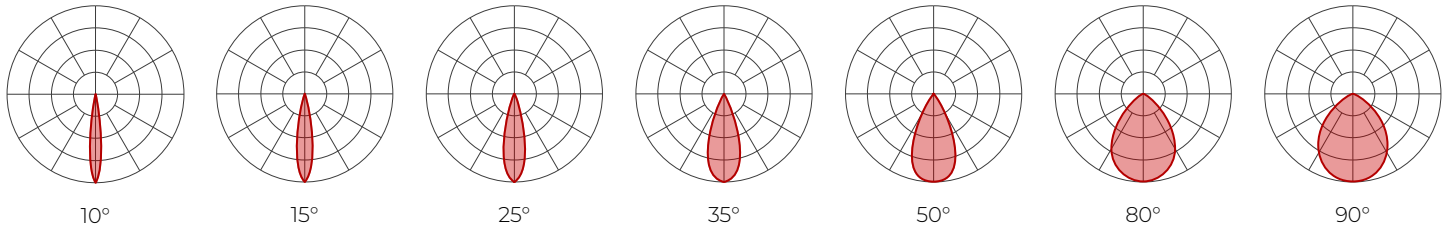
| | |
|----------------------|------|
| TM-30 R _r | 91 |
| TM-30 R _g | 100 |
| CRI | 90+ |
| R9 | > 50 |



Photometrics

RECESSED - STATIC WHITE

Values calculated based on 3500K, bevel baffle, and SDL lens option. All values are per light.



Delivered lumens (LM)

| CRI | 80+ CRI | | | | | | | | 90+ CRI | | | | | | | | 95+ CRI | | | | | | | |
|------|---------|-----|-----|-----|-----|-----|-----|-----|---------|-----|-----|-----|-----|-----|-----|-----|---------|-----|-----|-----|-----|-----|--|--|
| | BEAM | 10° | 15° | 25° | 35° | 50° | 80° | 90° | 10° | 15° | 25° | 35° | 50° | 80° | 90° | 10° | 15° | 25° | 35° | 50° | 80° | 90° | | |
| 7 W | 589 | 654 | 714 | 705 | 676 | 609 | 609 | 550 | 611 | 667 | 659 | 632 | 569 | 569 | 423 | 470 | 514 | 507 | 487 | 438 | 438 | | | |
| 10 W | 792 | 880 | 961 | 949 | 910 | 819 | 819 | 740 | 822 | 898 | 887 | 850 | 765 | 765 | 570 | 633 | 691 | 683 | 655 | 589 | 589 | | | |

Efficacy (LM/W)

| CRI | 80+ CRI | | | | | | | | 90+ CRI | | | | | | | | 95+ CRI | | | | | | | |
|------|---------|-----|-----|-----|-----|-----|-----|-----|---------|-----|-----|-----|-----|-----|-----|-----|---------|-----|-----|-----|-----|-----|--|--|
| | BEAM | 10° | 15° | 25° | 35° | 50° | 80° | 90° | 10° | 15° | 25° | 35° | 50° | 80° | 90° | 10° | 15° | 25° | 35° | 50° | 80° | 90° | | |
| 7 W | 84 | 93 | 102 | 101 | 97 | 87 | 87 | 79 | 87 | 95 | 94 | 90 | 81 | 81 | 60 | 67 | 73 | 72 | 70 | 63 | 63 | | | |
| 10 W | 79 | 88 | 96 | 95 | 91 | 82 | 82 | 74 | 82 | 90 | 89 | 85 | 77 | 77 | 57 | 63 | 69 | 68 | 65 | 59 | 59 | | | |

MULTIPLIERS

Please follow the multiplier tables to ensure correct lumen value. Beams, CCT, baffle styles, baffle colors, lensing and accessories will change the lumen value.

| CCT | BAFFLE STYLE AND COLOR | LENS * (At baffle) | ACCESSORIES * (At light element) |
|-------|------------------------|----------------------------------|-----------------------------------|
| 2200K | Flanged trim | SDL - Soft diffused lens, Solite | LSDL - Soft diffused lens, Solite |
| 2400K | Trimless | FDL - Frosted lens | LFDL - Frosted lens |
| 2700K | Bevel | CL - Clear lens | LS - Linear spread |
| 3000K | Wet bevel | NOL - No lens | HEX - Hex louver |
| 3500K | White | | |
| 4000K | Black | | |
| 5000K | | | |

* When more than one lens or accessory is specified, multiply together the value of each lens and/or accessory. e.g. NOL + LSDL + LS = 1.1 x 1 x 0.84 = 0.924

For SOLA, please consult factory.



AERA 2" MULTI-APERTURE

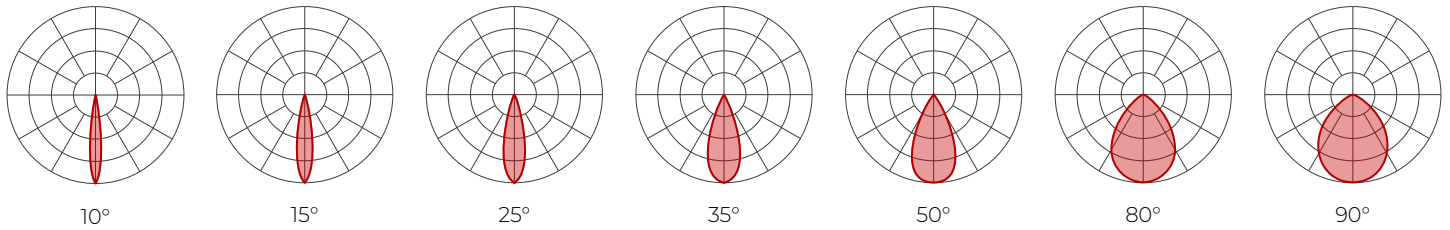


SQUARE RECESSED NEW CONSTRUCTION

Photometrics

RECESSED ADJUSTABLE - STATIC WHITE

Values calculated based on 3500K, bevel baffle, and SDL lens option. All values are per light.



Delivered lumens (LM)

| CRI | 80+ CRI | | | | | | | 90+ CRI | | | | | | | 95+ CRI | | | | | | |
|------|---------|-----|-----|-----|-----|-----|-----|---------|-----|-----|-----|-----|-----|-----|---------|-----|-----|-----|-----|-----|-----|
| | 10° | 15° | 25° | 35° | 50° | 80° | 90° | 10° | 15° | 25° | 35° | 50° | 80° | 90° | 10° | 15° | 25° | 35° | 50° | 80° | 90° |
| 7 W | 462 | 513 | 560 | 552 | 530 | 477 | 477 | 431 | 479 | 523 | 516 | 495 | 446 | 446 | 332 | 369 | 403 | 397 | 381 | 343 | 343 |
| 10 W | 606 | 673 | 736 | 727 | 697 | 627 | 627 | 566 | 629 | 688 | 679 | 651 | 586 | 586 | 436 | 484 | 530 | 523 | 501 | 451 | 451 |

Efficacy (LM/W)

| CRI | 80+ CRI | | | | | | | 90+ CRI | | | | | | | 95+ CRI | | | | | | |
|------|---------|-----|-----|-----|-----|-----|-----|---------|-----|-----|-----|-----|-----|-----|---------|-----|-----|-----|-----|-----|-----|
| | 10° | 15° | 25° | 35° | 50° | 80° | 90° | 10° | 15° | 25° | 35° | 50° | 80° | 90° | 10° | 15° | 25° | 35° | 50° | 80° | 90° |
| 7 W | 66 | 73 | 80 | 79 | 76 | 68 | 68 | 62 | 68 | 75 | 74 | 71 | 64 | 64 | 47 | 53 | 58 | 57 | 54 | 49 | 49 |
| 10 W | 61 | 67 | 74 | 73 | 70 | 63 | 63 | 57 | 63 | 69 | 68 | 65 | 59 | 59 | 44 | 48 | 53 | 52 | 50 | 45 | 45 |

MULTIPLIERS

Please follow the multiplier tables to ensure correct lumen value. Beams, CCT, baffle styles, baffle colors, lensing and accessories will change the lumen value.

| CCT | BAFFLE STYLE AND COLOR | LENS * (At baffle) | ACCESSORIES * (At light element) |
|-------|------------------------|----------------------------------|-----------------------------------|
| 2200K | Flanged trim | SDL - Soft diffused lens, Solite | LSDL - Soft diffused lens, Solite |
| 2400K | Trimless | FDL - Frosted lens | LFDL - Frosted lens |
| 2700K | Bevel | CL - Clear lens | LS - Linear spread |
| 3000K | Wet bevel | NOL - No lens | HEX - Hex louver |
| 3500K | White | | |
| 4000K | Black | | |
| 5000K | | | |

* When more than one lens or accessory is specified, multiply together the value of each lens and/or accessory.
e.g. NOL + LSDL + LS = 1.1 x 1 x 0.84 = 0.924

For SOLA, please consult factory.

AERA 2" MULTI-APERTURE

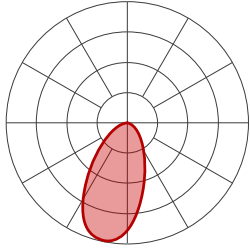


SQUARE RECESSED NEW CONSTRUCTION

Photometrics

RECESSED WALL WASH

Values calculated with white wall wash baffle, and based on 3500K for static white. All values are per light.



STATIC WHITE

| CRI | 80+ CRI | | 90+ CRI | | 95+ CRI | |
|------|---------|------|---------|------|---------|------|
| | lm | lm/W | lm | lm/W | lm | lm/W |
| 7 W | 414 | 59 | 387 | 55 | 298 | 43 |
| 10 W | 557 | 56 | 521 | 52 | 401 | 40 |

MULTIPLIERS

Please follow the multiplier tables to ensure correct lumen value. CCT and baffle colors will change the lumen value.

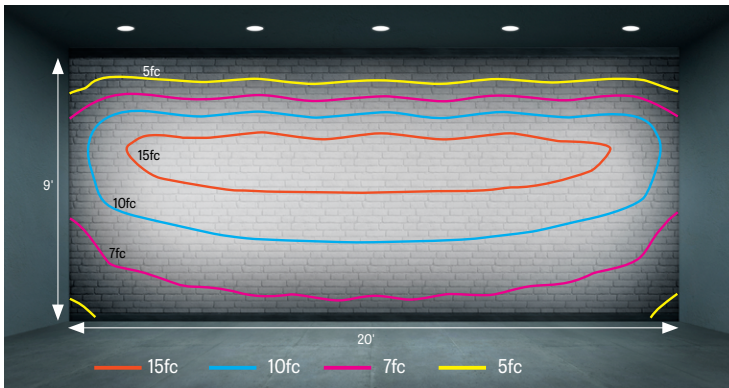
| CCT | | BAFFLE STYLE AND COLOR | |
|--------------|------|------------------------|---|
| STATIC WHITE | | Flanged trim | 1 |
| 2200K | 0.80 | Trimless | 1 |
| 2400K | 0.87 | White | 1 |
| 2700K | 0.94 | Black | 1 |
| 3000K | 0.98 | | |
| 3500K | 1 | | |
| 4000K | 1.05 | | |
| 5000K | 1.05 | | |

For SOLA, please consult factory.

UNIFORMITY

Values calculated based on 3500K and white wall wash baffle.

24" from Wall - 36" Spacing



Foot-candles

| FC ON WALL | 24" FROM WALL - 24" SPACING | | | 24" FROM WALL - 36" SPACING | | | 24" FROM WALL - 48" SPACING | | |
|----------------------|-----------------------------|---------|---------|-----------------------------|---------|---------|-----------------------------|---------|---------|
| | 80+ CRI | 90+ CRI | 95+ CRI | 80+ CRI | 90+ CRI | 95+ CRI | 80+ CRI | 90+ CRI | 95+ CRI |
| ABOVE FINISHED FLOOR | 9' | 5 | 4 | 3 | 3 | 2 | 2 | 2 | 2 |
| | 8' | 17 | 16 | 10 | 10 | 7 | 8 | 8 | 6 |
| | 7' | 24 | 22 | 15 | 14 | 11 | 11 | 11 | 8 |
| | 6' | 22 | 21 | 14 | 13 | 10 | 11 | 10 | 8 |
| | 5' | 18 | 16 | 12 | 11 | 8 | 9 | 8 | 6 |
| | 4' | 14 | 13 | 9 | 9 | 7 | 7 | 7 | 5 |
| | 3' | 11 | 10 | 7 | 7 | 5 | 6 | 5 | 4 |
| | 2' | 9 | 9 | 6 | 6 | 5 | 5 | 5 | 3 |
| | 1' | 8 | 8 | 6 | 6 | 5 | 4 | 4 | 3 |



AERA 2" MULTI-APERTURE

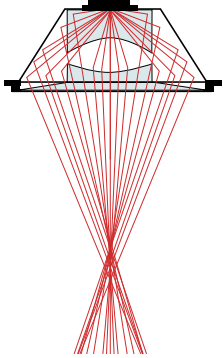


SQUARE RECESSED NEW CONSTRUCTION

Technical Specifications

OPTIC

XPoint™ Refraction Technology optics provide precise optical control in a remarkably compact form. Micro optical paths from the chip on board converge and then disperse in precise beam angles, resulting in a crisp and exacting light quality.



LIGHT SOURCE

Static white

Compact COB (Chip-On-Board) LED module, available in 2200K, 2400K, 2700K, 3000K, 3500K, 4000K, and 5000K with a choice of 80+ CRI, 90+ CRI, or 95+ CRI, with elevated R9 value for 90+ CRI and above. Color consistency is maintained to within 2 SDCM. All LEDs have been tested in accordance with IESNA LM-80-08 and the results have shown L80 lumen maintenance greater than 60,000 hours. Absolute product photometry is measured and presented in accordance with IESNA LM-79, unless otherwise indicated.

Full spectrum static white

The full spectrum LED option offers improved color particularly in the cyan region that is beneficial in both healthcare and circadian lighting strategies. The cyan region in full spectrum LED is richer at the 480 nm range.

Chromawerx SOLA

Chromawerx SOLA is single-channel control that dims output while warming the color temperature in a pre-determined relationship. Two color temperature range options are offered: 3000K to 1800K, and 2700K to 1800K. A simple analog control adjusts a specially populated LED array to emulate the effect of dimming a filament source.

ELECTRICAL

Unless otherwise specified, dimming down to 1%. At maximum driver load: efficiency > 84%, PF > 0.9, THD < 20%.

ELV and TRIAC dimming performance (including minimum dimming percentage) subject to dimmer selection.

Integral: 0-10V, ELV, TRIAC

Remote: 0-10V, ELV, TRIAC, Lutron Hi-Lume 1% EcoSystem, DALI, eldoLED 0.1% SOLOdrive 0-10V, eldoLED 1% ECOdrive 0-10V

Emergency battery options: Remotely-installed, long-life, high-temperature, maintenance-free, Bodine Lithium-Ion battery pack with self-test functionality, test switch and charge indicator. IOTA and Fulham options available upon request. Minimum of 90 minutes operation, and recharge time of 24 hours. For fixtures less than 10 W, the battery provides 6 W of emergency light output. For fixtures 10 W and over, the battery provides 10 W.

PoE

Depending on the PoE manufacturer selected, Lumenwerx will install the node in factory as either integral to the luminaire or as a remote module. Factory programming of the PoE node may or may not enable the following functionalities: lumen package, DUO (tunable white), QUADRO (RGBW), emergency battery backup, and sensor integration. These must be addressed and evaluated on a case-by-case basis.

CONSTRUCTION

Housing

For new construction, 20 gauge powder coated steel. Open frame, type-IC, or Chicago Plenum (CCEA) rated. 18 gauge galvanized steel junction box with ½" trade size knockouts. Adjustable standard, flush mount, adjustable commercial, and adjustable hat channel bar hangers are available as mounting options.

Light element

Adjustability: Hot aiming, 355° rotation and 35° vertical tilt with shift to ensure beam stays centered (Recessed Adjustable only).

LED module: Integral COB module. 90+ CRI and 2 SDCM, Standard with options of 80+ CRI, or 95+ CRI. L80 > 60,000 hours.

XPoint™ Refraction Technology optic: Micro optical paths from the chip on board converge and then disperse in precise beam angles, resulting in a crisp and exacting light quality.

Thermal management: Cold-forged aluminum heat sink to maximize thermal dissipation.

Baffle: Die-cast aluminum mounted with retaining spring clips

Trim style: Trimmed and trimless with mudplate or millwork adapter

Finish: Matte white, matte black, satin silver, matte silver, champagne, dark bronze, and primer finish. Custom colors also available (provide RAL #). For the primer finish option, fixture must be turned off and the lens masked before applying paint.

WEIGHT

| | Open frame | Type-IC / Chicago Plenum |
|-------|-------------------|--------------------------|
| 1 X 2 | 8.2 lbs - 3.7 kg | 10.2 lbs - 4.6 kg |
| 1 X 3 | 12.4 lbs - 5.6 kg | 14.4 lbs - 6.5 kg |
| 1 X 4 | 16.4 lbs - 7.4 kg | 18.6 lbs - 8.4 kg |
| 2 X 2 | 18.2 lbs - 8.3 kg | 20.2 lbs - 9.2 kg |

Lumenwerx reserves the right to modify product specifications without notification.
AERA2-MULTI-APERTURE-SQUARE-SPEC-REV7 February 11, 2026

www.lumenwerx.com
T (514) 225-4304

© Lumenwerx, ULC. All rights reserved.



AERA 2" MULTI-APERTURE



SQUARE RECESSED NEW CONSTRUCTION

LENS AND ACCESSORIES

Recessed / Recessed adjustable



Soft diffused lens, Solite



Frosted diffused lens



Clear lens



Linear spread



Hex louver

Recessed wall wash



Wall wash

ENVIRONMENT

Ambient temperature at fixture location shall be within 0°C/32°F - 25°C/77°F, indoor dry or damp as well as outdoor damp use (canopies or marquees).

CERTIFICATIONS

ETL: Rated for indoor dry/damp locations. Conforms to UL Standard 1598 and certified to CAN/CSA Standard C22.2 No. 250.0.

IP44: IP44 rated for bathrooms, showers, outdoor canopies, and marquees when specified with the wet location (WET) option.

Chicago Plenum: City of Chicago approved (CCEA) when specified with CP installation type option.

IC rated: Suitable for direct contact with insulation when specified with IC or CP installation type options.

Declare: [LBC Red List Approved](#)

WARRANTY

Lumenwerx provides a five-year limited warranty on electrical and mechanical performance of the luminaires, including the LED boards, drivers, and auxiliary electronics. Lumenwerx will repair or replace defective luminaires or components at our discretion, provided they have been installed and operated in accordance with our specifications. Other limitations apply, please refer to the full warranty on our website.