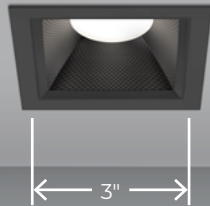


# AERA 3" DEEP DOWNLIGHT SQUARE RECESSED NEW CONSTRUCTION & REMODEL



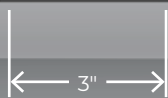
Aera Deep Prism  
Flanged Trim



Aera Deep Smooth  
Trimless

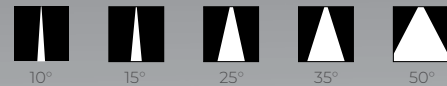


Aera Deep Smooth  
Flanged Trim



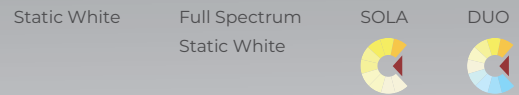
Aera Deep luminaires introduce a unique deep baffle feature to the Aera family, available with a prism or smooth texture. This depth allows for an exceptionally low glare quality of light and a visually quiet ceiling. Aera Deep comes in square or round models and 2" or 3" apertures. The high-performance family displays a precise coupling of optic and trim and can be installed as IC-rated, non-IC-rated, or Chicago Plenum-rated types.

### Beam Angles



Low UGR < 10 in 10°, 15°, 25°, 35°, and 50° beams

### Light Source

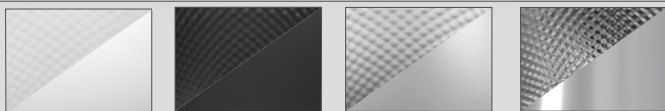


### Performance

LUMEN OUTPUT <sup>1</sup>	WATTS	EFFICACY
1132 lm	10 W	113 lm/W
1545 lm	14 W	110 lm/W
2135 lm	20W	107 lm/W

<sup>1</sup> Lumen packages are assuming 3500K, 80+ CRI, 35° beam, with LSDL lens option.

### Baffle Finish



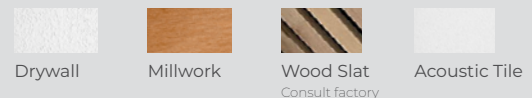
Matte White

Matte Black

Matte Silver

Precision Specular

### Ceiling Types



### Plenum Clearance

As low as 2 5/8"



### Aera Downlight Family (Refer to other spec sheets) Downlight



2" / 3" / 4"  
Round / Square  
Recessed Adjustable



2" / 3" / 4"  
Round / Square  
Recessed



2" / 3" / 4"  
Round / Square  
Recessed Wall Wash

### Deep



2" / 3"  
Round / Square  
Recessed

### Multi-aperture



2" / 3" / 4"  
Round / Square  
Recessed Adjustable



2" / 3" / 4"  
Round / Square  
Recessed



2" / 3" / 4"  
Round / Square  
Recessed Wall Wash

www.lumenwerx.com  
T (514) 225-4304

© Lumenwerx, ULC. All rights reserved.



Lumenwerx reserves the right to modify product specifications without notification.

AERA3-DEEP-DOWNLIGHT-SQUARE-RECESSED-SPEC-REV4 February 4, 2026

# AERA 3" DEEP DOWNLIGHT SQUARE RECESSED NEW CONSTRUCTION & REMODEL



Project: \_\_\_\_\_

Type: \_\_\_\_\_

## Order Guide

### 1 - Housing (Example: AE3DSR-TRM-SW-OF-ASB-120V-10W-D1)

LUMINAIRE ID <sup>1</sup>	TRIM STYLE	LIGHT SOURCE	INSTALLATION TYPE	MOUNTING OPTION <sup>4</sup>
<b>AE3DSR</b>				
<b>AE3DSR</b> - Aera 3" Deep Square Recessed  <sup>1</sup> Round recessed also available. Consult other spec sheets.	<b>TRM</b> - Flanged trim <b>TLMP</b> - Trimless drywall mudplate <b>TLMW</b> <sup>2</sup> - Trimless millwork  <sup>2</sup> For remodel (RM) installation type, TLMW adapter must be installed from above the ceiling or before ceiling is installed.	<b>SW</b> - Static white <b>FS</b> - Full spectrum static white  <b>SOLA</b> - Dim-to-warm single channel control <b>DUO</b> - Tunable white 2-channel control	<b>OF</b> - Open Frame Type Non-IC <b>IC</b> <sup>3</sup> - Type-IC <b>RM</b> - Remodel Type Non-IC <b>CP</b> <sup>3</sup> - Chicago Plenum Type-IC (CCEA) <b>AT</b> <sup>3</sup> - Airtight Type-IC  <sup>3</sup> Only available with 14 W or less.	<b>ASB</b> <sup>5</sup> - Adjustable standard bar hangers <b>FMB</b> <sup>5</sup> - Flush mount bars <b>ACB</b> <sup>5</sup> - Adjustable commercial bar hangers <b>AHC</b> <sup>5</sup> - Adjustable hat channel bars <b>NA</b> - No bar hangers  <sup>4</sup> See page 4 for more details. <sup>5</sup> Not available with RM installation type.
VOLTAGE	WATTAGE <sup>7</sup>	DIMMING <sup>9</sup>		
<b>120V</b> - 120V <b>277V</b> - 277V <b>UNV</b> - 120V-277V <b>347V</b> <sup>6</sup> - 347V  <sup>6</sup> Available with RD1 driver only. Please consult factory.	<b>10W</b> - 10 W output, up to 1132 lm <b>14W</b> - 14 W output, up to 1545 lm <b>20W</b> <sup>8</sup> - 20 W output, up to 2135 lm  <sup>7</sup> Lumen outputs are reduced with full spectrum, consult factory. <sup>8</sup> Not available with IC/CP/AT.  <b>SOLA</b> <sup>8</sup> <b>14W</b> - 14 W output, up to 950 lm <b>18W</b> - 18 W output, up to 1205 lm  <b>DUO</b> <sup>8</sup> <b>14W</b> - 14 W output, up to 1005 lm <b>19W</b> - 19 W output, up to 1355 lm	<b>INTEGRAL</b> <b>D1</b> - 1% 0-10V <b>ELV</b> <sup>10</sup> - ELV 120V <b>TRI</b> <sup>10</sup> - TRIAC 120V <b>DA</b> <sup>11,12</sup> - DALI <b>ELD1</b> <sup>11</sup> - eldoLED 1% ECOdrive 0-10V <b>ELDO</b> <sup>11</sup> - eldoLED 0.1% SOLOdrive 0-10V <b>PEQO</b> <sup>12,13</sup> - Lutron Hi-lume Premier 0.1% EcoSystem  <sup>9</sup> PoE (Power-over-Ethernet) compatible. Consult factory for details. <sup>10</sup> Available with 120V only. <sup>11</sup> Not available with RM installation type. <sup>12</sup> On-site commissioning is required. <sup>13</sup> Available with OF installation type only.	<b>REMOTE</b> <sup>14</sup> <b>RD1</b> - 1% 0-10V <b>RELV</b> <sup>15</sup> - ELV 120V <b>RTRI</b> <sup>15</sup> - TRIAC 120V <b>RLDE1</b> <sup>16</sup> - Lutron Hi-Lume 1% Eco <b>RDA</b> <sup>16</sup> - DALI  <sup>14</sup> A remote driver box is provided. <sup>15</sup> Available with 120V only. <sup>16</sup> On-site commissioning is required. <sup>17</sup> To specify, add +EB to the selected dimming option, e.g. RD1+EB.	<b>RELD1</b> - eldoLED 1% ECOdrive 0-10V <b>RELD0</b> - eldoLED 0.1% SOLOdrive 0-10V <b>RPEQO</b> <sup>16</sup> - Lutron Hi-lume Premier 0.1% EcoSystem <b>+EB</b> <sup>17</sup> - Emergency battery  <b>SOLA</b> <b>RSD1</b> - Single 0-10V input <b>RSELV</b> <sup>15</sup> - ELV 120V <b>RSTRI</b> <sup>15</sup> - TRIAC 120V  <b>DUO</b> <b>RDMX</b> <sup>16</sup> - DMX <b>RDDA8</b> <sup>16</sup> - DALI DT8 <b>RDD1</b> - Dual 0-10V input for CCT/intensity <b>RLD2</b> <sup>16</sup> - Lutron DALI-2 digital <b>+EB</b> <sup>17</sup> - Emergency battery

### 2 - Light & Baffle (Example: AE3DPSRB-SW-10W-15DEG-2STP-90CRI-27K-LSDL-TRM-FMWH-FMWH)

LUMINAIRE ID	LIGHT SOURCE Specify same as Housing	WATTAGE <sup>18</sup> Specify same as Housing	BEAM	COLOR QUALITY	CRI
<b>AE3DPSRB</b> - Aera 3" Deep Prism Square Recessed <b>AE3DSSRB</b> - Aera 3" Deep Smooth Square Recessed	<b>SW</b> - Static white <b>FS</b> - Full spectrum static white  <b>SOLA</b> - Dim-to-warm single channel control <b>DUO</b> - Tunable white 2-channel control	<b>10W</b> - 10 W output, up to 1132 lm <b>14W</b> - 14 W output, up to 1545 lm <b>20W</b> <sup>19</sup> - 20 W output, up to 2135 lm  <sup>18</sup> Lumen outputs are reduced with full spectrum, consult factory. <sup>19</sup> Not available with IC/CP/AT.	<b>10DEG</b> - 10° Very narrow spot <b>15DEG</b> - 15° Narrow spot <b>25DEG</b> - 25° Spot <b>35DEG</b> - 35° Narrow flood <b>50DEG</b> - 50° Wide flood  <b>25DEG</b> - 25° Spot <b>35DEG</b> - 35° Narrow flood <b>60DEG</b> - 60° Wide flood	<b>2STP</b> <sup>20</sup> - 2 Step MacAdam Ellipse <b>3STP</b> - 3 Step MacAdam Ellipse  <sup>20</sup> Not available with full spectrum.	<u>Static white</u> <b>80CRI</b> - 80+ CRI <b>90CRI</b> - 90+ CRI <b>95CRI</b> - 95+ CRI  <u>Full spectrum</u> <b>90CRI</b> - 90+ CRI
COLOR TEMPERATURE	ACCESSORY See page 5 for details	TRIM STYLE Specify same as Housing	BAFFLE FINISH	TRIM FLANGE FINISH Specify NA for Trimless	
<b>22K</b> <sup>21</sup> - 2200K <b>24K</b> <sup>22</sup> - 2400K <b>27K</b> - 2700K <b>30K</b> - 3000K  <sup>21</sup> Only available with 90+ CRI. <sup>22</sup> Not available with 95+ CRI.  <b>SOLA</b> <b>30K18K</b> - 3000K to 1800K <b>27K18K</b> - 2700K to 1800K  <b>DUO</b> <b>65K27K</b> - 6500K to 2700K <b>50K27K</b> - 5000K to 2700K	<b>35K</b> - 3500K <b>40K</b> - 4000K <b>50K</b> <sup>22</sup> - 5000K	<b>At light element</b>  <b>LSDL</b> - Soft diffused lens, Solite <b>LFDL</b> - Frosted diffused lens	<b>TRM</b> - Flanged trim <b>TLMP</b> - Trimless drywall mudplate <b>TLMW</b> <sup>23</sup> - Trimless millwork  <sup>23</sup> For remodel (RM) installation type, TLMW adapter must be installed from above the ceiling or before ceiling is installed.	<b>FMWH</b> - Matte white <b>FMBK</b> - Matte black <b>FMSL</b> - Matte silver <b>FPSPC</b> - Precision specular	<b>FMWH</b> - Matte white <b>FMBK</b> - Matte black <b>NA</b> - Not applicable



# AERA 3" DEEP DOWNLIGHT SQUARE RECESSED NEW CONSTRUCTION & REMODEL

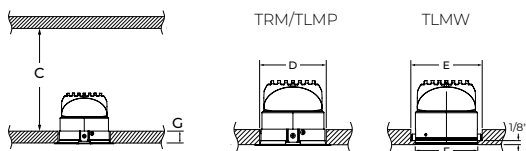


## Housing

INSTALLATION TYPES		
<b>OF</b> - Open Frame Type Non-IC	<b>IC</b> - Type-IC	<b>CP</b> - Chicago Plenum Type-IC (CEEA) <b>AT</b> - Airtight Type-IC
<b>RM</b> - Remodel Type Non-IC		
Integral	Remote	

- For height dimension C, see the PLENUM CLEARANCE & CUT-OUT DIMENSIONS table below.
- For OF, IC, CP, and AT installation types with remote dimming, a remote driver box is provided.
- Clearance between sides of luminaire and parts of building must be 1/2" minimum; clearance to insulating materials to be 3" minimum, unless luminaires are IC rated.

## PLENUM CLEARANCE & CUT-OUT DIMENSIONS



PLENUM CLEARANCE HEIGHT			
REMOTE & INTEGRAL			
		DI/ELV/TRI	LDEI/DA /ELDI/ELDO/PEQ0
<b>C</b>	<b>OF</b>	2 5/8" (FMB) 4 1/8"	6"
	<b>IC</b>	2 5/8" (10 W - FMB) 4" (10 W - ASB, ACB, AHC)	6 3/8"
		4" (14 W) 6 3/8" (20 W)	
		4 7/8" (14 W) 6 7/8" (20 W)	
	<b>CP /AT</b>	4 7/8" (14 W) 6 7/8" (20 W)	6 7/8"
<b>RM</b>	4 1/8"	NA	
CUT-OUT DIMENSIONS			
<b>D</b>	<b>TRM/ TLMP</b>	3 1/2" x 3 1/2"	
<b>E</b>	<b>TLMW</b>	3 1/2" x 3 1/2"	
<b>F</b>		3 1/16" x 3 1/16" with 1/8" lip	
MAXIMUM CEILING THICKNESS			
<b>G</b>	<b>TRM/ TLMP</b>	1 3/8"	
	<b>TLMW</b>	5/8"	



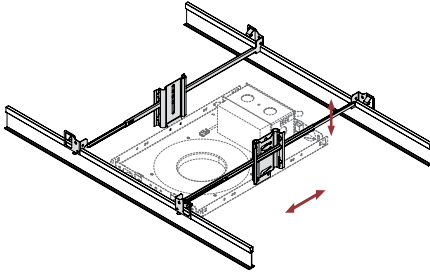
# AERA 3" DEEP DOWNLIGHT SQUARE RECESSED NEW CONSTRUCTION & REMODEL



## Housing

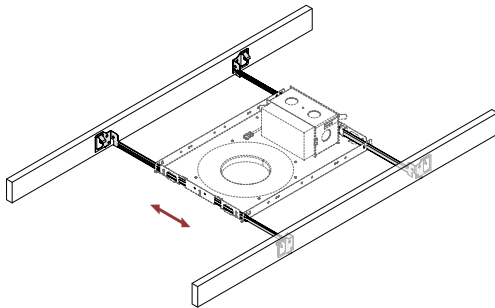
### MOUNTING OPTIONS

#### ASB - Adjustable Standard Bar Hangers



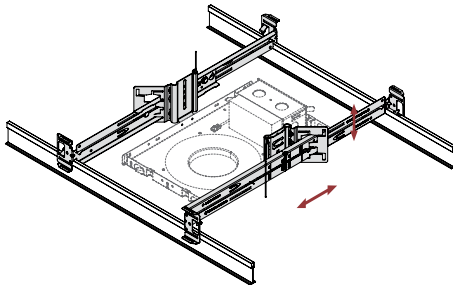
Adjustable Standard Bar hangers can be used in both commercial and residential applications and are adjustable to various heights in both Grid Ceiling and Drywall mounting. ASB hangers are less rigid and versatile than ACB hangers.

#### FMB - Flush Mount Bars



Flush Mount Bars are best used in residential applications, fitting snug to the surface and suitable for Wood, Metal, and Drywall mounting. The flush mounted bars are static and can't be adjusted.

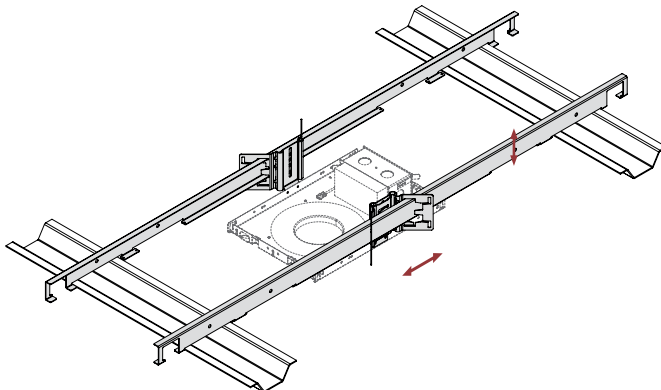
#### ACB - Adjustable Commercial Bar Hangers



Adjustable Commercial Bar hangers can be used in both commercial and residential applications and are by far the most versatile mounting bar we offer with its adjustability to various heights. ACB hangers are suitable for Grid Ceiling, Drywall, Metal, Wood and Frame mounting.

- Extremely rigid
- Fits into C-Channel notches in a Butterfly Bracket

#### AHC - Adjustable Hat Channel Bars

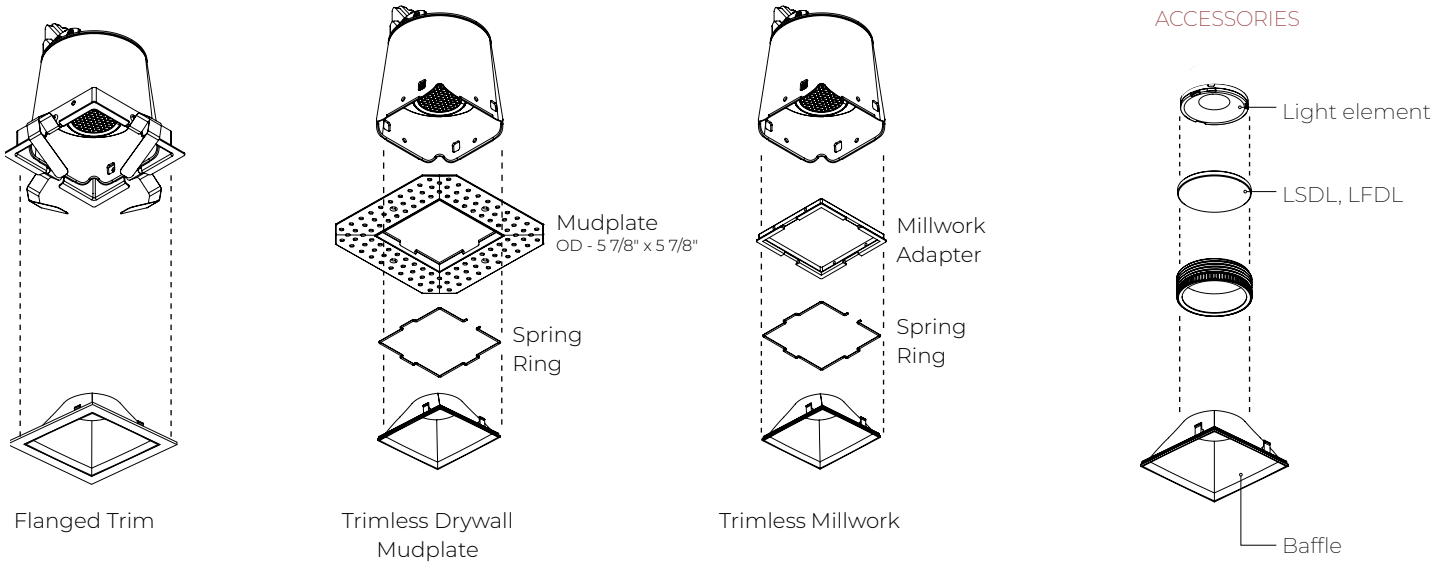


Adjustable Hat Channel bars can be used in both commercial and residential applications and come with a butterfly clip to adjust to various heights. AHC bars can be hung downward by 90 degrees in vertical position, and once wired, can be shifted onto the horizontal mounting plane. AHC bars are suitable for both Drywall and wood ceiling applications.

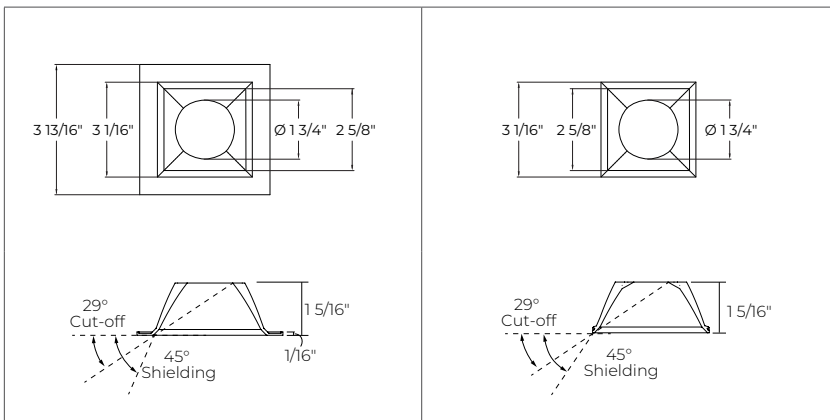
# AERA 3" DEEP DOWNLIGHT SQUARE RECESSED NEW CONSTRUCTION & REMODEL



## Light & Baffle



<b>TRM</b> Flanged Trim	<b>TLMP/TLMW</b> Trimless Drywall Mudplate /Trimless Millwork
<p>  Baffle finish   Trim flange finish                 </p>	

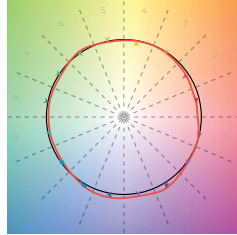


# AERA 3" DEEP DOWNLIGHT SQUARE RECESSED NEW CONSTRUCTION & REMODEL



## Color Quality

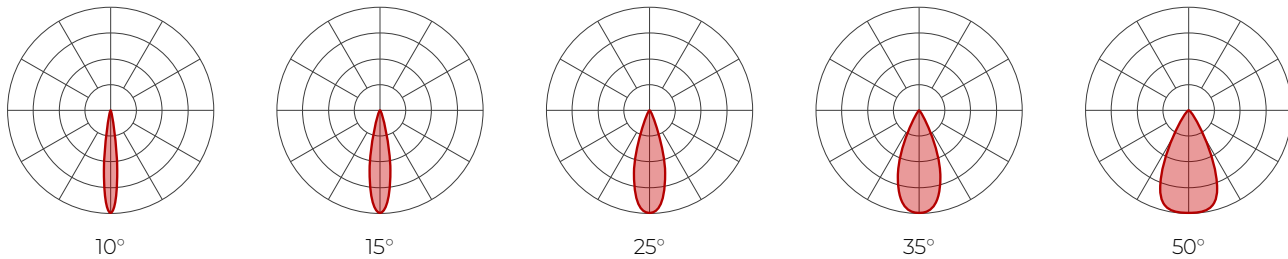
COLOR QUALITY - 3500K	
TM-30 Rf	90
TM-30 Rg	100
CRI	90+
R9	> 50



## Photometrics

### STATIC WHITE

Values calculated based on 3500K, matte white baffle, and LSDL lens option.



### Delivered lumens (LM)

CRI	80+ CRI					90+ CRI					95+ CRI				
	10°	15°	25°	35°	50°	10°	15°	25°	35°	50°	10°	15°	25°	35°	50°
10 W	950	1056	1127	1132	1003	888	987	1053	1058	937	684	760	811	815	721
14 W	1297	1441	1539	1545	1370	1212	1347	1438	1444	1280	933	1037	1107	1112	986
20 W	1792	1991	2125	2135	1892	1675	1861	1986	1995	1768	1290	1433	1529	1536	1361

### Efficacy (LM/W)

CRI	80+ CRI					90+ CRI					95+ CRI				
	10°	15°	25°	35°	50°	10°	15°	25°	35°	50°	10°	15°	25°	35°	50°
10 W	95	106	113	113	100	89	99	105	106	94	68	76	81	81	72
14 W	93	103	110	110	98	87	96	103	103	91	67	74	79	79	70
20 W	90	100	106	107	95	84	93	99	100	88	64	72	76	77	68

### MULTIPLIERS

Please follow the multiplier tables to ensure correct lumen value. Beams, CCT, trim styles, baffle colors and accessories will change the lumen value.

CCT	
2200K	0.80
2400K	0.87
2700K	0.94
3000K	0.98
3500K	1
4000K	1.05
5000K	1.05

TRIM STYLE	
Flanged trim	1
Trimless	1

BAFFLE FINISH	
Matte white	1
Matte black	0.95
Matte silver	0.98
Precision specular	1

ACCESSORIES * (At light element)	
LSDL - Soft diffused lens, Solite	1
LFDL - Frosted lens	0.8

For SOLA and DUO, please consult factory.



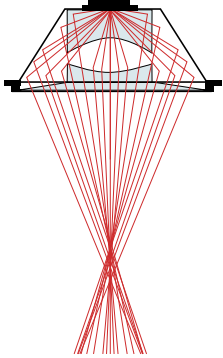
# AERA 3" DEEP DOWNLIGHT SQUARE RECESSED NEW CONSTRUCTION & REMODEL



## Technical Specifications

### OPTIC

XPoint™ Refraction Technology optics provide precise optical control in a remarkably compact form. Micro optical paths from the chip on board converge and then disperse in precise beam angles, resulting in a crisp and exacting light quality.



### LIGHT SOURCE

#### Static white

Compact COB (Chip-On-Board) LED module, available in 2200K, 2400K, 2700K, 3000K, 3500K, 4000K, and 5000K with a choice of 80+ CRI, 90+ CRI, or 95+ CRI, with elevated R9 value for 90+ CRI and above. Color consistency is maintained to within 2 SDCM. All LEDs have been tested in accordance with IESNA LM-80-08 and the results have shown L80 lumen maintenance greater than 60,000 hours. Absolute product photometry is measured and presented in accordance with IESNA LM-79, unless otherwise indicated.

#### Full spectrum static white

The full spectrum LED option offers improved color particularly in the cyan region that is beneficial in both healthcare and circadian lighting strategies. The cyan region in full spectrum LED is richer at the 480 nm range.

#### Chromawerx SOLA

Chromawerx SOLA is single-channel control that dims output while warming the color temperature in a pre-determined relationship. Two color temperature range options are offered: 3000K to 1800K, and 2700K to 1800K. A simple analog control adjusts a specially populated LED array to emulate the effect of dimming a filament source.

#### Chromawerx DUO

Chromawerx DUO offers a two-channel control system which uses analog or digital protocols for synchronous control of both cool to warm LED arrays - maintaining a CRI above 90. Two color temperature range options are offered: 6500K to 2700K, and 5000K to 2700K. The range of color DUO offers is useful for entraining circadian rhythms, stimulating alertness, and compensating for jet lag among other applications. The Chromawerx drivers are programmed to limit maximum light output and power usage across all color temperatures. When paired with DALI drivers (DDA/DDA8), color tuning follows a linear dimming curve.

### ELECTRICAL

Unless otherwise specified, dimming down to 1%. At maximum driver load: efficiency > 84%, PF > 0.9, THD < 20%. ELV and TRIAC dimming performance (including minimum dimming percentage) subject to dimmer selection.

**Integral:** 0-10V, ELV, TRIAC, Lutron Hi-Lume EcoSystem, DALI, eldoLED 0.1% SOLOdrive 0-10V, eldoLED 1% ECOdrive 0-10V

**Remote:** 0-10V, ELV, TRIAC, Lutron Hi-Lume EcoSystem, DALI, eldoLED 0.1% SOLOdrive 0-10V, eldoLED 1% ECOdrive 0-10V, DMX, Lutron DALI-2 digital

**Emergency battery options:** Remotely-installed, long-life, high-temperature, maintenance-free, Bodine Lithium-Ion battery pack with self-test functionality, test switch and charge indicator. IOTA and Fulham options available upon request. Minimum of 90 minutes operation, and recharge time of 24 hours. For fixtures less than 10 W, the battery provides 6 W of emergency light output. For fixtures 10 W and over, the battery provides 10 W.

### PoE

Depending on the PoE manufacturer selected, Lumenwerx will install the node in factory as either integral to the luminaire or as a remote module. Factory programming of the PoE node may or may not enable the following functionalities: lumen package, DUO (tunable white), QUADRO (RGBW), emergency battery backup, and sensor integration. These must be addressed and evaluated on a case-by-case basis.

### CONSTRUCTION

#### Housing

For new construction, 20 gauge powder coated steel. Open frame, type-IC, or Chicago Plenum (CCEA) rated. 18 gauge galvanized steel junction box with ½" trade size knockouts. Adjustable standard, flush mount, adjustable commercial, and adjustable hat channel bar hangers are available as mounting options.

# AERA 3" DEEP DOWNLIGHT SQUARE RECESSED NEW CONSTRUCTION & REMODEL



## Light element

**LED module:** Integral COB module. 90+ CRI and 2 SDCM, Standard with options of 80+ CRI, or 95+ CRI. L80 > 60,000 hours.

**XPoint™ Refraction Technology optic:** Micro optical paths from the chip on board converge and then disperse in precise beam angles, resulting in a crisp and exacting light quality.

**Thermal management:** Die-cast aluminum heat sink to maximize thermal dissipation.

**Baffle:** Polycarbonate plastic with integrated clips

**Trim style:** Trimmed and trimless with mudplate or millwork adapter

## WEIGHT

**Open frame:** 4.3 lbs - 1.9 kg

**Type-IC:** 4.5 lbs - 2.0 kg

**Chicago Plenum:** 7.5 lbs - 3.4 kg

**Remodel:** 3.25 lbs - 1.5 kg

## ACCESSORIES



Soft diffused lens, Solite



Frosted diffused lens

## ENVIRONMENT

Ambient temperature at fixture location shall be within 0°C/32°F - 25°C/77°F, indoor dry or damp as well as outdoor damp use (canopies or marquees).

## CERTIFICATIONS

**ETL:** Rated for indoor dry/damp locations. Conforms to UL Standard 1598 and certified to CAN/CSA Standard C22.2 No. 250.0.

**Chicago Plenum:** City of Chicago approved (CCEA) when specified with CP installation type option.

**IC rated:** Suitable for direct contact with insulation when specified with IC, CP or AT installation type options.

## WARRANTY

Lumenwerx provides a five-year limited warranty on electrical and mechanical performance of the luminaires, including the LED boards, drivers, and auxiliary electronics. Lumenwerx will repair or replace defective luminaires or components at our discretion, provided they have been installed and operated in accordance with our specifications. Other limitations apply, please refer to the full warranty on our website.