

AERA 3" FLEX CYLINDER

PENDANT
DIRECT



The Aera 3" Flex Cylinder is adjustable, tilting upwards to 90 degrees and rotating 355 degrees. Mountable as a recessed, surface, pendant, or wall fixture, it brings to the Aera family added flexibility and more options to customize lighting effects.

Beam Angles

15° 25° 35° 50° 80° 90°
Low UGR < 10 in 15°, 25°, 35°, and 50° beams

Performance

LUMEN OUTPUT ¹	WATTS	EFFICACY
1132 lm	10 W	113 lm/W
1545 lm	14 W	110 lm/W

¹Lumen packages are assuming 3500K, 80+ CRI, 35° beam, bevel baffle, SDL lens option.

Light Source

Static White
Full Spectrum Static White
SOLA - Dim-to-Warm
DUO - Tunable White

COB

2 Step Color Binning
Up to 95+ CRI

Driver

1%, 0.1% Dimming Available
0-10V, TRIAC, ELV, Lutron EcoSystem, DALI, DMX
Emergency Battery (optional)

Mounting Options

Flat Conduit Direct

Aera Cylinder Family (Refer to other spec sheets)

Cylinder

2" / 3" / 4" / 5"
4" Seal
Pendant Asymmetric
Pendant Wall Wash

2" / 3" / 4" / 5"
4" Seal
Wall Asymmetric

2" / 3" / 4" / 5"
4" Seal
Surface Asymmetric
Surface Wall Wash

Inflex Cylinder

2" / 3" / 4"
Pendant

2" / 3" / 4"
Surface

Flex Cylinder

3"
Pendant

3"
Recessed

3"
Surface

3"
Wall



AERA 3" FLEX CYLINDER

PENDANT
DIRECT



Project: _____

Type: _____

Order Guide

LUMINAIRE ID ¹	DISTRIBUTION	CYLINDER HEIGHT ²	CYLINDER FINISH	BAFFLE STYLE	BAFFLE FINISH
AE3FXCYP	D				
AE3FXCYP - Aera 3" Flex Cylinder Pendant ¹ Surface, Recessed, and Wall also available. Consult other spec sheets.	D - Direct	4.5IN - 4.5" 6IN - 6" ² See page 3 for dimensions.	FTMW - Matte white FTMB - Matte black FCHP - Champagne FDBZ - Dark bronze CF# - Custom finish, specify RAL#	BVL - Bevel PHL - Pinhole BVLD - Decorative bevel	FTMW - Matte white FTMB - Matte black FSPC - Satin silver FSSPC - Matte silver FCHP - Champagne FDBZ - Dark bronze CF# - Custom finish, specify RAL#

LENS * See page 3 for details	LIGHT SOURCE	BEAM	COLOR QUALITY	CRI	COLOR TEMPERATURE
At baffle (choose 1 option) Specify NOL for Pinhole SDL - Soft diffused lens, Solite FDL - Frosted diffused lens CL - Clear lens NOL - No lens	SW - Static white FS - Full spectrum static white SOLA - Dim-to-warm single channel control DUO - Tunable white 2-channel control	15DEG - 15° Narrow spot 25DEG - 25° Spot 35DEG - 35° Narrow flood 50DEG - 50° Wide flood 80DEG - 80° Very wide flood 90DEG - 90° Open flood 25DEG - 25° Spot 35DEG - 35° Narrow flood 60DEG - 60° Wide flood 80DEG - 80° Very wide flood 90DEG - 90° Open flood	2STP ³ - 2 Step MacAdam Ellipse 3STP - 3 Step MacAdam Ellipse 3STP - 3 Step MacAdam Ellipse ³ Not available with full spectrum.	80CRI ⁴ - 80+ CRI 90CRI ⁴ - 90+ CRI 95CRI - 95+ CRI ⁴ Not available with full spectrum.	24K ⁵ - 2400K 27K - 2700K 30K - 3000K 35K - 3500K 40K - 4000K 50K ⁵ - 5000K ⁵ Not available with 95+ CRI. SOLA 30K18K - 3000K to 1800K 27K18K - 2700K to 1800K DUO 65K27K - 6500K to 2700K 50K27K - 5000K to 2700K

* **LSDL** or **LFDL** at light element cannot be combined with **SDL**, **FDL**, or **CL** at baffle.

ACCESSORIES * See page 3 for details	VOLTAGE	WATTAGE ¹⁰	DIMMING ¹¹		
At light element ^{6,7} (choose up to 2 options for SW/FS and 1 option for SOLA/DUO) LSDL - Soft diffused lens, Solite LFDL - Frosted diffused lens LS - Linear spread HEX ⁸ - Hex louver NA - None ⁶ Separate codes with a "+" if more than one is specified, e.g. LSDL+LS. ⁷ LSDL and LFDL cannot be combined. LS and HEX cannot be combined. ⁸ Not available with 80°/90° beam options.	120V - 120V 277V - 277V UNV - 120V-277V 347V ⁹ - 347V ⁹ Available with RD1 driver only. Please consult factory.	10W - 10 W output, up to 1132 lm 14W - 14 W output, up to 1545 lm ¹⁰ Lumen outputs are reduced with full spectrum, consult factory. SOLA 14W - 14 W output, up to 950 lm DUO 10W - 10 W output, up to 715 lm 14W - 14 W output, up to 1005 lm	INTEGRAL ¹² D1 - 1% 0-10V ELV ¹³ - ELV 120V TRI ¹³ - TRIAC 120V ¹¹ PoE (Power-over-Ethernet) compatible. Consult factory for details. ¹² Not available with DMNC/DMRM canopy options. ¹³ Available with 120V only.	REMOTE ¹⁴ RD1 - 1% 0-10V RELV ¹³ - ELV 120V RTRI ¹³ - TRIAC 120V RLDE1 ¹⁵ - Lutron Hi-lume 1% Eco ¹⁴ A remote driver box is provided. ¹⁵ On-site commissioning is required. ¹⁶ To specify, add +EB to the selected dimming option, e.g. RD1+EB.	RDA ¹⁵ - DALI RELD1 - eldoLED 1% ECOdrive 0-10V RELD0 - eldoLED 0.1% SOLOdrive 0-10V +EB ¹⁶ - Emergency battery SOLA RSD1 - Single 0-10V input RSELV ¹³ - ELV 120V RSTRI ¹³ - TRIAC 120V DUO RDMX ¹⁵ - DMX RDDA ¹⁵ - DALI DT6 RDDA8 ¹⁵ - DALI DT8 RDD1 - Dual 0-10V input for CCT/intensity RLD2 ¹⁵ - Lutron DALI-2 digital +EB ¹⁶ - Emergency battery

CANOPY TYPE ¹⁷	CANOPY FINISH	SUSPENSION ²²
FLR ¹⁸ - Flat round canopy, 4" octagonal junction box CDR ¹⁹ - Conduit feed, round canopy DMNC ²⁰ - Direct mount, new construction DMRM ^{20,21} - Direct mount, remodel ¹⁷ See page 4 for details. ¹⁸ Driver is housed in j-box when specified with integral drivers. ¹⁹ Driver is housed in canopy when specified with integral drivers. ²⁰ Available with remote driver only. ²¹ Single wiring entry only. No daisy chain connections allowed.	FTMW - Matte white FTMB - Matte black FCHP - Champagne FDBZ - Dark bronze CF# - Custom finish, specify RAL#	BKS##IN - Matte black stem WHS##IN - Matte white stem CF#S##IN ²³ - Custom finish stem ²² Min 10" - max 72", specify length (##) in inches. ²³ Specify RAL#.

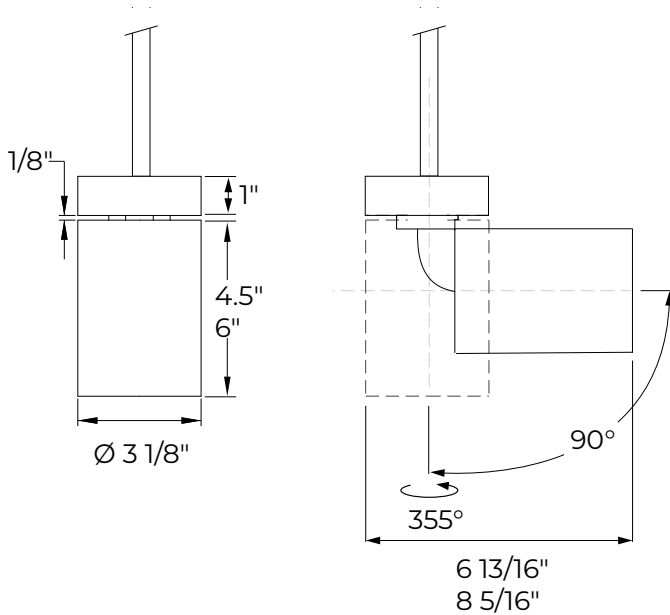


AERA 3" FLEX CYLINDER

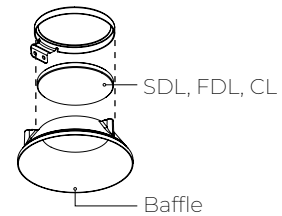
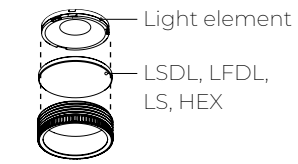
PENDANT
DIRECT



Dimensions



Lens and Accessories



BAFFLE

BVL Bevel	PHL Pinhole	BVLD Decorative bevel
<p>■ Baffle finish ■ Textured matte black</p>		
<p>Dimensions: $\text{Ø } 3\frac{1}{16}"$, $\text{Ø } 1\frac{13}{16}"$, $7\frac{7}{8}"$. Cut-off: 20° Shielding: 56°</p>	<p>Dimensions: $\text{Ø } 3\frac{1}{16}"$, $\text{Ø } 1\frac{13}{16}"$, $1\frac{3}{16}"$. Cut-off: 40° Shielding: 56°</p>	<p>Dimensions: $\text{Ø } 3\frac{1}{8}"$, $\text{Ø } 1\frac{13}{16}"$, $1"$, $3\frac{1}{16}"$. Cut-off: 23° Shielding: 58°</p>

AERA 3" FLEX CYLINDER

PENDANT
DIRECT



Mounting

CANOPY

INTEGRAL DRIVER		REMOTE DRIVER				
Order code	FLR Flat round canopy, 4" octagonal junction box	CDR Conduit feed, round canopy	FLR Flat round canopy, 4" octagonal junction box	CDR Conduit feed, round canopy	DMNC Direct mount, new construction	DMRM * Direct mount, remodel
Canopy type						
Canopy size	Ø 4 1/2" Height 3/8"	Ø 5 1/2" Height 1 15/16"	Ø 4 1/2" Height 3/8"	Ø 5 1/2" Height 1 15/16"	Ø 3 1/8" Height 2"	

* Single wiring entry only. No daisy chain connections allowed.

SUSPENSION

STEM
Stem Lengths (*)
Min 10" Max 72"

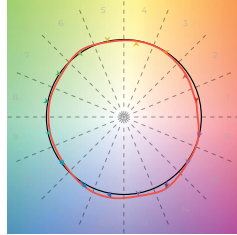
AERA 3" FLEX CYLINDER

PENDANT
DIRECT



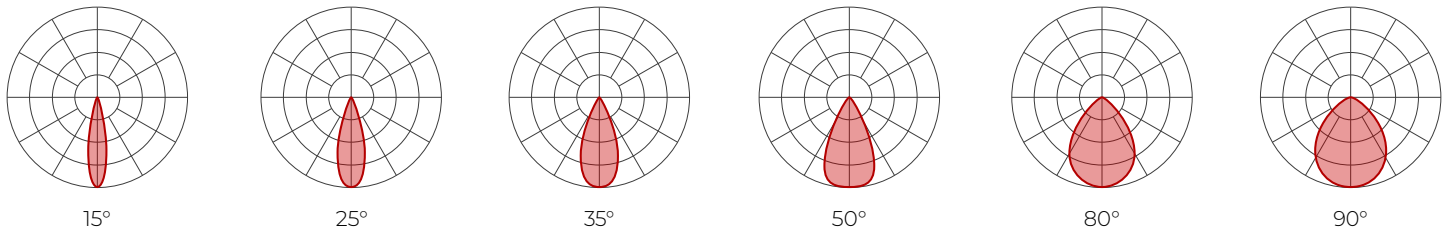
Color Quality

COLOR QUALITY - 3500K	
TM-30 R _r	90
TM-30 R _g	100
CRI	90+
R9	> 50



Photometrics

Values calculated based on 3500K, bevel baffle, and SDL lens option.



Delivered lumens

CRI	80+ CRI						90+ CRI						95+ CRI					
	15°	25°	35°	50°	80°	90°	15°	25°	35°	50°	80°	90°	15°	25°	35°	50°	80°	90°
10 W	1056	1127	1132	1003	902	902	987	1053	1058	937	843	843	760	811	815	721	649	649
14 W	1441	1539	1545	1370	1233	1233	1347	1438	1444	1280	1152	1152	1037	1107	1112	986	887	887

Efficacy

CRI	80+ CRI						90+ CRI						95+ CRI					
	15°	25°	35°	50°	80°	90°	15°	25°	35°	50°	80°	90°	15°	25°	35°	50°	80°	90°
10 W	106	113	113	100	90	90	99	105	106	94	84	84	76	81	81	72	65	65
14 W	103	110	110	98	88	88	96	103	103	91	82	82	74	79	79	70	63	63

MULTIPLIERS

Please follow the multiplier tables to ensure correct lumen value. Beams, CCT, baffle styles, baffle colors, lensing and accessories will change the lumen value.

CCT		BAFFLE STYLE AND COLOR			LENS * (At baffle)		ACCESSORIES * (At light element)	
2400K	0.87	Bevel	White	1	SDL - Soft diffused lens, Solite	1	LSDL - Soft diffused lens, Solite	1
2700K	0.94		Black	1	FDL - Frosted diffused lens	0.8	LFDL - Frosted diffused lens	0.8
3000K	0.98	Pinhole	White	0.92	CL - Clear lens	1.1	LS - Linear spread	0.84
3500K	1		Black	0.92	NOL - No lens	1.1	HEX - Hex louver	0.86
4000K	1.05	Decorative bevel	White	1	* When more than one lens or accessory is specified, multiply together the value of each lens and/or accessory. e.g. NOL + LSDL + LS = 1.1 x 1 x 0.84 = 0.924			
5000K	1.05		Black	1				

For SOLA and DUO, please consult factory.

AERA 3" FLEX CYLINDER

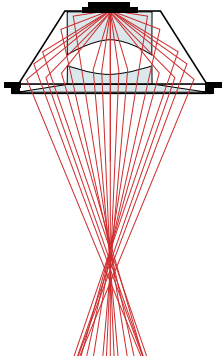
PENDANT
DIRECT



Technical Specifications

OPTIC

XPoint™ Refraction Technology optics provide precise optical control in a remarkably compact form. Micro optical paths from the chip on board converge and then disperse in precise beam angles, resulting in a crisp and exacting light quality.



LIGHT SOURCE

Static white

Compact COB (Chip-On-Board) LED module, available in 2400, 2700K, 3000K, 3500K, 4000K, and 5000K with a choice of 80+ CRI, 90+ CRI, or 95+ CRI, with elevated R9 value for 90+ CRI and above. Color consistency is maintained to within 2 SDCM. All LEDs have been tested in accordance with IESNA LM-80-08 and the results have shown L80 lumen maintenance greater than 60,000 hours. Absolute product photometry is measured and presented in accordance with IESNA LM-79, unless otherwise indicated.

Full spectrum static white

The full spectrum LED option offers improved color particularly in the cyan region that is beneficial in both healthcare and circadian lighting strategies. The cyan region in full spectrum LED is richer at the 480 nm range.

Chromawerx SOLA

Chromawerx SOLA is single-channel control that dims output while warming the color temperature in a pre-determined relationship. Two color temperature range options are offered: 3000K to 1800K, and 2700K to 1800K. A simple analog control adjusts a specially populated LED array to emulate the effect of dimming a filament source.

Chromawerx DUO

Chromawerx DUO offers a two-channel control system which uses analog or digital protocols for synchronous control of both cool to warm LED arrays - maintaining a CRI above 90. Two color temperature range options are offered: 6500K to 2700K, and 5000K to 2700K. The range of color DUO offers is useful for entraining circadian rhythms, stimulating alertness, and compensating for jet lag among other applications. The Chromawerx drivers are programmed to limit maximum light output and power usage across all color temperatures. When paired with DALI drivers (DDA/DDA8), color tuning follows a linear dimming curve.

ELECTRICAL

Unless otherwise specified, dimming down to 1%. At maximum driver load: efficiency > 84%, PF > 0.9, THD < 20%. ELV and TRIAC dimming performance (including minimum dimming percentage) subject to dimmer selection.

Integral: 0-10V, ELV, TRIAC

Remote: 0-10V, ELV, TRIAC, Lutron Hi-Lume 1% EcoSystem, DALI, eldoLED 0.1% SOLOdrive 0-10V, eldoLED 1% ECOdrive 0-10V, DMX, Lutron DALI-2 digital

Emergency battery option: Remotely-installed, long-life, high-temperature, maintenance-free, Bodine Lithium-Ion battery pack with self-test functionality, test switch and charge indicator. IOTA and Fulham options available upon request. Minimum of 90 minutes operation, and recharge time of 24 hours. For fixtures less than 10 W, the battery provides 6 W of emergency light output. For fixtures 10 W and over, the battery provides 10 W.

PoE

Depending on the PoE manufacturer selected, Lumenwerx will install the node in factory as either integral to the luminaire or as a remote module. Factory programming of the PoE node may or may not enable the following functionalities: lumen package, DUO (tunable white), QUADRO (RGBW), emergency battery backup, and sensor integration. These must be addressed and evaluated on a case-by-case basis.

CONSTRUCTION

Housing: Die-cast and extruded aluminum

Stem: Ø 1/2" rigid stem 10" to 72" standard length

Canopy: Flat, conduit feed, and direct

Finish: Matte white, matte black, champagne, and dark bronze.

Custom colors also available (provide RAL #). Satin silver and matte silver finishes are also available for Baffle.

Heat sink: Die-cast aluminum

Baffle: Die-cast aluminum

Baffle style: Bevel, pinhole, and decorative bevel

AERA 3" FLEX CYLINDER

PENDANT

DIRECT



WEIGHT

4.5": 1.8 lbs - 0.82 kg

6": 2.4 lbs - 1.09 kg

LENS AND ACCESSORIES



Soft diffused lens, Solite



Frosted diffused lens



Clear lens



Linear spread



Hex louver

ENVIRONMENT

Ambient temperature at fixture location shall be within 0°C/32°F - 25°C/77°F, indoor dry or damp as well as outdoor damp use (canopies or marquees).

CERTIFICATION

ETL: Rated for indoor dry/damp locations. Conforms to UL Standard 1598 and certified to CAN/CSA Standard C22.2 No. 250.0.

WARRANTY

Lumenwerx provides a five-year limited warranty on electrical and mechanical performance of the luminaires, including the LED boards, drivers, and auxiliary electronics. Lumenwerx will repair or replace defective luminaires or components at our discretion, provided they have been installed and operated in accordance with our specifications. Other limitations apply, please refer to the full warranty on our website.