

# AERA 3" MULTI-APERTURE



SQUARE RECESSED  
NEW CONSTRUCTION



1 X 3  
Bevel Trimless

Aera recessed multi-apertures are true to size, encased in minimalist housing, and suitable additions to any interior space where outstanding optical performance, maximal eye comfort, and/or an industry-leading wall wash are required.

## Array



## Ceiling Types



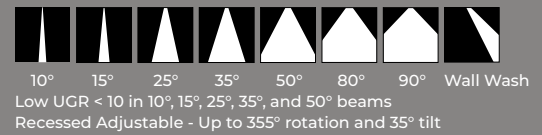
## Installation Types

New Construction (Type Non-IC, Type-IC, CCEA)

## Plenum Clearance



## Beam Angles



Low UGR < 10 in 10°, 15°, 25°, 35°, and 50° beams  
Recessed Adjustable - Up to 355° rotation and 35° tilt

## Light Source

Static White  
Full Spectrum Static White  
SOLA - Dim-to-Warm



## COB

2 Step Color Binning  
Up to 95+ CRI

## Driver

1%, 0.1% Dimming Available  
0-10V, TRIAC, ELV, Lutron EcoSystem, DALI  
Emergency Battery (optional)

## Aera Family (Refer to other spec sheets)

### Downlight



2" / 3" / 4"  
Round / Square  
Recessed Adjustable



2" / 3" / 4"  
Round / Square  
Recessed



2" / 3" / 4"  
Round / Square  
Recessed Wall Wash

### Multi-aperture



2" / 3" / 4"  
Round / Square  
Recessed Adjustable



2" / 3" / 4"  
Round / Square  
Recessed



2" / 3" / 4"  
Round / Square  
Recessed Wall Wash

### Cylinder



2" / 3" / 4" / 5" / 6"  
4" Seal  
Pendant  
Pendant Asymmetric  
Pendant Wall Wash



2" / 3" / 4" / 5" / 6"  
4" Seal  
Wall  
Wall Asymmetric



2" / 3" / 4" / 5" / 6"  
4" Seal  
Surface  
Surface Asymmetric  
Surface Wall Wash

www.lumenwerx.com  
T (514) 225-4304

© Lumenwerx, ULC. All rights reserved.



Lumenwerx reserves the right to modify  
product specifications without notification.

AERA3-MULTI-APERTURE-SQUARE-SPEC-REV7 February 11, 2026

# AERA 3" MULTI-APERTURE

SQUARE RECESSED  
NEW CONSTRUCTION



Project: \_\_\_\_\_

Type: \_\_\_\_\_

## Order Guide

### 1 - Housing (Example: AE3MSR-1X2M-TRM-OF-ASB)

LUMINAIRE ID <sup>1</sup>	ARRAY	TRIM STYLE	INSTALLATION TYPE	MOUNTING OPTION <sup>3</sup>
<b>AE3MSR</b>				
<b>AE3MSR</b> - Aera 3" Multi-aperture Square Recessed  <sup>1</sup> Round recessed also available. Consult other spec sheet.	<b>1X2M</b> - 1 X 2 <b>1X3M</b> - 1 X 3 <b>1X4M</b> - 1 X 4 <b>2X2M</b> - 2 X 2	<b>TRM</b> - Flanged trim <b>TLMP</b> - Trimless drywall mudplate <b>TLMW</b> - Trimless millwork	<b>OF</b> - Open Frame Type Non-IC <b>IC <sup>2</sup></b> - Type-IC <b>CP <sup>2</sup></b> - Chicago Plenum Type-IC (CCEA)  <sup>2</sup> Only available with 10 W or less.	<b>ASB</b> - Adjustable standard bar hangers <b>FMB</b> - Flush mount bars <b>ACB</b> - Adjustable commercial bar hangers <b>AHC</b> - Adjustable hat channel bars <b>NA</b> - No bar hangers  <sup>3</sup> See page 4 for more details.

### 2 - Module (Example: AE3MSRB-SW-15DEG-2STP-90CRI-27K-120V-10W-D1-LSDL+LS-TRM-CL-FTMW-FTMW-NA)

MODULE (Specify order code for each module)	
M1	1 X 2  2 X 2
M2	1 X 3
M3	
M4	1 X 4

LUMINAIRE ID	LIGHT SOURCE	BEAM <small>Specify WW for Wall Wash</small>	COLOR QUALITY	CRI	COLOR TEMP.	VOLTAGE
<b>AE3MSRB</b> - Aera 3" Square Recessed Bevel <b>AE3MSRAB</b> - Aera 3" Square Recessed Adjustable Bevel <b>AE3MSRW</b> - Aera 3" Square Recessed Wall Wash	<b>SW</b> - Static white <b>FS</b> - Full spectrum static white  <b>SOLA</b> - Dim-to-warm single channel control	<b>10DEG</b> - 10° Very narrow spot <b>15DEG</b> - 15° Narrow spot <b>25DEG</b> - 25° Spot <b>35DEG</b> - 35° Narrow flood <b>50DEG</b> - 50° Wide flood <b>80DEG</b> - 80° Very wide flood <b>90DEG</b> - 90° Open flood <b>WW</b> - Wall wash  <b>25DEG</b> - 25° Spot <b>35DEG</b> - 35° Narrow flood <b>60DEG</b> - 60° Wide flood <b>80DEG</b> - 80° Very wide flood <b>90DEG</b> - 90° Open flood <b>WW</b> - Wall wash	<b>2STP</b> <sup>4</sup> - 2 Step MacAdam Ellipse <b>3STP</b> - 3 Step MacAdam Ellipse  <sup>4</sup> Not available with full spectrum.	<b>80CRI</b> <sup>5</sup> - 80+ CRI <b>90CRI</b> <sup>5</sup> - 90+ CRI <b>95CRI</b> - 95+ CRI  <sup>5</sup> Not available with full spectrum.	<b>22K</b> <sup>6</sup> - 2200K <b>24K</b> <sup>6</sup> - 2400K <b>27K</b> - 2700K  <b>30K</b> - 3000K <b>35K</b> - 3500K <b>40K</b> - 4000K <b>50K</b> <sup>6</sup> - 5000K  <sup>6</sup> Not available with 95+ CRI.	<b>120V</b> - 120V <b>277V</b> - 277V <b>UNV</b> - 120V-277V <b>347V</b> <sup>7</sup> - 347V  <sup>7</sup> Available with RD1 driver only. Please consult factory.

### WATTAGE PER LIGHT <sup>8</sup> DIMMING <sup>11,12</sup>

RECESSED	RECESSED ADJ.	RECESSED WW	INTEGRAL	REMOTE <sup>14</sup>
<b>10W</b> - 10 W output, up to 1132 lm <b>14W</b> <sup>9</sup> - 14 W output, up to 1545 lm <b>20W</b> <sup>9</sup> - 20 W output, up to 2135 lm  <sup>8</sup> Lumen outputs are reduced with full spectrum, consult factory. <sup>9</sup> Not available with IC/CP. <sup>10</sup> Not available with full spectrum.	<b>10W</b> - 10 W output, up to 1024 lm <b>14W</b> <sup>9,10</sup> - 14 W output, up to 1352 lm <b>20W</b> <sup>9,10</sup> - 20 W output, up to 1922 lm	<b>10W</b> - 10 W output, up to 601 lm <b>14W</b> <sup>9</sup> - 14 W output, up to 822 lm <b>20W</b> <sup>9</sup> - 20 W output, up to 1135 lm	<b>D1</b> - 1% 0-10V <b>ELV</b> <sup>13</sup> - ELV 120V <b>TRI</b> <sup>13</sup> - TRIAC 120V  <sup>11</sup> A driver provided per light. <sup>12</sup> PoE (Power-over-Ethernet) compatible. Consult factory for details. <sup>13</sup> Available with 120V only.	<b>RD1</b> - 1% 0-10V <b>RELV</b> <sup>15</sup> - ELV 120V <b>RTRI</b> <sup>15</sup> - TRIAC 120V <b>RLDE1</b> <sup>16</sup> - Lutron Hi-Lume 1% Eco  <b>RDA</b> <sup>16</sup> - DALI <b>RELD1</b> - eldoLED 1% ECOdrive 0-10V <b>RELD0</b> - eldoLED 0.1% SOLOdrive 0-10V <b>+EB</b> <sup>17</sup> - Emergency battery  <sup>14</sup> Remote driver boxes (RDB) are provided. Multiple RDBs may be required. <sup>15</sup> Available with 120V only. <sup>16</sup> On-site commissioning is required. <sup>17</sup> To specify, add +EB to the selected dimming option, e.g. RD1+EB.
<b>14W</b> <sup>9</sup> - 14 W output, up to 950 lm <b>18W</b> <sup>9</sup> - 18 W output, up to 1205 lm	<b>14W</b> <sup>9</sup> - 14 W output, up to 855 lm <b>18W</b> <sup>9</sup> - 18 W output, up to 1205 lm	<b>14W</b> <sup>9</sup> - 14 W output, up to 760 lm <b>18W</b> <sup>9</sup> - 18 W output, up to 1050 lm	<b>SD1</b> - Single 0-10V input <b>SELV</b> <sup>13</sup> - ELV 120V <b>STRI</b> <sup>13</sup> - TRIAC 120V	<b>RSD1</b> - Single 0-10V input <b>RSELV</b> <sup>15</sup> - ELV 120V <b>RSTRI</b> <sup>15</sup> - TRIAC 120V

ACCESSORIES * <small>See page 6 for details</small>	TRIM STYLE <small>Specify same as Housing</small>	LENS * <small>See page 6 for details</small>	BAFFLE FINISH	TRIM FLANGE FINISH <small>Specify NA for Bevel Trimless &amp; Wall Wash Trimless</small>	OPTION <small>Specify NA for Wall Wash</small>
<b>At light element</b> <sup>18,19</sup> (choose up to 2 options for SW/FS and 1 option for SOLA) Specify NA for Wall Wash  <b>LSDL</b> - Soft diffused lens, Solite <b>LFDL</b> - Frosted diffused lens <b>LS</b> - Linear spread <b>HEX</b> <sup>20</sup> - Hex louver <b>NA</b> - None  <sup>18</sup> Separate codes with a "+" if more than one is specified, e.g. LSDL+LS. <sup>19</sup> LSDL and LFDL cannot be combined. LS and HEX cannot be combined. <sup>20</sup> Not available with 80°/90° beam options.	<b>TRM</b> - Flanged trim <b>TLMP</b> - Trimless drywall mudplate <b>TLMW</b> - Trimless millwork	<b>At baffle</b> (choose 1 option) Specify WW for Wall Wash  <b>SDL</b> - Soft diffused lens, Solite <b>FDL</b> - Frosted diffused lens <b>CL</b> - Clear lens <b>NOL</b> - No lens <b>WW</b> - Wall wash diffuser	<b>FTMW</b> - Matte white <b>FTMB</b> - Matte black <b>FSPC</b> - Satin silver <b>FSSPC</b> - Matte silver <b>FCHP</b> - Champagne <b>FDBZ</b> - Dark bronze <b>FPF</b> - Primer finish <b>CF#</b> - Custom finish, specify RAL# <b>NA</b> - Not applicable	<b>FTMW</b> - Matte white <b>FTMB</b> - Matte black <b>FSPC</b> - Satin silver <b>FSSPC</b> - Matte silver <b>FCHP</b> - Champagne <b>FDBZ</b> - Dark bronze <b>FPF</b> - Primer finish <b>CF#</b> - Custom finish, specify RAL# <b>NA</b> - Not applicable	<b>WET</b> <sup>21</sup> - Wet location <b>NA</b> - None  <sup>21</sup> Must be specified with the bevel (AE3MSRB or AE3MSRAB), flanged trim (TRM), and either SDL, FDL, or CL lens options.

\* **LSDL or LFDL at light element cannot be combined with SDL or FDL at baffle.**  
[www.lumenwerx.com](http://www.lumenwerx.com)  
 T (514) 225-4304  
 © Lumenwerx, ULC. All rights reserved.



Lumenwerx reserves the right to modify product specifications without notification.  
 AERA3-MULTI-APERTURE-SQUARE-SPEC-REV7 February 11, 2026

# AERA 3" MULTI-APERTURE

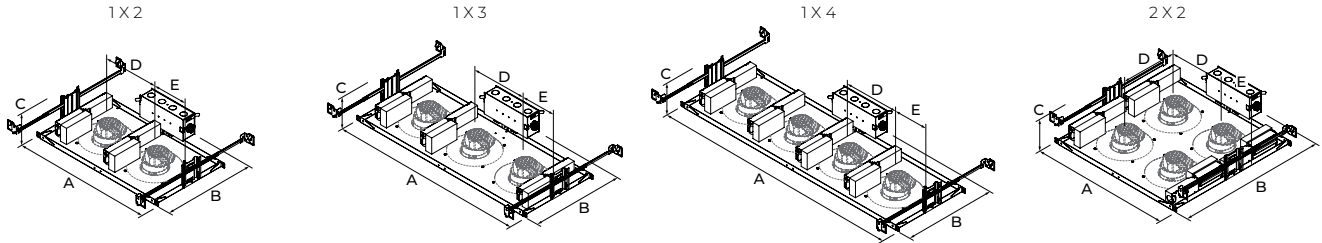


SQUARE RECESSED  
NEW CONSTRUCTION

## Housing

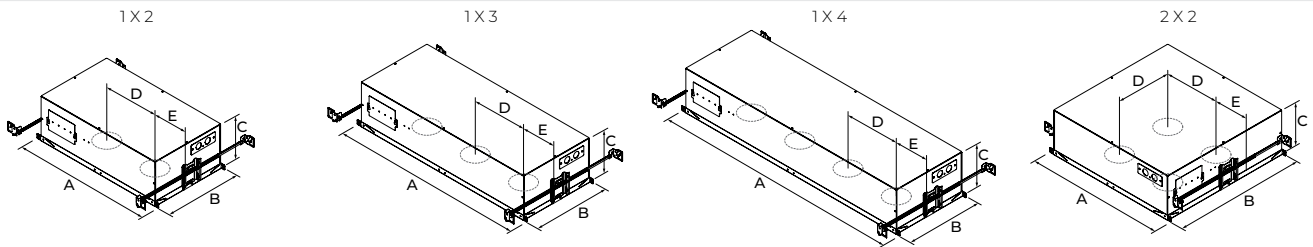
### INSTALLATION TYPES

#### OF - Open Frame Type Non-IC



A	20 3/16"	28 3/16"	36 3/16"	20 3/16"
B		13 1/4"		21 1/4"
C	6"			
D	8" (center-to-center spacing)			
E	5 1/2" (center-to-end spacing)			

#### IC - Type-IC / CP - Chicago Plenum Type-IC (CCEA)

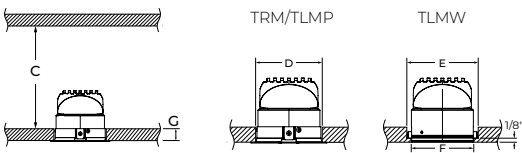


A	20 3/16"	28 3/16"	36 3/16"	20 3/16"
B		11"		19"
C	6 7/16"			
D	8" (center-to-center spacing)			
E	5 1/2" (center-to-end spacing)			

- For OF, IC, and CP installation types with remote dimming, a remote driver box is provided.

- Clearance between sides of luminaire and parts of building must be 1/2" minimum; clearance to insulating materials to be 3" minimum, unless luminaires are IC rated.

### PLENUM CLEARANCE & CUT-OUT DIMENSIONS



PLENUM CLEARANCE HEIGHT			
REMOTE & INTEGRAL			
	OF	IC	CP
C	6"	6 7/16"	
CUT-OUT DIMENSIONS			
D	TRM/TLMP	3 1/2" x 3 1/2"	
E	TLMW	3 1/2" x 3 1/2"	
F		3 1/16" x 3 1/16" with 1/8" lip	
MAXIMUM CEILING THICKNESS			
		RECESSED RECESSED WW	RECESSED ADJ.
G	TRM/ TLMP	1 3/8"	1 1/2"
	TLMW	5/8"	

www.lumenwerx.com  
T (514) 225-4304

© Lumenwerx, ULC. All rights reserved.



Lumenwerx reserves the right to modify  
product specifications without notification.

AERA3-MULTI-APERTURE-SQUARE-SPEC-REV7 February 11, 2026

# AERA 3" MULTI-APERTURE

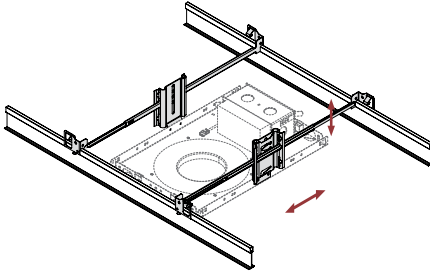


SQUARE RECESSED  
NEW CONSTRUCTION

## Housing

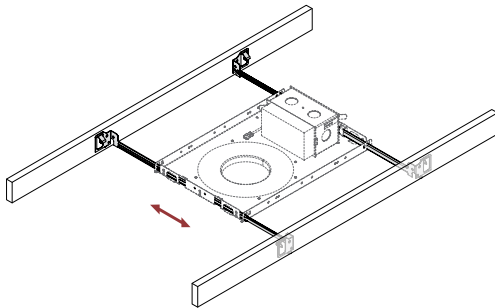
### MOUNTING OPTIONS

#### ASB - Adjustable Standard Bar Hangers



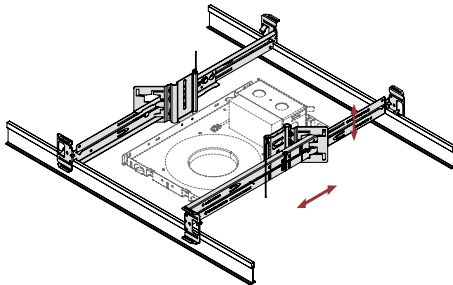
Adjustable Standard Bar hangers can be used in both commercial and residential applications and are adjustable to various heights in both Grid Ceiling and Drywall mounting. ASB hangers are less rigid and versatile than ACB hangers.

#### FMB - Flush Mount Bars



Flush Mount Bars are best used in residential applications, fitting snug to the surface and suitable for Wood, Metal, and Drywall mounting. The flush mounted bars are static and can't be adjusted.

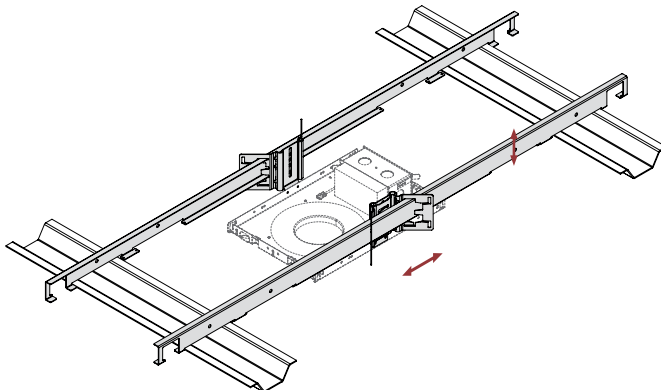
#### ACB - Adjustable Commercial Bar Hangers



Adjustable Commercial Bar hangers can be used in both commercial and residential applications and are by far the most versatile mounting bar we offer with its adjustability to various heights. ACB hangers are suitable for Grid Ceiling, Drywall, Metal, Wood and Frame mounting.

- Extremely rigid
- Fits into C-Channel notches in a Butterfly Bracket

#### AHC - Adjustable Hat Channel Bars



Adjustable Hat Channel bars can be used in both commercial and residential applications and come with a butterfly clip to adjust to various heights. AHC bars can be hung downward by 90 degrees in vertical position, and once wired, can be shifted onto the horizontal mounting plane. AHC bars are suitable for both Drywall and wood ceiling applications.

# AERA 3" MULTI-APERTURE

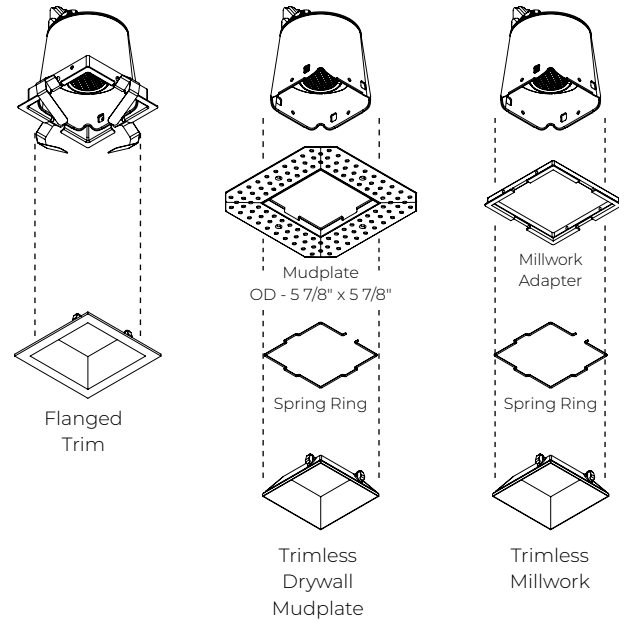
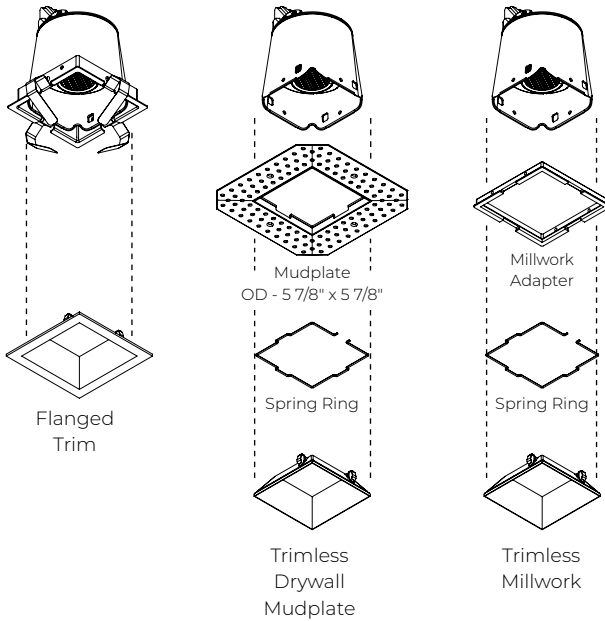


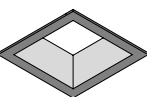
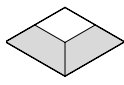
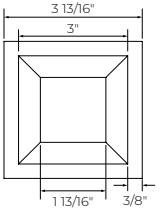
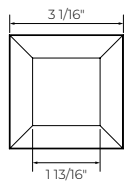
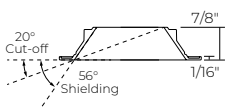
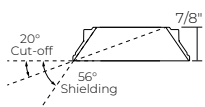
## SQUARE RECESSED NEW CONSTRUCTION

### Light & Baffle

#### RECESSED

#### RECESSED ADJUSTABLE



Bevel	
<p><b>TRM</b> Flanged Trim</p> 	<p><b>TLMP/TLMW</b> Trimless Drywall Mudplate /Trimless Millwork</p> 
<p>■ Baffle finish ■ Trim flange finish</p>	
	
	

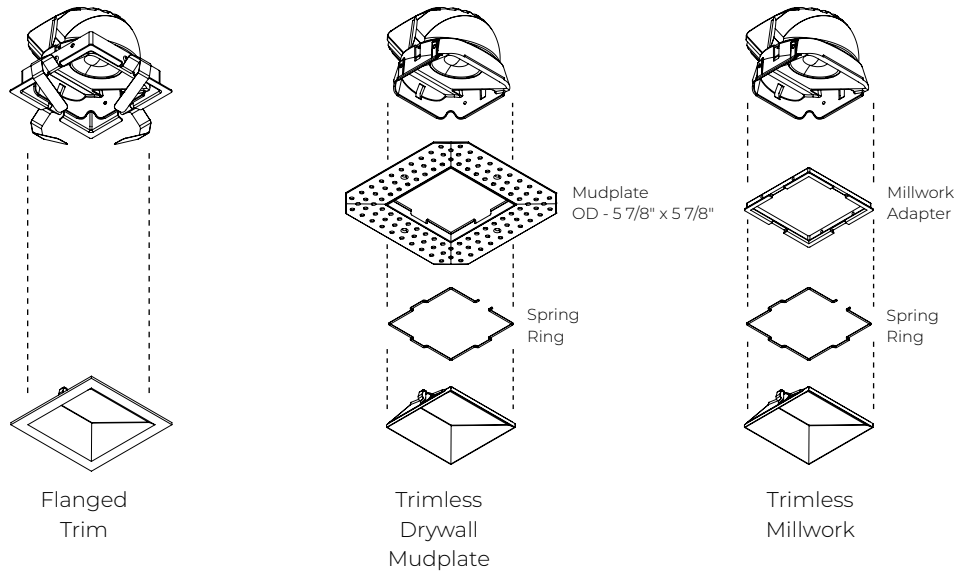
# AERA 3" MULTI-APERTURE



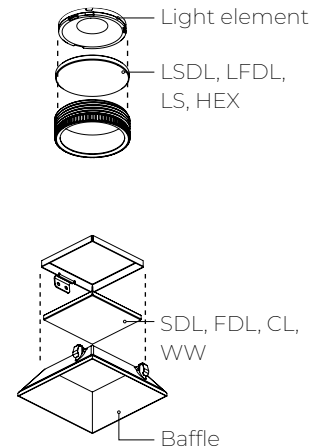
SQUARE RECESSED  
NEW CONSTRUCTION

Light & Baffle

## RECESSED WALL WASH



## LENS AND ACCESSORIES



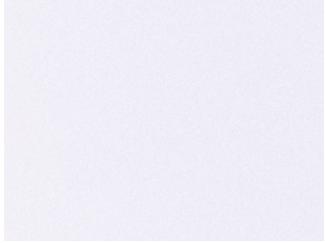
Wall Wash	
TRM Flanged Trim	TLMP/TLMW Trimless Drywall Mudplate /Trimless Millwork
<p>■ Baffle finish</p> <p>■ Trim flange finish</p>	

# AERA 3" MULTI-APERTURE



SQUARE RECESSED  
NEW CONSTRUCTION

## Finishes



**FTMW** - Matte white



**FTMB** - Matte black



**FSPC** - Satin silver



**FSSPC** - Matte silver



**FCHP** - Champagne



**FDBZ** - Dark bronze



**FPF** - Primer finish

# AERA 3" MULTI-APERTURE

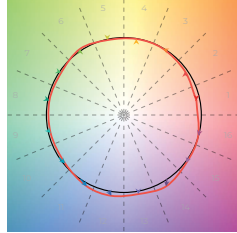


SQUARE RECESSED  
NEW CONSTRUCTION

## Color Quality

### COLOR QUALITY - 3500K

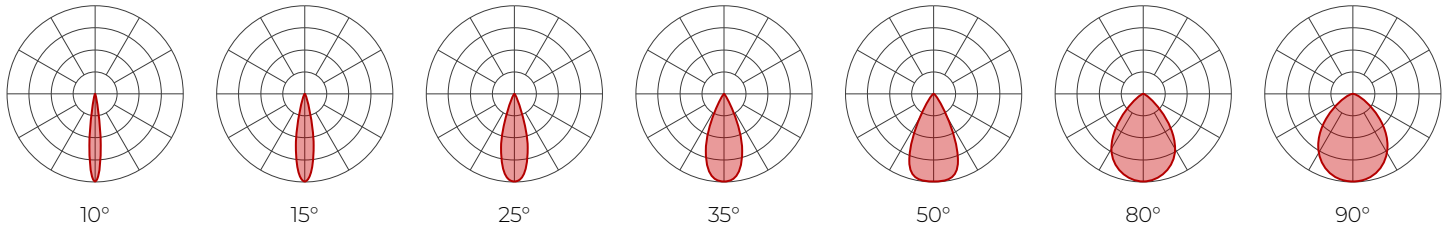
TM-30 R <sub>r</sub>	90
TM-30 R <sub>g</sub>	100
CRI	90+
R9	> 50



## Photometrics

### RECESSED - STATIC WHITE

Values calculated based on 3500K, bevel baffle, and SDL lens option. All values are per light.



### Delivered lumens (LM)

CRI	80+ CRI							90+ CRI							95+ CRI						
	BEAM	10°	15°	25°	35°	50°	80°	90°	10°	15°	25°	35°	50°	80°	90°	10°	15°	25°	35°	50°	80°
10 W	951	1056	1127	1132	1003	902	902	888	987	1053	1058	937	843	843	684	760	811	815	721	649	649
14 W	1298	1441	1539	1545	1370	1233	1233	1213	1347	1438	1444	1280	1152	1152	934	1037	1107	1112	986	887	887
20 W	1792	1991	2125	2135	1892	1703	1703	1675	1861	1986	1995	1768	1591	1591	1289	1433	1529	1536	1361	1225	1225

### Efficacy (LM/W)

CRI	80+ CRI							90+ CRI							95+ CRI						
	BEAM	10°	15°	25°	35°	50°	80°	90°	10°	15°	25°	35°	50°	80°	90°	10°	15°	25°	35°	50°	80°
10 W	95	106	113	113	100	90	90	89	99	105	106	94	84	84	68	76	81	81	72	65	65
14 W	93	103	110	110	98	88	88	87	96	103	103	91	82	82	67	74	79	79	70	63	63
20 W	90	100	106	107	95	85	85	84	93	99	100	88	80	80	64	72	76	77	68	61	61

### MULTIPLIERS

Please follow the multiplier tables to ensure correct lumen value. Beams, CCT, baffle styles, baffle colors, lensing and accessories will change the lumen value.

CCT	BAFFLE STYLE AND COLOR	LENS * (At baffle)	ACCESSORIES * (At light element)
2200K	Flanged trim	SDL - Soft diffused lens, Solite	LSDL - Soft diffused lens, Solite
2400K	Trimless	FDL - Frosted lens	LFDL - Frosted lens
2700K	Bevel	CL - Clear lens	LS - Linear spread
3000K	Wet bevel	NOL - No lens	HEX - Hex louver
3500K	White		
4000K	Black		
5000K			

\* When more than one lens or accessory is specified, multiply together the value of each lens and/or accessory.  
e.g. NOL + LSDL + LS = 1.1 x 1 x 0.84 = 0.924

For SOLA, please consult factory.



# AERA 3" MULTI-APERTURE

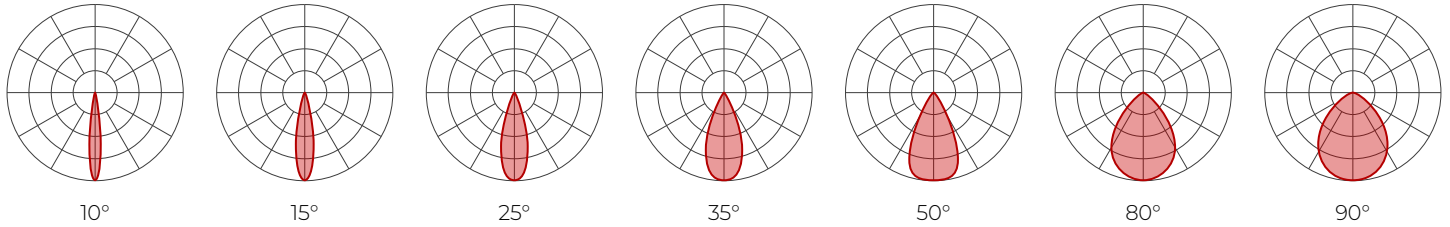


## SQUARE RECESSED NEW CONSTRUCTION

### Photometrics

#### RECESSED ADJUSTABLE - STATIC WHITE

Values calculated based on 3500K, bevel baffle, and SDL lens option. All values are per light.



#### Delivered lumens (LM)

BEAM	80+ CRI							90+ CRI							95+ CRI						
	10°	15°	25°	35°	50°	80°	90°	10°	15°	25°	35°	50°	80°	90°	10°	15°	25°	35°	50°	80°	90°
10 W	860	956	1020	1024	907	817	817	804	893	953	957	848	763	763	619	688	734	737	653	588	588
14 W	1136	1262	1347	1352	1198	1079	1079	1061	1179	1259	1264	1120	1008	1008	817	908	969	973	862	776	776
20 W	1613	1792	1913	1922	1703	1533	1533	1508	1675	1787	1796	1591	1432	1432	1161	1290	1376	1382	1225	1103	1103

#### Efficacy (LM/W)

BEAM	80+ CRI							90+ CRI							95+ CRI						
	10°	15°	25°	35°	50°	80°	90°	10°	15°	25°	35°	50°	80°	90°	10°	15°	25°	35°	50°	80°	90°
10 W	86	96	102	102	91	82	82	80	89	95	96	85	76	76	62	69	73	74	65	59	59
14 W	81	90	96	97	86	77	77	76	84	90	90	80	72	72	58	65	69	70	62	55	55
20 W	81	90	96	96	85	77	77	75	84	89	90	80	72	72	58	64	69	69	61	55	55

#### MULTIPLIERS

Please follow the multiplier tables to ensure correct lumen value. Beams, CCT, baffle styles, baffle colors, lensing and accessories will change the lumen value.

CCT		BAFFLE STYLE AND COLOR		LENS * (At baffle)		ACCESSORIES * (At light element)	
2200K	0.80	Flanged trim	1	SDL - Soft diffused lens, Solite	1	LSDL - Soft diffused lens, Solite	1
2400K	0.87	Trimless	1	FDL - Frosted lens	0.8	LFDL - Frosted lens	0.8
2700K	0.94	Bevel	1	CL - Clear lens	1.1	LS - Linear spread	0.84
3000K	0.98	Wet bevel	1	NOL - No lens	1.1	HEX - Hex louver	0.86
3500K	1	White	1	* When more than one lens or accessory is specified, multiply together the value of each lens and/or accessory. e.g. NOL + LSDL + LS = 1.1 x 1 x 0.84 = 0.924			
4000K	1.05	Black	1				
5000K	1.05						

For SOLA, please consult factory.

# AERA 3" MULTI-APERTURE

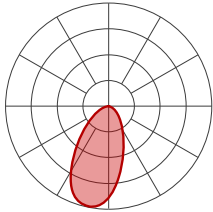


## SQUARE RECESSED NEW CONSTRUCTION

### Photometrics

#### RECESSED WALL WASH

Values calculated with white wall wash baffle, and based on 3500K for static white. All values are per light.



#### STATIC WHITE

CRI	80+ CRI		90+ CRI		95+ CRI	
	lm	lm/W	lm	lm/W	lm	lm/W
10 W	601	60	562	56	433	43
14 W	822	59	768	55	591	42
20 W	1135	57	1061	53	817	41

#### MULTIPLIERS

Please follow the multiplier tables to ensure correct lumen value. CCT and baffle colors will change the lumen value.

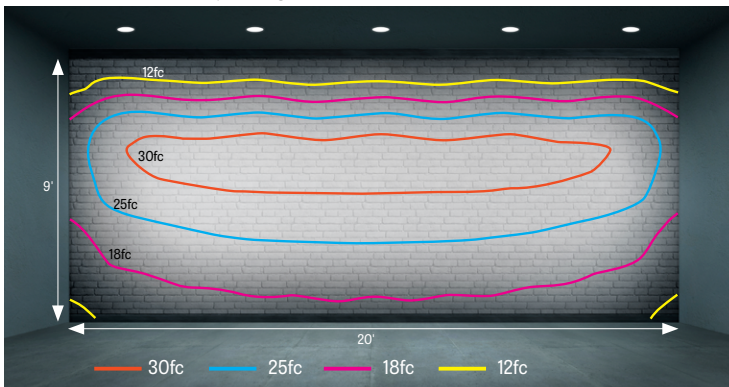
CCT		BAFFLE STYLE AND COLOR	
STATIC WHITE		Flanged trim	1
2200K	0.80	Trimless	1
2400K	0.87	White	1
2700K	0.94	Black	1
3000K	0.98		
3500K	1		
4000K	1.05		
5000K	1.05		

For SOLA, please consult factory.

#### UNIFORMITY

Values calculated based on 3500K and white wall wash baffle.

24" from Wall - 36" Spacing



#### Foot-candles

FC ON WALL	24" FROM WALL - 24" SPACING			24" FROM WALL - 36" SPACING			24" FROM WALL - 48" SPACING		
	80+ CRI	90+ CRI	95+ CRI	80+ CRI	90+ CRI	95+ CRI	80+ CRI	90+ CRI	95+ CRI
ABOVE FINISHED FLOOR	9'	10	10	7	6	5	5	5	4
	8'	43	40	27	25	19	21	19	15
	7'	57	54	37	35	27	28	27	20
	6'	49	46	32	30	23	25	23	18
	5'	37	34	25	23	18	19	17	13
	4'	28	26	19	18	14	14	13	10
	3'	22	21	15	14	11	11	11	8
	2'	18	17	12	12	9	9	9	7
	1'	16	15	11	11	10	8	8	6



# AERA 3" MULTI-APERTURE

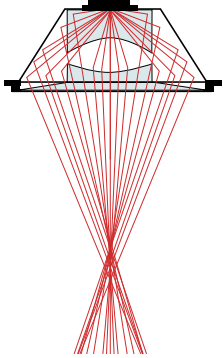


## SQUARE RECESSED NEW CONSTRUCTION

### Technical Specifications

#### OPTIC

XPoint™ Refraction Technology optics provide precise optical control in a remarkably compact form. Micro optical paths from the chip on board converge and then disperse in precise beam angles, resulting in a crisp and exacting light quality.



#### LIGHT SOURCE

##### Static white

Compact COB (Chip-On-Board) LED module, available in 2200K, 2400K, 2700K, 3000K, 3500K, 4000K, and 5000K with a choice of 80+ CRI, 90+ CRI, or 95+ CRI, with elevated R9 value for 90+ CRI and above. Color consistency is maintained to within 2 SDCM. All LEDs have been tested in accordance with IESNA LM-80-08 and the results have shown L80 lumen maintenance greater than 60,000 hours. Absolute product photometry is measured and presented in accordance with IESNA LM-79, unless otherwise indicated.

##### Full spectrum

The full spectrum LED option offers improved color particularly in the cyan region that is beneficial in both healthcare and circadian lighting strategies. The cyan region in full spectrum LED is richer at the 480 nm range.

##### Chromawerx SOLA

Chromawerx SOLA is single-channel control that dims output while warming the color temperature in a pre-determined relationship. Two color temperature range options are offered: 3000K to 1800K, and 2700K to 1800K. A simple analog control adjusts a specially populated LED array to emulate the effect of dimming a filament source.

#### ELECTRICAL

Unless otherwise specified, dimming down to 1%. At maximum driver load: efficiency > 84%, PF > 0.9, THD < 20%.

ELV and TRIAC dimming performance (including minimum dimming percentage) subject to dimmer selection.

**Integral:** 0-10V, ELV, TRIAC

**Remote:** 0-10V, ELV, TRIAC, Lutron Hi-Lume 1% EcoSystem, DALI, eldoLED 0.1% SOLOdrive 0-10V, eldoLED 1% ECOdrive 0-10V

**Emergency battery options:** Remotely-installed, long-life, high-temperature, maintenance-free, Bodine Lithium-Ion battery pack with self-test functionality, test switch and charge indicator. IOTA and Fulham options available upon request. Minimum of 90 minutes operation, and recharge time of 24 hours. For fixtures less than 10 W, the battery provides 6 W of emergency light output. For fixtures 10 W and over, the battery provides 10 W.

#### PoE

Depending on the PoE manufacturer selected, Lumenwerx will install the node in factory as either integral to the luminaire or as a remote module. Factory programming of the PoE node may or may not enable the following functionalities: lumen package, DUO (tunable white), QUADRO (RGBW), emergency battery backup, and sensor integration. These must be addressed and evaluated on a case-by-case basis.

#### CONSTRUCTION

##### Housing

For new construction, 20 gauge powder coated steel. Open frame, type-IC, or Chicago Plenum (CCEA) rated. 18 gauge galvanized steel junction box with ½" trade size knockouts. Adjustable standard, flush mount, adjustable commercial, and adjustable hat channel bar hangers are available as mounting options.

##### Light element

**Adjustability:** Hot aiming, 355° rotation and 35° vertical tilt with shift to ensure beam stays centered (Recessed Adjustable only).

**LED module:** Integral COB module. 90+ CRI and 2 SDCM, Standard with options of 80+ CRI, or 95+ CRI. L80 > 60,000 hours.

**XPoint™ Refraction Technology optic:** Micro optical paths from the chip on board converge and then disperse in precise beam angles, resulting in a crisp and exacting light quality.

**Thermal management:** Cold-forged aluminum heat sink to maximize thermal dissipation.

**Baffle:** Die-cast aluminum mounted with retaining spring clips

**Trim style:** Trimmed and trimless with mudplate or millwork adapter

**Finish:** Matte white, matte black, satin silver, matte silver, champagne, dark bronze, and primer finish. Custom colors also available (provide RAL #). For the primer finish option, fixture must be turned off and the lens masked before applying paint.

# AERA 3" MULTI-APERTURE



## SQUARE RECESSED NEW CONSTRUCTION

### WEIGHT

	Open frame	Type-IC / Chicago Plenum
<b>1 X 2</b>	9.5 lbs - 4.3 kg	12.5 lbs - 5.7 kg
<b>1 X 3</b>	13.5 lbs - 6.1 kg	15.5 lbs - 7.0 kg
<b>1 X 4</b>	17.5 lbs - 7.9 kg	19.5 lbs - 8.8 kg
<b>2 X 2</b>	19.5 lbs - 8.8 kg	21.5 lbs - 9.8 kg

### LENS AND ACCESSORIES

#### Recessed / Recessed adjustable



Soft diffused lens, Solite



Frosted diffused lens



Clear lens



Linear spread



Hex louver

#### Recessed wall wash



Wall wash

### ENVIRONMENT

Ambient temperature at fixture location shall be within 0°C/32°F - 25°C/77°F, indoor dry or damp as well as outdoor damp use (canopies or marquees).

### CERTIFICATIONS

**ETL:** Rated for indoor dry/damp locations. Conforms to UL Standard 1598 and certified to CAN/CSA Standard C22.2 No. 250.0.

**IP44:** IP44 rated for bathrooms, showers, outdoor canopies, and marquees when specified with the wet location (WET) option.

**Chicago Plenum:** City of Chicago approved (CCEA) when specified with CP installation type option.

**IC rated:** Suitable for direct contact with insulation when specified with IC or CP installation type options.

**Declare:** [LBC Red List Approved](#)

### WARRANTY

Lumenwerx provides a five-year limited warranty on electrical and mechanical performance of the luminaires, including the LED boards, drivers, and auxiliary electronics. Lumenwerx will repair or replace defective luminaires or components at our discretion, provided they have been installed and operated in accordance with our specifications. Other limitations apply, please refer to the full warranty on our website.