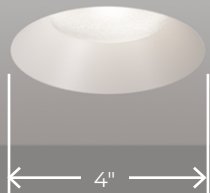


# AERA 4" DOWNLIGHT

ROUND RECESSED ADJUSTABLE  
NEW CONSTRUCTION & REMODEL



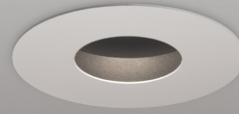
Bevel Trimless  
Drywall Mudplate



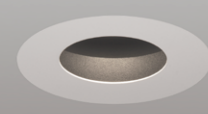
Bevel  
Flanged Trim



Pinhole  
Flanged Trim



Pinhole Trimless  
Drywall Mudplate



Aera recessed downlights are true to size, encased in minimalist housing, and suitable additions to any interior space where outstanding optical performance, maximal eye comfort, and/or an industry-leading wall wash are required.

## Ceiling Types



Drywall



Millwork



Wood Slat  
Consult factory



Acoustic Tile

## Installation Types

New Construction (Type Non-IC, Type-IC, CCEA)  
Remodel (Type Non-IC)

## Plenum Clearance

As low  
as 6"

## Beam Angles



Low UGR < 10 in 10°, 15°, 25°, 35°, and 50° beams  
Up to 355° rotation and 35° tilt

## Performance

LUMEN OUTPUT <sup>1</sup>	WATTS	EFFICACY
1298 lm	14 W	93 lm/W
1861 lm	20 W	93 lm/W
2498 lm	28 W	89 lm/W

<sup>1</sup> Lumen packages are assuming 3500K, 80+ CRI, 35° beam, with SDL lens option.

## Light Source

Static White  
Full Spectrum Static White  
SOLA - Dim-to-Warm  
DUO - Tunable White



## COB

2 Step Color Binning  
Up to 95+ CRI

## Drivers / Protocols

1%, 0.1% Dimming Available  
0-10V, TRIAC, ELV, Lutron EcoSystem, DALI, DMX  
Emergency Battery (optional)



Smart / Wireless Compatible

## Aera Family (Refer to other spec sheets) Downlight



2" / 3" / 4"  
Round / Square  
Recessed Adjustable



2" / 3" / 4"  
Round / Square  
Recessed



2" / 3" / 4"  
Round / Square  
Recessed Wall Wash

## Multi-aperture



2" / 3" / 4"  
Round / Square  
Recessed Adjustable



2" / 3" / 4"  
Round / Square  
Recessed



2" / 3" / 4"  
Round / Square  
Recessed Wall Wash

## Cylinder



2" / 3" / 4" / 5" / 6"  
4" Seal  
Pendant  
Pendant Asymmetric  
Pendant Wall Wash



2" / 3" / 4" / 5" / 6"  
4" Seal  
Wall  
Wall Asymmetric  
Surface Asymmetric  
Surface Wall Wash



2" / 3" / 4" / 5" / 6"  
4" Seal  
Surface  
Surface Asymmetric  
Surface Wall Wash

www.lumenwerx.com  
T (514) 225-4304

© Lumenwerx, ULC. All rights reserved.



Lumenwerx reserves the right to modify  
product specifications without notification.

AERA4-DOWNLIGHT-ROUND-RECESSED-ADJUSTABLE-SPEC-REV8 January 22, 2026

# AERA 4" DOWNLIGHT

ROUND RECESSED ADJUSTABLE  
NEW CONSTRUCTION & REMODEL



Project: \_\_\_\_\_

Type: \_\_\_\_\_

## Order Guide

### 1 - Housing (Example: AE4RRA-TRM-SW-OF-ASB-120V-14W-D1-NA)



For a Title 24 JA8 compliant fixture, see page 3.

LUMINAIRE ID <sup>1</sup>	TRIM STYLE	LIGHT SOURCE	INSTALLATION TYPE	MOUNTING OPTION <sup>4</sup>
<b>AE4RRA</b>				
<b>AE4RRA</b> - Aera 4" Round Recessed Adjustable  <sup>1</sup> Recessed (fixed) and Recessed Wall Wash also available. Consult other spec sheets.	<b>TRM</b> - Flanged trim <b>TLMP</b> - Trimless drywall mudplate <b>TLMW</b> - Trimless millwork  <sup>2</sup> For remodel (RM) installation type, TLMW adapter must be installed from above the ceiling or before ceiling is installed.	<b>SW</b> - Static white <b>FS</b> - Full spectrum static white  <b>SOLA</b> - Dim-to-warm single channel control <b>DUO</b> - Tunable white 2-channel control	<b>OF</b> - Open Frame Type Non-IC <b>IC</b> <sup>3</sup> - Type-IC <b>RM</b> - Remodel Type Non-IC <b>CP</b> <sup>3</sup> - Chicago Plenum Type-IC (CCEA) <b>AT</b> <sup>3</sup> - Airtight Type-IC  <sup>3</sup> Only available with 20 W or less.	<b>ASB</b> <sup>5</sup> - Adjustable standard bar hangers <b>FMB</b> <sup>5</sup> - Flush mount bars  <sup>4</sup> See page 5 for more details. <sup>5</sup> Not available with RM installation type.
<b>VOLTAGE</b>	<b>WATTAGE</b> <sup>7</sup>	<b>DIMMING</b> <sup>10</sup>	<b>OPTION</b> <sup>21</sup>	
			<b>NA</b>	
<b>120V</b> - 120V <b>277V</b> - 277V <b>UNV</b> - 120V-277V <b>347V</b> <sup>6</sup> - 347V  <sup>6</sup> Available with RD1 driver only. Please consult factory.	<b>14W</b> - 14 W output, up to 1348 lm <b>20W</b> - 20 W output, up to 1932 lm <b>28W</b> <sup>8,9</sup> - 28 W output, up to 2594 lm  <sup>7</sup> Lumen outputs are reduced with full spectrum, consult factory. <sup>8</sup> Not available with IC/CP/AT. <sup>9</sup> Not available with full spectrum.	<b>INTEGRAL</b> <b>D1</b> - 1% 0-10V <b>ELV</b> <sup>11</sup> - ELV 120V <b>TRI</b> <sup>11</sup> - TRIAC 120V <b>LDEI</b> <sup>12,13</sup> - Lutron Hi-lume 1% Eco <b>DA</b> <sup>12,13</sup> - DALI <b>ELDI</b> <sup>12</sup> - eldoLED 1% ECOdrive 0-10V <b>ELDO</b> <sup>12</sup> - eldoLED 0.1% SOLOdrive 0-10V <b>PEQO</b> <sup>13,14,15</sup> - Lutron Hi-lume Premier 0.1% EcoSystem <b>DEB</b> <sup>15</sup> - 0-10V with onboard emergency battery backup  <sup>10</sup> PoE (Power-over-Ethernet) compatible. Consult factory for details. <sup>11</sup> Available with 120V only. <sup>12</sup> Not available with RM installation type. <sup>13</sup> On-site commissioning is required. <sup>14</sup> Not available with 28 W output. <sup>15</sup> Available with OF housing only.	<b>REMOTE</b> <sup>16</sup> <b>RD1</b> - 1% 0-10V <b>RELV</b> <sup>17</sup> - ELV 120V <b>RTRI</b> <sup>17</sup> - TRIAC 120V <b>RLDEI</b> <sup>18</sup> - Lutron Hi-lume 1% Eco <b>RDA</b> <sup>18</sup> - DALI <b>RELDI</b> <sup>12</sup> - eldoLED 1% ECOdrive 0-10V <b>RELD0</b> - eldoLED 0.1% SOLOdrive 0-10V <b>RPEQO</b> <sup>18,19</sup> - Lutron Hi-lume Premier 0.1% EcoSystem <b>+EB</b> <sup>20</sup> - Emergency battery  <sup>16</sup> A remote driver box is provided. <sup>17</sup> Available with 120V only. <sup>18</sup> On-site commissioning is required. <sup>19</sup> Not available with 28 W output. <sup>20</sup> To specify, add +EB to the selected dimming option, e.g. RD1+EB.	<b>NA</b> - None  <sup>21</sup> To specify a JA8 compliant fixture, see page 3.
	<b>SOLA</b> <sup>8</sup> <b>14W</b> - 14 W output, up to 843 lm <b>18W</b> - 18 W output, up to 1085 lm <b>28W</b> - 28 W output, up to 1945 lm  <b>DUO</b> <sup>8</sup> <b>14W</b> - 14 W output, up to 905 lm <b>19W</b> - 19 W output, up to 1228 lm <b>28W</b> - 28 W output, up to 2055 lm	<b>SOLA</b> <b>SDI</b> - Single 0-10V input <b>SELV</b> <sup>11</sup> - ELV 120V <b>STRI</b> <sup>11</sup> - TRIAC 120V  <b>DUO</b> <sup>12</sup> <b>DMX</b> <sup>13</sup> - DMX <b>DDA</b> <sup>13</sup> - DALI DT6 <b>DDA8</b> <sup>13</sup> - DALI DT8 <b>DDI</b> - Dual 0-10V input for CCT/intensity <b>LD2</b> <sup>13</sup> - Lutron DALI-2 digital	<b>SOLA</b> <b>RSDI</b> - Single 0-10V input <b>RSELV</b> <sup>17</sup> - ELV 120V <b>RSTRI</b> <sup>17</sup> - TRIAC 120V  <b>DUO</b> <b>RDMX</b> <sup>18</sup> - DMX <b>RDDA</b> <sup>18</sup> - DALI DT6 <b>RDDA8</b> <sup>18</sup> - DALI DT8 <b>RDDI</b> - Dual 0-10V input for CCT/intensity <b>RLD2</b> <sup>18</sup> - Lutron DALI-2 digital <b>+EB</b> <sup>20</sup> - Emergency battery	

### 2 - Light & Baffle (Example: AE4RRAB-SW-14W-15DEG-2STP-90CRI-27K-LSDL+LS-TRM-CL-FTMW-FTMW-NA)

LUMINAIRE ID	LIGHT SOURCE Specify same as Housing	WATTAGE <sup>22</sup> Specify same as Housing	BEAM	COLOR QUALITY	CRI	COLOR TEMP.
<b>AE4RRAB</b> - Aera 4" Round Recessed Adjustable Bevel <b>AE4RRAP</b> - Aera 4" Round Recessed Adjustable Pinhole	<b>SW</b> - Static white <b>FS</b> - Full spectrum static white  <b>SOLA</b> - Dim-to-warm single channel control <b>DUO</b> - Tunable white 2-channel control	<b>14W</b> - 14 W output, up to 1348 lm <b>20W</b> - 20 W output, up to 1932 lm <b>28W</b> <sup>23,24</sup> - 28 W output, up to 2594 lm  <sup>22</sup> Lumen outputs are reduced with full spectrum, consult factory. <sup>23</sup> Not available with IC/CP/AT. <sup>24</sup> Not available with full spectrum.	<b>10DEG</b> - 10° Very narrow spot <b>15DEG</b> - 15° Narrow spot <b>25DEG</b> - 25° Spot <b>35DEG</b> - 35° Narrow flood <b>50DEG</b> - 50° Wide flood <b>80DEG</b> - 80° Very wide flood <b>90DEG</b> - 90° Open flood  <b>25DEG</b> - 25° Spot <b>35DEG</b> - 35° Narrow flood <b>60DEG</b> - 60° Wide flood <b>80DEG</b> - 80° Very wide flood <b>90DEG</b> - 90° Open flood	<b>2STP</b> <sup>25</sup> - 2 Step MacAdam Ellipse <b>3STP</b> - 3 Step MacAdam Ellipse  <sup>25</sup> Not available with full spectrum.	<b>80CRI</b> <sup>26</sup> - 80+ CRI <b>90CRI</b> <sup>26</sup> - 90+ CRI <b>95CRI</b> - 95+ CRI  <sup>26</sup> Not available with full spectrum.	<b>22K</b> <sup>27</sup> - 2200K <b>24K</b> <sup>27</sup> - 2400K <b>27K</b> - 2700K <b>30K</b> - 3000K <b>35K</b> - 3500K <b>40K</b> - 4000K <b>50K</b> <sup>28</sup> - 5000K  <sup>27</sup> Only available with 90+ CRI. <sup>28</sup> Not available with 95+ CRI.
<b>ACCESSORIES</b> <sup>*</sup> See page 6 for details	<b>TRIM STYLE</b> Specify same as Housing	<b>LENS</b> <sup>*</sup> See page 6 for details	<b>BAFFLE FINISH</b> Specify NA for Pinhole	<b>TRIM FLANGE FINISH</b> <sup>33</sup> Specify NA for Bevel Trimless	<b>OPTION</b> <sup>34</sup>	
<b>At light element</b> <sup>29,30</sup> (choose up to 2 options for SW/FS and 1 option for SOLA/DUO)  <b>LSDL</b> - Soft diffused lens, Solite <b>LFDL</b> - Frosted diffused lens <b>LS</b> - Linear spread <b>HEX</b> <sup>31</sup> - Hex louver <b>NA</b> - None  <sup>29</sup> Separate codes with a "+" if more than one is specified, e.g. LSDL+LS. <sup>30</sup> LSDL and LFDL cannot be combined. LS and HEX cannot be combined. <sup>31</sup> Not available with 80°/90° beam options.	<b>TRM</b> - Flanged trim <b>TLMP</b> - Trimless drywall mudplate <b>TLMW</b> <sup>32</sup> - Trimless millwork  <sup>32</sup> For remodel (RM) installation type, TLMW adapter must be installed from above the ceiling or before ceiling is installed.	<b>At baffle</b> (choose 1 option) Specify NOL for Pinhole  <b>SDL</b> - Soft diffused lens, Solite <b>FDL</b> - Frosted diffused lens <b>CL</b> - Clear lens <b>NOL</b> - No lens	<b>FTMW</b> - Matte white <b>FTMB</b> - Matte black <b>FSPC</b> - Satin silver <b>FSSPC</b> - Matte silver <b>FCHP</b> - Champagne <b>FDBZ</b> - Dark bronze <b>FPF</b> - Primer finish <b>CF#</b> - Custom finish, specify RAL# <b>NA</b> - Not applicable	<b>FTMW</b> - Matte white <b>FTMB</b> - Matte black <b>FSPC</b> - Satin silver <b>FSSPC</b> - Matte silver <b>FCHP</b> - Champagne <b>FDBZ</b> - Dark bronze <b>FPF</b> - Primer finish <b>CF#</b> - Custom finish, specify RAL# <b>NA</b> - Not applicable  <sup>33</sup> A trim flange finish option must be specified for pinhole. See page 6 for details.	<b>WET</b> <sup>35</sup> - Wet location <b>NA</b> - None  <sup>34</sup> To specify a JA8 compliant fixture, see page 3. <sup>35</sup> Must be specified with the bevel (AE4RRAB), flanged trim (TRM), and either SDL, FDL, or CL lens options.	

\* LSDL or LFDL at light element cannot be combined with SDL or FDL at baffle.  
[www.lumenwerx.com](http://www.lumenwerx.com)  
 T (514) 225-4304  
 © Lumenwerx, ULC. All rights reserved.



Lumenwerx reserves the right to modify product specifications without notification.  
 AERA4-DOWNLIGHT-ROUND-RECESSED-ADJUSTABLE-SPEC-REV8 January 22, 2026

# AERA 4" DOWNLIGHT



ROUND RECESSED ADJUSTABLE  
NEW CONSTRUCTION & REMODEL  
Title 24 JA8  
Order Guide

Project: \_\_\_\_\_  
Type: \_\_\_\_\_



## 1 - Housing (Example: AE4RRA-TRM-SW-AT-ASB-120V-14W-D1-JA8)

LUMINAIRE ID <sup>1</sup>	TRIM STYLE	LIGHT SOURCE	INSTALLATION TYPE	MOUNTING OPTION <sup>2</sup>
<b>AE4RRA</b>		<b>SW</b>	<b>AT</b>	
<b>AE4RRA</b> - Aera 4" Round Recessed Adjustable  <sup>1</sup> Recessed (fixed) and Recessed Wall Wash also available. Consult other spec sheets.	<b>TRM</b> - Flanged trim <b>TLMP</b> - Trimless drywall mudplate <b>TLMW</b> - Trimless millwork	<b>SW</b> - Static white	<b>AT</b> - Airtight Type-IC	<b>ASB</b> - Adjustable standard bar hangers <b>FMB</b> - Flush mount bars <b>ACB</b> - Adjustable commercial bar hangers <b>AHC</b> - Adjustable hat channel bars <b>NA</b> - None  <sup>2</sup> See page 5 for more details.

VOLTAGE	WATTAGE	DIMMING		OPTION
	<b>14W</b>			<b>JA8</b>
<b>120V</b> - 120V <b>277V</b> - 277V <b>UNV</b> - 120V-277V	14W - 14 W output, up to 1348 lm	<b>INTEGRAL</b>  <b>D1</b> - 1% 0-10V <b>ELV</b> <sup>3</sup> - ELV 120V <b>TRI</b> <sup>3</sup> - TRIAC 120V <b>LDE1</b> <sup>4</sup> - Lutron Hi-lume 1% Eco  <sup>3</sup> Available with 120V only. <sup>4</sup> On-site commissioning is required.	<b>REMOTE</b> <sup>5</sup>  <b>RDI</b> - 1% 0-10V <b>RELV</b> <sup>6</sup> - ELV 120V <b>RTRI</b> <sup>6</sup> - TRIAC 120V <b>RLDE1</b> <sup>7</sup> - Lutron Hi-lume 1% Eco  <sup>5</sup> A remote driver box is provided. <sup>6</sup> Available with 120V only. <sup>7</sup> On-site commissioning is required.	<b>JA8</b> - JA8 compliant

## 2 - Light & Baffle (Example: AE4RRAB-SW-14W-15DEG-2STP-90CRI-27K-NA-TRM-SDL-FTMW-FTMW-JA8+WET)

LUMINAIRE ID	LIGHT SOURCE Specify same as Housing	WATTAGE Specify same as Housing	BEAM	COLOR QUALITY	CRI	COLOR TEMP.
	<b>SW</b>	<b>14W</b>			<b>90CRI</b>	
<b>AE4RRAB</b> - Aera 4" Round Recessed Adjustable Bevel <b>AE4RRAP</b> - Aera 4" Round Recessed Adjustable Pinhole	<b>SW</b> - Static white	14W - 14 W output, up to 1348 lm	<b>15DEG</b> - 15° Narrow spot <b>25DEG</b> - 25° Spot <b>35DEG</b> - 35° Narrow flood <b>50DEG</b> - 50° Wide flood <b>80DEG</b> - 80° Very wide flood <b>90DEG</b> - 90° Open flood	<b>2STP</b> - 2 Step MacAdam Ellipse <b>3STP</b> - 3 Step MacAdam Ellipse	<b>90CRI</b> - 90+ CRI	<b>27K</b> - 2700K <b>30K</b> - 3000K <b>35K</b> - 3500K <b>40K</b> - 4000K

ACCESSORY *	TRIM STYLE Specify same as Housing	LENS *	BAFFLE FINISH Specify NA for Pinhole	TRIM FLANGE FINISH <sup>8</sup> Specify NA for Bevel Trimless	OPTIONS
See page 6 for details		See page 6 for details			<b>JA8</b>
<b>At light element</b>  <b>LSDL</b> - Soft diffused lens, Solite <b>LFDL</b> - Frosted diffused lens <b>NA</b> - None	<b>TRM</b> - Flanged trim <b>TLMP</b> - Trimless drywall mudplate <b>TLMW</b> - Trimless millwork	<b>At baffle</b> Specify NOL for Pinhole  <b>SDL</b> - Soft diffused lens, Solite <b>FDL</b> - Frosted diffused lens <b>CL</b> - Clear lens <b>NOL</b> - No lens	<b>FTMW</b> - Matte white <b>FTMB</b> - Matte black <b>FSPC</b> - Satin silver <b>FSSPC</b> - Matte silver <b>FCHP</b> - Champagne <b>FDBZ</b> - Dark bronze <b>FPF</b> - Primer finish <b>CF#</b> - Custom finish, specify RAL# <b>NA</b> - Not applicable	<b>FTMW</b> - Matte white <b>FTMB</b> - Matte black <b>FSPC</b> - Satin silver <b>FSSPC</b> - Matte silver <b>FCHP</b> - Champagne <b>FDBZ</b> - Dark bronze <b>FPF</b> - Primer finish <b>CF#</b> - Custom finish, specify RAL# <b>NA</b> - Not applicable  <sup>8</sup> A trim flange finish option must be specified for pinhole. See page 6 for details.	<b>JA8</b> - JA8 compliant <b>WET</b> <sup>9,10</sup> - Wet location  <sup>9</sup> Must be specified with the bevel (AE4RRAB), flanged trim (TRM), and either SDL, FDL, or CL lens options. <sup>10</sup> To specify the WET option, the code will be JA8+WET.

\* LSDL or LFDL at light element cannot be combined with SDL or FDL at baffle.



# AERA 4" DOWNLIGHT



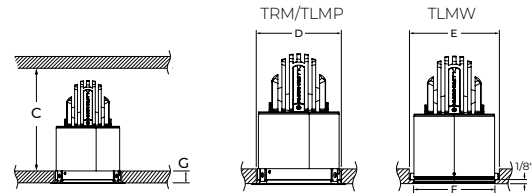
ROUND RECESSED ADJUSTABLE  
NEW CONSTRUCTION & REMODEL

## Housing

INSTALLATION TYPES		
<b>OF</b> - Open Frame Type Non-IC	<b>IC</b> - Type-IC	<b>CP</b> - Chicago Plenum Type-IC (CCEA) <b>AT</b> - Airtight Type-IC
<b>RM</b> - Remodel Type Non-IC		
Integral	Remote	

- For height dimension C, see the PLENUM CLEARANCE & CUT-OUT DIMENSIONS table below.
- For OF, IC, CP, and AT installation types with remote dimming, a remote driver box is provided.
- Clearance between sides of luminaire and parts of building must be 1/2" minimum; clearance to insulating materials to be 3" minimum, unless luminaires are IC rated.

## PLENUM CLEARANCE & CUT-OUT DIMENSIONS



PLENUM CLEARANCE HEIGHT			
REMOTE & INTEGRAL			
		D1/ELV/TRI	LDE1/DA/ELD1/ELD0/PEQ0
<b>C</b>	OF	6 3/8"	6"
	IC	6 3/8"	
	CP/AT	6 7/8"	
	RM	6 3/8"	NA
CUT-OUT DIMENSIONS			
<b>D</b>	TRM/TLMP	Ø 4 1/2"	
<b>E</b>	TLMW	Ø 4 1/2"	
<b>F</b>		Ø 4 1/16" with 1/8" lip	
MAXIMUM CEILING THICKNESS			
<b>G</b>	TRM/TLMP	1 1/2"	
	TLMW	5/8"	

# AERA 4" DOWNLIGHT

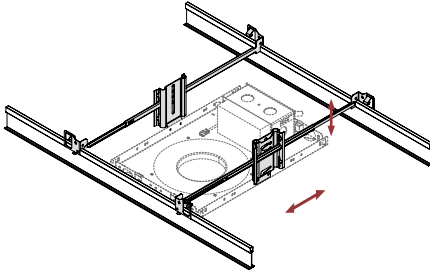


ROUND RECESSED ADJUSTABLE  
NEW CONSTRUCTION & REMODEL

## Housing

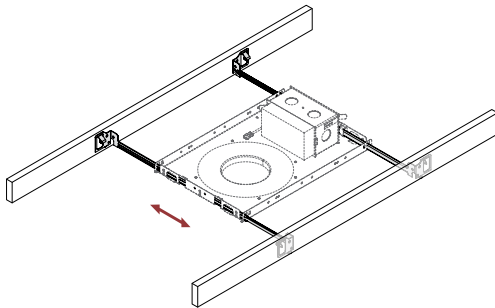
### MOUNTING OPTIONS

#### ASB - Adjustable Standard Bar Hangers



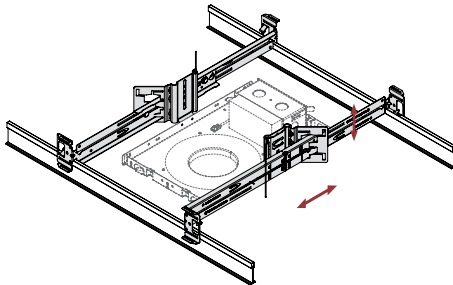
Adjustable Standard Bar hangers can be used in both commercial and residential applications and are adjustable to various heights in both Grid Ceiling and Drywall mounting. ASB hangers are less rigid and versatile than ACB hangers.

#### FMB - Flush Mount Bars



Flush Mount Bars are best used in residential applications, fitting snug to the surface and suitable for Wood, Metal, and Drywall mounting. The flush mounted bars are static and can't be adjusted.

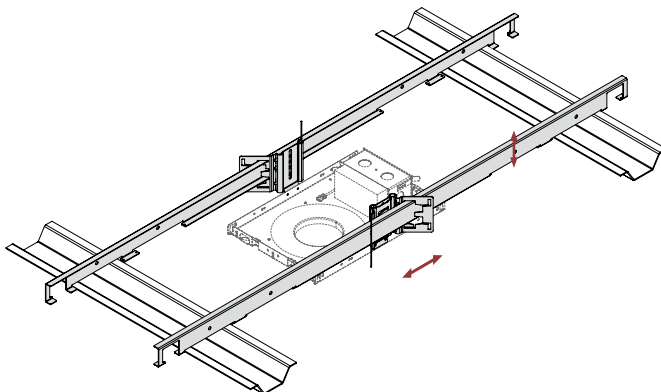
#### ACB - Adjustable Commercial Bar Hangers



Adjustable Commercial Bar hangers can be used in both commercial and residential applications and are by far the most versatile mounting bar we offer with its adjustability to various heights. ACB hangers are suitable for Grid Ceiling, Drywall, Metal, Wood and Frame mounting.

- Extremely rigid
- Fits into C-Channel notches in a Butterfly Bracket

#### AHC - Adjustable Hat Channel Bars



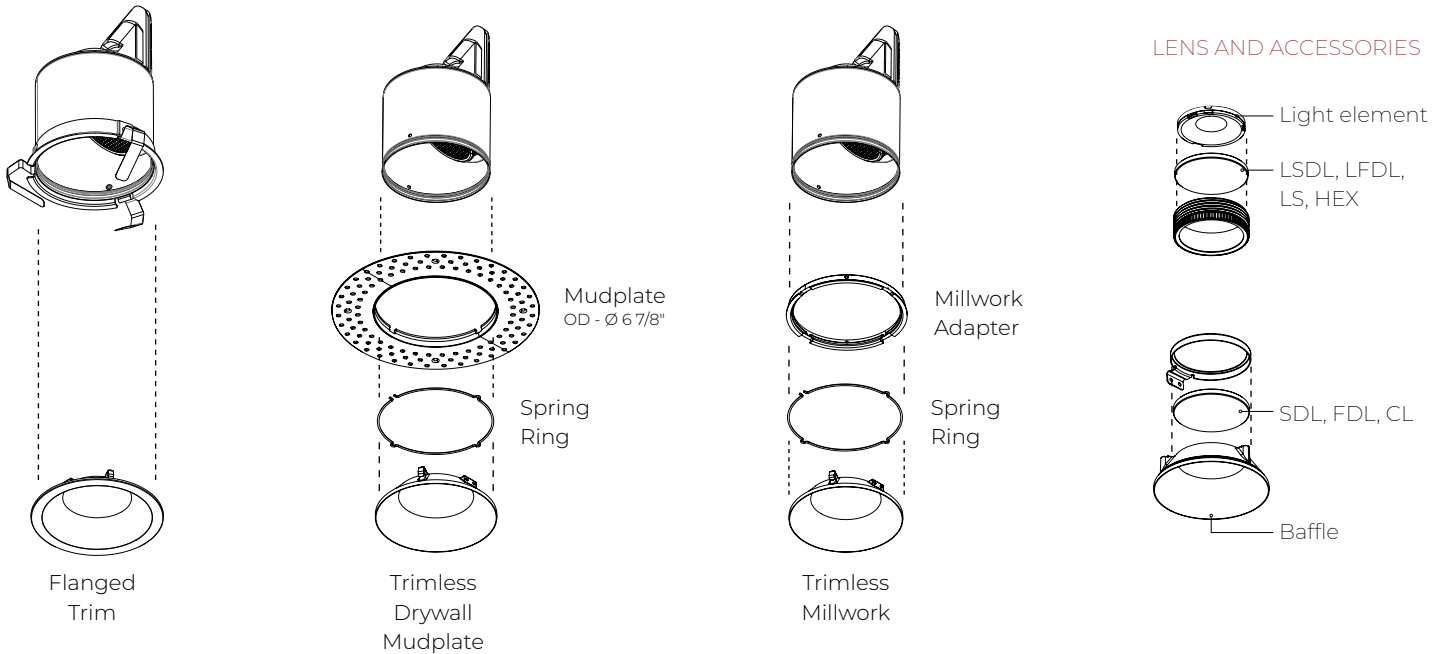
Adjustable Hat Channel bars can be used in both commercial and residential applications and come with a butterfly clip to adjust to various heights. AHC bars can be hung downward by 90 degrees in vertical position, and once wired, can be shifted onto the horizontal mounting plane. AHC bars are suitable for both Drywall and wood ceiling applications.

# AERA 4" DOWNLIGHT

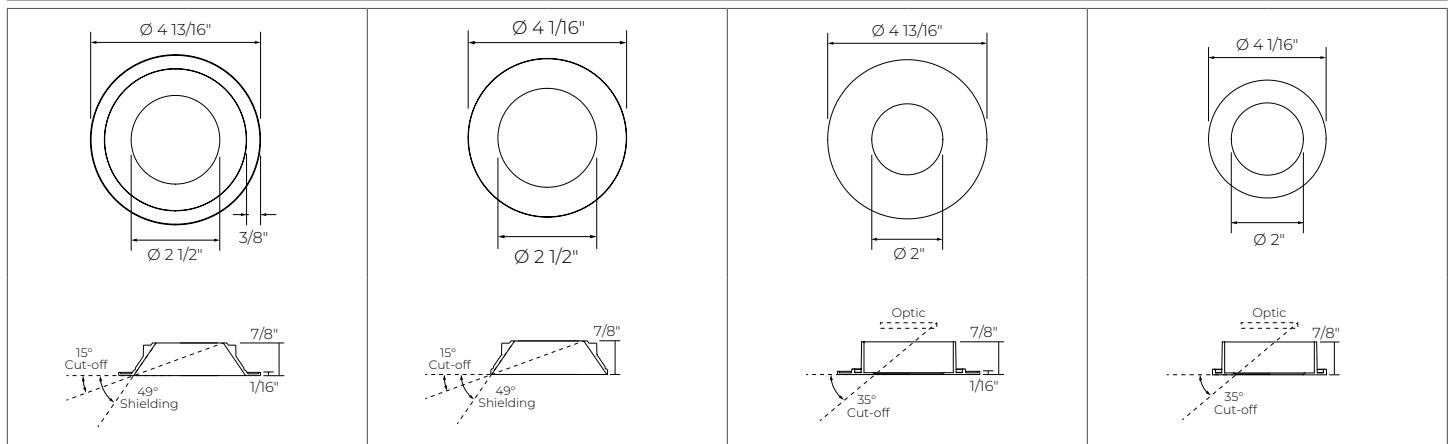


ROUND RECESSED ADJUSTABLE  
NEW CONSTRUCTION & REMODEL

## Light & Baffle



Bevel		Pinhole	
<b>TRM</b> Flanged Trim	<b>TLMP/TLMW</b> Trimless Drywall Mudplate /Trimless Millwork	<b>TRM</b> Flanged Trim	<b>TLMP/TLMW</b> Trimless Drywall Mudplate /Trimless Millwork

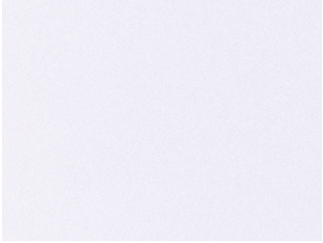


# AERA 4" DOWNLIGHT

ROUND RECESSED ADJUSTABLE  
NEW CONSTRUCTION & REMODEL



## Finishes



**FTMW** - Matte white



**FTMB** - Matte black



**FSPC** - Satin silver



**FSSPC** - Matte silver



**FCHP** - Champagne



**FDBZ** - Dark bronze



**FPF** - Primer finish

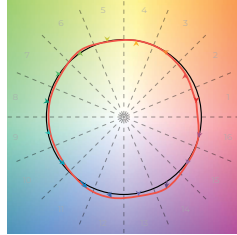
# AERA 4" DOWNLIGHT



ROUND RECESSED ADJUSTABLE  
NEW CONSTRUCTION & REMODEL

## Color Quality

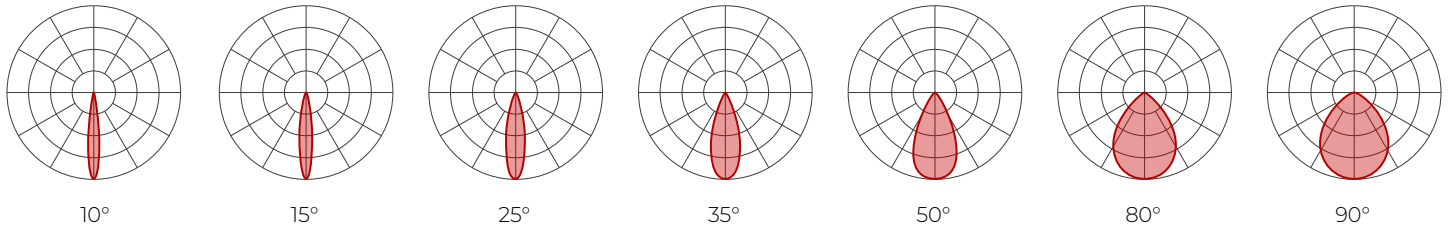
COLOR QUALITY - 3500K	
TM-30 R <sub>r</sub>	90
TM-30 R <sub>g</sub>	100
CRI	90+
R9	> 50



## Photometrics

STATIC WHITE

Values calculated based on 3500K, bevel baffle, and SDL lens option.



Delivered lumens (LM)

CRI	80+ CRI							90+ CRI							95+ CRI						
	10°	15°	25°	35°	50°	80°	90°	10°	15°	25°	35°	50°	80°	90°	10°	15°	25°	35°	50°	80°	90°
14 W	1181	1312	1348	1298	1272	1145	1145	1103	1226	1260	1213	1189	1070	1070	850	944	970	934	916	824	824
20 W	1693	1881	1932	1861	1823	1641	1641	1582	1758	1806	1739	1704	1534	1534	1219	1354	1391	1339	1312	1181	1181
28 W	2272	2524	2594	2498	2447	2202	2202	2123	2359	2424	2334	2287	2058	2058	1634	1816	1867	1797	1761	1585	1585

Efficacy (LM/W)

CRI	80+ CRI							90+ CRI							95+ CRI						
	10°	15°	25°	35°	50°	80°	90°	10°	15°	25°	35°	50°	80°	90°	10°	15°	25°	35°	50°	80°	90°
14 W	84	94	96	93	91	82	82	79	88	90	87	85	76	76	61	67	69	67	65	59	59
20 W	85	94	97	93	91	82	82	79	88	90	87	85	77	77	61	68	70	67	66	59	59
28 W	81	90	93	89	87	79	79	76	84	87	83	82	74	74	58	65	67	64	63	57	57

## MULTIPLIERS

Please follow the multiplier tables to ensure correct lumen value. Beams, CCT, baffle styles, baffle colors, lensing and accessories will change the lumen value.

CCT	BAFFLE STYLE AND COLOR	LENS * (At baffle)	ACCESSORIES * (At light element)
2200K	Flanged trim   1	SDL - Soft diffused lens, Solite   1	LSDL - Soft diffused lens, Solite   1
2400K	Trimless   1	FDL - Frosted lens   0.8	LFDL - Frosted lens   0.8
2700K	Bevel   1	CL - Clear lens   1.1	LS - Linear spread   0.84
3000K	Wet bevel   1	NOL - No lens   1.1	HEX - Hex louver   0.86
3500K	Pinhole   0.92		
4000K	White   1		
5000K	Black   1		

\* When more than one lens or accessory is specified, multiply together the value of each lens and/or accessory.  
e.g. NOL + LSDL + LS = 1.1 x 1 x 0.84 = 0.924

For SOLA and DUO, please consult factory.

www.lumenwerx.com  
T (514) 225-4304

© Lumenwerx, ULC. All rights reserved.



Lumenwerx reserves the right to modify product specifications without notification.  
AERA4+DOWNLIGHT-ROUND-RECESSED-ADJUSTABLE-SPEC-REV8 January22,2026

# AERA 4" DOWNLIGHT

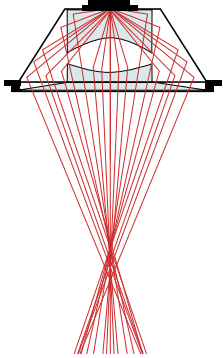
ROUND RECESSED ADJUSTABLE  
NEW CONSTRUCTION & REMODEL



## Technical Specifications

### OPTIC

XPoint™ Refraction Technology optics provide precise optical control in a remarkably compact form. Micro optical paths from the chip on board converge and then disperse in precise beam angles, resulting in a crisp and exacting light quality.



### LIGHT SOURCE

#### Static white

Compact COB (Chip-On-Board) LED module, available in 2200K, 2400K, 2700K, 3000K, 3500K, 4000K, and 5000K with a choice of 80+ CRI, 90+ CRI, or 95+ CRI, with elevated R9 value for 90+ CRI and above. Color consistency is maintained to within 2 SDCM. All LEDs have been tested in accordance with IESNA LM-80-08 and the results have shown L80 lumen maintenance greater than 60,000 hours. Absolute product photometry is measured and presented in accordance with IESNA LM-79, unless otherwise indicated.

#### Full spectrum static white

The full spectrum LED option offers improved color particularly in the cyan region that is beneficial in both healthcare and circadian lighting strategies. The cyan region in full spectrum LED is richer at the 480 nm range.

#### Chromawerx SOLA

Chromawerx SOLA is single-channel control that dims output while warming the color temperature in a pre-determined relationship. Two color temperature range options are offered: 3000K to 1800K, and 2700K to 1800K. A simple analog control adjusts a specially populated LED array to emulate the effect of dimming a filament source.

#### Chromawerx DUO

Chromawerx DUO offers a two-channel control system which uses analog or digital protocols for synchronous control of both cool to warm LED arrays - maintaining a CRI above 90. Two color temperature range options are offered: 6500K to 2700K, and 5000K to 2700K. The range of color DUO offers is useful for entraining circadian rhythms, stimulating alertness, and compensating for jet lag among other applications. The Chromawerx drivers are programmed to limit maximum light output and power usage across all color temperatures. When paired with DALI drivers (DDA/DDA8), color tuning follows a linear dimming curve.

### ELECTRICAL

Unless otherwise specified, dimming down to 1%. At maximum driver load: efficiency > 84%, PF > 0.9, THD < 20%.

ELV and TRIAC dimming performance (including minimum dimming percentage) subject to dimmer selection.

**Integral:** 0-10V, ELV, TRIAC, Lutron Hi-Lume 1% EcoSystem, DALI, eldoLED 0.1% SOLOdrive 0-10V, eldoLED 1% ECOdrive 0-10V, DMX, Lutron DALI-2 digital

**Remote:** 0-10V, ELV, TRIAC, Lutron Hi-Lume 1% EcoSystem, DALI, eldoLED 0.1% SOLOdrive 0-10V, eldoLED 1% ECOdrive 0-10V, DMX, Lutron DALI-2 digital

**Emergency battery options - Integral:** Factory installed, long-life, high-temperature, LED driver with integrated emergency backup using a recyclable LiFePO<sub>4</sub> battery pack. Features a remote test switch with charge indicator, minimum of 90 minutes operation and 10 W per downlight emergency lighting output. Recharge time of 12 hours.

**Emergency battery options - Remote:** Remotely-installed, long-life, high-temperature, maintenance-free, Bodine Lithium-Ion battery pack with self-test functionality, test switch and charge indicator. IOTA and Fulham options available upon request. Minimum of 90 minutes operation, and recharge time of 24 hours. For fixtures less than 10 W, the battery provides 6 W of emergency light output. For fixtures 10 W and over, the battery provides 10 W.

### PoE

Depending on the PoE manufacturer selected, Lumenwerx will install the node in factory as either integral to the luminaire or as a remote module. Factory programming of the PoE node may or may not enable the following functionalities: lumen package, DUO (tunable white), QUADRO (RGBW), emergency battery backup, and sensor integration. These must be addressed and evaluated on a case-by-case basis.

# AERA 4" DOWNLIGHT



## ROUND RECESSED ADJUSTABLE NEW CONSTRUCTION & REMODEL

### CONSTRUCTION

#### Housing

For new construction, 20 gauge powder coated steel. Open frame, type-IC, or Chicago Plenum (CCEA) rated. 18 gauge galvanized steel junction box with ½" trade size knockouts. Adjustable standard, flush mount, adjustable commercial, and adjustable hat channel bar hangers are available as mounting options.

#### Light element

**Adjustability:** Hot aiming, 355° rotation and 35° vertical tilt with shift to ensure beam stays centered.

**LED module:** Integral COB module. 90+ CRI and 2 SDCM, Standard with options of 80+ CRI, or 95+ CRI. L80 > 60,000 hours.

**XPoint™ Refraction Technology optic:** Micro optical paths from the chip on board converge and then disperse in precise beam angles, resulting in a crisp and exacting light quality.

**Thermal management:** Die-cast aluminum heat sink to maximize thermal dissipation.

**Baffle:** Die-cast aluminum mounted with retaining spring clips

**Trim style:** Trimmed and trimless with mudplate or millwork adapter

**Finish:** Matte white, matte black, satin silver, matte silver, champagne, dark bronze, and primer finish. Custom colors also available (provide RAL #). For the primer finish option, fixture must be turned off and the lens masked before applying paint.

### WEIGHT

**Open frame:** 4.5 lbs - 2 kg

**Type-IC/Chicago Plenum:** 8 lbs - 3.6 kg

**Remodel:** 3.5 lbs - 1.6 kg

### LENS AND ACCESSORIES



Soft diffused lens, Solite



Frosted diffused lens



Clear lens



Linear spread



Hex louver

### ENVIRONMENT

Ambient temperature at fixture location shall be within 0°C/32°F - 25°C/77°F, indoor dry or damp as well as outdoor damp use (canopies or marquees).

### CERTIFICATIONS

**ETL:** Rated for indoor dry/damp locations. Conforms to UL Standard 1598 and certified to CAN/CSA Standard C22.2 No. 250.0.

**IP44:** IP44 rated for bathrooms, showers, outdoor canopies, and marquees when specified with the wet location (WET) option.

**Chicago Plenum:** City of Chicago approved (CCEA) when specified with CP installation type option.

**IC rated:** Suitable for direct contact with insulation when specified with IC, CP or AT installation type options.

**Title 24 JA8:** California Building Standards Code

**Declare:** [LBC Red List Approved](#)

### WARRANTY

Lumenwerx provides a five-year limited warranty on electrical and mechanical performance of the luminaires, including the LED boards, drivers, and auxiliary electronics. Lumenwerx will repair or replace defective luminaires or components at our discretion, provided they have been installed and operated in accordance with our specifications. Other limitations apply, please refer to the full warranty on our website.