

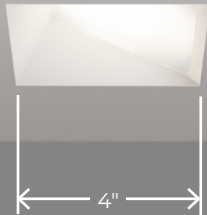
AERA 4" DOWNLIGHT

SQUARE RECESSED WALL WASH
NEW CONSTRUCTION & REMODEL



Declare.

Wall Wash Trimless
Drywall Mudplate



Wall Wash
Flanged Trim



Aera recessed downlights are true to size, encased in minimalist housing, and suitable additions to any interior space where outstanding optical performance, maximal eye comfort, and/or an industry-leading wall wash are required.

Ceiling Types



Drywall



Millwork



Wood Slat
Consult factory



Acoustic Tile

Installation Types

New Construction (Type Non-IC, Type-IC, CCEA)
Remodel (Type Non-IC)

Plenum Clearance



Beam Angles



Low UGR < 10

Wall Wash

Performance

LUMEN OUTPUT ¹	WATTS	EFFICACY
763 lm	14 W	54 lm/W
1216 lm	20 W	61 lm/W
1632 lm	28 W	58 lm/W

¹Lumen packages are assuming 3500K, 80+ CRI.

Light Source

Static White
Full Spectrum Static White
SOLA - Dim-to-Warm
DUO - Tunable White



COB

2 Step Color Binning
Up to 95+ CRI

Drivers / Protocols

1%, 0.1% Dimming Available
0-10V, TRIAC, ELV, Lutron EcoSystem, DALI, DMX
Emergency Battery (optional)



Smart / Wireless Compatible

Aera Family (Refer to other spec sheets)

Downlight



2" / 3" / 4"
Round / Square
Recessed Adjustable



2" / 3" / 4"
Round / Square
Recessed



2" / 3" / 4"
Round / Square
Recessed Wall Wash

Multi-aperture



2" / 3" / 4"
Round / Square
Recessed Adjustable



2" / 3" / 4"
Round / Square
Recessed



2" / 3" / 4"
Round / Square
Recessed Wall Wash

Cylinder



2" / 3" / 4" / 5" / 6"
4" Seal
Pendant
Pendant Asymmetric
Pendant Wall Wash



2" / 3" / 4" / 5" / 6"
4" Seal
Wall
Wall Asymmetric



2" / 3" / 4" / 5" / 6"
4" Seal
Surface
Surface Asymmetric
Surface Wall Wash

www.lumenwerx.com
T (514) 225-4304

© Lumenwerx, ULC. All rights reserved.



Lumenwerx reserves the right to modify product specifications without notification.

AERA4-DOWNLIGHT-SQUARE-RECESSED-WW-SPEC-REV8 January 22, 2026

AERA 4" DOWNLIGHT

SQUARE RECESSED WALL WASH
NEW CONSTRUCTION & REMODEL



Project: _____

Type: _____

Order Guide

1 - Housing (Example: AE4SRWW-TRM-SW-OF-ASB-120V-14W-D1-NA)



For a Title 24 JA8 compliant fixture, see page 3.

LUMINAIRE ID ¹	TRIM STYLE	LIGHT SOURCE	INSTALLATION TYPE	MOUNTING OPTION ⁴
AE4SRWW				
AE4SRWW - Aera 4" Square Recessed Wall Wash ¹ Recessed (fixed) and Recessed Adjustable also available. Consult other spec sheets.	TRM - Flanged trim TLMP - Trimless drywall mudplate TLMW ² - Trimless millwork ² For remodel (RM) installation type, TLMW adapter must be installed from above the ceiling or before ceiling is installed.	SW - Static white FS - Full spectrum static white SOLA - Dim-to-warm single channel control DUO - Tunable white 2-channel control	OF - Open Frame Type Non-IC IC ³ - Type-IC RM - Remodel Type Non-IC CP ³ - Chicago Plenum Type-IC (CCEA) AT ³ - Airtight Type-IC ³ Only available with 20 W or less.	ASB ⁵ - Adjustable standard bar hangers FMB ⁵ - Flush mount bars ACB ⁵ - Adjustable commercial bar hangers AHC ⁵ - Adjustable hat channel bars NA - No bar hangers ⁴ See page 5 for more details. ⁵ Not available with RM installation type.
VOLTAGE	WATTAGE ⁷	DIMMING ⁹		OPTION ²⁰
				NA
120V - 120V 277V - 277V UNV - 120V-277V 347V ⁶ - 347V ⁶ Available with RD1 driver only. Please consult factory.	14W - 14 W output, up to 763 lm 20W - 20 W output, up to 1216 lm 28W ⁸ - 28 W output, up to 1632 lm ⁷ Lumen outputs are reduced with full spectrum, consult factory. ⁸ Not available with IC/CP/AT.	INTEGRAL D1 - 1% 0-10V ELV ¹⁰ - ELV 120V TRI ¹⁰ - TRIAC 120V LDE1 ^{11,12} - Lutron Hi-lume 1% Eco DA ^{11,12} - DALI ELD1 ¹¹ - eldoLED 1% ECOdrive 0-10V ELDO ¹¹ - eldoLED 0.1% SOLOdrive 0-10V PEQO ^{12,13,14} - Lutron Hi-lume Premier 0.1% EcoSystem DEB ¹⁴ - 0-10V with onboard emergency battery backup ⁹ PoE (Power-over-Ethernet) compatible. Consult factory for details. ¹⁰ Available with 120V only. ¹¹ Not available with RM installation type. ¹² On-site commissioning is required. ¹³ Not available with 28 W output. ¹⁴ Available with OF housing only.	REMOTE ¹⁵ RD1 - 1% 0-10V RELV ¹⁶ - ELV 120V RTRI ¹⁶ - TRIAC 120V RLDE1 ¹⁷ - Lutron Hi-lume 1% Eco RDA ¹⁷ - DALI RELD1 ¹¹ - eldoLED 1% ECOdrive 0-10V RELDO - eldoLED 0.1% SOLOdrive 0-10V RPEQO ^{17,18} - Lutron Hi-lume Premier 0.1% EcoSystem +EB ¹⁹ - Emergency battery ¹⁵ A remote driver box is provided. ¹⁶ Available with 120V only. ¹⁷ On-site commissioning is required. ¹⁸ Not available with 28 W output. ¹⁹ To specify, add +EB to the selected dimming option, e.g. 1C+EB.	NA - None ²⁰ To specify a JA8 compliant fixture, see page 3.
	SOLA ⁸ 14W - 14 W output, up to 751 lm 18W - 18 W output, up to 965 lm 28W - 28 W output, up to 1615 lm DUO ⁸ 14W - 14 W output, up to 805 lm 19W - 19 W output, up to 1093 lm 28W - 28 W output, up to 1650 lm	SOLA SDI - Single 0-10V input SELV ¹⁰ - ELV 120V STRI ¹⁰ - TRIAC 120V DUO ¹¹ DMX ¹² - DMX DDA ¹² - DALI DT6 DDA8 ¹² - DALI DT8 DD1 - Dual 0-10V input for CCT/intensity LD2 ¹² - Lutron DALI-2 digital	SOLA RSD1 - Single 0-10V input RSELV ¹⁶ - ELV 120V RSTRI ¹⁶ - TRIAC 120V DUO RDMX ¹⁷ - DMX RDDA ¹⁷ - DALI DT6 RDDA8 ¹⁷ - DALI DT8 RDD1 - Dual 0-10V input for CCT/intensity RLD2 ¹⁷ - Lutron DALI-2 digital +EB ¹⁹ - Emergency battery	

2 - Light & Baffle (Example: AE4SRWWB-SW-14W-WW-2STP-90CRI-27K-TRM-WW-FTMW-FTMW-NA)

LUMINAIRE ID	LIGHT SOURCE Specify same as Housing	WATTAGE ²¹ Specify same as Housing	BEAM	COLOR QUALITY	CRI	COLOR TEMP.
AE4SRWWB			WW			
AE4SRWWB - Aera 4" Square Recessed Wall Wash	SW - Static white FS - Full spectrum static white SOLA - Dim-to-warm single channel control DUO - Tunable white 2-channel control	14W - 14 W output, up to 763 lm 20W - 20 W output, up to 1216 lm 28W ²² - 28 W output, up to 1632 lm ²¹ Lumen outputs are reduced with full spectrum, consult factory. ²² Not available with IC/CP/AT.	WW - Wall wash	2STP ²³ - 2 Step MacAdam Ellipse 3STP - 3 Step MacAdam Ellipse ²³ Not available with full spectrum.	80CRI ²⁴ - 80+ CRI 90CRI ²⁴ - 90+ CRI 95CRI - 95+ CRI ²⁴ Not available with full spectrum.	22K ²⁵ - 2200K 24K ²⁶ - 2400K 27K - 2700K 30K - 3000K 35K - 3500K 40K - 4000K 50K ²⁶ - 5000K ²⁵ Only available with 90+ CRI. ²⁶ Not available with 95+ CRI.
		SOLA ²² 14W - 14 W output, up to 751 lm 18W - 18 W output, up to 965 lm 28W - 28 W output, up to 1615 lm DUO ²² 14W - 14 W output, up to 805 lm 19W - 19 W output, up to 1093 lm 28W - 28 W output, up to 1650 lm		3STP - 3 Step MacAdam Ellipse	90CRI - 90+ CRI	SOLA 30K18K - 3000K to 1800K 27K18K - 2700K to 1800K DUO 65K27K - 6500K to 2700K 50K27K - 5000K to 2700K
TRIM STYLE Specify same as Housing	LENS	BAFFLE FINISH	TRIM FLANGE FINISH Specify NA for Trimless	OPTION ²⁸		
	WW			NA		
TRM - Flanged trim TLMP - Trimless drywall mudplate TLMW ²⁷ - Trimless millwork ²⁷ For remodel (RM) installation type, TLMW adapter must be installed from above the ceiling or before ceiling is installed.	WW - Wall wash diffuser	FTMW - Matte white FTMB - Matte black FSPC - Satin silver FSSPC - Matte silver FCHP - Champagne	FDBZ - Dark bronze FPF - Primer finish CF# - Custom finish, specify RAL#	FTMW - Matte white FTMB - Matte black FSPC - Satin silver FSSPC - Matte silver FCHP - Champagne	FDBZ - Dark bronze FPF - Primer finish CF# - Custom finish, specify RAL# NA - Not applicable	NA - None ²⁸ To specify a JA8 compliant fixture, see page 3.



AERA 4" DOWNLIGHT



SQUARE RECESSED WALL WASH
NEW CONSTRUCTION & REMODEL
Title 24 JA8
Order Guide

Project: _____
Type: _____



1 - Housing (Example: AE4SRWW-TRM-SW-AT-ASB-120V-14W-D1-JA8)

LUMINAIRE ID ¹	TRIM STYLE	LIGHT SOURCE	INSTALLATION TYPE	MOUNTING OPTION ²
AE4SRWW		SW	AT	
AE4SRWW - Aera 4" Square Recessed Wall Wash ¹ Recessed (fixed) and Recessed Adjustable also available. Consult other spec sheets.	TRM - Flanged trim TLMP - Trimless drywall mudplate TLMW - Trimless millwork	SW - Static white	AT - Airtight Type-IC	ASB - Adjustable standard bar hangers FMB - Flush mount bars ACB - Adjustable commercial bar hangers AHC - Adjustable hat channel bars NA - None ² See page 5 for more details.

VOLTAGE	WATTAGE	DIMMING		OPTION
	14W			JA8
120V - 120V 277V - 277V UNV - 120V-277V	14W - 14 W output, up to 763 lm	INTEGRAL D1 - 1% 0-10V ELV ³ - ELV 120V TRI ³ - TRIAC 120V LDE1 ⁴ - Lutron Hi-lume 1% Eco ³ Available with 120V only. ⁴ On-site commissioning is required.	REMOTE ⁵ RDI - 1% 0-10V RELV ⁶ - ELV 120V RTRI ⁶ - TRIAC 120V RLDE1 ⁷ - Lutron Hi-lume 1% Eco ⁵ A remote driver box is provided. ⁶ Available with 120V only. ⁷ On-site commissioning is required.	JA8 - JA8 compliant

2 - Light & Baffle (Example: AE4SRWWB-SW-14W-WW-2STP-90CRI-27K-TRM-WW-FTMW-FTMW-JA8)

LUMINAIRE ID	LIGHT SOURCE Specify same as Housing	WATTAGE Specify same as Housing	BEAM	COLOR QUALITY	CRI	COLOR TEMP.
AE4SRWWB	SW	14W	WW		90CRI	
AE4SRWWB - Aera 4" Square Recessed Wall Wash	SW - Static white	14W - 14 W output, up to 763 lm	WW - Wall wash	2STP - 2 Step MacAdam Ellipse 3STP - 3 Step MacAdam Ellipse	90CRI - 90+ CRI	27K - 2700K 30K - 3000K 35K - 3500K 40K - 4000K

TRIM STYLE Specify same as Housing	LENS	BAFFLE FINISH	TRIM FLANGE FINISH Specify NA for Trimless	OPTION
	WW			JA8
TRM - Flanged trim TLMP - Trimless drywall mudplate TLMW - Trimless millwork	WW - Wall wash diffuser	FTMW - Matte white FTMB - Matte black FSPC - Satin silver FSSPC - Matte silver FCHP - Champagne FDBZ - Dark bronze FPP - Primer finish CF# - Custom finish, specify RAL#	FTMW - Matte white FTMB - Matte black FSPC - Satin silver FSSPC - Matte silver FCHP - Champagne FDBZ - Dark bronze FPP - Primer finish CF# - Custom finish, specify RAL# NA - Not applicable	JA8 - JA8 compliant



AERA 4" DOWNLIGHT



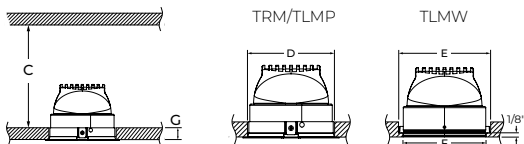
SQUARE RECESSED WALL WASH
NEW CONSTRUCTION & REMODEL

Housing

INSTALLATION TYPES		
OF - Open Frame Type Non-IC	IC - Type-IC	CP - Chicago Plenum Type-IC (CCEA) AT - Airtight Type-IC
RM - Remodel Type Non-IC		
Integral	Remote	

- For height dimension C, see the PLENUM CLEARANCE & CUT-OUT DIMENSIONS table below.
- For OF, IC, CP, and AT installation types with remote dimming, a remote driver box is provided.
- Clearance between sides of luminaire and parts of building must be 1/2" minimum; clearance to insulating materials to be 3" minimum, unless luminaires are IC rated.

PLENUM CLEARANCE & CUT-OUT DIMENSIONS



PLENUM CLEARANCE HEIGHT			
REMOTE & INTEGRAL			
		D1/ELV/TRI	LDE1/DA/ELDI/ELDO/PEQ0
C	OF	4 1/8"	6"
	IC	4" (14 W) 6 3/8" (20 W)	6 3/8"
	CP/AT	4 7/8" (14 W) 6 7/8" (20 W)	6 7/8"
	RM	4 1/8"	NA
CUT-OUT DIMENSIONS			
D	TRM/TLMP	4 1/2" x 4 1/2"	
E	TLMW	4 1/2" x 4 1/2"	
F		4 1/16" x 4 1/16" with 1/8" lip	
MAXIMUM CEILING THICKNESS			
G	TRM/ TLMP	1 3/8"	
	TLMW	5/8"	



AERA 4" DOWNLIGHT

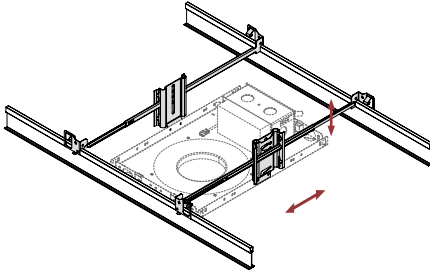


SQUARE RECESSED WALL WASH
NEW CONSTRUCTION & REMODEL

Housing

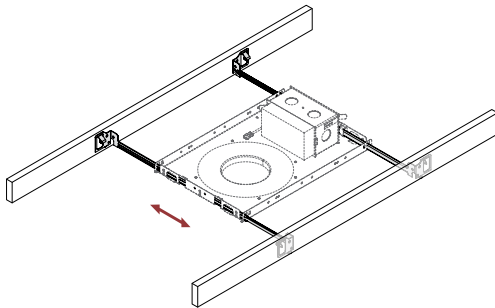
MOUNTING OPTIONS

ASB - Adjustable Standard Bar Hangers



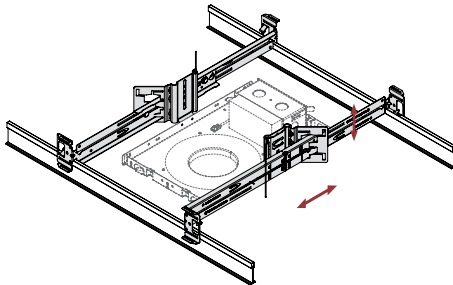
Adjustable Standard Bar hangers can be used in both commercial and residential applications and are adjustable to various heights in both Grid Ceiling and Drywall mounting. ASB hangers are less rigid and versatile than ACB hangers.

FMB - Flush Mount Bars



Flush Mount Bars are best used in residential applications, fitting snug to the surface and suitable for Wood, Metal, and Drywall mounting. The flush mounted bars are static and can't be adjusted.

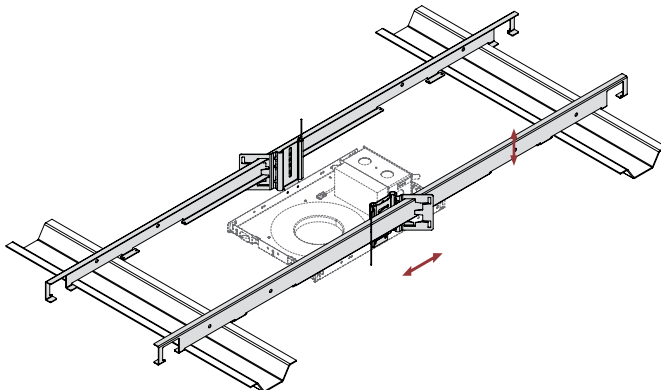
ACB - Adjustable Commercial Bar Hangers



Adjustable Commercial Bar hangers can be used in both commercial and residential applications and are by far the most versatile mounting bar we offer with its adjustability to various heights. ACB hangers are suitable for Grid Ceiling, Drywall, Metal, Wood and Frame mounting.

- Extremely rigid
- Fits into C-Channel notches in a Butterfly Bracket

AHC - Adjustable Hat Channel Bars



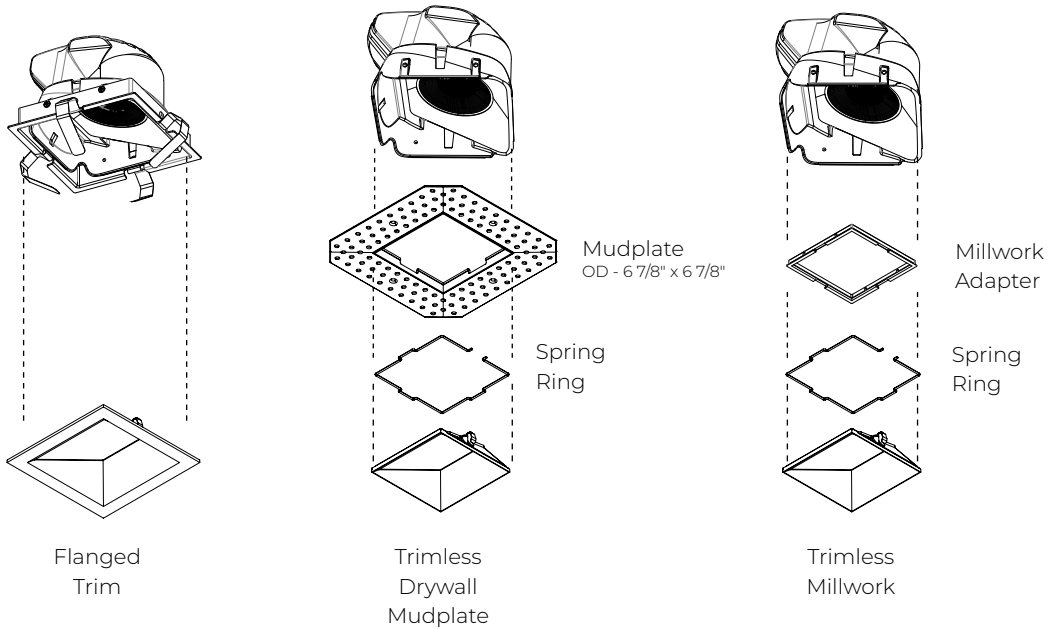
Adjustable Hat Channel bars can be used in both commercial and residential applications and come with a butterfly clip to adjust to various heights. AHC bars can be hung downward by 90 degrees in vertical position, and once wired, can be shifted onto the horizontal mounting plane. AHC bars are suitable for both Drywall and wood ceiling applications.

AERA 4" DOWNLIGHT



SQUARE RECESSED WALL WASH
NEW CONSTRUCTION & REMODEL

Light & Baffle



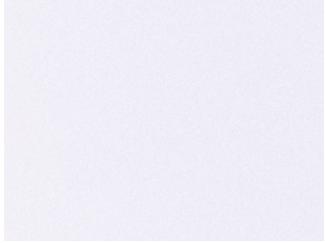
Wall Wash	
TRM Flanged Trim	TLMP/TLMW Trimless Drywall Mudplate /Trimless Millwork
<div style="display: flex; justify-content: space-between;"> <div style="width: 45%;"> <p> Baffle finish</p> <p> Trim flange finish</p> </div> </div>	

AERA 4" DOWNLIGHT

SQUARE RECESSED WALL WASH
NEW CONSTRUCTION & REMODEL



Finishes



FTMW - Matte white



FTMB - Matte black



FSPC - Satin silver



FSSPC - Matte silver



FCHP - Champagne



FDBZ - Dark bronze



FPF - Primer finish

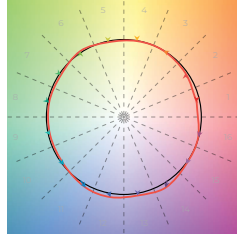
AERA 4" DOWNLIGHT

SQUARE RECESSED WALL WASH
NEW CONSTRUCTION & REMODEL



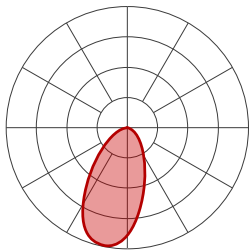
Color Quality

COLOR QUALITY - 3500K	
TM-30 R _r	90
TM-30 R _g	100
CRI	90+
R9	> 50



Photometrics

Values calculated with white wall wash baffle, and based on 3500K for static white.



STATIC WHITE

CRI	80+ CRI		90+ CRI		95+ CRI	
	lm	lm/W	lm	lm/W	lm	lm/W
14 W	763	54	713	51	549	39
20 W	1216	61	1136	57	875	44
28 W	1632	58	1525	54	1174	42

MULTIPLIERS

Please follow the multiplier tables to ensure correct lumen value. CCT and baffle colors will change the lumen value.

CCT		BAFFLE STYLE AND COLOR	
2200K	0.80	Flanged trim	1
2400K	0.87	Trimless	1
2700K	0.94	White	1
3000K	0.98	Black	1
3500K	1		
4000K	1.05		
5000K	1.05		

For SOLA and DUO, please consult factory.

AERA 4" DOWNLIGHT



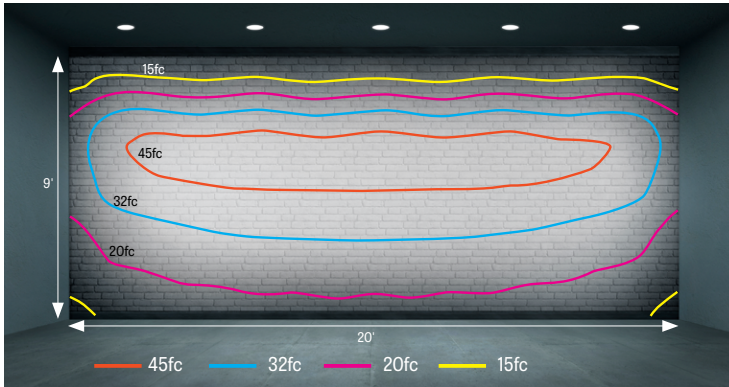
SQUARE RECESSED WALL WASH NEW CONSTRUCTION & REMODEL

Photometrics

UNIFORMITY

Values calculated based on 3500K and white wall wash baffle.

24" from Wall - 36" Spacing



Foot-candles

FC ON WALL		24" FROM WALL - 24" SPACING			24" FROM WALL - 36" SPACING			24" FROM WALL - 48" SPACING			24" FROM WALL - 60" SPACING		
		80+ CRI	90+ CRI	95+ CRI	80+ CRI	90+ CRI	95+ CRI	80+ CRI	90+ CRI	95+ CRI	80+ CRI	90+ CRI	95+ CRI
ABOVE FINISHED FLOOR	9'	12	11	9	7	7	5	6	6	5	6	5	4
	8'	54	51	39	33	31	24	28	27	20	26	25	19
	7'	74	70	54	48	45	34	39	36	28	35	33	25
	6'	65	61	47	43	40	31	33	31	24	29	27	21
	5'	50	47	36	34	31	24	25	24	18	21	20	15
	4'	39	36	28	26	25	19	20	18	14	16	15	12
	3'	31	29	22	21	20	15	15	14	11	13	12	9
	2'	26	24	18	18	16	13	13	12	9	11	10	8
	1'	22	21	16	15	14	11	11	10	8	9	9	7

AERA 4" DOWNLIGHT

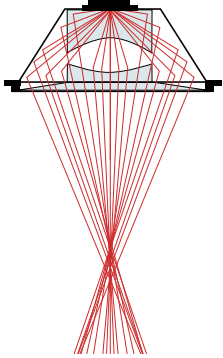
SQUARE RECESSED WALL WASH
NEW CONSTRUCTION & REMODEL



Technical Specifications

OPTIC

XPoint™ Refraction Technology optics provide precise optical control in a remarkably compact form. Micro optical paths from the chip on board converge and then disperse in precise beam angles, resulting in a crisp and exacting light quality.



LIGHT SOURCE

Static white

Compact COB (Chip-On-Board) LED module, available in 2200K, 2400K, 2700K, 3000K, 3500K, 4000K, and 5000K with a choice of 80+ CRI, 90+ CRI, or 95+ CRI, with elevated R9 value for 90+ CRI and above. Color consistency is maintained to within 2 SDCM. All LEDs have been tested in accordance with IESNA LM-80-08 and the results have shown L80 lumen maintenance greater than 60,000 hours. Absolute product photometry is measured and presented in accordance with IESNA LM-79, unless otherwise indicated.

Full spectrum static white

The full spectrum LED option offers improved color particularly in the cyan region that is beneficial in both healthcare and circadian lighting strategies. The cyan region in full spectrum LED is richer at the 480 nm range.

Chromawerx SOLA

Chromawerx SOLA is single-channel control that dims output while warming the color temperature in a pre-determined relationship. Two color temperature range options are offered: 3000K to 1800K, and 2700K to 1800K. A simple analog control adjusts a specially populated LED array to emulate the effect of dimming a filament source.

Chromawerx DUO

Chromawerx DUO offers a two-channel control system which uses analog or digital protocols for synchronous control of both cool to warm LED arrays - maintaining a CRI above 90. Two color temperature range options are offered: 6500K to 2700K, and 5000K to 2700K. The range of color DUO offers is useful for entraining circadian rhythms, stimulating alertness, and compensating for jet lag among other applications. The Chromawerx drivers are programmed to limit maximum light output and power usage across all color temperatures. When paired with DALI drivers (DDA/DDA8), color tuning follows a linear dimming curve.

ELECTRICAL

Unless otherwise specified, dimming down to 1%. At maximum driver load: efficiency>84%, PF>0.9, THD<20%.

ELV and TRIAC dimming performance (including minimum dimming percentage) subject to dimmer selection.

Integral: 0-10V, ELV, TRIAC, Lutron Hi-Lume 1% EcoSystem, DALI, eldoLED 0.1% SOLOdrive 0-10V, eldoLED 1% ECOdrive 0-10V, DMX, Lutron DALI-2 digital

Remote: 0-10V, ELV, TRIAC, Lutron Hi-Lume 1% EcoSystem, DALI, eldoLED 0.1% SOLOdrive 0-10V, eldoLED 1% ECOdrive 0-10V, DMX, Lutron DALI-2 digital

Emergency battery options - Integral: Factory installed, long-life, high-temperature, LED driver with integrated emergency backup using a recyclable LiFePO₄ battery pack. Features a remote test switch with charge indicator, minimum of 90 minutes operation and 10 W per downlight emergency lighting output. Recharge time of 12 hours.

Emergency battery options - Remote: Remotely-installed, long-life, high-temperature, maintenance-free, Bodine Lithium-Ion battery pack with self-test functionality, test switch and charge indicator. IOTA and Fulham options available upon request. Minimum of 90 minutes operation, and recharge time of 24 hours. For fixtures less than 10 W, the battery provides 6 W of emergency light output. For fixtures 10 W and over, the battery provides 10 W.

PoE

Depending on the PoE manufacturer selected, Lumenwerx will install the node in factory as either integral to the luminaire or as a remote module. Factory programming of the PoE node may or may not enable the following functionalities: lumen package, DUO (tunable white), QUADRO (RGBW), emergency battery backup, and sensor integration. These must be addressed and evaluated on a case-by-case basis.

AERA 4" DOWNLIGHT



SQUARE RECESSED WALL WASH NEW CONSTRUCTION & REMODEL

CONSTRUCTION

Housing

For new construction, 20 gauge powder coated steel. Open frame, type-IC, or Chicago Plenum (CCEA) rated. 18 gauge galvanized steel junction box with ½" trade size knockouts. Adjustable standard, flush mount, adjustable commercial, and adjustable hat channel bar hangers are available as mounting options.

Light element

LED module: Integral COB module. 90+ CRI and 2 SDCM, Standard with options of 80+ CRI, or 95+ CRI. L80 > 60,000 hours.

XPoint™ Refraction Technology optic: Micro optical paths from the chip on board converge and then disperse in precise beam angles, resulting in a crisp and exacting light quality.

Thermal management: Die-cast aluminum heat sink to maximize thermal dissipation.

Baffle: Die-cast aluminum mounted with retaining spring clips

Trim style: Trimmed and trimless with mudplate or millwork adapter

Finish: Matte white, matte black, satin silver, matte silver, champagne, dark bronze, and primer finish. Custom colors also available (provide RAL #). For the primer finish option, fixture must be turned off and the lens masked before applying paint.

WEIGHT

Open frame: 4.5 lbs - 2 kg

Type-IC/Chicago Plenum: 8 lbs - 3.6 kg

Remodel: 3.5 lbs - 1.6 kg

ENVIRONMENT

Ambient temperature at fixture location shall be within 0°C/32°F - 25°C/77°F, indoor dry or damp as well as outdoor damp use (canopies or marquees).

CERTIFICATIONS

ETL: Rated for indoor dry/damp locations. Conforms to UL Standard 1598 and certified to CAN/CSA Standard C22.2 No. 250.0.

Chicago Plenum: City of Chicago approved (CCEA) when specified with CP installation type option.

IC rated: Suitable for direct contact with insulation when specified with IC, CP or AT installation type options.

Title 24 JAB: California Building Standards Code

Declare: [LBC Red List Approved](#)

WARRANTY

Lumenwerx provides a five-year limited warranty on electrical and mechanical performance of the luminaires, including the LED boards, drivers, and auxiliary electronics. Lumenwerx will repair or replace defective luminaires or components at our discretion, provided they have been installed and operated in accordance with our specifications. Other limitations apply, please refer to the full warranty on our website.