

AERA 4" MULTI-APERTURE



ROUND RECESSED
NEW CONSTRUCTION



Array

1 X 2		2 X 2	
1 X 3			
1 X 4			

Ceiling Types

Drywall	Millwork	Acoustic Tile

Installation Types

New Construction (Type Non-IC, Type-IC, CCEA)

Plenum Clearance

As low as 6"

Beam Angles

							Wall Wash
10°	15°	25°	35°	50°	80°	90°	

Low UGR < 10 in 10°, 15°, 25°, 35°, and 50° beams
Recessed Adjustable - Up to 355° rotation and 35° tilt

Light Source

Static White
Full Spectrum Static White
SOLA - Dim-to-Warm

COB

2 Step Color Binning
Up to 95+ CRI

Driver

1%, 0.1% Dimming Available
0-10V, TRIAC, ELV, Lutron EcoSystem, DALI
Emergency Battery (optional)

Aera Family (Refer to other spec sheets)

Downlight



2" / 3" / 4"
Round / Square
Recessed Adjustable



2" / 3" / 4"
Round / Square
Recessed



2" / 3" / 4"
Round / Square
Recessed Wall Wash

Multi-aperture



2" / 3" / 4"
Round / Square
Recessed Adjustable



2" / 3" / 4"
Round / Square
Recessed



2" / 3" / 4"
Round / Square
Recessed Wall Wash

Cylinder



2" / 3" / 4" / 5" / 6"
4" Seal
Pendant
Pendant Asymmetric
Pendant Wall Wash



2" / 3" / 4" / 5" / 6"
4" Seal
Wall
Wall Asymmetric



2" / 3" / 4" / 5" / 6"
4" Seal
Surface
Surface Asymmetric
Surface Wall Wash

AERA 4" MULTI-APERTURE



ROUND RECESSED
NEW CONSTRUCTION

Project: _____
Type: _____

Order Guide

1 - Housing (Example: AE4MRR-1X2M-TRM-OF-ASB)

LUMINAIRE ID ¹	ARRAY	TRIM STYLE	INSTALLATION TYPE	MOUNTING OPTION ³
AE4MRR				
AE4MRR - Aera 4" Multi-aperture Round Recessed ¹ Square recessed also available. Consult other spec sheet.	1X2M - 1 X 2 1X3M - 1 X 3 1X4M - 1 X 4 2X2M - 2 X 2	TRM - Flanged trim TLMP - Trimless drywall mudplate TLMW - Trimless millwork	OF - Open Frame Type Non-IC IC² - Type-IC CP² - Chicago Plenum Type-IC (CCEA) ² Only available with 14 W or less.	ASB - Adjustable standard bar hangers FMB - Flush mount bars ACB - Adjustable commercial bar hangers AHC - Adjustable hat channel bars NA - No bar hangers ³ See page 4 for more details.

2 - Module (Example: AE4MRRB-SW-15DEG-2STP-90CRI-27K-120V-14W-D1-LSDL-LS-TRM-CL-FTMW-FTMW-NA)

MODULE (Specify order code for each module)	
M1	1 X 2 2 X 2
M2	1 X 3
M3	
M4	1 X 4

LUMINAIRE ID	LIGHT SOURCE	BEAM Specify WW for Wall Wash	COLOR QUALITY	CRI	COLOR TEMP.	VOLTAGE
AE4MRRB - Aera 4" Round Recessed Bevel AE4MRRP - Aera 4" Round Recessed Pinhole AE4MRRAB - Aera 4" Round Recessed Adjustable Bevel AE4MRRAP - Aera 4" Round Recessed Adjustable Pinhole AE4MRRWWB - Aera 4" Round Recessed Wall Wash	SW - Static white FS - Full spectrum static white SOLA - Dim-to-warm single channel control	10DEG - 10° Very narrow spot 15DEG - 15° Narrow spot 25DEG - 25° Spot 35DEG - 35° Narrow flood 25DEG - 25° Spot 35DEG - 35° Narrow flood 60DEG - 60° Wide flood	50DEG - 50° Wide flood 80DEG - 80° Very wide flood 90DEG - 90° Open flood WW - Wall wash 80DEG - 80° Very wide flood 90DEG - 90° Open flood WW - Wall wash	2STP ⁴ - 2 Step MacAdam Ellipse 3STP - 3 Step MacAdam Ellipse 3STP - 3 Step MacAdam Ellipse	80CRI ⁵ - 80+ CRI 90CRI ⁵ - 90+ CRI 95CRI - 95+ CRI 90CRI - 90+ CRI	120V - 120V 277V - 277V UNV - 120V-277V 347V ⁷ - 347V 22K ⁶ - 2200K 24K ⁶ - 2400K 27K - 2700K 30K - 3000K 35K - 3500K 40K - 4000K 50K ⁶ - 5000K SOLA 30K18K - 3000K to 1800K 27K18K - 2700K to 1800K

WATTAGE PER LIGHT ⁸			DIMMING ^{11,12}		
RECESSED	RECESSED ADJ.	RECESSED WW	INTEGRAL	REMOTE ¹⁴	
14W - 14 W output, up to 1538 lm 20W ⁹ - 20 W output, up to 2146 lm 28W ^{9,10} - 28 W output, up to 2882 lm	14W - 14 W output, up to 1348 lm 20W ⁹ - 20 W output, up to 1932 lm 28W ^{9,10} - 28 W output, up to 2594 lm	14W - 14 W output, up to 763 lm 20W ⁹ - 20 W output, up to 1216 lm 28W ⁹ - 28 W output, up to 1632 lm	D1 - 1% 0-10V ELV ¹³ - ELV 120V TRI ¹³ - TRIAC 120V ¹¹ A driver provided per light. ¹² PoE (Power-over-Ethernet) compatible. Consult factory for details. ¹³ Available with 120V only.	RD1 ¹⁵ - 1% 0-10V RELV ¹⁵ - ELV 120V RTRI ¹⁵ - TRIAC 120V RLDE1 ¹⁶ - Lutron Hume 1% Eco RDA ¹⁶ - DALI RELD1 - eldoLED 1% ECOdrive 0-10V RELD0 - eldoLED 0.1% SOLOdrive 0-10V +EB ¹⁷ - Emergency battery ¹⁴ Remote driver boxes (RDB) are provided. Multiple RDBs may be required. ¹⁵ Available with 120V only. ¹⁶ On-site commissioning is required. ¹⁷ To specify, add +EB to the selected dimming option, e.g. RD1+EB.	
14W ⁹ - 14 W output, up to 937 lm 18W ⁹ - 18 W output, up to 1205 lm 28W ⁹ - 28 W output, up to 1945 lm	14W ⁹ - 14 W output, up to 843 lm 18W ⁹ - 18 W output, up to 1085 lm 28W ⁹ - 28 W output, up to 1945 lm	14W ⁹ - 14 W output, up to 751 lm 18W ⁹ - 18 W output, up to 965 lm 28W ⁹ - 28 W output, up to 1615 lm	SD1 - Single 0-10V input SELV ¹³ - ELV 120V STRI ¹³ - TRIAC 120V	RSDD1 - Single 0-10V input RSELV ¹³ - ELV 120V RSTRI ¹³ - TRIAC 120V	

ACCESSORIES [*] See page 6 for details	TRIM STYLE Specify same as Housing	LENS [*] See page 6 for details	BAFFLE FINISH Specify NA for Pinhole	TRIM FLANGE FINISH ²¹ Specify NA for Bevel Trimless & Wall Wash Trimless	OPTION Specify NA for Wall Wash
At light element ^{18,19} (choose up to 2 options for SW/FS and 1 option for SOLA) Specify NA for Wall Wash LSDL - Soft diffused lens, Solite LFDL - Frosted diffused lens LS - Linear spread HEX ²⁰ - Hex louver NA - None ¹⁸ Separate codes with a "+" if more than one is specified, e.g. LSDL+LS. ¹⁹ LSDL and LFDL cannot be combined. LS and HEX cannot be combined. ²⁰ Not available with 80°/90° beam options.	TRM - Flanged trim TLMP - Trimless drywall mudplate TLMW - Trimless millwork	At baffle (choose 1 option) Specify NOL for Pinhole & WW for Wall Wash SDL - Soft diffused lens, Solite FDL - Frosted diffused lens CL - Clear lens NOL - No lens WW - Wall wash diffuser	FTMW - Matte white FTMB - Matte black FSPC - Satin silver FSSPC - Matte silver FCHP - Champagne FDBZ - Dark bronze FPF - Primer finish CF# - Custom finish, specify RAL# NA - Not applicable	FTMW - Matte white FTMB - Matte black FSPC - Satin silver FSSPC - Matte silver FCHP - Champagne FDBZ - Dark bronze FPF - Primer finish CF# - Custom finish, specify RAL# NA - Not applicable ²¹ A trim flange finish option must be specified for pinhole. See page 5 for details.	WET ²² - Wet location NA - None ²² Must be specified with the bevel (AE4MRRB or AE4MRRAB), flanged trim (TRM), and either SDL, FDL, or CL lens options.

* LSDL or LFDL at light element cannot be combined with SDL or FDL at baffle.



AERA 4" MULTI-APERTURE

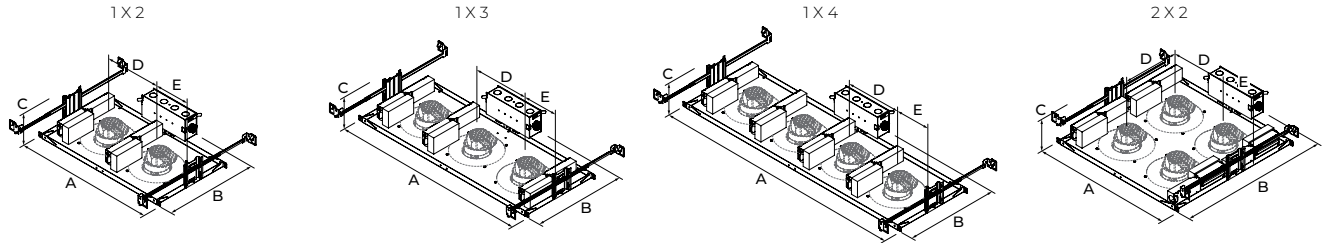


ROUND RECESSED
NEW CONSTRUCTION

Housing

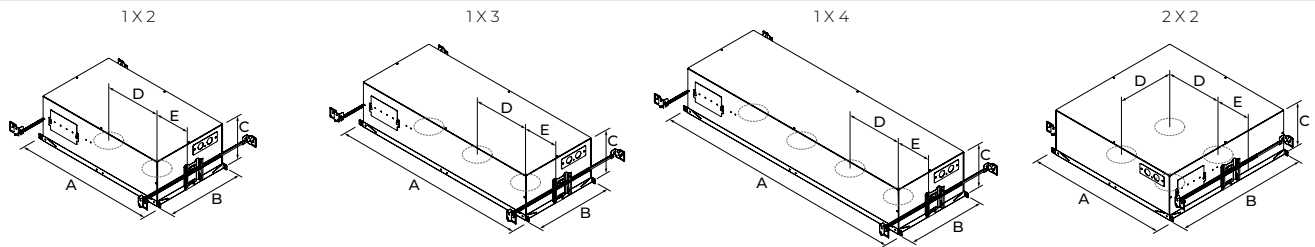
INSTALLATION TYPES

OF - Open Frame Type Non-IC



A	20 3/16"	28 3/16"	36 3/16"	20 3/16"
B		13 1/4"		21 1/4"
C	6"			
D	8" (center-to-center spacing)			
E	5 1/2" (center-to-end spacing)			

IC - Type-IC / CP - Chicago Plenum Type-IC (CCEA)

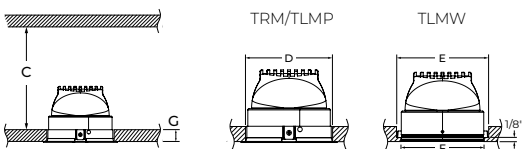


A	20 3/16"	28 3/16"	36 3/16"	20 3/16"
B		11"		19"
C	6 7/16"			
D	8" (center-to-center spacing)			
E	5 1/2" (center-to-end spacing)			

- For OF, IC, and CP installation types with remote dimming, a remote driver box is provided.

- Clearance between sides of luminaire and parts of building must be 1/2" minimum; clearance to insulating materials to be 3" minimum, unless luminaires are IC rated.

PLENUM CLEARANCE & CUT-OUT DIMENSIONS



PLENUM CLEARANCE HEIGHT			
REMOTE & INTEGRAL			
C	OF	IC	CP
C	6"	6 7/16"	
CUT-OUT DIMENSIONS			
D	TRM/TLMP	Ø 4 1/2"	
E	TLMW	Ø 4 1/2"	
F		Ø 4 1/16" with 1/8" lip	
MAXIMUM CEILING THICKNESS			
		RECESSED	RECESSED ADJ.
G	TRM/ TLMP	1 3/8"	1 1/2"
	TLMW	5/8"	

www.lumenwerx.com
T (514) 225-4304

© Lumenwerx, ULC. All rights reserved.



Lumenwerx reserves the right to modify product specifications without notification.

AERA4-MULTI-APERTURE-ROUND-SPEC-REV7 February 11, 2026

AERA 4" MULTI-APERTURE

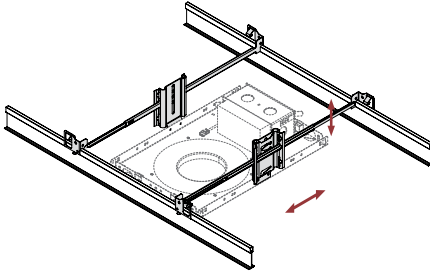


ROUND RECESSED
NEW CONSTRUCTION

Housing

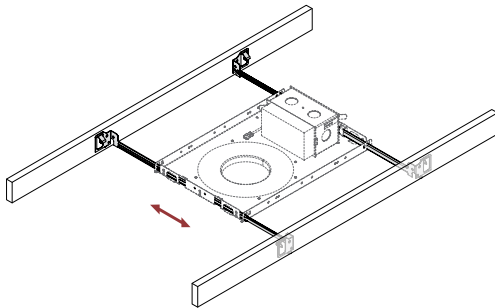
MOUNTING OPTIONS

ASB - Adjustable Standard Bar Hangers



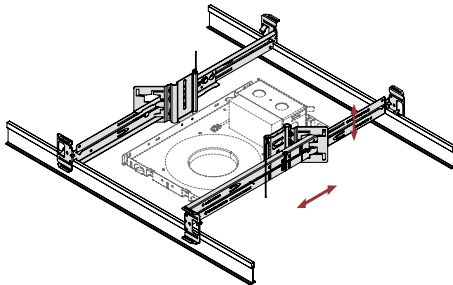
Adjustable Standard Bar hangers can be used in both commercial and residential applications and are adjustable to various heights in both Grid Ceiling and Drywall mounting. ASB hangers are less rigid and versatile than ACB hangers.

FMB - Flush Mount Bars



Flush Mount Bars are best used in residential applications, fitting snug to the surface and suitable for Wood, Metal, and Drywall mounting. The flush mounted bars are static and can't be adjusted.

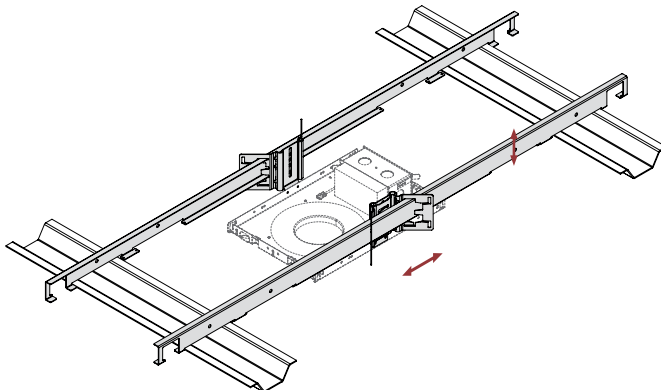
ACB - Adjustable Commercial Bar Hangers



Adjustable Commercial Bar hangers can be used in both commercial and residential applications and are by far the most versatile mounting bar we offer with its adjustability to various heights. ACB hangers are suitable for Grid Ceiling, Drywall, Metal, Wood and Frame mounting.

- Extremely rigid
- Fits into C-Channel notches in a Butterfly Bracket

AHC - Adjustable Hat Channel Bars



Adjustable Hat Channel bars can be used in both commercial and residential applications and come with a butterfly clip to adjust to various heights. AHC bars can be hung downward by 90 degrees in vertical position, and once wired, can be shifted onto the horizontal mounting plane. AHC bars are suitable for both Drywall and wood ceiling applications.

AERA 4" MULTI-APERTURE

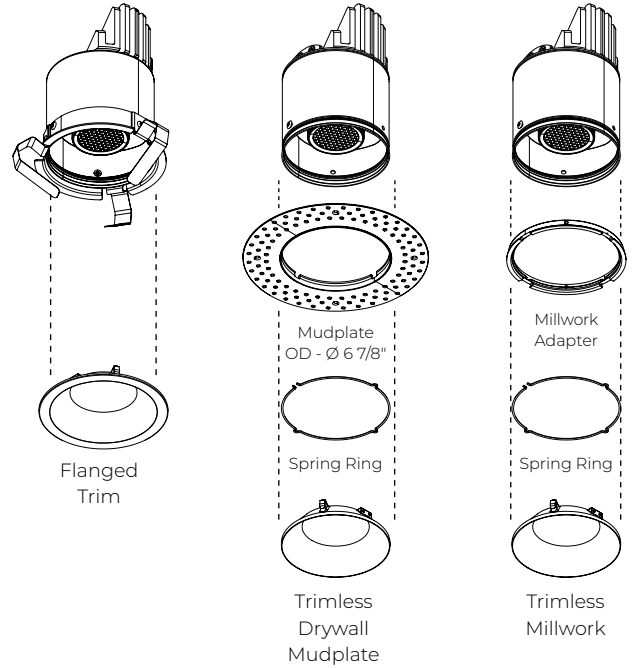
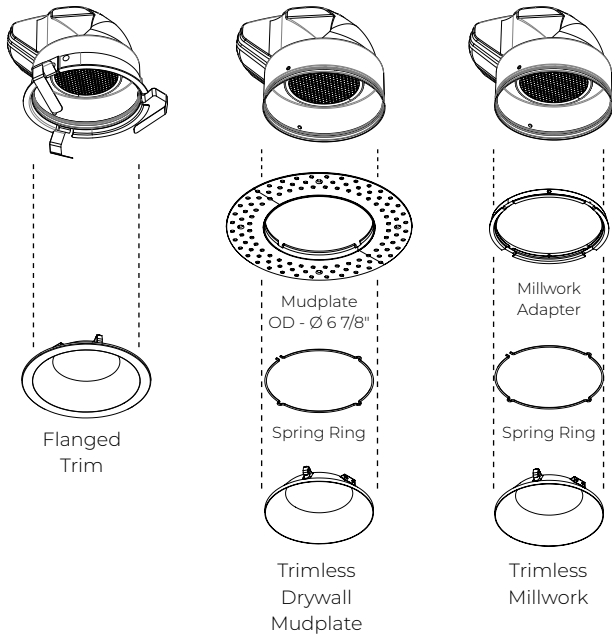


ROUND RECESSED
NEW CONSTRUCTION

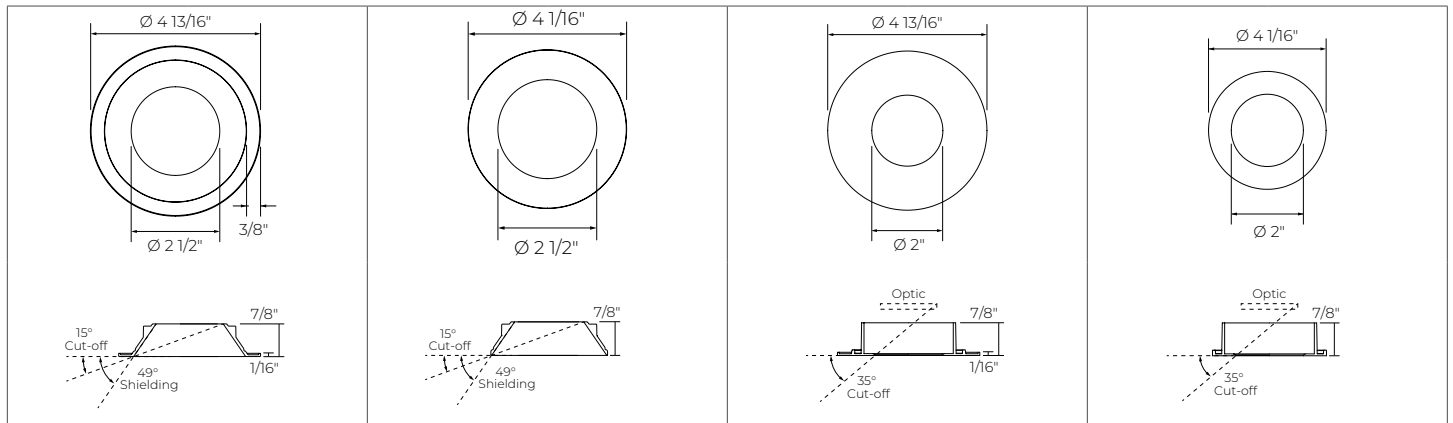
Light & Baffle

RECESSED

RECESSED ADJUSTABLE



Bevel		Pinhole	
TRM Flanged Trim	TLMP/TLMW Trimless Drywall Mudplate /Trimless Millwork	TRM Flanged Trim	TLMP/TLMW Trimless Drywall Mudplate /Trimless Millwork



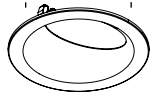
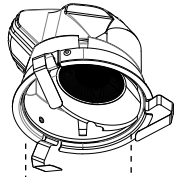
AERA 4" MULTI-APERTURE



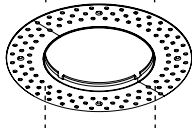
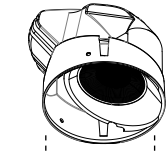
ROUND RECESSED
NEW CONSTRUCTION

Light & Baffle

RECESSED WALL WASH



Flanged
Trim



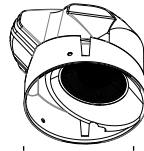
Mudplate
OD - \varnothing 6 7/8"



Spring
Ring



Trimless
Drywall
Mudplate



Millwork
Adapter

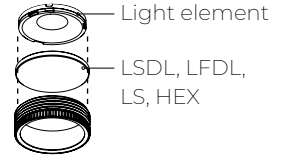


Spring
Ring



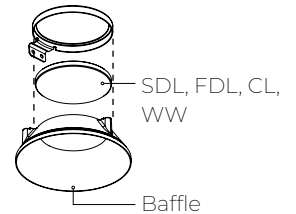
Trimless
Millwork

LENS AND ACCESSORIES



Light element

LSDL, LFDL,
LS, HEX



SDL, FDL, CL,
WW

Baffle

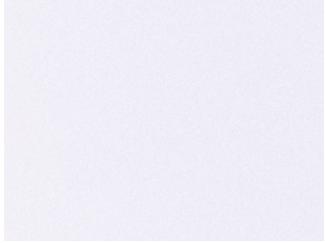
Wall Wash	
TRM Flanged Trim	TLMP/TLMW Trimless Drywall Mudplate /Trimless Millwork
<p> Baffle finish Trim flange finish </p>	
<p> \varnothing 3 1/16" \varnothing 4 13/16" 1 3/8" </p>	<p> \varnothing 3 1/16" \varnothing 4 1/16" </p>

AERA 4" MULTI-APERTURE



ROUND RECESSED
NEW CONSTRUCTION

Finishes



FTMW - Matte white



FTMB - Matte black



FSPC - Satin silver



FSSPC - Matte silver



FCHP - Champagne



FDBZ - Dark bronze



FPF - Primer finish

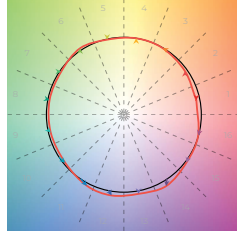
AERA 4" MULTI-APERTURE



ROUND RECESSED
NEW CONSTRUCTION

Color Quality

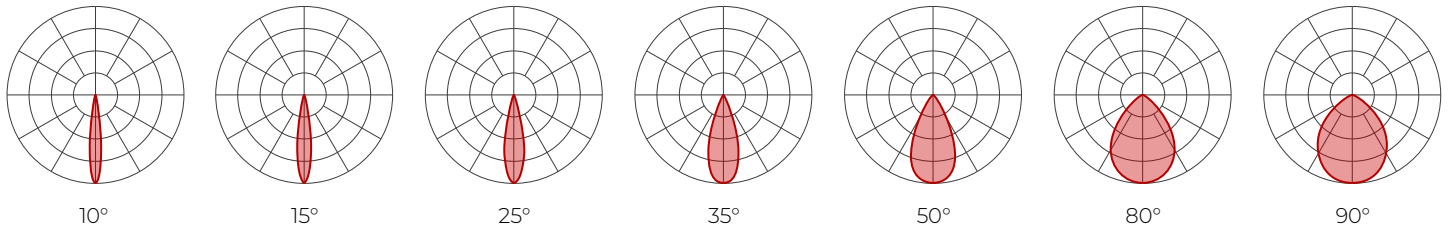
COLOR QUALITY - 3500K	
TM-30 R _r	90
TM-30 R _g	100
CRI	90+
R9	> 50



Photometrics

RECESSED - STATIC WHITE

Values calculated based on 3500K, bevel baffle, and SDL lens option. All values are per light.



Delivered lumens (LM)

CRI	80+ CRI								90+ CRI								95+ CRI							
	10°	15°	25°	35°	50°	80°	90°	10°	15°	25°	35°	50°	80°	90°	10°	15°	25°	35°	50°	80°	90°			
14 W	1347	1497	1538	1481	1451	1306	1306	1259	1399	1437	1384	1356	1220	1220	969	1077	1106	1066	1044	940	940			
20 W	1880	2089	2146	2066	2026	1823	1823	1757	1952	2006	1931	1893	1704	1704	1353	1503	1545	1487	1458	1312	1312			
28 W	2524	2804	2882	2775	2719	2447	2447	2359	2621	2693	2593	2541	2287	2287	1816	2018	2074	1997	1957	1761	1761			

Efficacy (LM/W)

CRI	80+ CRI								90+ CRI								95+ CRI							
	10°	15°	25°	35°	50°	80°	90°	10°	15°	25°	35°	50°	80°	90°	10°	15°	25°	35°	50°	80°	90°			
14 W	96	107	110	106	104	93	93	90	100	103	99	97	87	87	69	77	79	76	75	67	67			
20 W	94	104	107	103	101	91	91	88	98	100	97	95	85	85	68	75	77	74	73	66	66			
28 W	90	100	103	99	97	87	87	84	94	96	93	91	82	82	65	72	74	71	70	63	63			

MULTIPLIERS

Please follow the multiplier tables to ensure correct lumen value. Beams, CCT, baffle styles, baffle colors, lensing and accessories will change the lumen value.

CCT		BAFFLE STYLE AND COLOR		LENS * (At baffle)		ACCESSORIES * (At light element)	
2200K	0.80	Flanged trim	1	SDL - Soft diffused lens, Solite	1	LSDL - Soft diffused lens, Solite	1
2400K	0.87	Trimless	1	FDL - Frosted lens	0.8	LFDL - Frosted lens	0.8
2700K	0.94	Bevel	1	CL - Clear lens	1.1	LS - Linear spread	0.84
3000K	0.98	Wet bevel	1	NOL - No lens	1.1	HEX - Hex louver	0.86
3500K	1	Pinhole	0.92	* When more than one lens or accessory is specified, multiply together the value of each lens and/or accessory. e.g. NOL + LSDL + LS = 1.1 x 1 x 0.84 = 0.924			
4000K	1.05	White	1				
5000K	1.05	Black	1				

For SOLA, please consult factory.



AERA 4" MULTI-APERTURE

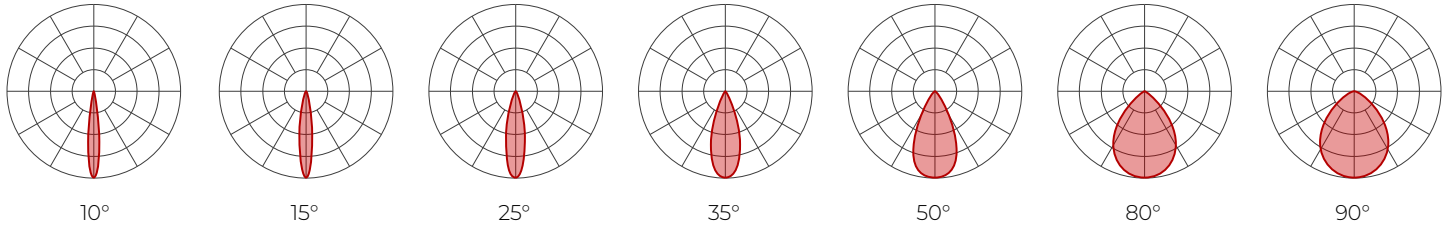


ROUND RECESSED
NEW CONSTRUCTION

Photometrics

RECESSED ADJUSTABLE - STATIC WHITE

Values calculated based on 3500K, bevel baffle, and SDL lens option. All values are per light.



Delivered lumens (LM)

BEAM	80+ CRI							90+ CRI							95+ CRI						
	10°	15°	25°	35°	50°	80°	90°	10°	15°	25°	35°	50°	80°	90°	10°	15°	25°	35°	50°	80°	90°
14 W	1181	1312	1348	1298	1272	1145	1145	1103	1226	1260	1213	1189	1070	1070	850	944	970	934	916	824	824
20 W	1693	1881	1932	1861	1823	1641	1641	1582	1758	1806	1739	1704	1534	1534	1219	1354	1391	1339	1312	1181	1181
28 W	2272	2524	2594	2498	2447	2202	2202	2123	2359	2424	2334	2287	2058	2058	1634	1816	1867	1797	1761	1585	1585

Efficacy (LM/W)

BEAM	80+ CRI							90+ CRI							95+ CRI						
	10°	15°	25°	35°	50°	80°	90°	10°	15°	25°	35°	50°	80°	90°	10°	15°	25°	35°	50°	80°	90°
14 W	84	94	96	93	91	82	82	79	88	90	87	85	76	76	61	67	69	67	65	59	59
20 W	85	94	97	93	91	82	82	79	88	90	87	85	77	77	61	68	70	67	66	59	59
28 W	81	90	93	89	87	79	79	76	84	87	83	82	74	74	58	65	67	64	63	57	57

MULTIPLIERS

Please follow the multiplier tables to ensure correct lumen value. Beams, CCT, baffle styles, baffle colors, lensing and accessories will change the lumen value.

CCT		BAFFLE STYLE AND COLOR		LENS * (At baffle)		ACCESSORIES * (At light element)	
2200K	0.80	Flanged trim	1	SDL - Soft diffused lens, Solite	1	LSDL - Soft diffused lens, Solite	1
2400K	0.87	Trimless	1	FDL - Frosted lens	0.8	LFDL - Frosted lens	0.8
2700K	0.94	Bevel	1	CL - Clear lens	1.1	LS - Linear spread	0.84
3000K	0.98	Wet bevel	1	NOL - No lens	1.1	HEX - Hex louver	0.86
3500K	1	Pinhole	0.92	* When more than one lens or accessory is specified, multiply together the value of each lens and/or accessory. e.g. NOL + LSDL + LS = 1.1 x 1 x 0.84 = 0.924			
4000K	1.05	White	1				
5000K	1.05	Black	1				

For SOLA, please consult factory.

AERA 4" MULTI-APERTURE

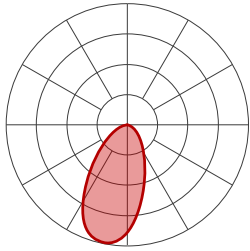


ROUND RECESSED NEW CONSTRUCTION

Photometrics

RECESSED WALL WASH

Values calculated with white wall wash baffle, and based on 3500K for static white. All values are per light.



STATIC WHITE

	80+ CRI		90+ CRI		95+ CRI	
	lm	lm/W	lm	lm/W	lm	lm/W
14 W	763	54	713	51	549	39
20 W	1216	61	1136	57	875	44
28 W	1632	58	1525	54	1174	42

MULTIPLIERS

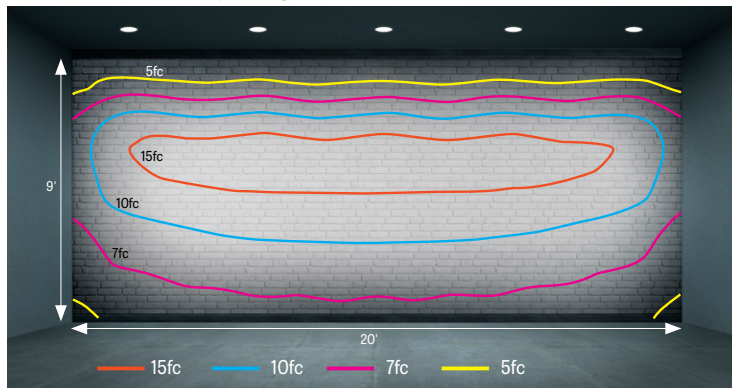
Please follow the multiplier tables to ensure correct lumen value. CCT and baffle colors will change the lumen value.

CCT		BAFFLE STYLE AND COLOR	
STATIC WHITE		Flanged trim	1
2200K	0.80	Trimless	1
2400K	0.87	White	1
2700K	0.94	Black	1
3000K	0.98		
3500K	1		
4000K	1.05		
5000K	1.05	For SOLA, please consult factory.	

UNIFORMITY

Values calculated based on 3500K and white wall wash baffle.

24" from Wall - 36" Spacing



Foot-candles

FC ON WALL	24" FROM WALL - 24" SPACING			24" FROM WALL - 36" SPACING			24" FROM WALL - 48" SPACING			24" FROM WALL - 60" SPACING		
	80+ CRI	90+ CRI	95+ CRI	80+ CRI	90+ CRI	95+ CRI	80+ CRI	90+ CRI	95+ CRI	80+ CRI	90+ CRI	95+ CRI
9'	12	11	9	7	7	5	6	6	5	6	5	4
8'	54	51	39	33	31	24	28	27	20	26	25	19
7'	74	70	54	48	45	34	39	36	28	35	33	25
6'	65	61	47	43	40	31	33	31	24	29	27	21
5'	50	47	36	34	31	24	25	24	18	21	20	15
4'	39	36	28	26	25	19	20	18	14	16	15	12
3'	31	29	22	21	20	15	15	14	11	13	12	9
2'	26	24	18	18	16	13	13	12	9	11	10	8
1'	22	21	16	15	14	11	11	10	8	9	9	7

www.lumenwerx.com
T (514) 225-4304

© Lumenwerx, ULC. All rights reserved.



Lumenwerx reserves the right to modify product specifications without notification.

AERA4-MULTI-APERTURE-ROUND-SPEC-REV7 February 11, 2026

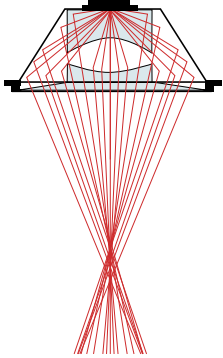
AERA 4" MULTI-APERTURE

ROUND RECESSED NEW CONSTRUCTION

Technical Specifications

OPTIC

XPoint™ Refraction Technology optics provide precise optical control in a remarkably compact form. Micro optical paths from the chip on board converge and then disperse in precise beam angles, resulting in a crisp and exacting light quality.



LIGHT SOURCE

Static white

Compact COB (Chip-On-Board) LED module, available in 2200K, 2400K, 2700K, 3000K, 3500K, 4000K, and 5000K with a choice of 80+ CRI, 90+ CRI, or 95+ CRI, with elevated R9 value for 90+ CRI and above. Color consistency is maintained to within 2 SDCM. All LEDs have been tested in accordance with IESNA LM-80-08 and the results have shown L80 lumen maintenance greater than 60,000 hours. Absolute product photometry is measured and presented in accordance with IESNA LM-79, unless otherwise indicated.

Full spectrum static white

The full spectrum LED option offers improved color particularly in the cyan region that is beneficial in both healthcare and circadian lighting strategies. The cyan region in full spectrum LED is richer at the 480 nm range.

Chromawerx SOLA

Chromawerx SOLA is single-channel control that dims output while warming the color temperature in a pre-determined relationship. Two color temperature range options are offered: 3000K to 1800K, and 2700K to 1800K. A simple analog control adjusts a specially populated LED array to emulate the effect of dimming a filament source.

ELECTRICAL

Unless otherwise specified, dimming down to 1%. At maximum driver load: efficiency > 84%, PF > 0.9, THD < 20%.

ELV and TRIAC dimming performance (including minimum dimming percentage) subject to dimmer selection.

Integral: 0-10V, ELV, TRIAC

Remote: 0-10V, ELV, TRIAC, Lutron Hi-Lume 1% EcoSystem, DALI, eldoLED 0.1% SOLOdrive 0-10V, eldoLED 1% ECOdrive 0-10V

Emergency battery options: Remotely-installed, long-life, high-temperature, maintenance-free, Bodine Lithium-Ion battery pack with self-test functionality, test switch and charge indicator. IOTA and Fulham options available upon request. Minimum of 90 minutes operation, and recharge time of 24 hours. For fixtures less than 10 W, the battery provides 6 W of emergency light output. For fixtures 10 W and over, the battery provides 10 W.

PoE

Depending on the PoE manufacturer selected, Lumenwerx will install the node in factory as either integral to the luminaire or as a remote module. Factory programming of the PoE node may or may not enable the following functionalities: lumen package, DUO (tunable white), QUADRO (RGBW), emergency battery backup, and sensor integration. These must be addressed and evaluated on a case-by-case basis.

CONSTRUCTION

Housing

For new construction, 20 gauge powder coated steel. Open frame, type-IC, or Chicago Plenum (CCEA) rated. 18 gauge galvanized steel junction box with ½" trade size knockouts. Adjustable standard, flush mount, adjustable commercial, and adjustable hat channel bar hangers are available as mounting options.

Light element

Adjustability: Hot aiming, 355° rotation and 35° vertical tilt with shift to ensure beam stays centered (Recessed Adjustable only).

LED module: Integral COB module. 90+ CRI and 2 SDCM, Standard with options of 80+ CRI, or 95+ CRI. L80 > 60,000 hours.

XPoint™ Refraction Technology optic: Micro optical paths from the chip on board converge and then disperse in precise beam angles, resulting in a crisp and exacting light quality.

Thermal management: Cold-forged aluminum heat sink to maximize thermal dissipation.

Baffle: Die-cast aluminum mounted with retaining spring clips

Trim style: Trimmed and trimless with mudplate or millwork adapter

Finish: Matte white, matte black, satin silver, matte silver, champagne, dark bronze, and primer finish. Custom colors also available (provide RAL #). For the primer finish option, fixture must be turned off and the lens masked before applying paint.

WEIGHT

	Open frame	Type-IC / Chicago Plenum
1 X 2	10.5 lbs - 4.8 kg	13.5 lbs - 6.1 kg
1 X 3	14.5 lbs - 6.6 kg	16.5 lbs - 7.5 kg
1 X 4	18.5 lbs - 8.4 kg	20.5 lbs - 9.3 kg
2 X 2	20.5 lbs - 9.3 kg	22.5 lbs - 10.2 kg

Lumenwerx reserves the right to modify product specifications without notification.
AERA4-MULTI-APERTURE-ROUND-SPEC-REV7 February 11, 2026

AERA 4" MULTI-APERTURE

ROUND RECESSED NEW CONSTRUCTION

LENS AND ACCESSORIES

Recessed / Recessed adjustable



Soft diffused lens, Solite



Frosted diffused lens



Clear lens



Linear spread



Hex louver

Recessed wall wash



Wall wash

ENVIRONMENT

Ambient temperature at fixture location shall be within 0°C/32°F - 25°C/77°F, indoor dry or damp as well as outdoor damp use (canopies or marquees).

CERTIFICATIONS

ETL: Rated for indoor dry/damp locations. Conforms to UL Standard 1598 and certified to CAN/CSA Standard C22.2 No. 250.0.

IP44: IP44 rated for bathrooms, showers, outdoor canopies, and marquees when specified with the wet location (WET) option.

Chicago Plenum: City of Chicago approved (CCEA) when specified with CP installation type option.

IC rated: Suitable for direct contact with insulation when specified with IC or CP installation type options.

Declare: [LBC Red List Approved](#)

WARRANTY

Lumenwerx provides a five-year limited warranty on electrical and mechanical performance of the luminaires, including the LED boards, drivers, and auxiliary electronics. Lumenwerx will repair or replace defective luminaires or components at our discretion, provided they have been installed and operated in accordance with our specifications. Other limitations apply, please refer to the full warranty on our website.