

# AERA 4" MULTI-APERTURE



SQUARE RECESSED  
NEW CONSTRUCTION



**Array**

1 X 2      2 X 2      1 X 3      1 X 4

**Ceiling Types**

Drywall      Millwork      Acoustic Tile

**Installation Types**

New Construction (Type Non-IC, Type-IC, CCEA)

**Plenum Clearance**

As low as 6"

**Beam Angles**

10°   15°   25°   35°   50°   80°   90°   Wall Wash

Low UGR < 10 in 10°, 15°, 25°, 35°, and 50° beams  
Recessed Adjustable - Up to 355° rotation and 35° tilt

**Light Source**

Static White  
Full Spectrum Static White  
SOLA - Dim-to-Warm

**COB**

2 Step Color Binning  
Up to 95+ CRI

**Driver**

1%, 0.1% Dimming Available  
0-10V, TRIAC, ELV, Lutron EcoSystem, DALI  
Emergency Battery (optional)

## Aera Family (Refer to other spec sheets)

### Downlight



2" / 3" / 4"  
Round / Square  
Recessed Adjustable



2" / 3" / 4"  
Round / Square  
Recessed



2" / 3" / 4"  
Round / Square  
Recessed Wall Wash

### Multi-aperture



2" / 3" / 4"  
Round / Square  
Recessed Adjustable



2" / 3" / 4"  
Round / Square  
Recessed



2" / 3" / 4"  
Round / Square  
Recessed Wall Wash

### Cylinder



2" / 3" / 4" / 5" / 6"  
4" Seal  
Pendant  
Pendant Asymmetric  
Pendant Wall Wash



2" / 3" / 4" / 5" / 6"  
4" Seal  
Wall  
Wall Asymmetric



2" / 3" / 4" / 5" / 6"  
4" Seal  
Surface  
Surface Asymmetric  
Surface Wall Wash

# AERA 4" MULTI-APERTURE



SQUARE RECESSED  
NEW CONSTRUCTION

Project: \_\_\_\_\_

Type: \_\_\_\_\_

## Order Guide

### 1 - Housing (Example: AE4MSR-1X2M-TRM-OF-ASB)

LUMINAIRE ID <sup>1</sup>	ARRAY	TRIM STYLE	INSTALLATION TYPE	MOUNTING OPTION <sup>3</sup>
<b>AE4MSR</b>				
<b>AE4MSR</b> - Aera 4" Multi-aperture Square Recessed  <sup>1</sup> Round recessed also available. Consult other spec sheet.	<b>1X2M</b> - 1 X 2 <b>1X3M</b> - 1 X 3 <b>1X4M</b> - 1 X 4 <b>2X2M</b> - 2 X 2	<b>TRM</b> - Flanged trim <b>TLMP</b> - Trimless drywall mudplate <b>TLMW</b> - Trimless millwork	<b>OF</b> - Open Frame Type Non-IC <b>IC</b> <sup>2</sup> - Type-IC <b>CP</b> <sup>2</sup> - Chicago Plenum Type-IC (CCEA)	<b>ASB</b> - Adjustable standard bar hangers <b>FMB</b> - Flush mount bars  <b>ACB</b> - Adjustable commercial bar hangers <b>AHC</b> - Adjustable hat channel bars <b>NA</b> - No bar hangers
			<sup>2</sup> Only available with 14 W or less.	<sup>3</sup> See page 4 for more details.

### 2 - Module (Example: AE4MSRB-SW-15DEG-2STP-90CRI-27K-120V-14W-DI-LSDL+LS-TRM-CL-FTMW-FTMW-NA)

MODULE (Specify order code for each module)	
M1	1 X 2
M2	2 X 2
M3	1 X 3
M4	1 X 4

LUMINAIRE ID	LIGHT SOURCE	BEAM Specify WW for Wall Wash	COLOR QUALITY	CRI	COLOR TEMP.	VOLTAGE	
<b>AE4MSRB</b> - Aera 4" Square Recessed Bevel <b>AE4MSRAB</b> - Aera 4" Square Recessed Adjustable Bevel <b>AE4MSRWVB</b> - Aera 4" Square Recessed Wall Wash	<b>SW</b> - Static white <b>FS</b> - Full spectrum static white  <b>SOLA</b> - Dim-to-warm single channel control	<b>10DEG</b> - 10° Very narrow spot <b>15DEG</b> - 15° Narrow spot <b>25DEG</b> - 25° Spot <b>35DEG</b> - 35° Narrow flood  <b>25DEG</b> - 25° Spot <b>35DEG</b> - 35° Narrow flood <b>60DEG</b> - 60° Wide flood	<b>50DEG</b> - 50° Wide flood <b>80DEG</b> - 80° Very wide flood <b>90DEG</b> - 90° Open flood <b>WW</b> - Wall wash  <b>80DEG</b> - 80° Very wide flood <b>90DEG</b> - 90° Open flood <b>WW</b> - Wall wash	<b>2STP</b> <sup>4</sup> - 2 Step MacAdam Ellipse <b>3STP</b> - 3 Step MacAdam Ellipse  <b>3STP</b> - 3 Step MacAdam Ellipse	<b>80CRI</b> <sup>5</sup> - 80+ CRI <b>90CRI</b> <sup>5</sup> - 90+ CRI <b>95CRI</b> - 95+ CRI  <b>90CRI</b> - 90+ CRI	<b>22K</b> <sup>6</sup> - 2200K <b>24K</b> <sup>6</sup> - 2400K <b>27K</b> - 2700K  <b>30K</b> - 3000K <b>35K</b> - 3500K <b>40K</b> - 4000K <b>50K</b> <sup>6</sup> - 5000K  <b>SOLA</b> <b>30K18K</b> - 3000K to 1800K <b>27K18K</b> - 2700K to 1800K	<b>120V</b> - 120V <b>277V</b> - 277V <b>UNV</b> - 120V-277V <b>347V</b> <sup>7</sup> - 347V  <sup>7</sup> Available with RD1 driver only. Please consult factory.
			<sup>4</sup> Not available with full spectrum.	<sup>5</sup> Not available with full spectrum.	<sup>6</sup> Not available with 95+ CRI.		

WATTAGE PER LIGHT <sup>8</sup>			DIMMING <sup>11,12</sup>			
RECESSED	RECESSED ADJ.	RECESSED WW	INTEGRAL	REMOTE <sup>14</sup>		
<b>14W</b> - 14 W output, up to 1538 lm <b>20W</b> <sup>9</sup> - 20 W output, up to 2146 lm <b>28W</b> <sup>9,10</sup> - 28 W output, up to 2882 lm	<b>14W</b> - 14 W output, up to 1348 lm <b>20W</b> <sup>9</sup> - 20 W output, up to 1932 lm <b>28W</b> <sup>9,10</sup> - 28 W output, up to 2594 lm	<b>14W</b> - 14 W output, up to 763 lm <b>20W</b> <sup>9</sup> - 20 W output, up to 1216 lm <b>28W</b> <sup>9</sup> - 28 W output, up to 1632 lm	<b>D1</b> - 1% 0-10V <b>ELV</b> <sup>15</sup> - ELV 120V <b>TRI</b> <sup>15</sup> - TRIAC 120V  <sup>11</sup> A driver provided per light. <sup>12</sup> PoE (Power-over-Ethernet) compatible. Consult factory for details. <sup>13</sup> Available with 120V only.	<b>RD1</b> - 1% 0-10V <b>RELV</b> <sup>15</sup> - ELV 120V <b>RTRI</b> <sup>15</sup> - TRIAC 120V <b>RLDE1</b> <sup>16</sup> - Lutron Hi-lume 1% Eco  <sup>14</sup> Remote driver boxes (RDB) are provided. Multiple RDBs may be required. <sup>15</sup> Available with 120V only. <sup>16</sup> On-site commissioning is required. <sup>17</sup> To specify, add +EB to the selected dimming option, e.g. RD1+EB.	<b>RDA</b> <sup>16</sup> - DALI <b>RELD1</b> - eldoLED 1% ECOdrive 0-10V <b>RELD0</b> - eldoLED 0.1% SOLOdrive 0-10V <b>+EB</b> <sup>17</sup> - Emergency battery	
<b>14W</b> <sup>9</sup> - 14 W output, up to 937 lm <b>18W</b> <sup>9</sup> - 18 W output, up to 1205 lm <b>28W</b> <sup>9</sup> - 28 W output, up to 1945 lm	<b>14W</b> <sup>9</sup> - 14 W output, up to 843 lm <b>18W</b> <sup>9</sup> - 18 W output, up to 1085 lm <b>28W</b> <sup>9</sup> - 28 W output, up to 1945 lm	<b>14W</b> <sup>9</sup> - 14 W output, up to 751 lm <b>18W</b> <sup>9</sup> - 18 W output, up to 965 lm <b>28W</b> <sup>9</sup> - 28 W output, up to 1615 lm	<b>SDI</b> - Single 0-10V input <b>SELV</b> <sup>15</sup> - ELV 120V <b>STRI</b> <sup>15</sup> - TRIAC 120V	<b>RSDI</b> - Single 0-10V input <b>RSELV</b> <sup>15</sup> - ELV 120V <b>RSTRI</b> <sup>15</sup> - TRIAC 120V		

ACCESSORIES *	TRIM STYLE	LENS *	BAFFLE FINISH	TRIM FLANGE FINISH	OPTION
See page 6 for details	Specify same as Housing	See page 6 for details		Specify NA for Bevel Trimless & Wall Wash Trimless	Specify NA for Wall Wash
<b>At light element</b> <sup>18,19</sup> (choose up to 2 options for SW/FS and 1 option for SOLA) Specify NA for Wall Wash  <b>LSDL</b> - Soft diffused lens, Solite <b>LFDL</b> - Frosted diffused lens <b>LS</b> - Linear spread <b>HEX</b> <sup>20</sup> - Hex louver <b>NA</b> - None  <sup>18</sup> Separate codes with a "+" if more than one is specified, e.g. LSDL+LS. <sup>19</sup> LSDL and LFDL cannot be combined. LS and HEX cannot be combined. <sup>20</sup> Not available with 80°/90° beam options.	<b>TRM</b> - Flanged trim <b>TLMP</b> - Trimless drywall mudplate <b>TLMW</b> - Trimless millwork	<b>At baffle</b> (choose 1 option) Specify WW for Wall Wash  <b>SDL</b> - Soft diffused lens, Solite <b>FDL</b> - Frosted diffused lens <b>CL</b> - Clear lens <b>NOL</b> - No lens <b>WW</b> - Wall wash diffuser	<b>FTMW</b> - Matte white <b>FTMB</b> - Matte black <b>FSPC</b> - Satin silver <b>FSSPC</b> - Matte silver <b>FCHP</b> - Champagne <b>FDBZ</b> - Dark bronze <b>FPF</b> - Primer finish <b>CF#</b> - Custom finish, specify RAL#	<b>FTMW</b> - Matte white <b>FTMB</b> - Matte black <b>FSPC</b> - Satin silver <b>FSSPC</b> - Matte silver <b>FCHP</b> - Champagne <b>FDBZ</b> - Dark bronze <b>FPF</b> - Primer finish <b>CF#</b> - Custom finish, specify RAL# <b>NA</b> - Not applicable	<b>WET</b> <sup>21</sup> - Wet location <b>NA</b> - None  <sup>21</sup> Must be specified with the bevel (AE4MSRB or AE4MSRAB), flanged trim (TRM), and either SDL, FDL, or CL lens options.

\* LSDL or LFDL at light element cannot be combined with SDL or FDL at baffle.

www.lumenwerx.com  
T (514) 225-4304

© Lumenwerx, ULC. All rights reserved.



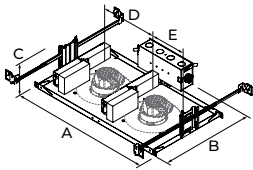
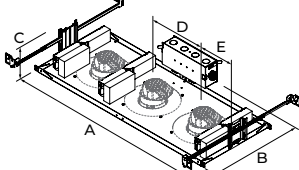
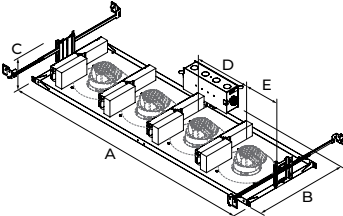
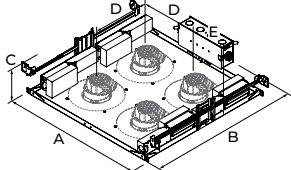
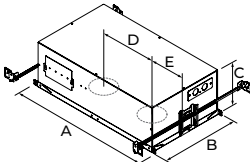
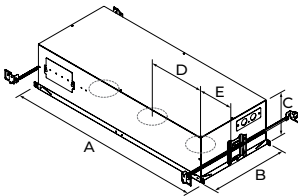
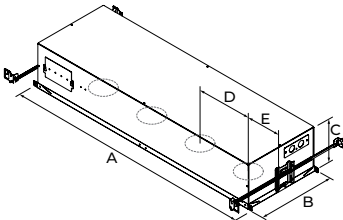
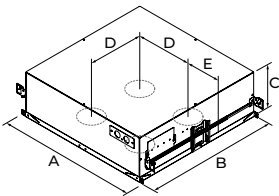
Lumenwerx reserves the right to modify product specifications without notification.

AERA4-MULTI-APERTURE-SQUARE-SPEC-REV7 March 17, 2026

# AERA 4" MULTI-APERTURE

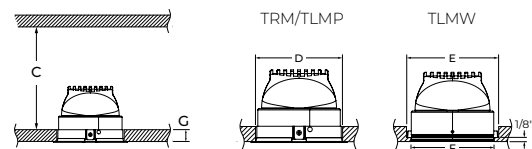
SQUARE RECESSED  
NEW CONSTRUCTION

## Housing

INSTALLATION TYPES				
OF - Open Frame Type Non-IC				
	1X2	1X3	1X4	2X2
				
A	20 3/16"	28 3/16"	36 3/16"	20 3/16"
B	13 1/4"		21 1/4"	
C	6"			
D	8" (center-to-center spacing)			
E	5 1/2" (center-to-end spacing)			
IC - Type-IC / CP - Chicago Plenum Type-IC (CCEA)				
	1X2	1X3	1X4	2X2
				
A	20 3/16"	28 3/16"	36 3/16"	20 3/16"
B	11"		19"	
C	6 7/16"			
D	8" (center-to-center spacing)			
E	5 1/2" (center-to-end spacing)			

- For OF, IC, and CP installation types with remote dimming, a remote driver box is provided.
- Clearance between sides of luminaire and parts of building must be 1/2" minimum; clearance to insulating materials to be 3" minimum, unless luminaires are IC rated.

## PLENUM CLEARANCE & CUT-OUT DIMENSIONS



PLENUM CLEARANCE HEIGHT			
REMOTE & INTEGRAL			
C	OF	IC	CP
C	6"	6 7/16"	
CUT-OUT DIMENSIONS			
D	TRM/TLMP	4 1/2" x 4 1/2"	
E	TLMW	4 1/2" x 4 1/2"	
F		4 1/16" x 4 1/16" with 1/8" lip	
MAXIMUM CEILING THICKNESS			
		RECESSED	RECESSED ADJ.
G	TRM/ TLMP	1 3/8"	1 1/2"
	TLMW	5/8"	

# AERA 4" MULTI-APERTURE

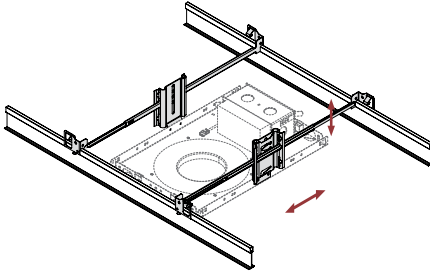


SQUARE RECESSED  
NEW CONSTRUCTION

## Housing

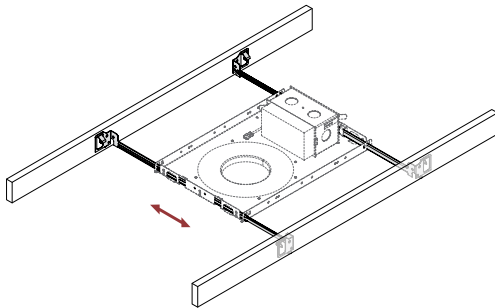
### MOUNTING OPTIONS

#### ASB - Adjustable Standard Bar Hangers



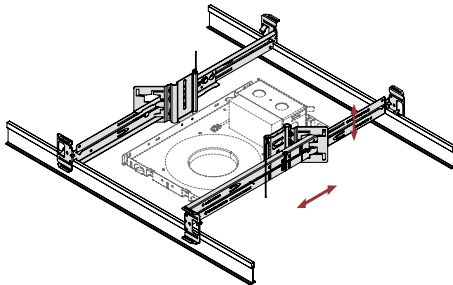
Adjustable Standard Bar hangers can be used in both commercial and residential applications and are adjustable to various heights in both Grid Ceiling and Drywall mounting. ASB hangers are less rigid and versatile than ACB hangers.

#### FMB - Flush Mount Bars



Flush Mount Bars are best used in residential applications, fitting snug to the surface and suitable for Wood, Metal, and Drywall mounting. The flush mounted bars are static and can't be adjusted.

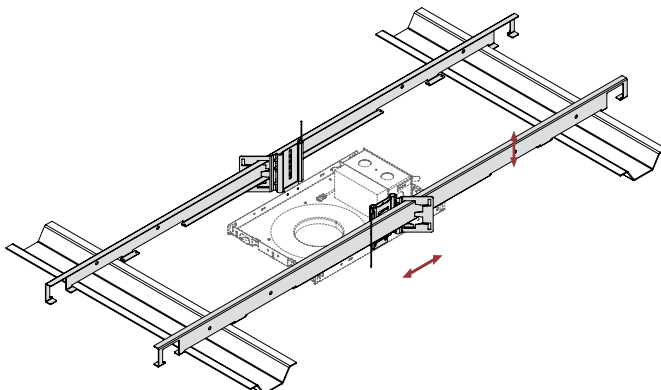
#### ACB - Adjustable Commercial Bar Hangers



Adjustable Commercial Bar hangers can be used in both commercial and residential applications and are by far the most versatile mounting bar we offer with its adjustability to various heights. ACB hangers are suitable for Grid Ceiling, Drywall, Metal, Wood and Frame mounting.

- Extremely rigid
- Fits into C-Channel notches in a Butterfly Bracket

#### AHC - Adjustable Hat Channel Bars



Adjustable Hat Channel bars can be used in both commercial and residential applications and come with a butterfly clip to adjust to various heights. AHC bars can be hung downward by 90 degrees in vertical position, and once wired, can be shifted onto the horizontal mounting plane. AHC bars are suitable for both Drywall and wood ceiling applications.

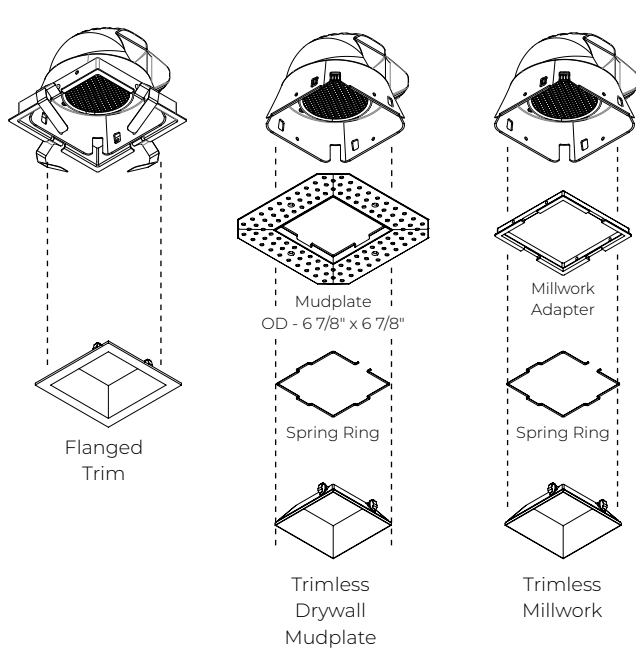
# AERA 4" MULTI-APERTURE



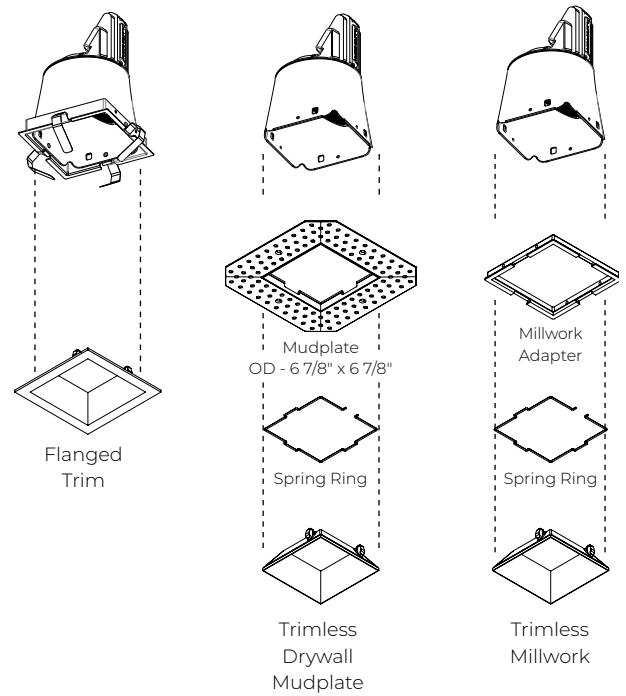
## SQUARE RECESSED NEW CONSTRUCTION

### Light & Baffle

#### RECESSED



#### RECESSED ADJUSTABLE



Bevel	
<p><b>TRM</b> Flanged Trim</p>	<p><b>TLMP/TLMW</b> Trimless Drywall Mudplate /Trimless Millwork</p>
<p>■ Baffle finish</p> <p>■ Trim flange finish</p>	

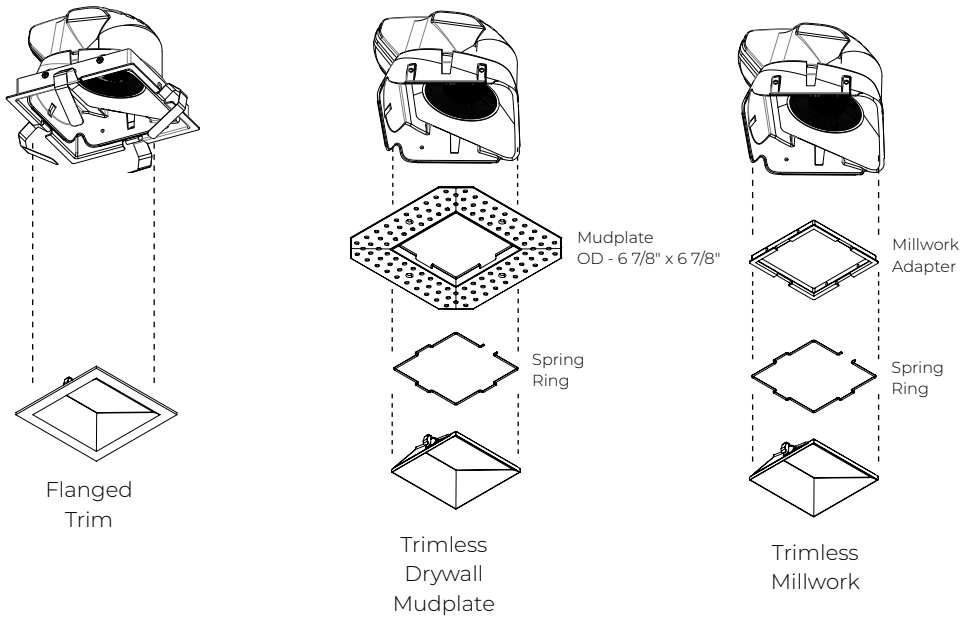
# AERA 4" MULTI-APERTURE



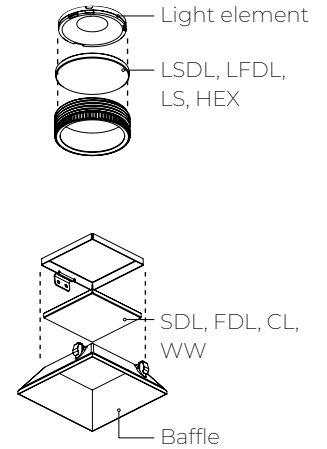
SQUARE RECESSED  
NEW CONSTRUCTION

Light & Baffle

## RECESSED WALL WASH



## LENS AND ACCESSORIES



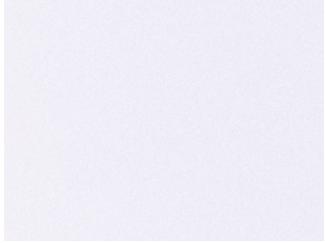
Wall Wash	
TRM Flanged Trim	TLMP/TLMW Trimless Drywall Mudplate /Trimless Millwork
<p>■ Baffle finish</p> <p>■ Trim flange finish</p>	

# AERA 4" MULTI-APERTURE



SQUARE RECESSED  
NEW CONSTRUCTION

## Finishes



**FTMW** - Matte white



**FTMB** - Matte black



**FSPC** - Satin silver



**FSSPC** - Matte silver



**FCHP** - Champagne



**FDBZ** - Dark bronze



**FPF** - Primer finish

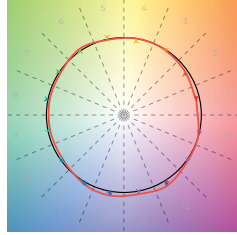
# AERA 4" MULTI-APERTURE



## SQUARE RECESSED NEW CONSTRUCTION

### Color Quality

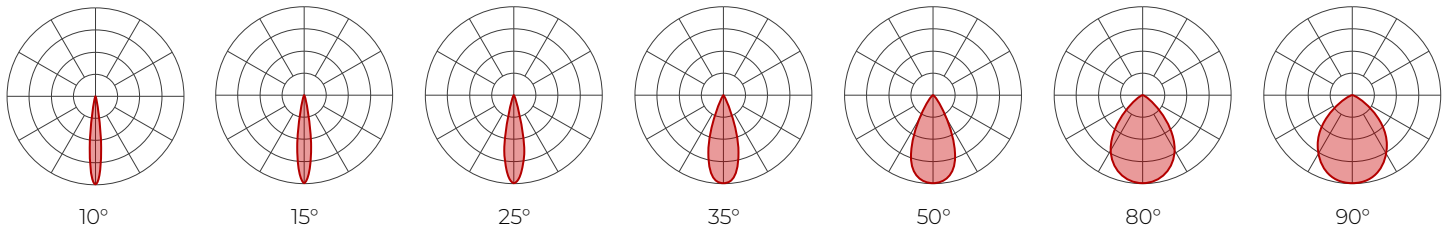
COLOR QUALITY - 3500K	
TM-30 R <sub>r</sub>	90
TM-30 R <sub>g</sub>	100
CRI	90+
R9	> 50



### Photometrics

#### RECESSED - STATIC WHITE

Values calculated based on 3500K, bevel baffle, and SDL lens option. All values are per light.



#### Delivered lumens (LM)

CRI	80+ CRI							90+ CRI							95+ CRI						
	BEAM	10°	15°	25°	35°	50°	80°	90°	10°	15°	25°	35°	50°	80°	90°	10°	15°	25°	35°	50°	80°
14 W	1347	1497	1538	1481	1451	1306	1306	1259	1399	1437	1384	1356	1220	1220	969	1077	1106	1066	1044	940	940
20 W	1880	2089	2146	2066	2026	1823	1823	1757	1952	2006	1931	1893	1704	1704	1353	1503	1545	1487	1458	1312	1312
28 W	2524	2804	2882	2775	2719	2447	2447	2359	2621	2693	2593	2541	2287	2287	1816	2018	2074	1997	1957	1761	1761

#### Efficacy (LM/W)

CRI	80+ CRI							90+ CRI							95+ CRI						
	BEAM	10°	15°	25°	35°	50°	80°	90°	10°	15°	25°	35°	50°	80°	90°	10°	15°	25°	35°	50°	80°
14 W	96	107	110	106	104	93	93	90	100	103	99	97	87	87	69	77	79	76	75	67	67
20 W	94	104	107	103	101	91	91	88	98	100	97	95	85	85	68	75	77	74	73	66	66
28 W	90	100	103	99	97	87	87	84	94	96	93	91	82	82	65	72	74	71	70	63	63

#### MULTIPLIERS

Please follow the multiplier tables to ensure correct lumen value. Beams, CCT, baffle styles, baffle colors, lensing and accessories will change the lumen value.

CCT		BAFFLE STYLE AND COLOR		LENS * (At baffle)		ACCESSORIES * (At light element)	
2200K	0.80	Flanged trim	1	SDL - Soft diffused lens, Solite	1	LSDL - Soft diffused lens, Solite	1
2400K	0.87	Trimless	1	FDL - Frosted lens	0.8	LFDL - Frosted lens	0.8
2700K	0.94	Bevel	1	CL - Clear lens	1.1	LS - Linear spread	0.84
3000K	0.98	Wet bevel	1	NOL - No lens	1.1	HEX - Hex louver	0.86
3500K	1	White	1	* When more than one lens or accessory is specified, multiply together the value of each lens and/or accessory. e.g. NOL + LSDL + LS = 1.1 x 1 x 0.84 = 0.924			
4000K	1.05	Black	1				
5000K	1.05						

For SOLA, please consult factory.

# AERA 4" MULTI-APERTURE

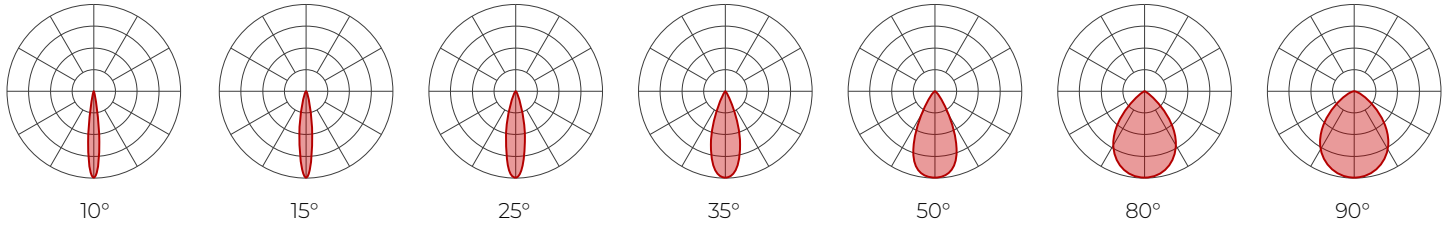


## SQUARE RECESSED NEW CONSTRUCTION

### Photometrics

#### RECESSED ADJUSTABLE - STATIC WHITE

Values calculated based on 3500K, bevel baffle, and SDL lens option. All values are per light.



#### Delivered lumens (LM)

BEAM	80+ CRI							90+ CRI							95+ CRI						
	10°	15°	25°	35°	50°	80°	90°	10°	15°	25°	35°	50°	80°	90°	10°	15°	25°	35°	50°	80°	90°
14 W	1181	1312	1348	1298	1272	1145	1145	1103	1226	1260	1213	1189	1070	1070	850	944	970	934	916	824	824
20 W	1693	1881	1932	1861	1823	1641	1641	1582	1758	1806	1739	1704	1534	1534	1219	1354	1391	1339	1312	1181	1181
28 W	2272	2524	2594	2498	2447	2202	2202	2123	2359	2424	2334	2287	2058	2058	1634	1816	1867	1797	1761	1585	1585

#### Efficacy (LM/W)

BEAM	80+ CRI							90+ CRI							95+ CRI						
	10°	15°	25°	35°	50°	80°	90°	10°	15°	25°	35°	50°	80°	90°	10°	15°	25°	35°	50°	80°	90°
14 W	84	94	96	93	91	82	82	79	88	90	87	85	76	76	61	67	69	67	65	59	59
20 W	85	94	97	93	91	82	82	79	88	90	87	85	77	77	61	68	70	67	66	59	59
28 W	81	90	93	89	87	79	79	76	84	87	83	82	74	74	58	65	67	64	63	57	57

#### MULTIPLIERS

Please follow the multiplier tables to ensure correct lumen value. Beams, CCT, baffle styles, baffle colors, lensing and accessories will change the lumen value.

CCT		BAFFLE STYLE AND COLOR		LENS * (At baffle)		ACCESSORIES * (At light element)	
2200K	0.80	Flanged trim	1	SDL - Soft diffused lens, Solite	1	LSDL - Soft diffused lens, Solite	1
2400K	0.87	Trimless	1	FDL - Frosted lens	0.8	LFDL - Frosted lens	0.8
2700K	0.94	Bevel	1	CL - Clear lens	1.1	LS - Linear spread	0.84
3000K	0.98	Wet bevel	1	NOL - No lens	1.1	HEX - Hex louver	0.86
3500K	1	White	1	* When more than one lens or accessory is specified, multiply together the value of each lens and/or accessory. e.g. NOL + LSDL + LS = 1.1 x 1 x 0.84 = 0.924			
4000K	1.05	Black	1				
5000K	1.05						

For SOLA, please consult factory.

# AERA 4" MULTI-APERTURE

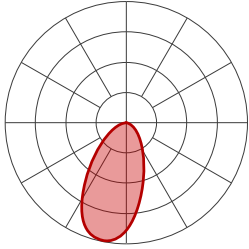


## SQUARE RECESSED NEW CONSTRUCTION

### Photometrics

#### RECESSED WALL WASH

Values calculated with white wall wash baffle, and based on 3500K for static white. All values are per light.



#### STATIC WHITE

CRI	80+ CRI		90+ CRI		95+ CRI	
	lm	lm/W	lm	lm/W	lm	lm/W
14 W	763	54	713	51	549	39
20 W	1216	61	1136	57	875	44
28 W	1632	58	1525	54	1174	42

#### MULTIPLIERS

Please follow the multiplier tables to ensure correct lumen value. CCT and baffle colors will change the lumen value.

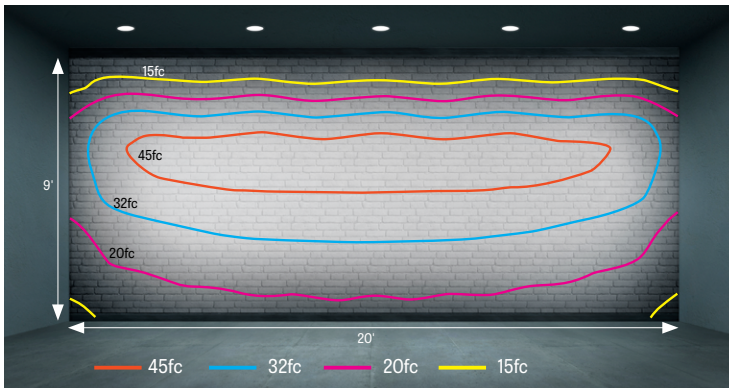
CCT		BAFFLE STYLE AND COLOR	
STATIC WHITE		Flanged trim	1
2200K	0.80	Trimless	1
2400K	0.87	White	1
2700K	0.94	Black	1
3000K	0.98		
3500K	1		
4000K	1.05		
5000K	1.05		

For SOLA, please consult factory.

#### UNIFORMITY

Values calculated based on 3500K and white wall wash baffle.

24" from Wall - 36" Spacing



#### Foot-candles

FC ON WALL	24" FROM WALL - 24" SPACING			24" FROM WALL - 36" SPACING			24" FROM WALL - 48" SPACING			24" FROM WALL - 60" SPACING		
	80+ CRI	90+ CRI	95+ CRI	80+ CRI	90+ CRI	95+ CRI	80+ CRI	90+ CRI	95+ CRI	80+ CRI	90+ CRI	95+ CRI
ABOVE FINISHED FLOOR												
9'	12	11	9	7	7	5	6	6	5	6	5	4
8'	54	51	39	33	31	24	28	27	20	26	25	19
7'	74	70	54	48	45	34	39	36	28	35	33	25
6'	65	61	47	43	40	31	33	31	24	29	27	21
5'	50	47	36	34	31	24	25	24	18	21	20	15
4'	39	36	28	26	25	19	20	18	14	16	15	12
3'	31	29	22	21	20	15	15	14	11	13	12	9
2'	26	24	18	18	16	13	13	12	9	11	10	8
1'	22	21	16	15	14	11	11	10	8	9	9	7

www.lumenwerx.com  
T (514) 225-4304

© Lumenwerx, ULC. All rights reserved.



Lumenwerx reserves the right to modify product specifications without notification.

AERA4-MULTI-APERTURE-SQUARE-SPEC-REV7 March 17, 2026

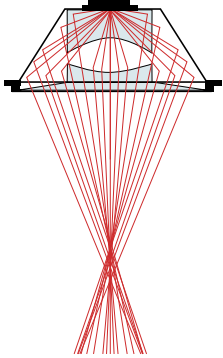
# AERA 4" MULTI-APERTURE

## SQUARE RECESSED NEW CONSTRUCTION

### Technical Specifications

#### OPTIC

XPoint™ Refraction Technology optics provide precise optical control in a remarkably compact form. Micro optical paths from the chip on board converge and then disperse in precise beam angles, resulting in a crisp and exacting light quality.



#### LIGHT SOURCE

##### Static white

Compact COB (Chip-On-Board) LED module, available in 2200K, 2400K, 2700K, 3000K, 3500K, 4000K, and 5000K with a choice of 80+ CRI, 90+ CRI, or 95+ CRI, with elevated R9 value for 90+ CRI and above. Color consistency is maintained to within 2 SDCM. All LEDs have been tested in accordance with IESNA LM-80-08 and the results have shown L80 lumen maintenance greater than 60,000 hours. Absolute product photometry is measured and presented in accordance with IESNA LM-79, unless otherwise indicated.

##### Full spectrum static white

The full spectrum LED option offers improved color particularly in the cyan region that is beneficial in both healthcare and circadian lighting strategies. The cyan region in full spectrum LED is richer at the 480 nm range.

##### Chromawerx SOLA

Chromawerx SOLA is single-channel control that dims output while warming the color temperature in a pre-determined relationship. Two color temperature range options are offered: 3000K to 1800K, and 2700K to 1800K. A simple analog control adjusts a specially populated LED array to emulate the effect of dimming a filament source.

#### ELECTRICAL

Unless otherwise specified, dimming down to 1%. At maximum driver load: efficiency > 84%, PF > 0.9, THD < 20%.

ELV and TRIAC dimming performance (including minimum dimming percentage) subject to dimmer selection.

**Integral:** 0-10V, ELV, TRIAC

**Remote:** 0-10V, ELV, TRIAC, Lutron Hi-Lume 1% EcoSystem, DALI, eldoLED 0.1% SOLOdrive 0-10V, eldoLED 1% ECOdrive 0-10V

**Emergency battery options:** Remotely-installed, long-life, high-temperature, maintenance-free, Bodine Lithium-Ion battery pack with self-test functionality, test switch and charge indicator. IOTA and Fulham options available upon request. Minimum of 90 minutes operation, and recharge time of 24 hours. For fixtures less than 10 W, the battery provides 6 W of emergency light output. For fixtures 10 W and over, the battery provides 10 W.

#### PoE

Depending on the PoE manufacturer selected, Lumenwerx will install the node in factory as either integral to the luminaire or as a remote module. Factory programming of the PoE node may or may not enable the following functionalities: lumen package, DUO (tunable white), QUADRO (RGBW), emergency battery backup, and sensor integration. These must be addressed and evaluated on a case-by-case basis.

#### CONSTRUCTION

##### Housing

For new construction, 20 gauge powder coated steel. Open frame, type-IC, or Chicago Plenum (CCEA) rated. 18 gauge galvanized steel junction box with ½" trade size knockouts. Adjustable standard, flush mount, adjustable commercial, and adjustable hat channel bar hangers are available as mounting options.

##### Light element

**Adjustability:** Hot aiming, 355° rotation and 35° vertical tilt with shift to ensure beam stays centered (Recessed Adjustable only).

**LED module:** Integral COB module. 90+ CRI and 2 SDCM, Standard with options of 80+ CRI, or 95+ CRI. L80 > 60,000 hours.

**XPoint™ Refraction Technology optic:** Micro optical paths from the chip on board converge and then disperse in precise beam angles, resulting in a crisp and exacting light quality.

**Thermal management:** Cold-forged aluminum heat sink to maximize thermal dissipation.

**Baffle:** Die-cast aluminum mounted with retaining spring clips

**Trim style:** Trimmed and trimless with mudplate or millwork adapter

**Finish:** Matte white, matte black, satin silver, matte silver, champagne, dark bronze, and primer finish. Custom colors also available (provide RAL #). For the primer finish option, fixture must be turned off and the lens masked before applying paint.

#### WEIGHT

	Open frame	Type-IC / Chicago Plenum
1 X 2	10.5 lbs - 4.8 kg	13.5 lbs - 6.1 kg
1 X 3	14.5 lbs - 6.6 kg	16.5 lbs - 7.5 kg
1 X 4	18.5 lbs - 8.4 kg	20.5 lbs - 9.3 kg
2 X 2	20.5 lbs - 9.3 kg	22.5 lbs - 10.2 kg

Lumenwerx reserves the right to modify product specifications without notification.  
AERA4-MULTI-APERTURE-SQUARE-SPEC-REV7 March 17, 2026

# AERA 4" MULTI-APERTURE

## SQUARE RECESSED NEW CONSTRUCTION

### LENS AND ACCESSORIES

#### Recessed / Recessed adjustable



Soft diffused lens, Solite



Frosted diffused lens



Clear lens



Linear spread



Hex louver

#### Recessed wall wash



Wall wash

### ENVIRONMENT

Ambient temperature at fixture location shall be within 0°C/32°F - 25°C/77°F, indoor dry or damp as well as outdoor damp use (canopies or marquees).

### CERTIFICATIONS

**ETL:** Rated for indoor dry/damp locations. Conforms to UL Standard 1598 and certified to CAN/CSA Standard C22.2 No. 250.0.

**IP44:** IP44 rated for bathrooms, showers, outdoor canopies, and marquees when specified with the wet location (WET) option.

**Chicago Plenum:** City of Chicago approved (CCEA) when specified with CP installation type option.

**IC rated:** Suitable for direct contact with insulation when specified with IC or CP installation type options.

**Declare:** [LBC Red List Approved](#)

### WARRANTY

Lumenwerx provides a five-year limited warranty on electrical and mechanical performance of the luminaires, including the LED boards, drivers, and auxiliary electronics. Lumenwerx will repair or replace defective luminaires or components at our discretion, provided they have been installed and operated in accordance with our specifications. Other limitations apply, please refer to the full warranty on our website.