

AERA 4 SEAL CYLINDER

Pendant

This product must be installed in accordance with the National Electrical Code and all applicable local codes, by a person familiar with the construction and operation of the product, and the hazards involved. Proper grounding is required for safety.

Ce produit doit être installé suivant le code national de l'électricité, ainsi que tous les codes locaux applicables, par une personne familière avec la construction et le fonctionnement du produit, ainsi que tous les risques qui y sont associés. La mise à terre électrique est obligatoire pour la sécurité.

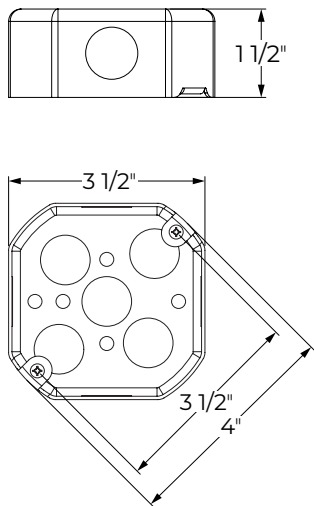
Wire dimming conductors as Class 1.

For electrical connections, please refer to the [wiring diagram guide](#).



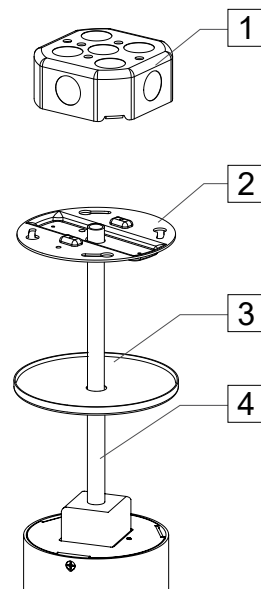
OVERVIEW

Junction box (by others)

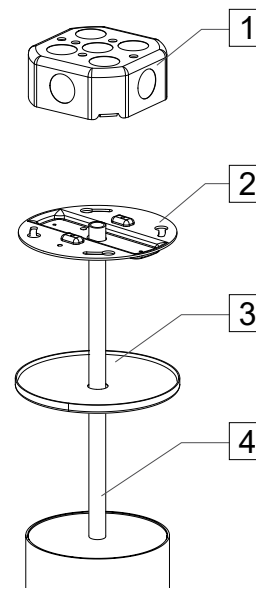


Standard 4" octagonal junction box

DIRECT

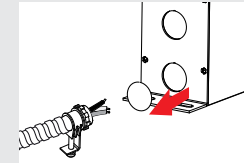


DIRECT/INDIRECT



1	Junction box (by others)
2	Mounting plate
3	Flat canopy
4	Stem

For remote driver box, please refer to the [remote driver installation sheet](#) for more information.



AERA 4 SEAL CYLINDER

Pendant

Shown with Direct/Indirect option, applies to Direct too.

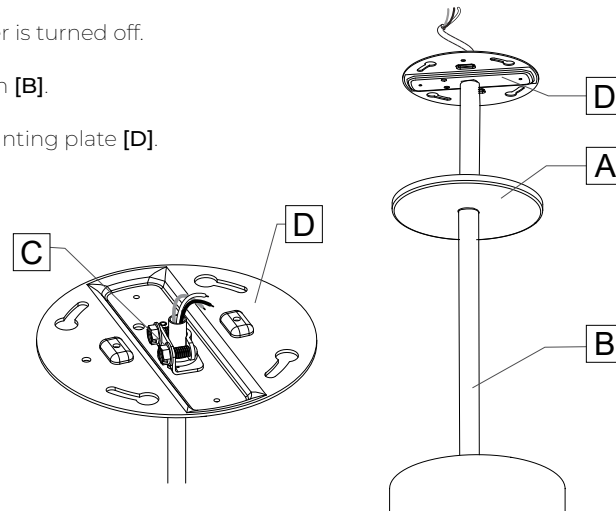
FLAT CANOPY

1 FIX STEM INTO MOUNTING PLATE.

Caution: Make sure the electrical power is turned off.

Lower the canopy [A] through the stem [B].

Tighten the cord grip [C] onto the mounting plate [D].

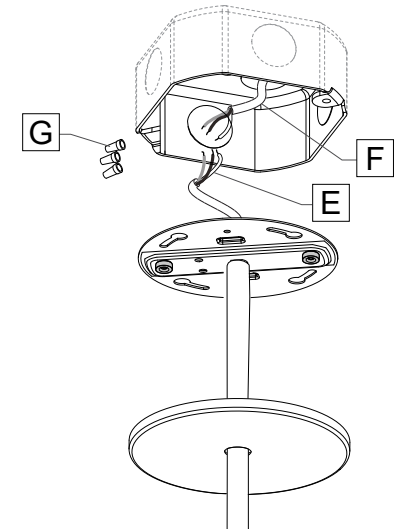


2 MAKE ELECTRICAL CONNECTIONS.

Make electrical connections between the fixture cable [E] and the main power [F] using wire nuts [G] (by others).

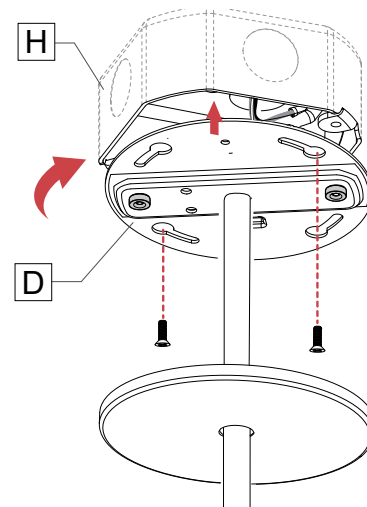
Warning: A luminaire with more than one power supply connection means shall be connected to only one branch circuit

Note: Number of wires may vary.



3 FIX MOUNTING PLATE.

Raise the fixture and mount the mounting plate [D] on the junction box [H], rotate it and secure it to the ceiling by tightening with screws (by others).



4 MOUNT CANOPY.

Slide the canopy [A] up to secure it in place with the provided magnets [I].

