

# AERA 4" SEAL CYLINDER



WALL

DIRECT/INDIRECT, DIRECT, INDIRECT



8" Height

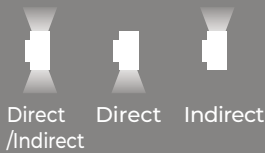


10" Height



12" Height

## Distributions



## Mounting Options

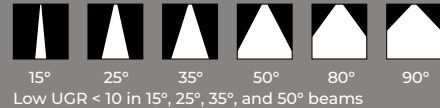


## Certification

IP66

The Aera 4" Seal Cylinder, available as a pendant, surface, or wall mounted luminaire, takes the Aera family's clean esthetic and performance assets to wet locations and outdoor environments, delivering lighting that's visually comfortable with minimal glare.

## Beam Angles



## Performance

LUMEN OUTPUT <sup>1</sup>	WATTS	EFFICACY
1308 lm	14 W	93 lm/W
1824 lm	20 W	91 lm/W
2450 lm	28 W	87 lm/W

<sup>1</sup>Lumen packages are assuming 3500K, 80+ CRI, 25° beam, gasketed bevel baffle, LSDL lens option.

## Light Source

Static White  
SOLA - Dim-to-Warm  
DUO - Tunable White



## COB

2 Step Color Binning  
Up to 95+ CRI

## Driver

1%, 0.1% Dimming Available  
0-10V, TRIAC, ELV, Lutron EcoSystem, DALI, DMX  
Emergency Battery (optional)

## Aera Family (Refer to other spec sheets)

### Downlight



2" / 3" / 4"  
Round / Square  
Recessed Adjustable



2" / 3" / 4"  
Round / Square  
Recessed



2" / 3" / 4"  
Round / Square  
Recessed Wall Wash

### Multi-aperture



2" / 3" / 4"  
Round / Square  
Recessed Adjustable



2" / 3" / 4"  
Round / Square  
Recessed



2" / 3" / 4"  
Round / Square  
Recessed Wall Wash

### Cylinder



2" / 3" / 4" / 5"  
4" Seal  
Pendant



2" / 3" / 4" / 5"  
4" Seal  
Wall



2" / 3" / 4" / 5"  
4" Seal  
Surface  
Surface Asymmetric  
Surface Wall Wash

# AERA 4" SEAL CYLINDER



WALL

DIRECT/INDIRECT, DIRECT, INDIRECT

Project: \_\_\_\_\_

Type: \_\_\_\_\_

## Order Guide

LUMINAIRE ID	DISTRIBUTION	ENVIRONMENT	CYLINDER HEIGHT		CYLINDER FINISH <sup>3</sup>	BAFFLE STYLE	BAFFLE FINISH
<b>AE4SEALCYW</b>						<b>BVLG</b>	
<b>AE4SEALCYW</b> <sup>1</sup> - Aera 4" Seal Cylinder Wall  <sup>1</sup> IP66 rated gasketed construction with an additional clear tempered glass lens.	<b>DI</b> - Direct/Indirect <b>D</b> - Direct <b>I</b> - Indirect	<b>STR</b> - Standard temperature range, 0°C to 25°C (32°F to 77°F) <b>ETR</b> - Extended temperature range, -30°C to 40°C (-22°F to 104°F)	<b>DIRECT/INDIRECT</b>  <b>10IN</b> - 10" <b>12IN</b> - 12" <b>14IN</b> - 14"  <b>CH#IN</b> <sup>2</sup> - Custom height	<b>DIRECT OR INDIRECT</b>  <b>8IN</b> - 8" <b>10IN</b> - 10" <b>12IN</b> - 12"	<b>FTMWE</b> - Textured matte white exterior finish <b>FTMBE</b> - Textured matte black exterior finish  <sup>3</sup> Consult factory for custom exterior finishes.	<b>BVLG</b> - Gasketed beveled	<b>FTMW</b> - Textured matte white <b>FTMB</b> - Textured matte black <b>FSSPC</b> - Specular <b>FSSPC</b> - Semi-specular <b>CF#</b> - Custom finish, specify RAL#
			<sup>2</sup> Specify height (#) in 1" increments only. Up to maximum 14".				

LIGHT SOURCE	DIRECT BEAM Specify NA for Indirect	INDIRECT BEAM Specify NA for Direct	COLOR QUALITY	CRI	COLOR TEMP.	ACCESSORY <sup>6</sup> See page 3 for details	VOLTAGE
<b>SW</b> - Static white  <b>SOLA</b> - Dim-to-warm single channel control <b>DUO</b> - Tunable white 2-channel control	<b>15DEG</b> - 15° Narrow spot <b>25DEG</b> - 25° Spot <b>35DEG</b> - 35° Narrow flood <b>50DEG</b> - 50° Wide flood <b>80DEG</b> - 80° Very wide flood <b>90DEG</b> - 90° Open flood <b>NA</b> - Not applicable	<b>15DEG</b> - 15° Narrow spot <b>25DEG</b> - 25° Spot <b>35DEG</b> - 35° Narrow flood <b>50DEG</b> - 50° Wide flood <b>80DEG</b> - 80° Very wide flood <b>90DEG</b> - 90° Open flood <b>NA</b> - Not applicable	<b>2STP</b> - 2 Step MacAdam Ellipse <b>3STP</b> - 3 Step MacAdam Ellipse	<b>90CRI</b> - 90+ CRI <b>95CRI</b> - 95+ CRI <b>80CRI</b> - 80+ CRI	<b>27K</b> - 2700K <b>30K</b> - 3000K <b>35K</b> - 3500K <b>40K</b> - 4000K  <b>SOLA</b> <sup>4</sup> - Dim-to-warm single channel control <b>DUO</b> <sup>5</sup> - Tunable white 2-channel control  <sup>4</sup> 3500K to 2200K <sup>5</sup> 6500K to 2700K	<b>At light element</b> (choose up to 1 option)  <b>LSDL</b> - Soft diffused lens, Solite <b>LFDL</b> - Frosted diffused lens <b>HEX</b> <sup>7</sup> - Hex louver <b>NA</b> - None  <sup>6</sup> For SOLA/DUO, one of the following lenses must be specified: LSDL or LFDL. <sup>7</sup> Not available with 80°/90° beam options. Not available with extended temperature range option (ETR).	<b>120V</b> - 120V <b>277V</b> - 277V <b>UNV</b> - 120V-277V <b>347V</b> <sup>8</sup> - 347V  <sup>8</sup> Available with RD1 driver only. Please consult factory.
			<b>3STP</b> - 3 Step MacAdam Ellipse	<b>90CRI</b> - 90+ CRI			

DIRECT WATTAGE Specify NA for Indirect	INDIRECT WATTAGE Specify NA for Direct	DIMMING <sup>12</sup>	
<b>14W</b> - 14 W output, up to 1308 lm <b>20W</b> - 20 W output, up to 1824 lm <b>28W</b> <sup>9,10</sup> - 28 W output, up to 2450 lm <b>NA</b> - Not applicable	<b>14W</b> <sup>11</sup> - 14 W output, up to 1308 lm <b>20W</b> <sup>10</sup> - 20 W output, up to 1824 lm <b>NA</b> - Not applicable	<b>INTEGRAL</b>  <b>DI</b> - 1% 0-10V <b>ELV</b> <sup>13</sup> - ELV 120V <b>TRI</b> <sup>13</sup> - TRIAC 120V  <sup>12</sup> PoE (Power-over-Ethernet) compatible. Consult factory for details. <sup>13</sup> Available with 120V only.	<b>REMOTE</b> <sup>14,15</sup>  <b>RD1</b> - 1% 0-10V <b>RELV</b> <sup>16</sup> - ELV 120V <b>RTRI</b> <sup>16</sup> - TRIAC 120V <b>RLDEI</b> <sup>17</sup> - Lutron Hi-lume 1% Eco <b>RDA</b> <sup>17</sup> - DALI <b>RELD1</b> - eldoLED 1% ECOdrive 0-10V <b>RELDO</b> - eldoLED 0.1% SOLOdrive 0-10V <b>+EB</b> <sup>18</sup> - Emergency battery  <sup>14</sup> A remote driver box is provided, see page 4 for details. <sup>15</sup> The remote driver box must be installed in dry/damp environments with ambient temperatures of 0°C to 25°C (32°F to 77°F). <sup>16</sup> Available with 120V only. <sup>17</sup> On-site commissioning is required. <sup>18</sup> For emergency battery, code will be like the following example: RD1+EB.
<b>SOLA</b> <b>25W</b> - 25 W output, up to 1400 lm  <b>DUO</b> <b>19W</b> - 19 W output, up to 1100 lm	<b>SOLA</b> <b>25W</b> - 25 W output, up to 1400 lm  <b>DUO</b> <b>19W</b> - 19 W output, up to 1100 lm	<b>SOLA</b> <b>SD1</b> - Single 0-10V input <b>SELV</b> <sup>13</sup> - ELV 120V <b>STRI</b> <sup>13</sup> - TRIAC 120V	<b>SOLA</b> <b>RSD1</b> - Single 0-10V input <b>RSELV</b> <sup>16</sup> - ELV 120V <b>RSTRI</b> <sup>16</sup> - TRIAC 120V  <b>DUO</b> <b>RDMX</b> <sup>17</sup> - DMX <b>RDDA</b> <sup>17</sup> - DALI DT6 <b>RDDA8</b> <sup>17</sup> - DALI DT8 <b>RDD1</b> - Dual 0-10V input for CCT/intensity <b>RLD2</b> <sup>17</sup> - Lutron DALI-2 digital
<b>NA</b> - Not applicable	<b>NA</b> - Not applicable		

ELECTRICAL	MOUNTING TYPE	MOUNTING FINISH <sup>20, 21</sup>
<b>1C</b> - 1 circuit <b>2C</b> <sup>19</sup> - 2 circuits  <sup>19</sup> Available with DI and remote driver only.	<b>FLS</b> - Flat square canopy, 4" octagonal junction box <b>DM</b> - Direct mount	<b>FTMWE</b> - Textured matte white exterior finish <b>FTMBE</b> - Textured matte black exterior finish  <sup>20</sup> Direct mount finish matches cylinder finish. <sup>21</sup> Consult factory for custom exterior finishes.

# AERA 4" SEAL CYLINDER



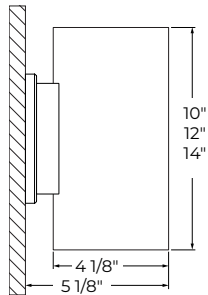
WALL

DIRECT/INDIRECT, DIRECT, INDIRECT

## Dimensions

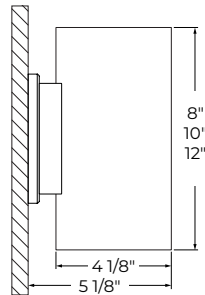
### CYLINDER

Direct/Indirect <sup>1</sup>



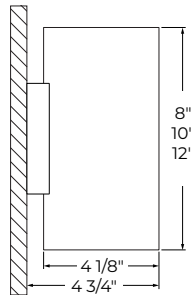
Flat square canopy <sup>2</sup>

Direct <sup>1</sup>



Flat square canopy <sup>2</sup>

Indirect <sup>1</sup>

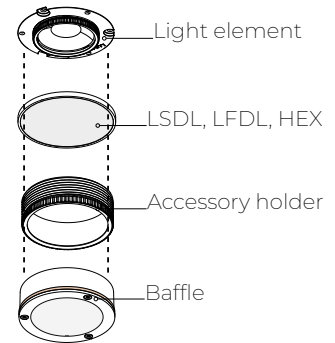


Direct mount <sup>2</sup>

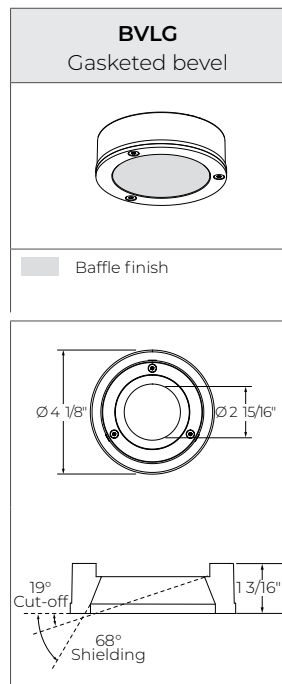
<sup>1</sup>Certain restrictions apply. See page 2 for the height options available with integral and remote.

<sup>2</sup>Flat square canopy and direct mount options are available with all Direct/Indirect, Direct and Indirect.

## Accessories



### BAFFLE



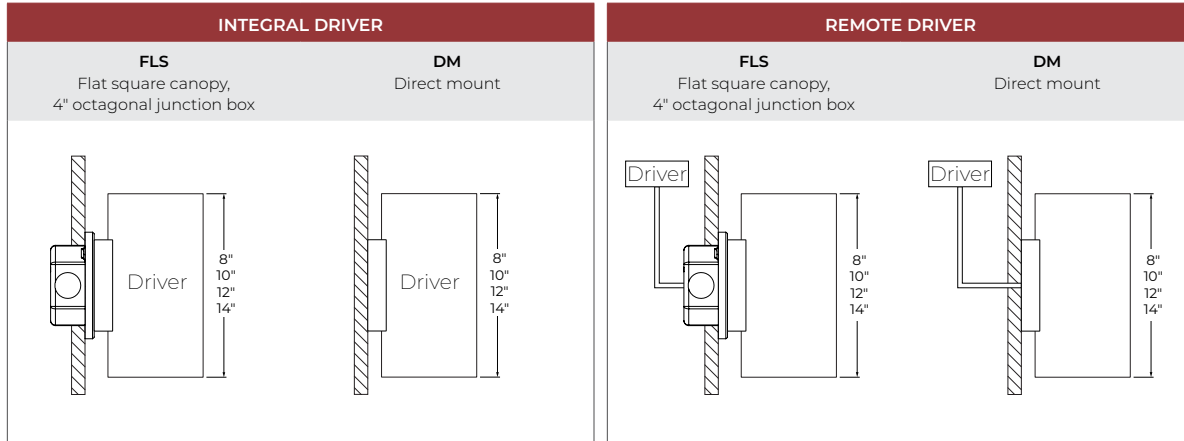
# AERA 4" SEAL CYLINDER



WALL

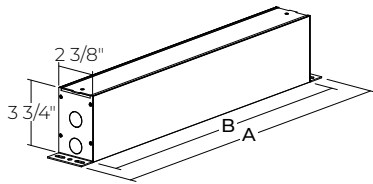
DIRECT/INDIRECT, DIRECT, INDIRECT

## Mounting

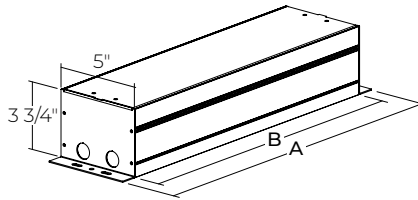


## REMOTE DRIVER BOX

RDB8 / RDB18 / RDB24



RDB24W



	RDB8	RDB18	RDB24	RDB24W
<b>A</b>	10"	20"	26"	26"
<b>B</b>	8"	18"	24"	24"
<b>DRIVER</b>	<b>RD1</b> - 1% 0-10V <b>RELV</b> - ELV 120V <b>RTRI</b> - TRIAC 120V  <b>SOLA</b> <b>RSD1</b> - Single 0-10V input <b>RSELV</b> - ELV 120V <b>RSTRI</b> - TRIAC 120V	<b>RLDE1</b> - Lutron Hi-lume 1% Eco <b>RDA</b> - DALI <b>RELD1</b> - eldoLED 1% ECOdrive 0-10V <b>RELD0</b> - eldoLED 0.1% SOLOdrive 0-10V	Emergency battery (+EB) with the following driver options. <b>RD1+EB</b> - 1% 0-10V <b>RELV+EB</b> - ELV 120V <b>RTRI+EB</b> - TRIAC 120V  <b>DUO</b> <b>RDMX</b> - DMX <b>RDDA</b> - DALI DT6 <b>RDDA8</b> - DALI DT8 <b>RDD1</b> - Dual 0-10V input for CCT/intensity <b>RLD2</b> - Lutron DALI-2 digital	Emergency battery (+EB) with the following driver options. <b>RLDE1+EB</b> - Lutron Hi-lume 1% Eco <b>RDA+EB</b> - DALI <b>RELD1+EB</b> - eldoLED 1% ECOdrive 0-10V <b>RELD0+EB</b> - eldoLED 0.1% SOLOdrive 0-10V

# AERA 4" SEAL CYLINDER



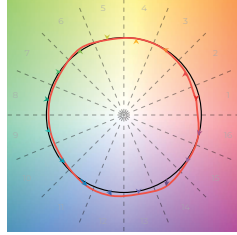
WALL

DIRECT/INDIRECT, DIRECT, INDIRECT

## Color Quality

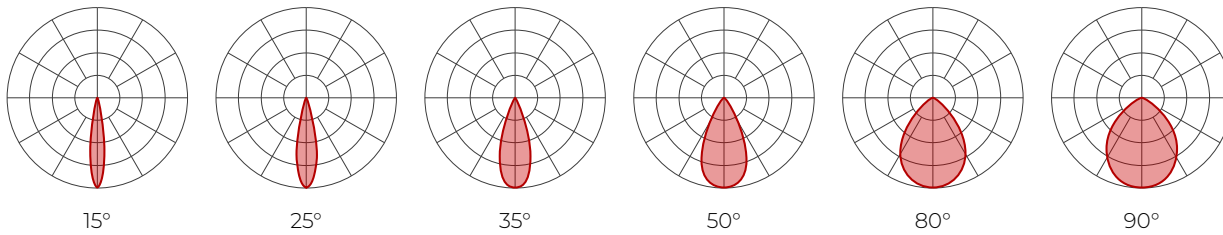
### COLOR QUALITY - 3500K

TM-30 R <sub>r</sub>	90
TM-30 R <sub>g</sub>	100
CRI	90
R9	> 50



## Photometrics

Values calculated based on 3500K, gasketed bevel baffle, and SDL lens option. Performance values apply to both Direct and Indirect (28 W is not available for Indirect).



### Delivered lumens

CRI	90+ CRI						95+ CRI						80+ CRI					
	15°	25°	35°	50°	80°	90°	15°	25°	35°	50°	80°	90°	15°	25°	35°	50°	80°	90°
14 W	1189	1221	1177	1153	1037	1037	915	940	906	887	799	799	1272	1308	1259	1234	1110	1110
20 W	1659	1705	1641	1610	1449	1449	1278	1313	1264	1239	1115	1115	1776	1824	1756	1722	1549	1549
28 W	2228	2290	2204	2160	1944	1944	1716	1763	1697	1663	1497	1497	2383	2450	2358	2311	2080	2080

### Efficacy

CRI	90+ CRI						95+ CRI						80+ CRI					
	15°	25°	35°	50°	80°	90°	15°	25°	35°	50°	80°	90°	15°	25°	35°	50°	80°	90°
14 W	85	87	84	82	74	74	65	67	64	64	57	57	91	93	90	88	79	79
20 W	83	85	82	81	73	73	64	65	63	62	56	56	88	91	87	86	77	77
28 W	80	82	79	77	70	70	61	63	61	59	53	53	85	87	84	82	74	74

### MULTIPLIERS

Please follow the multiplier tables to ensure correct lumen value. Beams, CCT, baffle colors and accessories will change the lumen value.

CCT	BAFFLE COLOR	ACCESSORIES		
2700K	Gasketed bevel	Soft diffused lens, Solite		
3000K			White	1
3500K			Black	1
4000K				
		Frosted lens		
		Hex louver		

For SOLA and DUO, please consult factory.

### DIRECT/INDIRECT - EFFICACY CALCULATION

For Direct/Indirect performance values, follow the formula.

$$\frac{\left( \begin{matrix} \text{DIRECT} \\ \text{DELIVERED LM} \end{matrix} + \begin{matrix} \text{INDIRECT} \\ \text{DELIVERED LM} \end{matrix} \right)}{\left( \begin{matrix} \text{DIRECT} \\ \text{WATTAGE} \end{matrix} + \begin{matrix} \text{INDIRECT} \\ \text{WATTAGE} \end{matrix} \right)} = \text{EFFICACY}$$

# AERA 4" SEAL CYLINDER



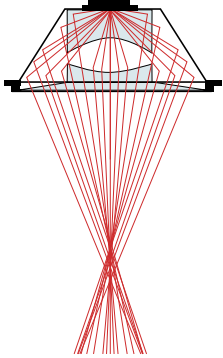
WALL

DIRECT/INDIRECT, DIRECT, INDIRECT

## Technical Specifications

### OPTIC

XPoint™ Refraction Technology optics provide precise optical control in a remarkably compact form. Micro optical paths from the chip on board converge and then disperse in precise beam angles, resulting in a crisp and exacting light quality.



### LIGHT SOURCE

#### Static white

Compact COB (Chip-On-Board) LED module, available in 2700K, 3000K, 3500K and 4000K with a choice of 80+ CRI, 90+ CRI, or 95+ CRI, with elevated R9 value for 90+ CRI and above. Color consistency is maintained to within 2 SDCM. All LEDs have been tested in accordance with IESNA LM-80-08 and the results have shown L80 lumen maintenance greater than 60,000 hours. Absolute product photometry is measured and presented in accordance with IESNA LM-79, unless otherwise indicated.

#### Chromawerx SOLA

Chromawerx SOLA is single-channel control that dims output while warming the color temperature in a pre-determined relationship. A simple analog control adjusts a specially populated LED array to emulate the effect of dimming a filament source.

#### Chromawerx DUO

Chromawerx DUO offers a two-channel control system which uses analog or digital protocols for synchronous control of both cool (6500K) to warm (2700K) LED arrays - maintaining a CRI above 90. The range of color DUO offers is useful for entraining circadian rhythms, stimulating alertness, and compensating for jet lag among other applications. The Chromawerx drivers are programmed to limit maximum light output and power usage across all color temperatures. When paired with DALI drivers (DDA/DDA8), color tuning follows a linear dimming curve.

### ELECTRICAL

Unless otherwise specified, dimming down to 1%. At maximum driver load: efficiency>84%, PF>0.9, THD<20%.

**Integral:** 0-10V, ELV, TRIAC

**Remote:** 0-10V, ELV, TRIAC, Lutron Hi-Lume 1% EcoSystem, DALI, eldoLED 0.1% SOLOdrive 0-10V, eldoLED 1% ECOdrive 0-10V, DMX, Lutron DALI-2 digital

**Emergency battery option:** Remotely-installed, long-life, high-temperature, maintenance-free, Bodine Lithium-Ion battery pack with self-test functionality, test switch and charge indicator. IOTA and Fulham options available upon request. Minimum of 90 minutes operation, and recharge time of 24 hours. For fixtures less than 10 W, the battery provides 6 W of emergency light output. For fixtures 10 W and over, the battery provides 10 W.

### PoE

Depending on the PoE manufacturer selected, Lumenwerx will install the node in factory as either integral to the luminaire or as a remote module. Factory programming of the PoE node may or may not enable the following functionalities: lumen package, DUO (tunable white), QUADRO (RGBW), emergency battery backup, and sensor integration. These must be addressed and evaluated on a case-by-case basis.

### CONSTRUCTION

**Housing:** Extruded aluminum

**Canopy:** Flat and direct

**Arm:** Machined aluminum

**Finish:** Textured matte white and black. Custom colors also available (provide RAL #). Specular and semi-specular finishes are also available for Baffle.

**Heat sink:** Die-cast aluminum

**Baffle:** Die-cast aluminum

**Baffle style:** Gasketed bevel

### WEIGHT

Direct/Indirect	Direct or Indirect
10": 6.5 lbs - 2.9 kg	8": 4.4 lbs - 2.0 kg
12": 7.8 lbs - 3.5 kg	10": 5.5 lbs - 2.5 kg
14": 9.1 lbs - 4.1 kg	12": 6.6 lbs - 3.0 kg

### ACCESSORIES



Soft diffused lens, Solite



Frosted diffused lens



Hex louver

# AERA 4" SEAL CYLINDER



## WALL

DIRECT/INDIRECT, DIRECT, INDIRECT

### ENVIRONMENT

For the standard temperature range (STR) option, ambient temperature at fixture location shall be within 0°C/32°F to 25°C/77°F.

For the extended temperature range (ETR) option, ambient temperature at fixture location shall be within -30°C/-22°F to 40°C/104°F.

### CERTIFICATION

**ETL:** Suitable for wet locations. Conforms to UL Standard 1598 and certified to CAN/CSA Standard C22.2 No. 250.0.

### WARRANTY

Lumenwerx provides a five-year limited warranty of electrical and mechanical performance of the luminaires, including the LED boards, drivers, and auxiliary electronics. Lumenwerx will repair or replace defective luminaires or components at our discretion, provided they have been installed and operated in accordance with our specifications. Other limitations apply, please refer to the full warranty on our website.