


ARQ ACOUSTIX


Pendant - Flat Canopy





INSTALLATION INSTRUCTIONS


 This product must be installed in accordance with the National Electrical Code and all applicable local codes, by a person familiar with the construction and operation of the product, and the hazards involved. Proper grounding is required for safety.

Ce produit doit être installé suivant le code national de l'électricité, ainsi que tous les codes locaux applicables, par une personne familière avec la construction et le fonctionnement du produit, ainsi que tous les risques qui y sont associés. La mise à terre électrique est obligatoire pour la sécurité.


 Disconnect power before installation or servicing.

 Wire dimming conductors as Class 1.

 A luminaire with more than one power supply connection means shall be connected to only one branch circuit.

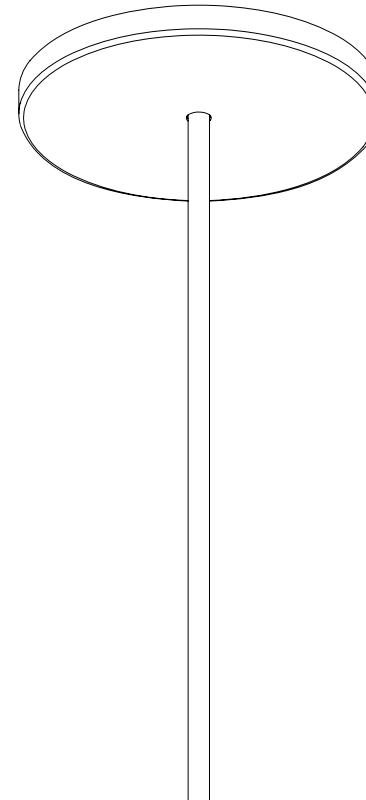
 For electrical connections, please refer to the [wiring diagram guide](#).



 For remote driver box installation instructions, please refer to the [remote driver installation sheet](#).



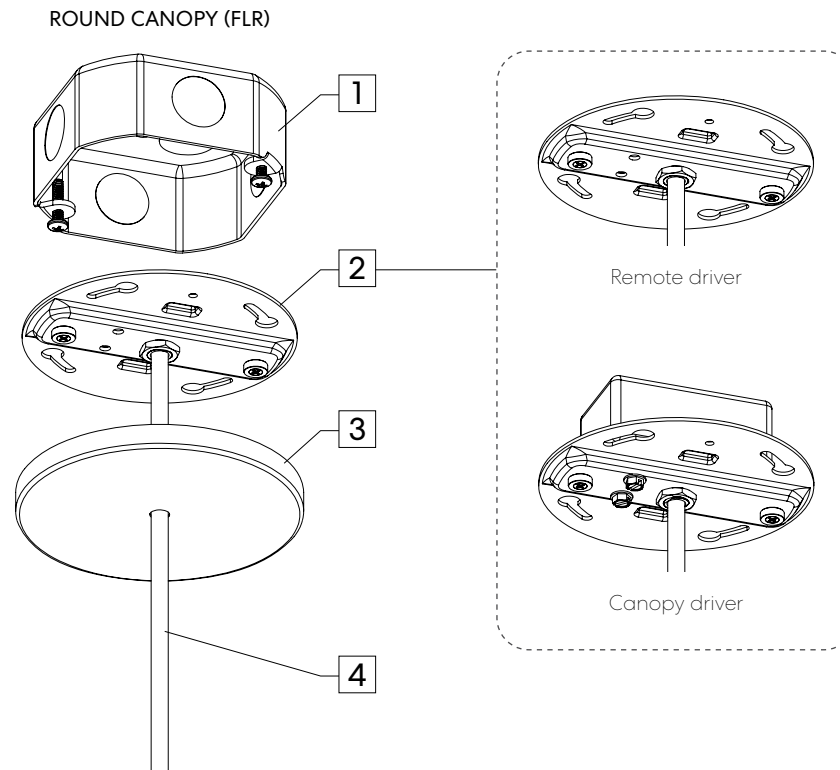
POWER CORD



ARQ ACOUSTIX

Pendant - Flat Canopy

POWER CORD



ITEMS LIST

1	Standard J-box (by others)
2	Mounting plate
3	Flat canopy
4	Power cord

TOOLS REQUIRED

- Flat head screwdriver
- Phillips screwdriver
- Power cord cutter (as required)
- Wire stripper (as required)

CANOPY SIZE

ROUND	Ø 4 1/2" Height 3/8"
--------------	-------------------------

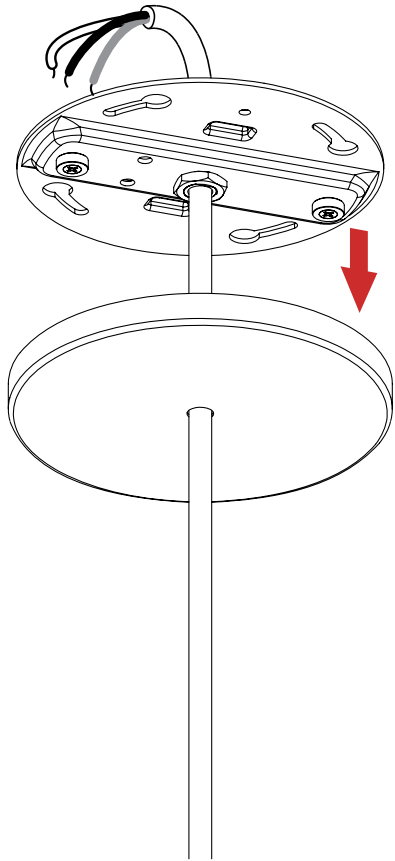
ARQ ACOUSTIX

Pendant - Flat Canopy



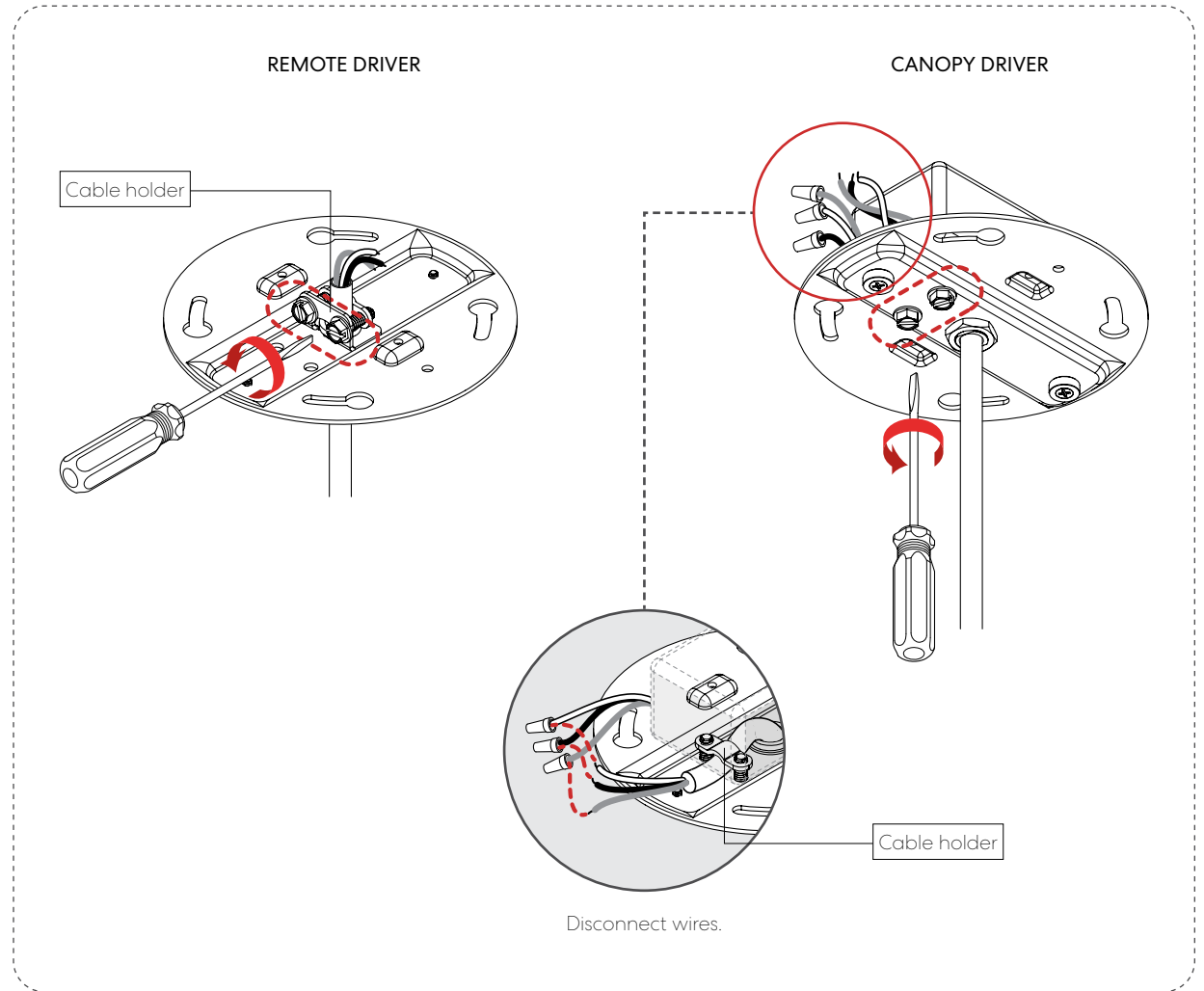
POWER CORD

1 DETACH CANOPY.



2 ADJUST POWER CORD LENGTH. **OPTIONAL**

2-1 Untighten the cable holder.



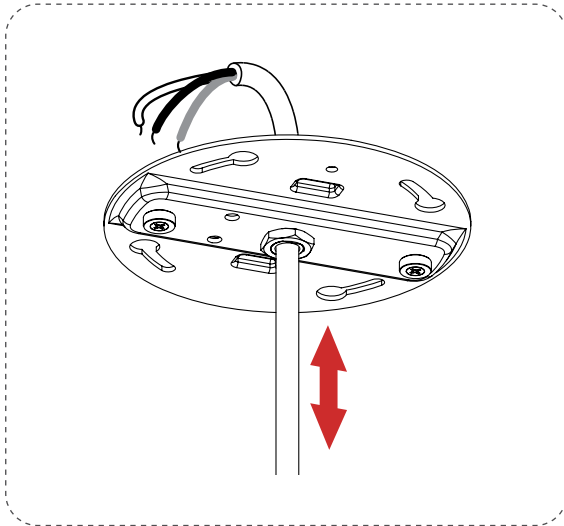
ARQ ACOUSTIX

Pendant - Flat Canopy

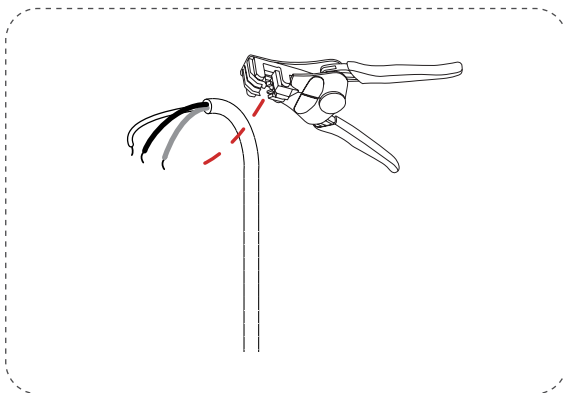
POWER CORD

2 ADJUST POWER CORD LENGTH. OPTIONAL

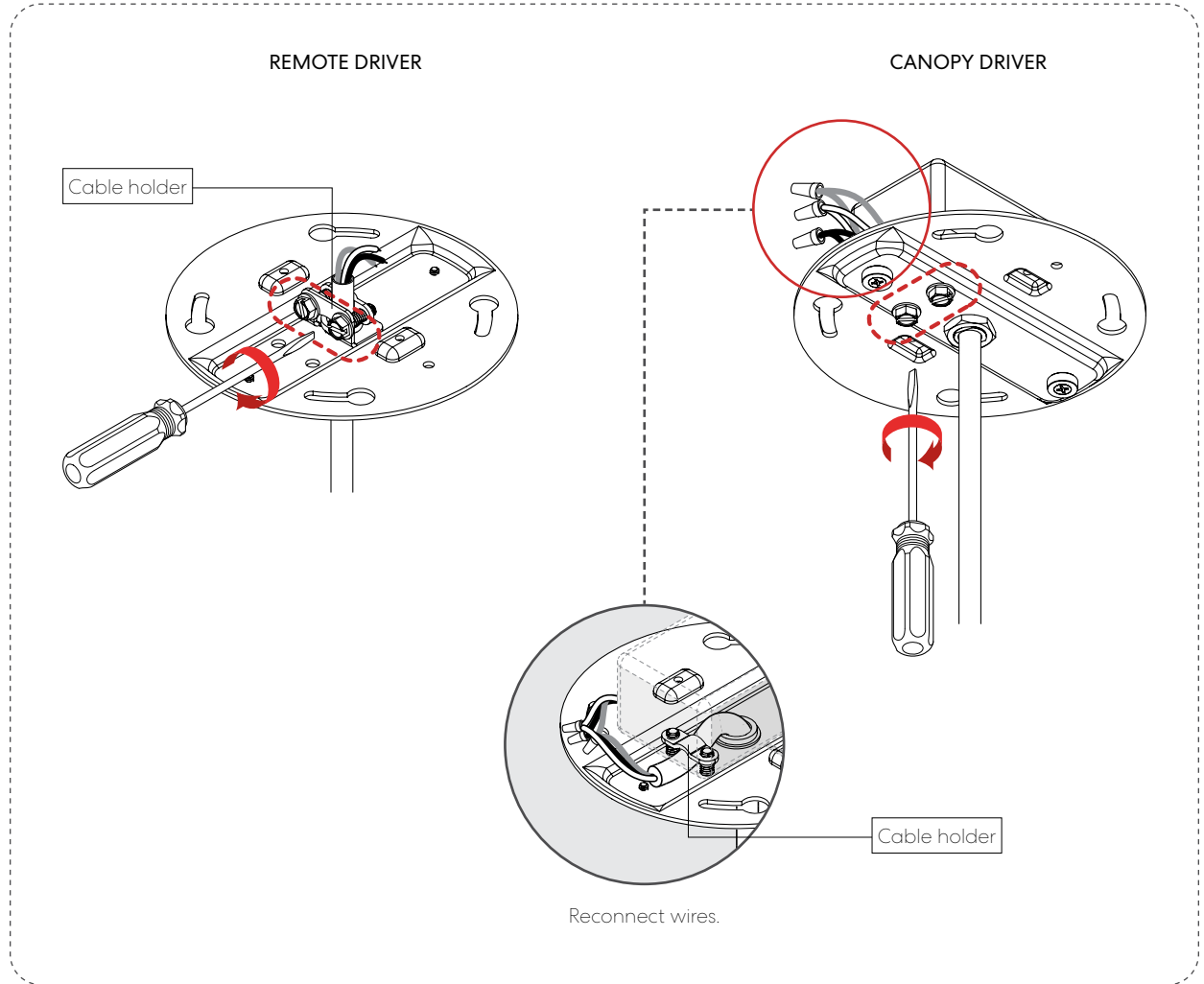
2-2 Adjust power cord length.



2-3 Cut the excess power cord.



2-4 Tighten the cable holder.

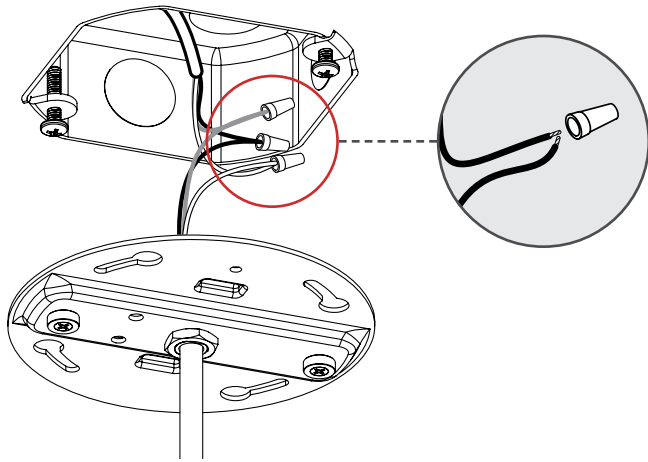


ARQ ACOUSTIX

Pendant - Flat Canopy

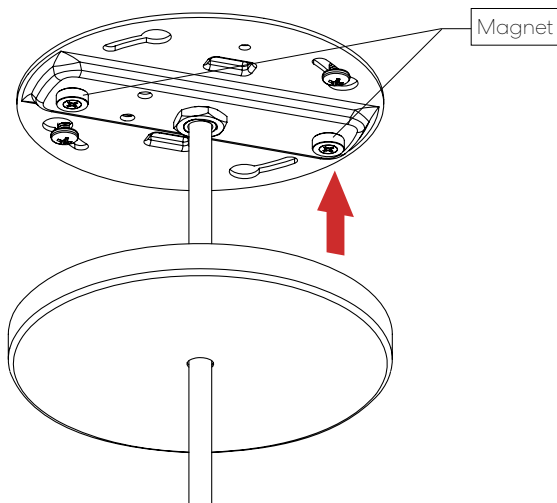
POWER CORD

3 MAKE ELECTRICAL CONNECTIONS.



Note: Number of wires may vary.

5 MOUNT CANOPY.



4 FIX MOUNTING PLATE.

