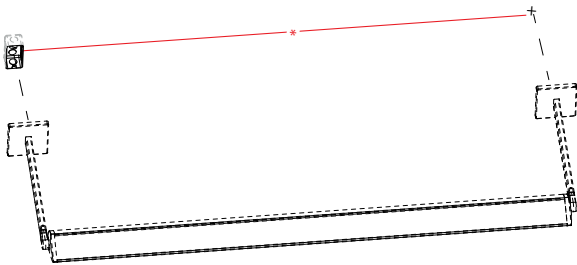


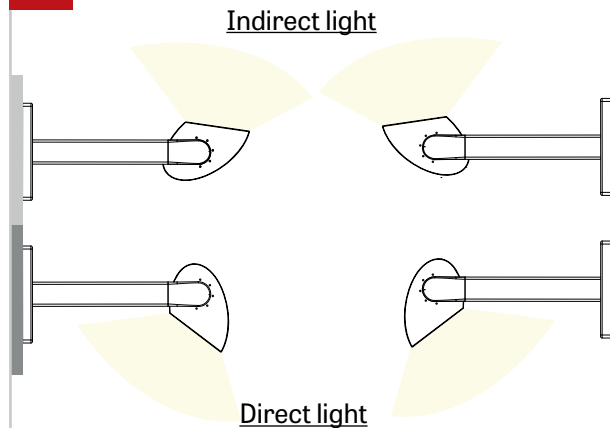
NOTE: Wire dimming conductors as Class 1

1 SINGLE FIXTURE



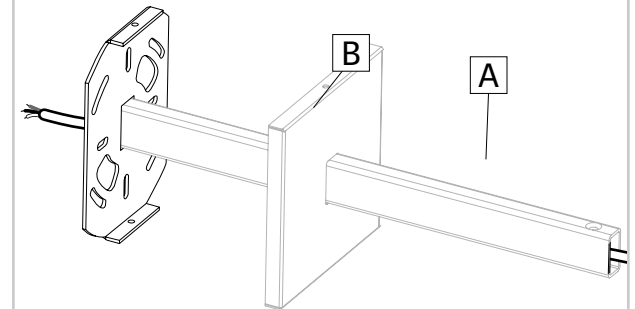
Locate junction box and mounting points on the wall, according to the dimensions in the supplied client drawing.

2



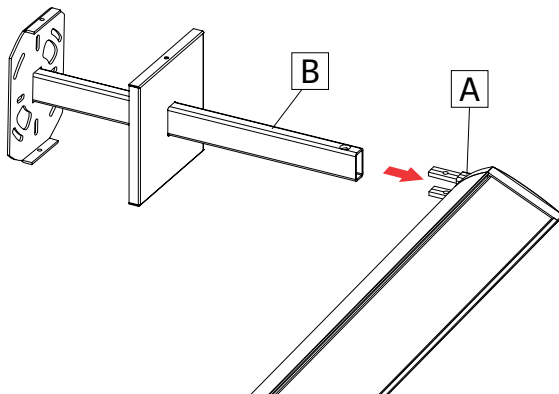
Determine what orientation the fixture should be before attaching the arm to the fixture.

3 POWER SIDE



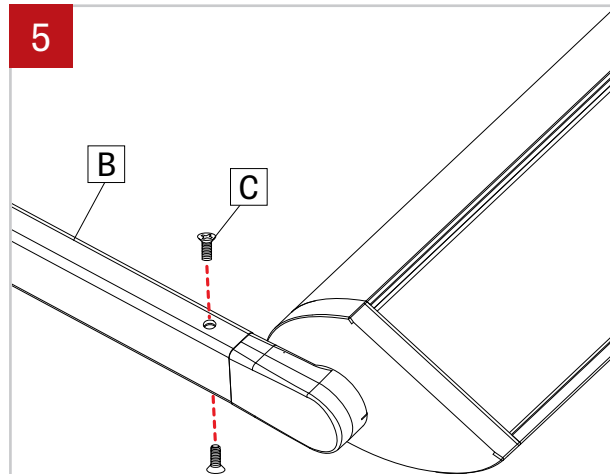
Make sure that the power cable coming from the fixture's end cap (A) is passing through the fixture's arm (B). Install the fixture's arm (B) on the end cap (A).

4 NON-POWER SIDE



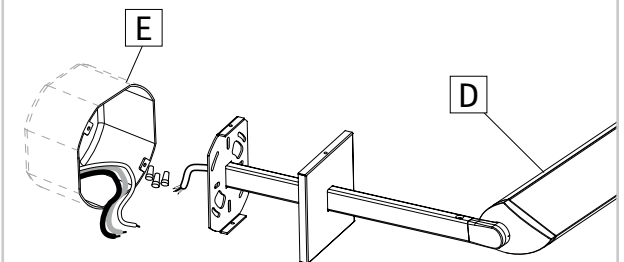
Install the fixture's arm (B) on the end cap (A).

5



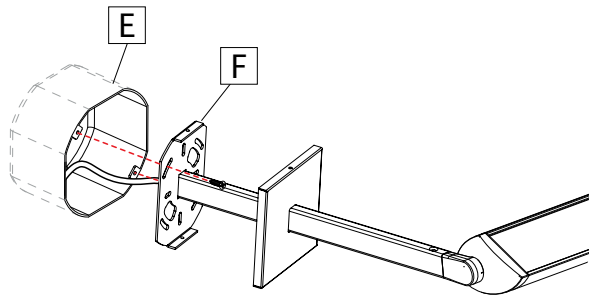
Secure the fixture's arm (B) with provided screws (C). Repeat on both sides.

6



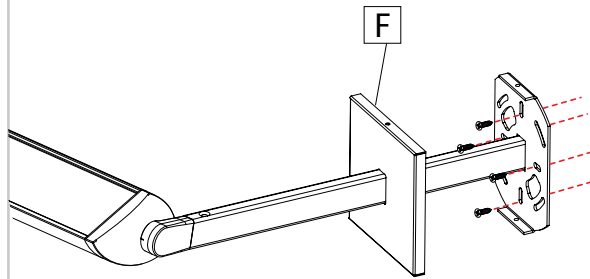
Make electrical connexion between fixture (D) and junction box (E), inside the junction box (connect the same color wires together).

7 POWER SIDE



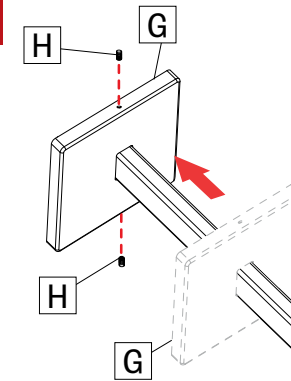
Screw the arm mounting plate (F) to the junction box (E) (screws supplied by others).

8 NON-POWER SIDE



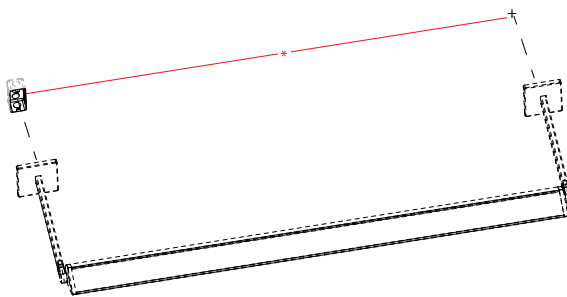
Screw the arm mounting plate (F) directly to the wall, using drywall screws (by others); and drywall anchors (by others) when needed.

9



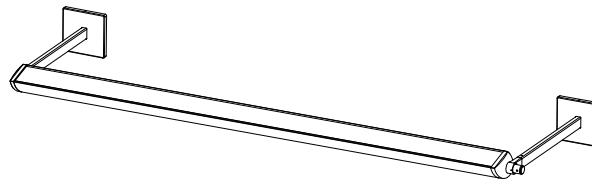
Push the cover plate (G) to the fixture's arm mounting plate and fix it using set screws (H) (6/32 Alan key needed). The set screws (H) should be flush with the cover plates (G). Repeat on both sides.

10 CONTINUOUS SYSTEM



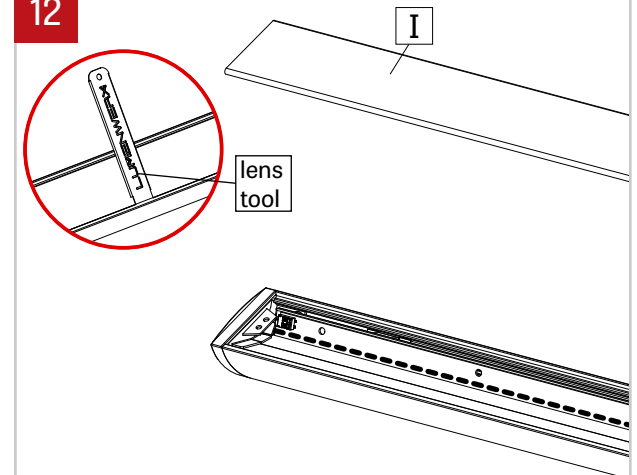
Locate junction box and mounting points on the wall, according to the dimensions in the supplied client drawing. Determine what orientation the fixture should be before attaching the arm to the fixture, as shown in step 2.

11

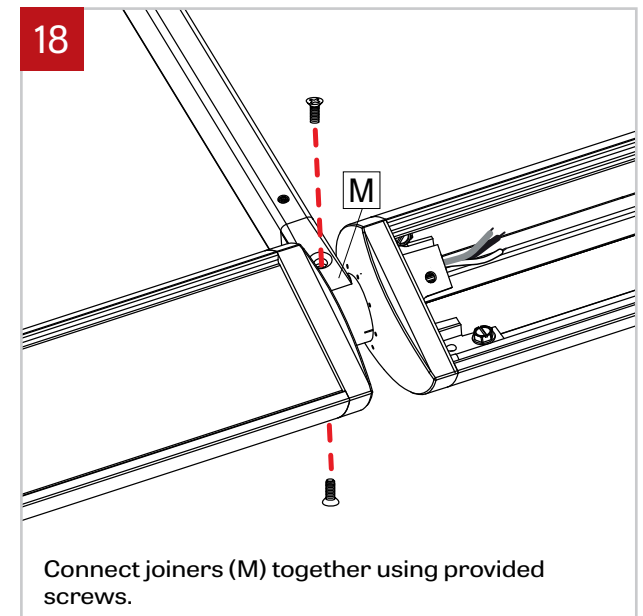
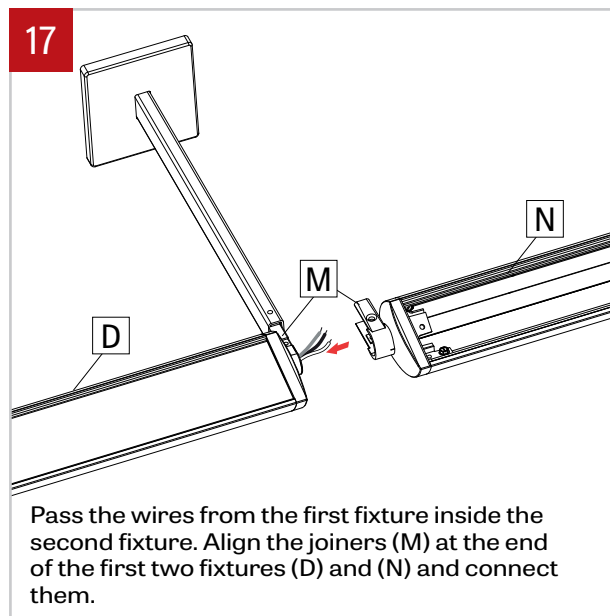
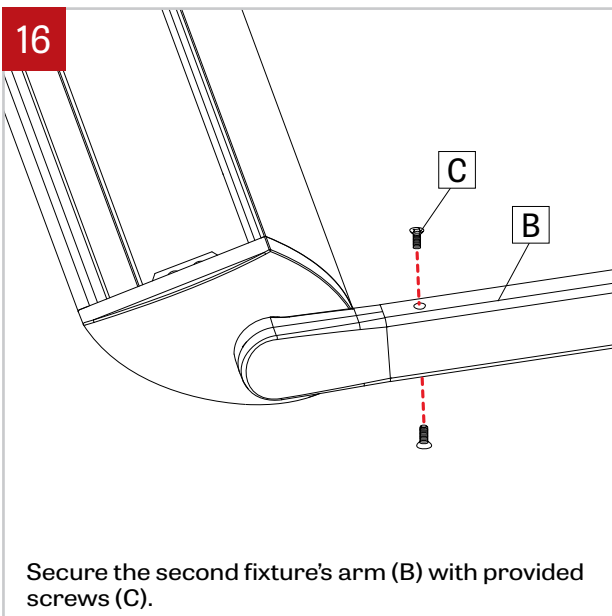
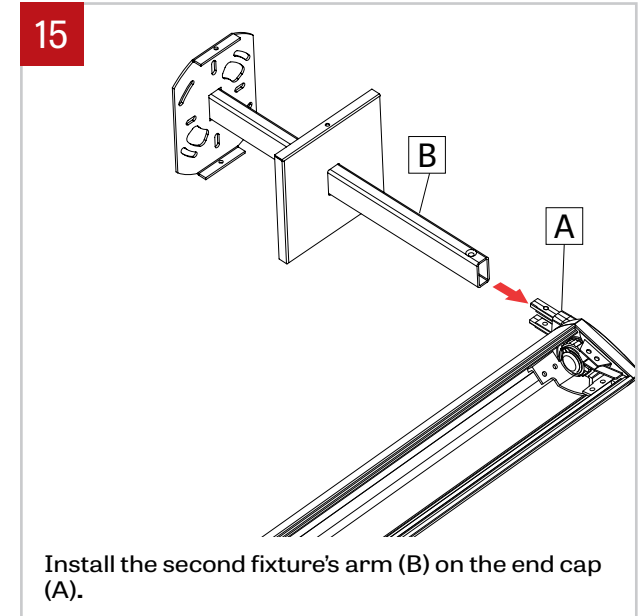
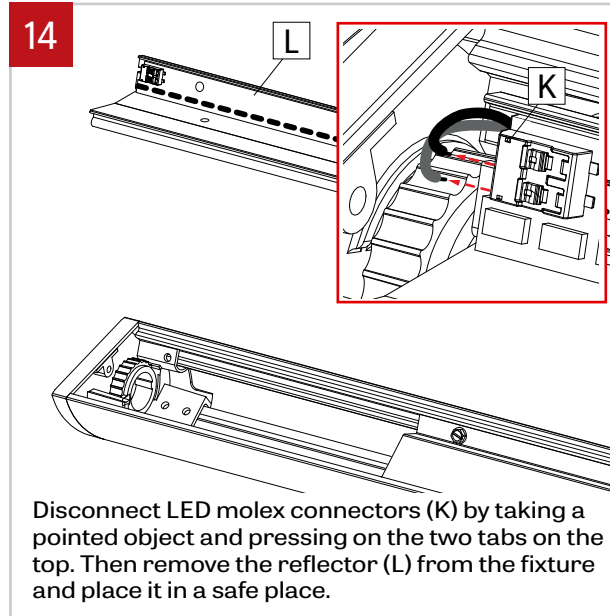
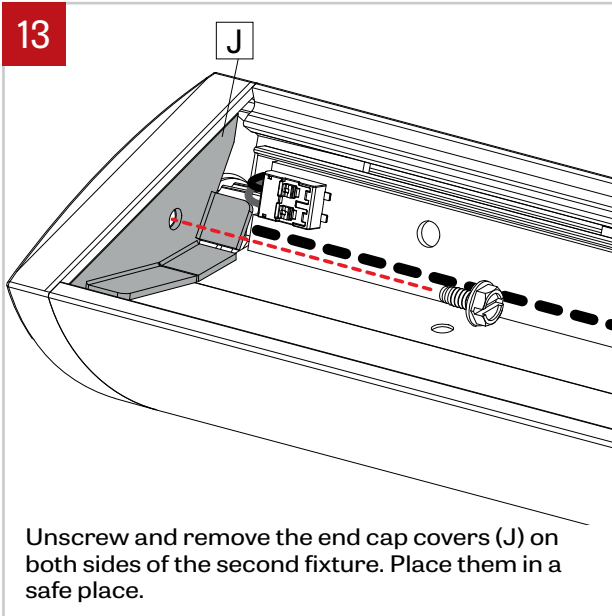


Install the first fixture as shown in steps 3 to 9.

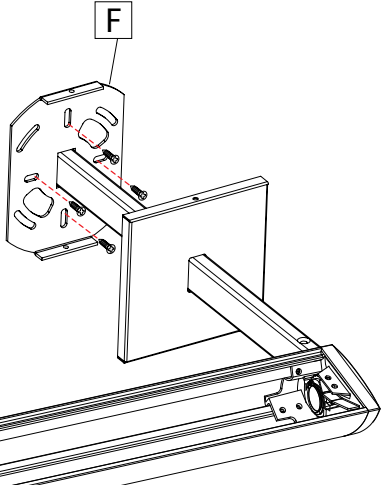
12



Remove the lens (I) from the second fixture with the included lens tool.

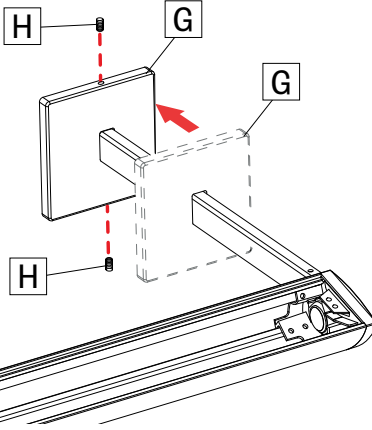


19



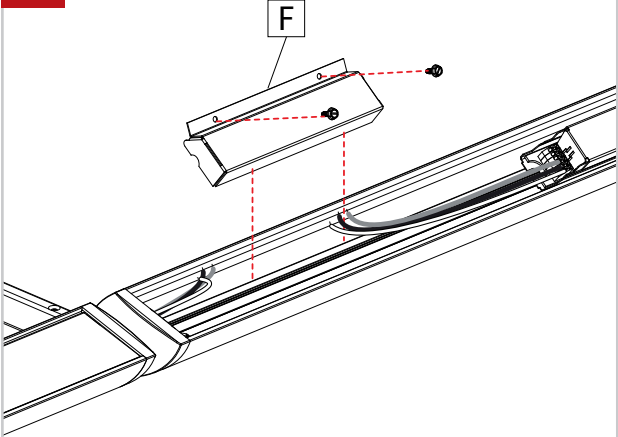
Screw the arm mounting plate (F) directly to the wall, using drywall screws (by others); and drywall anchors (by others) when needed.

20



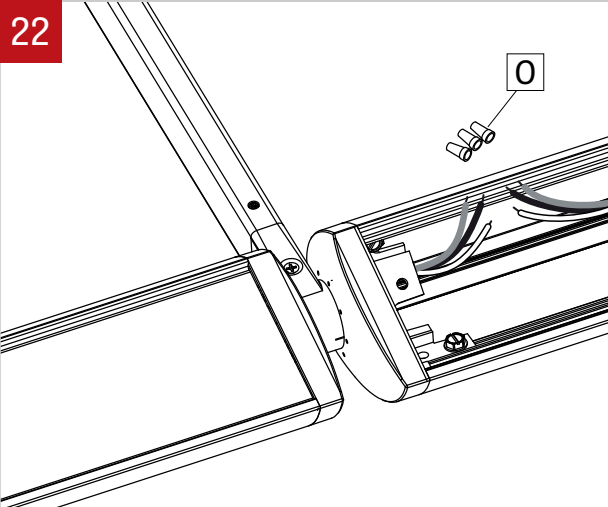
Push the cover plate (G) to the fixture's arm mounting plate and fix it using set screws (H) (6/32 Alan key needed). The set screws (H) should be flush with the cover plates (G).

21



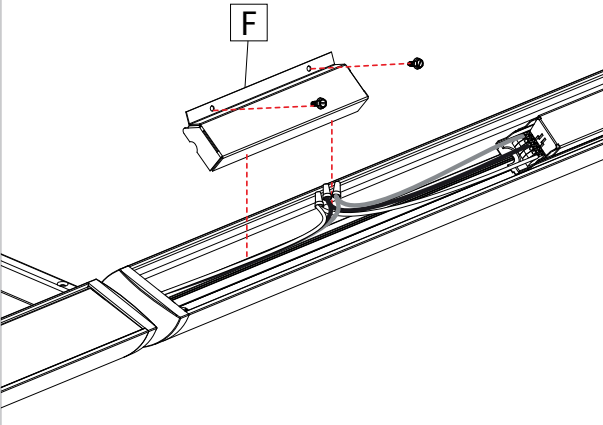
Remove the wires protector (F) from the fixture.

22



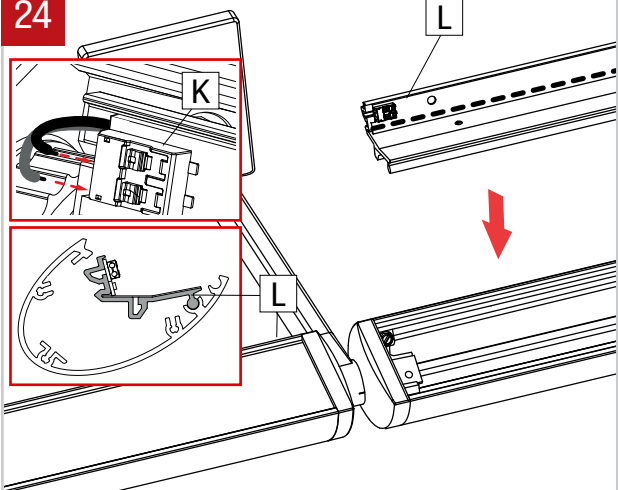
Connect wires between joining fixtures using quick connectors (O) (connect the same color wires together).

23



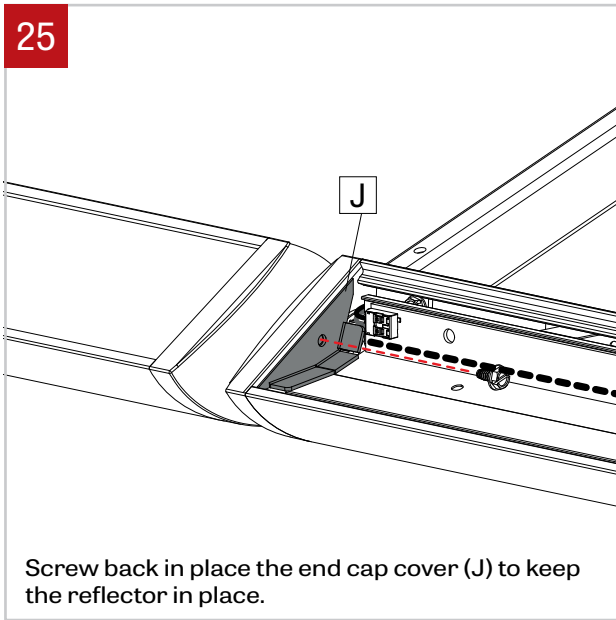
Replace the wires protector (F) to the fixture.

24



Reconnect LED mox connectors (K) to the reflector (L). Reinstall the reflector (L).

25



26

