

CLUSTER ACOUSTIX

PENDANT BLANK



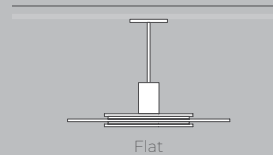
Round Ø 22"

Cluster Acoustix is the precise family of downlights for pendant mounting. Complementing the cuboid is a 22" stepped three-layer acoustic panel in round or square for excellent sound absorption.

Cluster Acoustix Blank offers the same great construction as the lit Cluster Acoustix. It acts as additional sound absorption to add acoustical performance without over lighting the space and not compromising architectural aesthetics.

Cluster Acoustix Blank pendant is available in 5 and 2x2 cell configurations, it fits a 6" height cuboid enclosure.

Mounting



Sizes



5x1



2x2



Acoustix Brochure

Cluster Family (Refer to other spec sheets)

Recessed, Wood Slat



Downlight Parabolic Wall Wash

Recessed Adjustable



Downlight Parabolic Wall Wash

Pendant



Downlight Parabolic Wall Wash

Surface



Downlight Parabolic Wall Wash

Combo



Recessed Pendant Surface

Acoustix



Blank Downlight Parabolic

CLUSTER ACOUSTIX

PENDANT BLANK



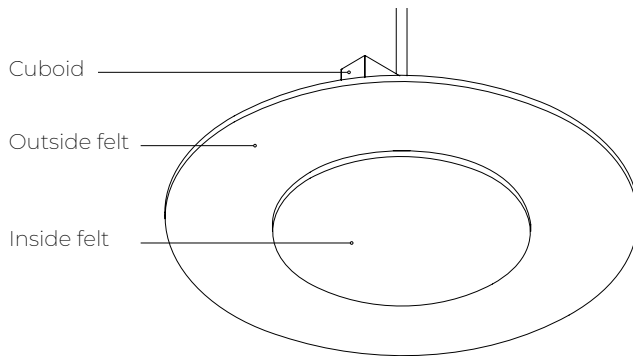
Project: _____

Type: _____

Order Guide

LUMINAIRE ID	SHAPE	CUBOID HEIGHT	CUBOID FINISH	NON-POWERED CANOPY
		6IN		FLS
CLU05ACOBP - Cluster 5x1 Acoustix Blank Pendant CLU22ACOBP - Cluster 2x2 Acoustix Blank Pendant	R22IN - Round Ø 22" S22INX22IN - Square 22" x 22"	6IN - 6"	FTMW - Textured matte white FTMB - Textured matte black CF# - Custom finish, specify RAL#	FLS - Flat square canopy, 4" octagonal junction box
CANOPY FINISH	SUSPENSION	INSIDE FELT COLOR		OUTSIDE FELT COLOR
		IN###		OUT###
FTMW - Textured matte white FTMB - Textured matte black CF# - Custom finish, specify RAL#	STEM¹ BKS##IN - Textured black stem WHS##IN - Textured white stem CF#S##IN² - Custom finish stem ¹ Min 18" - max 48", specify length (##) in inches. ² Specify RAL#.	STANDARD COLORS FWN MDN PMN FON LVN FGN ION LEN TBN CYN		PREMIUM COLORS^{3,4} PKN EGN BLN CNN CFN OGN CDN NVN GHN GRN LNN LCN IVN CLN MON LMN SYN SLN BHN ESN

Overview

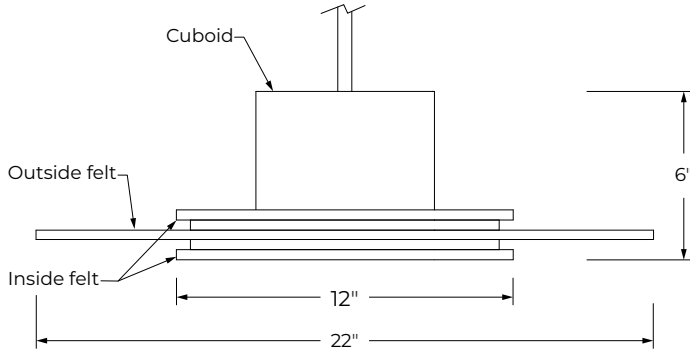


CLUSTER ACOUSTIX

PENDANT BLANK

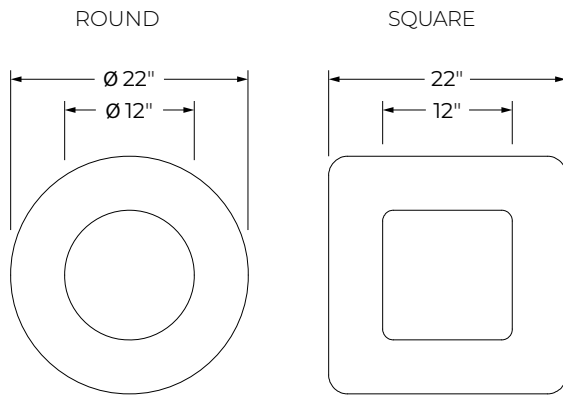


Dimensions

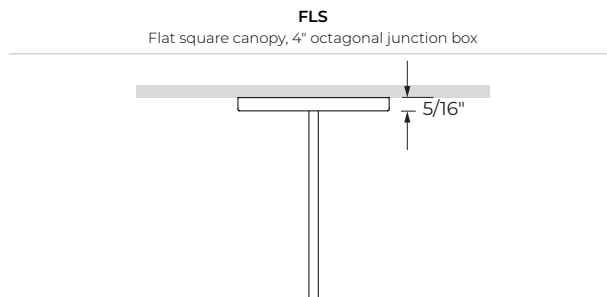


	5x1	2x2
Cuboid	6 3/8" x 1 9/16"	2 13/16" x 2 13/16"

SHAPE



Mounting



Canopy size

4 1/2" X 4 1/2"

CLUSTER ACOUSTIX

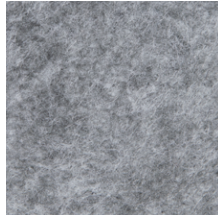
PENDANT BLANK



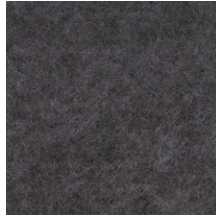
Standard Color Options



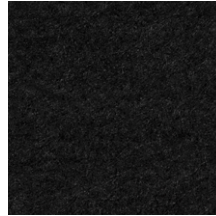
FWN - FROST WHITE



FON - FOG



ION - IRON



TBN - TRUE BLACK



MDN - MIDNIGHTBLUE



LVN - LAVENDER



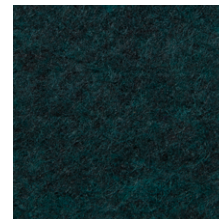
LEN - LATTE



CYN - CHERRY



PMN - PLUM



FGN - FORESTGREEN

Premium Color Options*



PKN - PAPRIKA



OGN - ORANGE



LNN - LEMON



LMN - LIME



EGN - EVERGREEN



CDN - CLOUDY



LCN - LICHEN



SYN - SKY



BLN - BLUEBERRY



NVN - NAVY



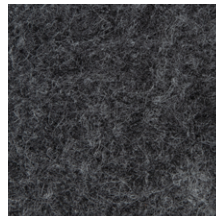
IVN - IVORY



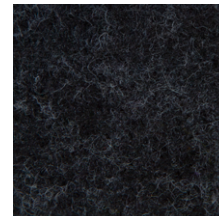
SLN - STEEL



CNN - CARBON



GHN - GRAPHITE



CLN - CHARCOAL



BHN - BLUSH



CFN - CAFÉ



GRN - GREIGE



MON - MOCHA



ESN - ESPRESSO

*Please consult factory for more color options.
*Lead time may vary.

CLUSTER ACOUSTIX

PENDANT BLANK



Acoustic Calculator

Use the Lumenwerx Acoustix Value Calculator table to determine the number of acoustic luminaires required in a space by fixture type. We have three levels of recommended sound reduction: good, better, and best. Choosing one of these options will reduce the sound accordingly. The best option indicates the best acoustic improvement. Calculations are based on a standard ceiling height of 9'.

Value calculator table

SHAPE	Room dimensions under 300 sq ft			Room dimensions over 300 sq ft		
	GOOD 😊	BETTER 😊😊	BEST 😊😊😊	GOOD 😊	BETTER 😊😊	BEST 😊😊😊
% in reduction in reverberation time	25%	40%	50%	25%	40%	50%
Round	30	15	10	48	24	16
Square	38	19	13	61	30	20

Use the **Lumenwerx Acoustix Value Formula** to determine the number of luminaires needed in the room.

$$\frac{\text{Room square footage (sq ft)}}{\text{Value}} = \text{Number of luminaires.}$$

Example: How many square Cluster Acoustix luminaires are needed for a 10' x 10' room size, for a BEST (50%) acoustic:
 $(10' \times 10') \div (13) = 8$ luminaires

NOTES:

- You can mix lit and blank fixtures.
- Lumenwerx acoustic calculators were developed to act as a guide. For precise acoustic performance in a space, please consult an acoustician.

Technical Specifications

WELL BUILDING STANDARD



WELL for Sound

This luminaire is recommended for use as an acoustical absorption surface to limit reverberation times (RT) in a given space. This luminaire contributes to noise reduction and vibration dampening to promote focus and concentration. Reverberation needs to be calculated in each space based on the materials used.

WEIGHT

	lb	kg
5x1	6.35	2.88
2x2	6.75	3

CONSTRUCTION

Housing: Die-cast aluminum

Cuboid: Extruded aluminum

Cover pendant: Aluminum

Stem: Ø 1/2" rigid stem 18" to 48" standard length

ACOUSTIC FINISH

Material is 100% polyester containing up to 50% of recycled plastic bottles (PET) with an ASTM E-84 Class A fire rating and is moisture resistant.

CARE

Remove dust and debris with a clean, dry, soft, lint-free cloth, or vacuum.

WARRANTY

Lumenwerx provides a five-year limited warranty on electrical and mechanical performance of the luminaires, including the LED boards, drivers, and auxiliary electronics. Lumenwerx will repair or replace defective luminaires or components at our discretion, provided they have been installed and operated in accordance with our specifications. Other limitations apply, please refer to the full warranty on our website.