

# CLUSTER WOOD SLAT

## Recessed - Open Frame (OFB)



**!** This product must be installed in accordance with the National Electrical Code and all applicable local codes, by a person familiar with the construction and operation of the product, and the hazards involved. Proper grounding is required for safety.

Ce produit doit être installé suivant le code national de l'électricité, ainsi que tous les codes locaux applicables, par une personne familière avec la construction et le fonctionnement du produit, ainsi que tous les risques qui y sont associés. La mise à terre électrique est obligatoire pour la sécurité.

**!** Wire dimming conductors as Class 1.

**💡** For electrical connections, please refer to the [wiring diagram guide](#).



### **!** WARNINGS

Install per national installation and accident prevention regulations.

Clearance between sides of luminaire and parts of building must be 1/2" minimum; clearance to insulating materials to be 3" minimum, unless luminaires is IC rated.

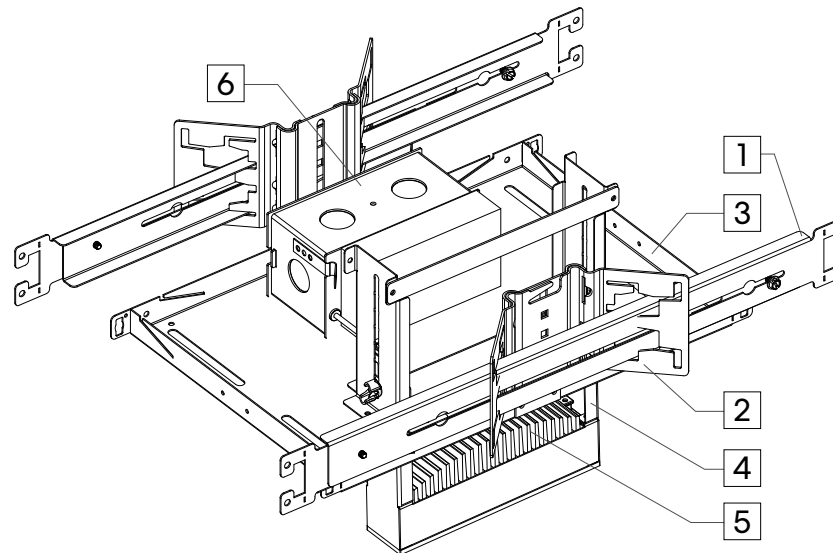
Fixtures must be installed in applications where the ambient temperature does not exceed 40° C during normal operation.

Do not connect or disconnect LED board wire connector when the fixture is energized. This may result in permanent damage to the LED array.

Warranty claims will not be accepted if incorrect driver or light element is used.

Do not cover the light element lens or heatsink with any materials or adhesive tapes.

**💡** For remote driver box installation instructions, please refer to the [remote driver installation sheet](#).



### Index

Go to pages related to product configuration.

- Overview.....[P2](#)
- Bar hanger installation.....[P3](#)
- Housing installation.....[P4](#)
- Electrical connections.....[P5](#)

### Items List

- [1] - Bar hangers
- [2] - Butterfly bracket
- [3] - Mounting frame
- [4] - Adjustable bracket
- [5] - Light element
- [6] - J-box



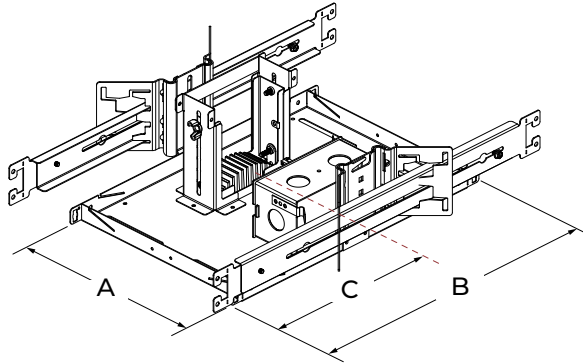
# CLUSTER WOOD SLAT

Recessed - Open Frame (OFB)



## OVERVIEW

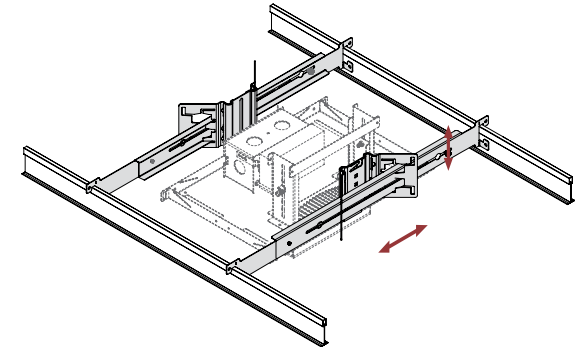
### INSTALLATION TYPE



OFB - Open Frame Type Non-IC

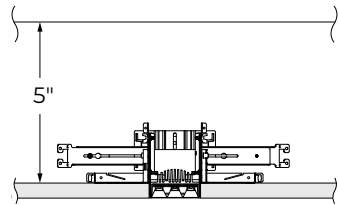
	HOUSING		
	A	B	C
<b>2x1</b>	8 11/16"	13 5/16"	6 11/16"
<b>3x1</b>	8 11/16"	13 5/16"	6 11/16"
<b>5x1</b>	8 11/16"	13 5/16"	6 11/16"
<b>10x1</b>	8 11/16"	19 5/16"	9 11/16"
<b>15x1</b>	8 11/16"	25 5/16"	12 11/16"
<b>2x2</b>	9 9/16"	13 1/8"	4 7/8"
<b>3x3</b>	11 9/16"	12 3/16"	6 1/16"

### MOUNTING OPTION

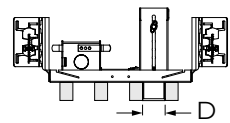


BAB24 - Black Adjustable Bar Hangers, 17" to 24"  
BAB48 - Black Adjustable Bar Hangers, 30" to 48"

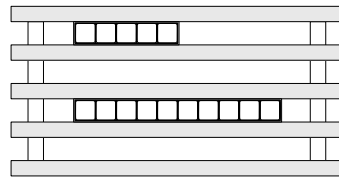
### DIMENSIONS



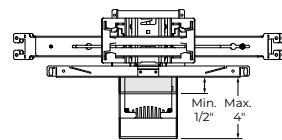
Clearance height



Spacing between slats



Bottom view



Cluster height

	SPACING BETWEEN SLATS	
	D	
	INTEGRAL (access from below the ceiling)	INTEGRAL / REMOTE (access from above the ceiling)
<b>2x1</b>	NA	1 1/2"
<b>3x1</b>	NA	1 1/2"
<b>5x1</b>	1 3/4"	1 1/2"
<b>10x1</b>	1 3/4"	1 1/2"
<b>15x1</b>	1 3/4"	1 1/2"
<b>2x2</b>	NA	2 5/8"
<b>3x3</b>	3 7/8"	3 7/8"



# CLUSTER WOOD SLAT

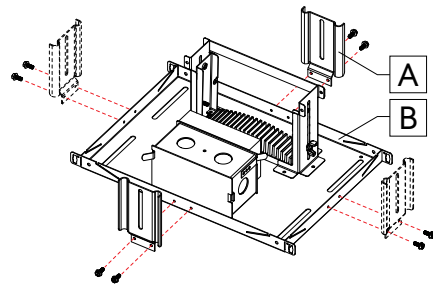
## Recessed - Open Frame (OFB)



### BAR HANGER INSTALLATION

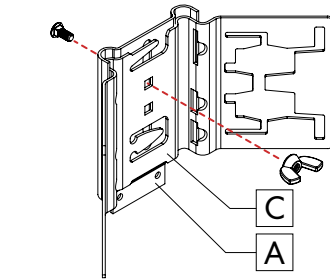
#### 1 MOUNT BRACKETS.

Screw the housing brackets [A] to the mounting plate [B] to desired side.



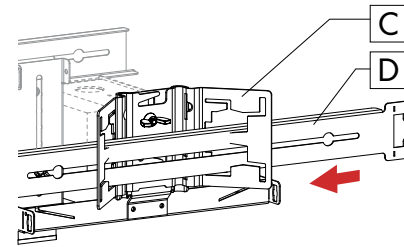
Mount butterfly brackets [C] to housing brackets [A] with screws and wing nuts.

**Note:** Do not overtighten screws.

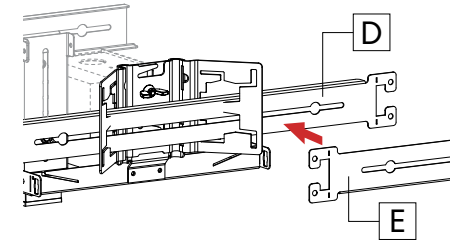


#### 2 INSTALL BAR HANGERS.

Slide the first part [D] of the adjustable bar hanger into the butterfly bracket [C].



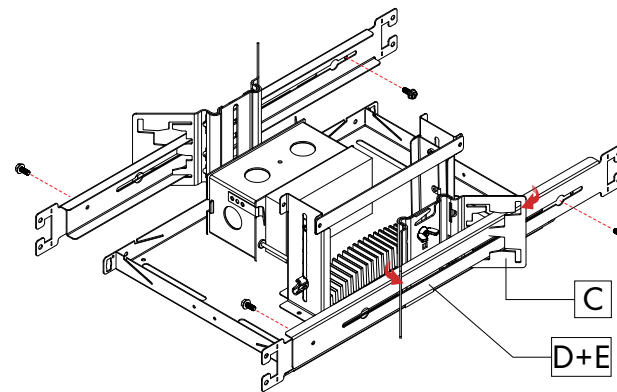
Align the second part [E] of the adjustable bar hanger to the first part [D] and slide it.



#### 3 ADJUST BAR HANGER LENGTH.

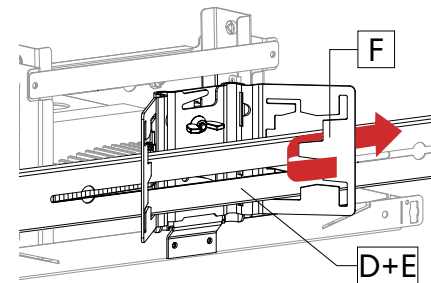
Push the bar hangers [D+E] together further into the butterfly bracket [C] and adjust to the required length. Lock the bar hangers [D+E] with screws.

**Note:** Squeeze the edges of the butterfly bracket for easier sliding, and release to lock.



#### 4 LOCK BAR HANGERS.

Lock the bar hangers [D+E] in place by twisting the tabs [F] inwards with pliers to the bar hangers.



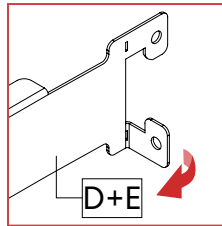
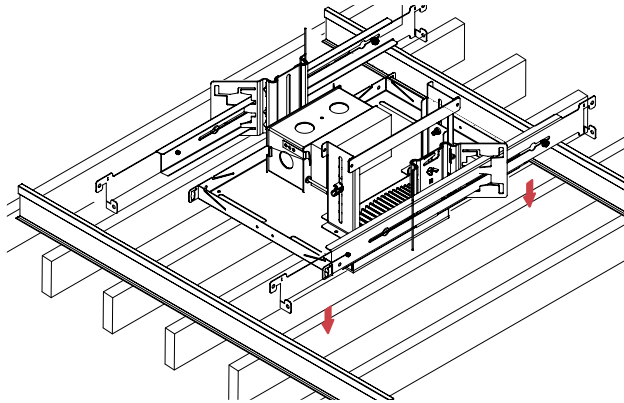
# CLUSTER WOOD SLAT

Recessed - Open Frame (OFB)

## HOUSING INSTALLATION

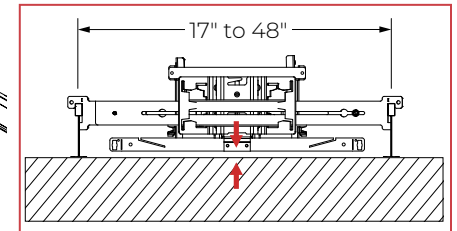
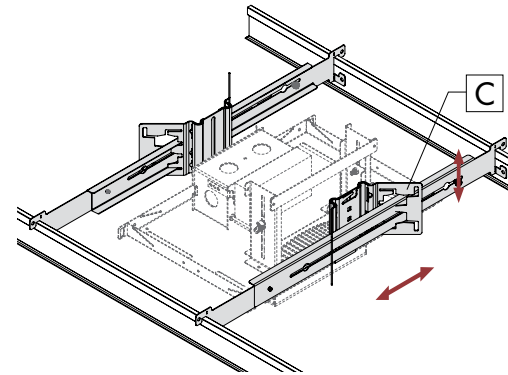
### 1 MOUNT HOUSING ON T-BAR SUPPORT.

Twist the bottom tabs of the bar hangers **[D+E]**.  
Mount the housing on T-bar support in ceiling.



### 2 ADJUST HOUSING POSITION.

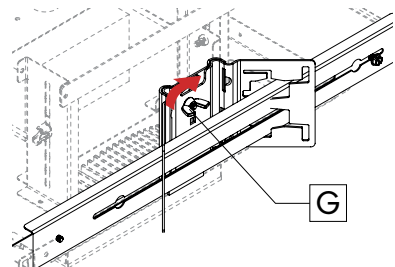
Adjust the butterfly brackets **[C]** to align the bottom of the mounting plate to the top of the wood slats.



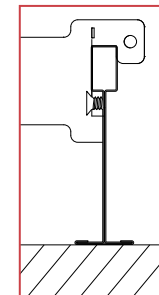
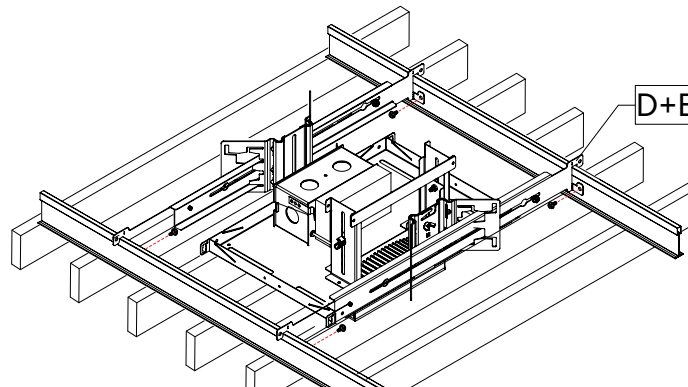
**BAB24** - Black Adjustable Bar Hangers, 17" to 24"  
**BAB48** - Black Adjustable Bar Hangers, 30" to 48"

### 3 LOCK BRACKETS AND BAR HANGERS.

Once height adjustment is done, tighten the screws **[G]**.



Secure the bar hangers **[D+E]** to T-bar supports with screws (by others).



# CLUSTER WOOD SLAT

Recessed - Open Frame (OFB)

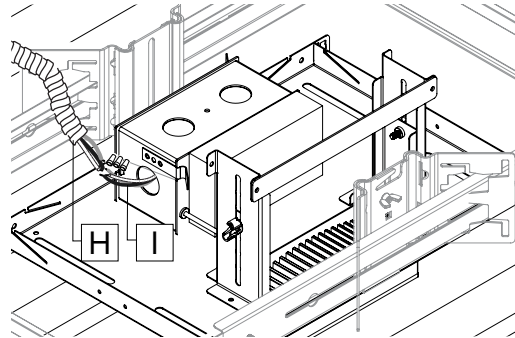


## ELECTRICAL CONNECTIONS

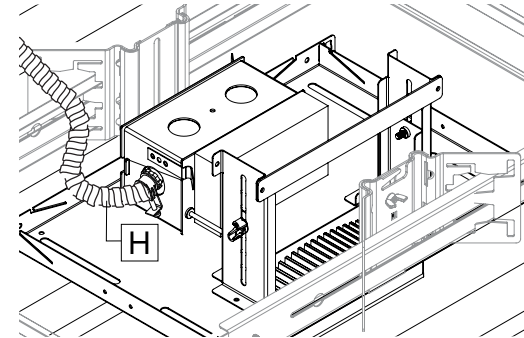
### 1 MAKE ELECTRICAL CONNECTIONS.

Make the electrical connections between the armored main power cable [H] (by others) and fixture power [I] with wire nuts (by others).

**Note:** For electrical connections, please refer to the [wiring diagram guide](#).

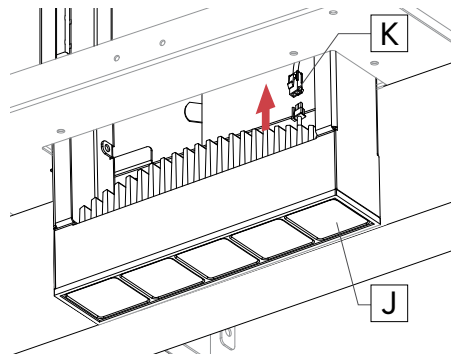


Install the armored main power cable [H] to knockout.



### 2 CONNECT LIGHT ELEMENT.

Bring the light element [J] closer to the ceiling. Connect the light element [J] to driver in housing with quick connectors [K].



### 3 ADJUST LIGHT ELEMENT.

Loosen the wing nuts [L] and adjust the light element [J] to the desired position. Tighten the wing nuts [L] to securely fasten the light element [J] in place.

**Note:** Adjustable from 1/2" to 4".

