

INSTALLATION INSTRUCTIONS

! This product must be installed in accordance with the National Electrical Code and all applicable local codes, by a person familiar with the construction and operation of the product, and the hazards involved. Proper grounding is required for safety.

Ce produit doit être installé suivant le code national de l'électricité, ainsi que tous les codes locaux applicables, par une personne familière avec la construction et le fonctionnement du produit, ainsi que tous les risques qui y sont associés. La mise à terre électrique est obligatoire pour la sécurité.

! Disconnect power before installation or servicing.

! Do not cover the light element lens or heatsink with any materials or adhesive tapes when the fixture is powered.

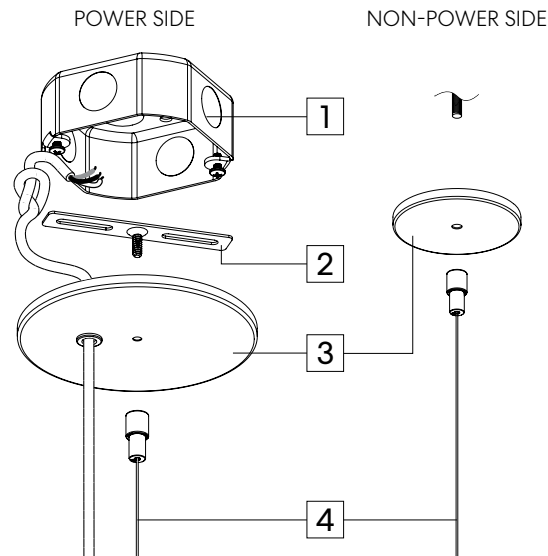
! Handle the LED cartridge carefully during removal and installation. Tools must not touch the LED chips. Contact may result in damage and LED failure.

! Wire dimming conductors as Class 1.

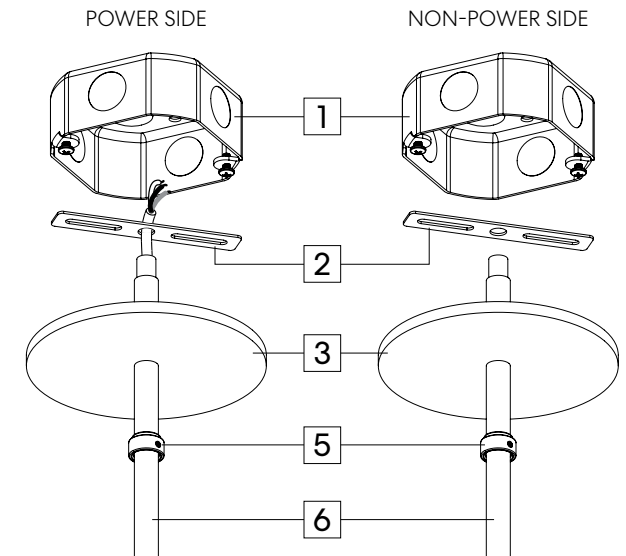
! A luminaire with more than one power supply connection means shall be connected to only one branch circuit.

! For continuous run, shown with aircraft cable. Applicable to stem.

AIRCRAFT CABLE



STEM



! For electrical connections, please refer to the [wiring diagram guide](#).

! For remote driver box installation instructions, please refer to the [remote driver installation sheet](#).



INDEX

Aircraft cable - Single fixture	P2
Aircraft cable - Continuous run ..	P3
Stem.....	P5

TOOLS REQUIRED

- Phillips screwdriver
- Aircraft cable cutter (for AC)
- Allen key 1/16" (for stem)

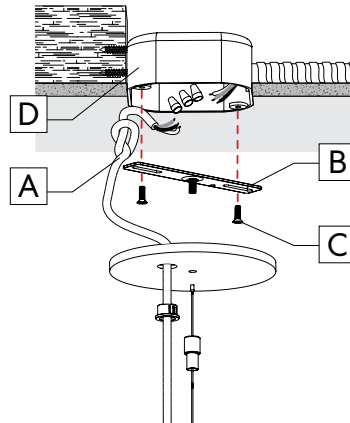
ITEMS LIST

1	Standard J-box (by others)
2	Crossbar
3	Flat round canopy
4	Aircraft cable
5	Slip ring
6	Stem

SINGLE FIXTURE - AIRCRAFT CABLE

1 MAKE ELECTRICAL CONNECTIONS TO MAIN POWER.

Locate ceiling mounting points according to the provided client drawings. Make a knot in the power cord [A] and then connect it to the main power.



Secure the crossbar [B] with screws [C] (by others) to the junction box [D].

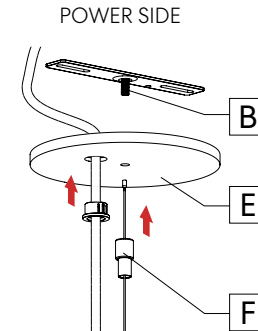
Note: Number of wires may vary.

Warning: A luminaire with more than one power supply connection means shall be connected to only one branch circuit.

2 INSTALL ALL OF THE CANOPIES.

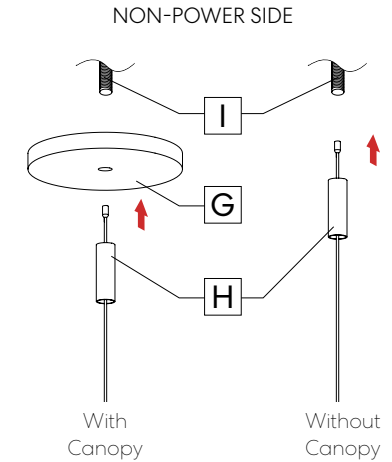
POWER SIDE

Secure the canopy [E] with the slip ring [F] on the crossbar [B].



NON-POWER SIDE

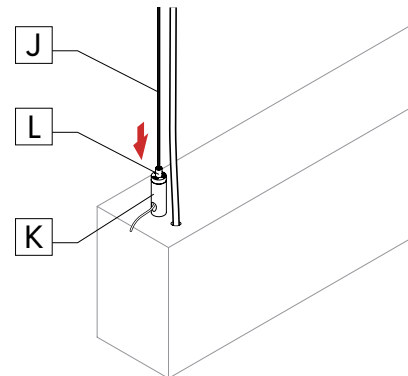
Secure the canopy [G] with the cable coupler [H] on the threaded rod (1/4"-20) [I] (by others).



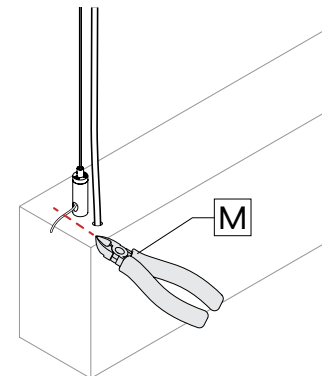
For non-power side without canopy, secure the cable coupler [H] directly on the threaded rod (1/4"-20) [I] (by others).

3 INSTALL AIRCRAFT CABLES.

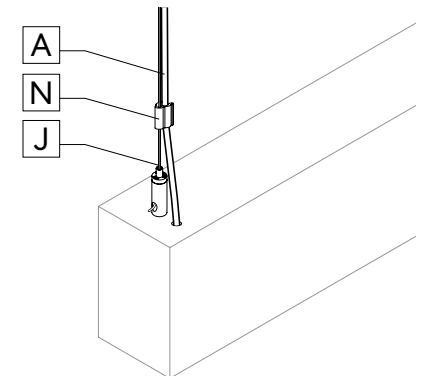
Insert the aircraft cable [J] into the griplock [K]. Adjust the aircraft cable [J] length by pushing the feeder tube [L].



Cut the excess cable with an aircraft cable cutter [M].



Secure the power cord [A] to the aircraft cable [J] with the plastic clip [N].



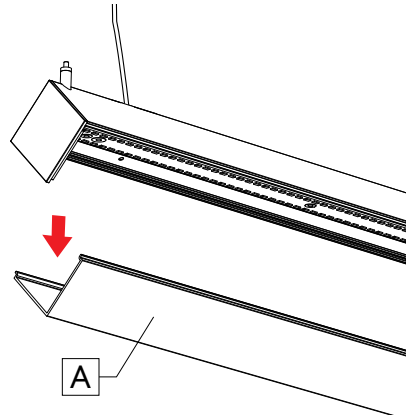
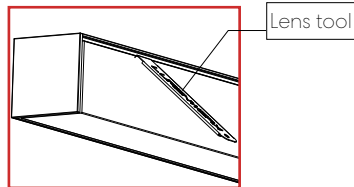
AIRCRAFT CABLE - CONTINUOUS RUN

1 FOR A CONTINUOUS RUN, FOLLOW STEPS **1 - 3** FROM THE SINGLE FIXTURE INSTRUCTIONS FOR THE FIRST FIXTURE IN THE RUN, THEN:

2 REMOVE LENSES.

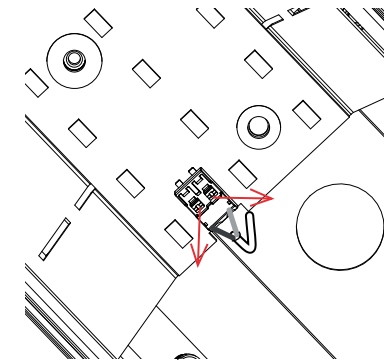
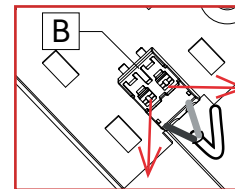
Remove the lenses **[A]**, with the included lens tool.

Keep them in a safe place.



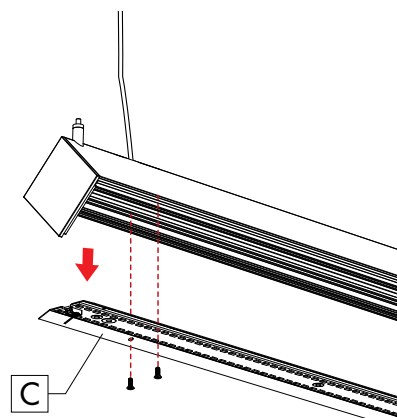
3 DISCONNECT WIRES.

Disconnect LED moxex connector **[B]** by taking a pointed object and pressing on the two tabs on top.



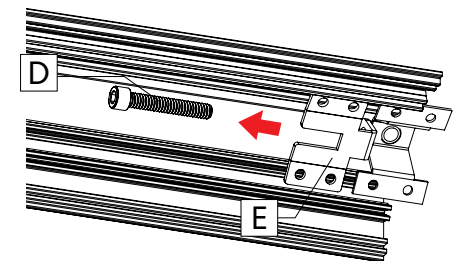
4 REMOVE CARTRIDGES.

Remove the LED cartridges **[C]**.



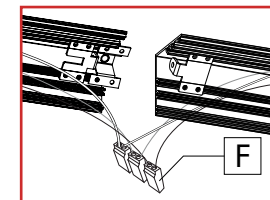
5 MAKE WIRE CONNECTIONS.

Remove screw **[D]** on the joiner **[E]** and put it in a safe place.



Connect wires between joining fixtures using quick connectors **[F]**. Push wires inside the fixture.

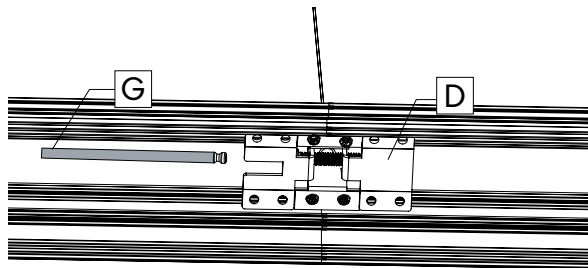
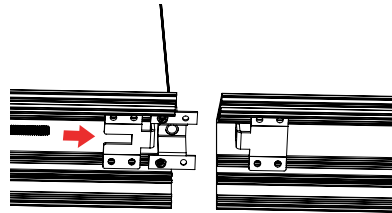
Note: Number of wires may vary.



AIRCRAFT CABLE - CONTINUOUS RUN

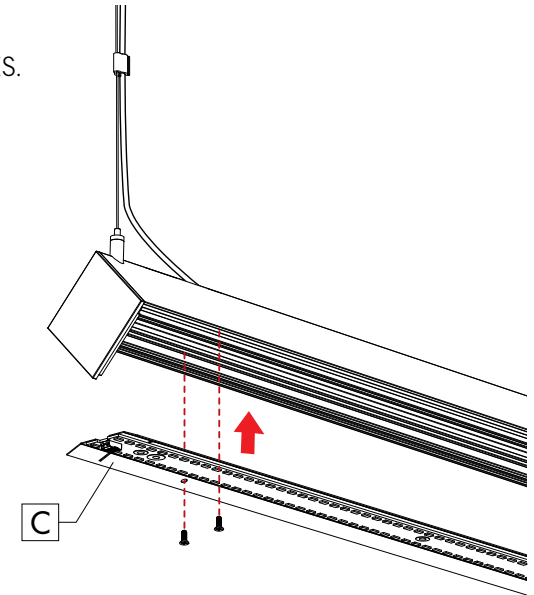
6 JOIN FIXTURES.

Join the fixtures and put the screws back in place. Tighten the screws [D] using the provided 3/16" ball-end screwdriver [G] to pull the fixtures together.



7 REINSTALL CARTRIDGES.

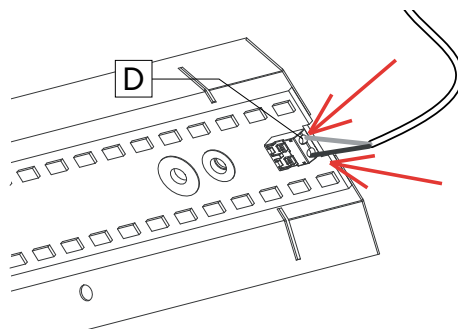
Reinstall the cartridges [C].



8 CONNECT WIRES.

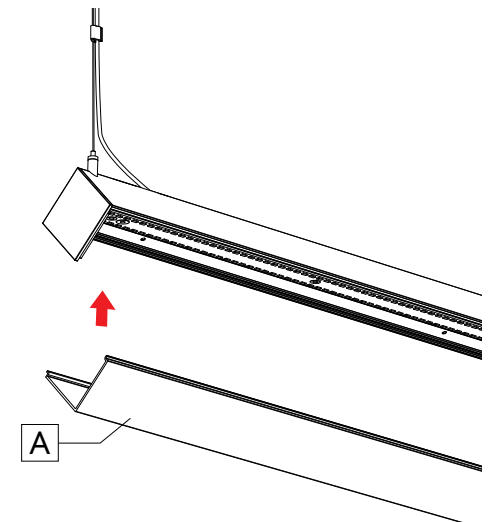
Reconnect the LED moxex connector [D].

Note: Connect the black wire into the negative (-) terminal and the white wire into positive (+) terminal.



9 REINSTALL LENSES.

Put the lenses [A] back in place. Level all fixtures.



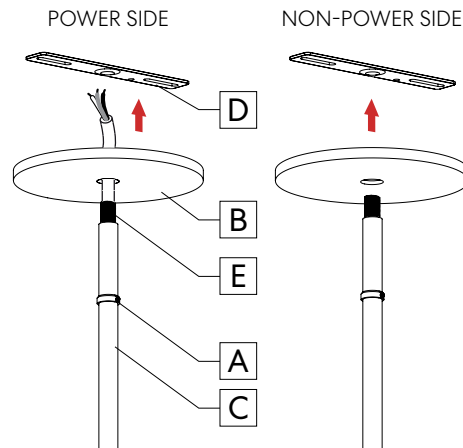
SINGLE FIXTURE - STEM

1 INSTALL STEMS TO CANOPIES.

Locate ceiling mounting points according to the provided client drawings.

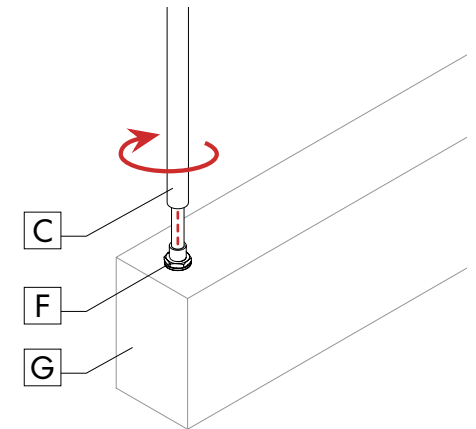
Slide the slip ring [A] and the canopy [B] onto the stem [C] and leave some space.

Screw the crossbar [D] onto the stem's nipple [E].



2 INSTALL STEMS ON FIXTURE.

Screw the stems [C] onto the nipple [F] at the ends of the fixture [G].



3 INSTALL FIXTURE TO CEILING.

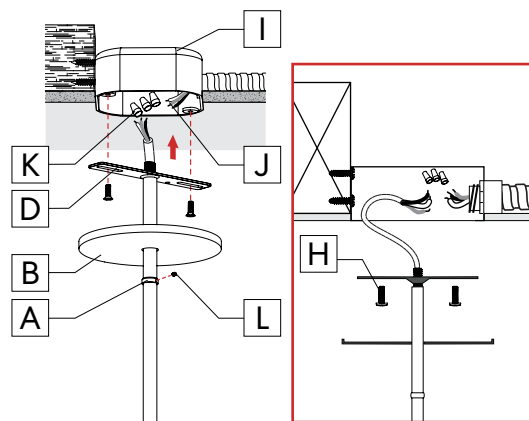
POWER SIDE

Raise the fixture and tighten the crossbar [D] with screws [H] (by others) to the junction box [I].

Make wire connections to the main power [J] with wire nuts [K] (by others).

Slide the canopy [B] up and tighten with the slip ring [A] with the set screw [L].

Note: Number of wires may vary.



NON-POWER SIDE

Raise the fixture and tighten the crossbar [D] with screws [H] (by others) to the junction box [I].

Slide the canopy [B] up and tighten the slip ring [A] with the set screw [L].

