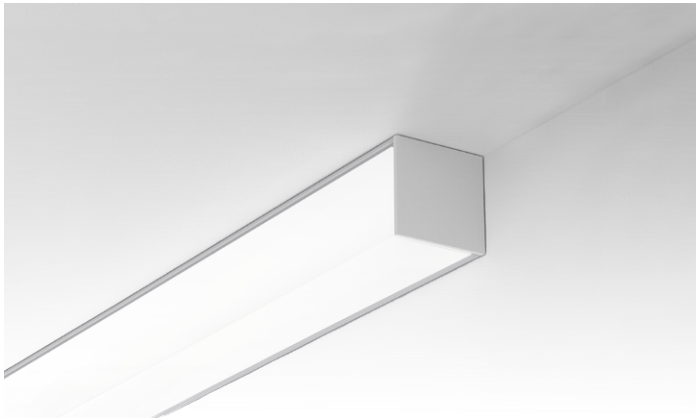


# CUBITO SURFACE



Project: \_\_\_\_\_  
 Type: \_\_\_\_\_



## DESCRIPTION

Cubito illuminates its square profile through two adjacent sides, forming a luminous right angle 2 1/2" on each side. It can be installed as a discrete luminaire or a continuous line of light.

**SENSORS**  
 For latest information on sensors, click [here](#).

**up to 134 lm/W performance**

## Order Guide

LUMINAIRE ID	OPTIC	LIGHT SOURCE	CRI	LUMEN PACKAGE
<b>CUBS</b>	<b>HLO</b>	<b>SW</b>		
<b>CUBS</b> - Cubito Surface	<b>HLO</b> - High-Efficiency Lambertian Optic	<b>SW</b> - Static white	<b>80CRI</b> - 80+ CRI <b>90CRI</b> - 90+ CRI	<b>300LMF</b> - Low output 300 lm/ft <b>450LMF</b> - Medium output 450 lm/ft <b>700LMF</b> - High output 700 lm/ft <b>900LMF</b> - Ultra high output 900 lm/ft

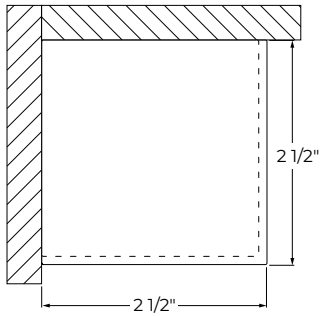
COLOR TEMPERATURE	LUMINAIRE LENGTH	VOLTAGE	DRIVER	ELECTRICAL
			<b>D1</b>	
<b>27K</b> - 2700K <b>30K</b> - 3000K <b>35K</b> - 3500K <b>40K</b> - 4000K <b>50K</b> - 5000K	<b>#FT#IN</b> - Specify nominal length (#) in 1' and/or 1" increments  <b>Standard nominal lengths:</b> Single units: 2' to 12' Continuous runs: lengths over 12'	<b>120V</b> - 120V <b>277V</b> - 277V <b>UNV</b> - 120V-277V	<b>D1</b> - 1% 0-10V	<b>1C</b> - 1 circuit <b>#MC</b> <sup>1</sup> - Multi circuit <b>EC</b> - Emergency-powered fixture <b>NL</b> - Night light fixture <b>DL</b> - Daylight fixture  <sup>1</sup> Specify total number of circuits (#), including any required for electrical section options. Provide drawing or layout specifications. Minimum 4' section per circuit.

ELECTRICAL SECTIONS (optional) <sup>2,3</sup>	MOUNTING <sup>8</sup>	FINISH	OPTION
<b>#EC##</b> <sup>4</sup> - Emergency-powered section <b>#NL##</b> <sup>4</sup> - Night light section <b>#DL##</b> <sup>4</sup> - Daylight section <b>#EMB</b> <sup>5,6,7</sup> - Emergency battery <b>NA</b> - None  <sup>2</sup> Specify with multi circuit (#MC) electrical option only. <sup>3</sup> Provide drawing or layout specifications. Consult factory for other configurations. Default section length is 4'. <sup>4</sup> Specify quantity (#), and section length in inches (##). <sup>5</sup> Not available with 347V. <sup>6</sup> Specify quantity (#). All batteries will be on the same circuit. Each battery powers a 4' section. <sup>7</sup> A remote driver is required. Add a prefix "R" to the driver code when EMB is specified, e.g. RD1.	<b>DRMA</b> - Drywall mounting A <b>DRMB</b> - Drywall mounting B  <sup>8</sup> See page 2 for details.	<b>W</b> - Matte white <b>AL</b> - Aluminum <b>B</b> - Matte black <b>CF#</b> - Custom finish, specify RAL#	<b>FU120V</b> - Fuse 120V <b>FU277V</b> - Fuse 277V <b>NA</b> - None



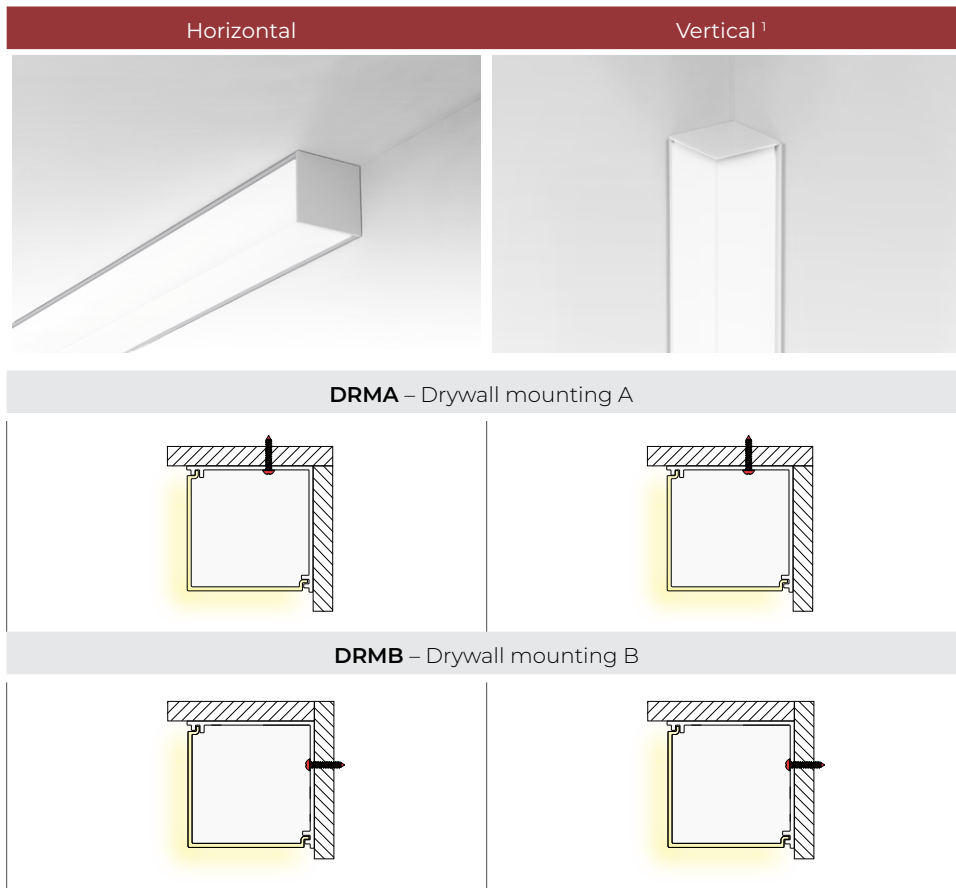
# CUBITO SURFACE

## Dimensions



**CUBS** - Cubito Surface

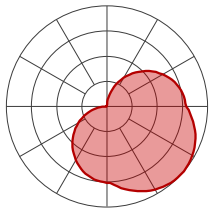
## Mounting



<sup>1</sup> Top view.

## Photometrics

Values calculated based on a 4' fixture at 3500K and 80+ CRI.



LM/FT	W/FT	LM/W
300	2.2	134
450	3.4	132
700	5.4	130
900	7	128

### MULTIPLIER TABLE

Use the table to get results for different color temperatures and CRI.

Multiplier - CCT/CRI

CCT	WATTS		LPW	
	80+ CRI	90+ CRI	80+ CRI	90+ CRI
2700K	1.05	1.27	0.95	0.79
3000K	1.02	1.23	0.98	0.81
3500K	1.00	1.19	1.00	0.84
4000K	1.00	1.19	1.00	0.84
5000K	0.96	1.12	1.04	0.89

## Technical Specifications

### OPTIC

#### High-Efficiency Lambertian Optic (HLO)

The High-Efficiency Lambertian Optic (HLO) uses matte white reflectors to distribute LED output across 0.075" acrylic shielding, providing up to 88% transmission and good obscuration.

### LIGHT SOURCE

#### Static white

Custom linear array of mid-flux LEDs are cartridge-mounted with quick-connect wiring to facilitate service and thermal management. Available in 2700K, 3000K, 3500K, 4000K, and 5000K with a minimum 80+ CRI and an option for 90+ CRI with elevated R9 value. Color consistency maintained to within 3 SDCM. All LEDs have been tested in accordance with IESNA LM-80-08 and the results have shown L80 lumen maintenance greater than 60,000 hours. Absolute product photometry is measured and presented in accordance with IESNA LM-79, unless otherwise indicated.

### LUMINAIRE LENGTH

Cubito is available in standard lengths of 2' to 12'. Continuous runs are available for run lengths over 12'. Exact run length must be noted in the product code. The minimum length is 2', and can be ordered in 1' and/or 1" increments.

All individual sections are joined together onsite using the joiner kits provided. Lumenwerx offers joiner kits that are extremely simple to work with in the field and result in a fixture that appears virtually seamless with no light leak at any connection.

### ELECTRICAL

Factory-set, adjustable output current LED driver with universal (120-277 VAC) input. Dimmable from 100% to 1% with 0-10V dimming control. Rated life (90% survivorship) of 50,000 hours at 50°C max. ambient (and 70°C max. case) temperature. At maximum driver load: Efficiency > 84%, PF > 0.9, THD < 20%. All of our standard 0-10V drivers are NEMA 410 compliant.

### PoE

Depending on the PoE manufacturer selected, Lumenwerx will install the node in factory as either integral to the luminaire or as a remote module. Factory programming of the PoE node may or may not enable the following functionalities: lumen package, DUO (tunable white), QUADRO (RGBW), emergency battery backup, and sensor integration. These must be addressed and evaluated on a case-by-case basis.

### ELECTRICAL SECTION OPTIONS

Electrical section options are available for fixtures specified as multi circuit (#MC). With MC, specify the total number of circuits (#), including any circuits required for optional electrical sections. A drawing is required to specify the layout. Please consult factory for custom configurations.

#### Electrical sections

Options include emergency-powered (#EC##), night light (#NL##), and daylight (#DL##) sections. Specify the quantity (#), as well as the section length in inches (###).

Example: A 32' Direct fixture with two 8' emergency-powered sections on a second circuit.

Code: 2MC-2EC96

#### Battery

Each emergency battery (#EMB) powers a 4' section. All batteries will be on the same circuit. Specify the number of batteries (#) required.

Factory installed long life, high temperature, maintenance-free Lithium-Ion battery pack with self-test functionality, test switch and charge indicator. Minimum of 90 minutes operation, up to 1000 lumens per 4' (25°C) emergency lighting output and recharge time of 24 hours.

### MOUNTING

Fixtures can be mounted directly to drywall and hard surface ceilings, hardware supplied by others.

### FINISH

**Interior:** 95%, reflective matte powder coated white paint

**Exterior:** Matte white, matte black, or aluminum powder coating. Custom finishes are also available.

### CONSTRUCTION

**Housing:** Extruded aluminum, up to 90% recycled content

**Interior brackets:** Die-formed cold rolled sheet steel

**Joining system:** Die-cast aluminum

**Reflectors:** Aluminum

**Lens:** Acrylic

**End caps:** Die-cast aluminum

### WEIGHT

**4':** 5.27 lbs - 2.39 kg

**8':** 10.54 lbs - 4.78 kg

**12':** 15.8 lbs - 7.17 kg

# CUBITO SURFACE



## CERTIFICATION

**ETL:** Rated for indoor dry/damp locations. Conforms to UL Standard 1598 and certified to CAN/CSA Standard C22.2 No. 250.0.

## WARRANTY

Lumenwerx provides a five-year limited warranty on electrical and mechanical performance of the luminaires, including the LED boards, drivers, and auxiliary electronics. Lumenwerx will repair or replace defective luminaires or components at our discretion, provided they have been installed and operated in accordance with our specifications. Other limitations apply, please refer to the full warranty on our website.