

CURVIA ACOUSTIX

Pendant - Multiple Canopies



This product must be installed in accordance with the National Electrical Code and all applicable local codes, by a person familiar with the construction and operation of the product, and the hazards involved. Proper grounding is required for safety.

Ce produit doit être installé suivant le code national de l'électricité, ainsi que tous les codes locaux applicables, par une personne familière avec la construction et le fonctionnement du produit, ainsi que tous les risques qui y sont associés. La mise à terre électrique est obligatoire pour la sécurité.



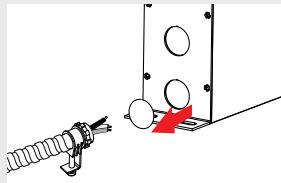
Wire dimming conductors as Class 1.



For electrical connections, please refer to the [wiring diagram guide](#).

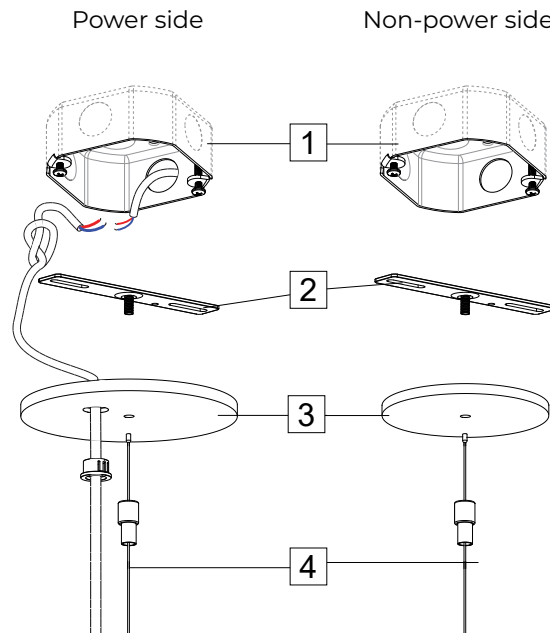


For remote driver box, please refer to the [remote driver installation sheet](#) for more information.

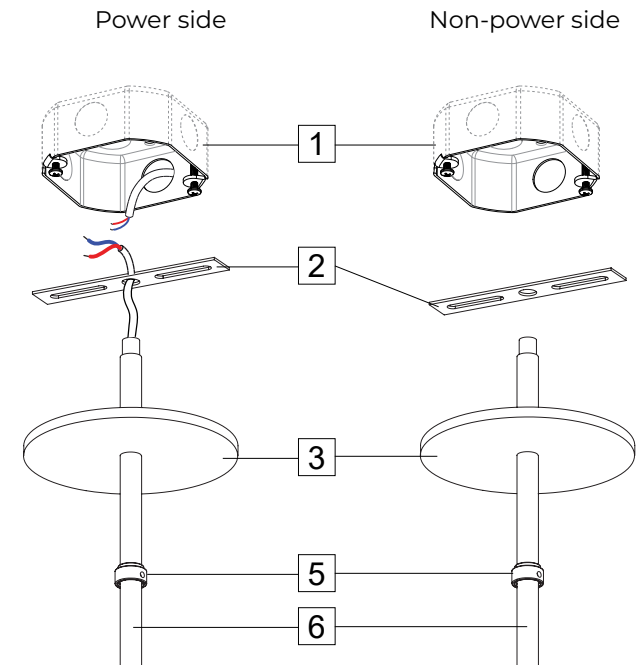


OVERVIEW

AC - Power cable + aircraft cable



Stem



Index

Go to pages related to product configuration.

- AC SINGLE FIXTURE..... P.2
- AC CONT. RUN P.3
- STEM SINGLE FIXTURE .. P.4
- STEM CONT. RUN.....P.5

Items list

1	J-box (by others)
2	Crossbar
3	Flat round canopy
4	Aircraft cable
5	Slip ring
6	Stem



CURVIA ACOUSTIX

Pendant - Multiple Canopies



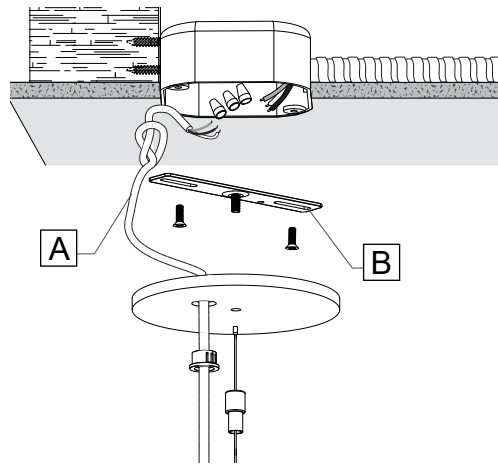
SINGLE FIXTURE - POWER CABLE + AIRCRAFT CABLE (AC)

1 MAKE ELECTRICAL CONNECTIONS TO THE MAIN POWER.

Locate ceiling mounting points according to supplied client drawing. Make a knot in the power cord [A] and then connect it to the ceiling power feed. Secure crossbar [B] on the j-box (by others).

NOTE: Number of wires may vary.

Warning: A luminaire with more than one power supply connection means shall be connected to only one branch circuit.



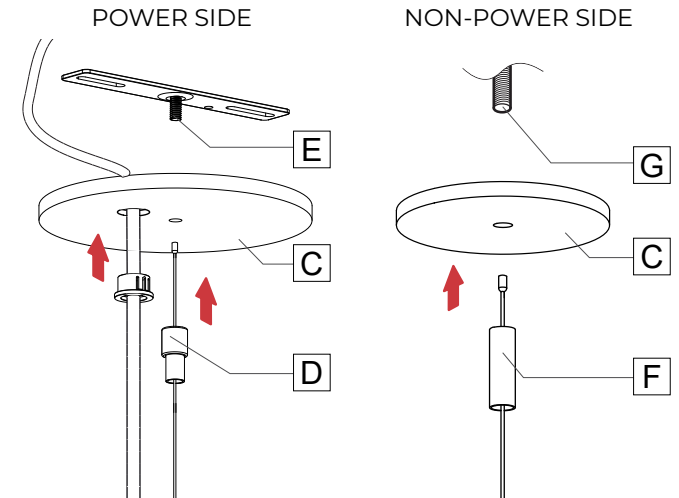
2 INSTALL ALL OF THE CANOPIES.

POWER SIDE

Secure canopy [C] with slip ring [D] on threaded rod [E] on the crossbar.

NON-POWER SIDE

Secure canopy [C] with cable coupler [F] on threaded rod (1/4"-20) [G] (by others).

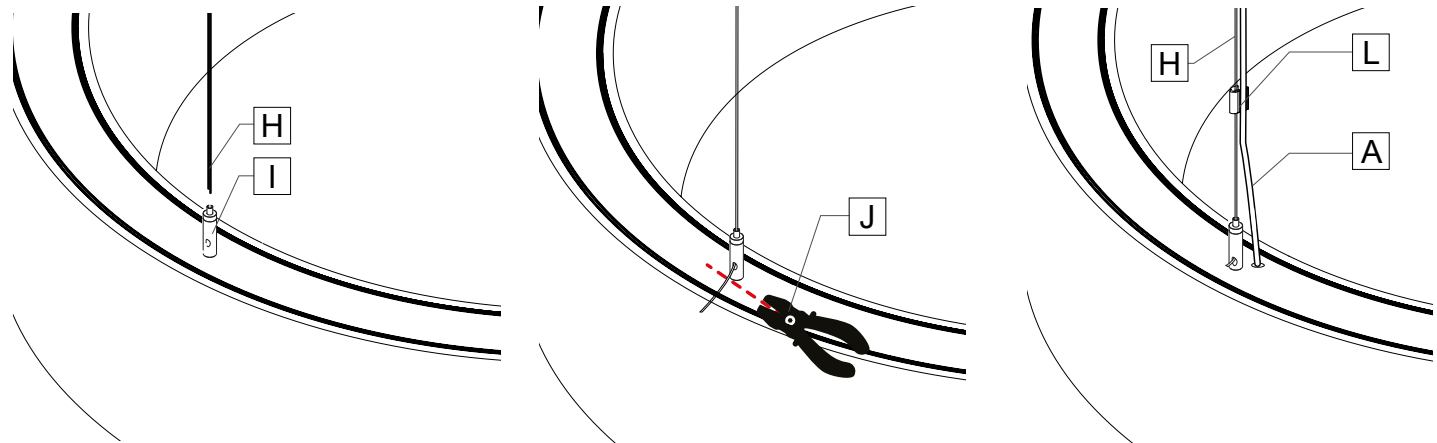


3 INSTALL AIRCRAFT CABLES.

Insert the aircraft cable [H] into the griplock [I]. Adjust the aircraft cable [H] length by pushing the feeder tube.

Cut the excess cable with an aircraft cable cutter [J].

Secure power cord [A] to aircraft cable [H] with plastic clip [L].



CURVIA ACOUSTIX

Pendant - Multiple Canopies

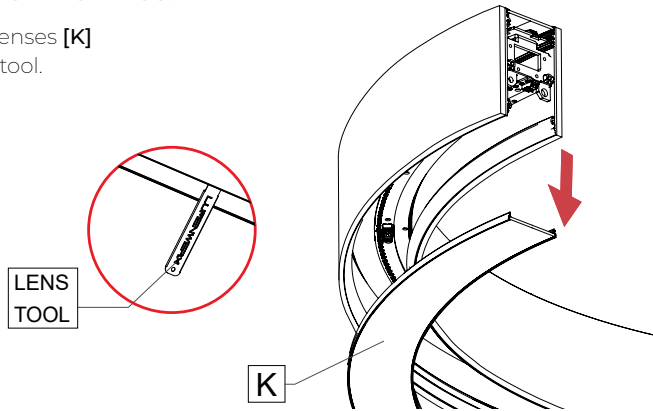


CONTINUOUS RUN - POWER CABLE + AIRCRAFT CABLE (AC)

1 FOR CONTINUOUS RUN, REPEAT STEPS 1 & 2 FROM THE SINGLE FIXTURE SECTION FOR THE FIRST FIXTURE IN THE RUN, THEN:

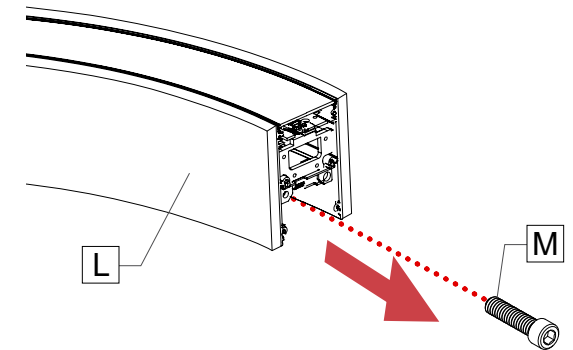
2 REMOVE OPTICS.

Remove lenses [K] with lens tool.



3 REMOVE THE JOINING SCREW.

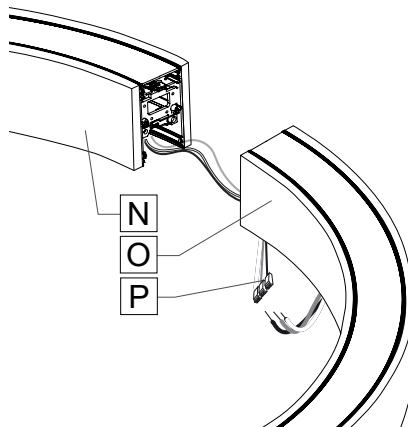
From all fixtures in the run [L], unscrew and remove screws [M]. Keep them in a safe place.



4 CONNECT WIRES.

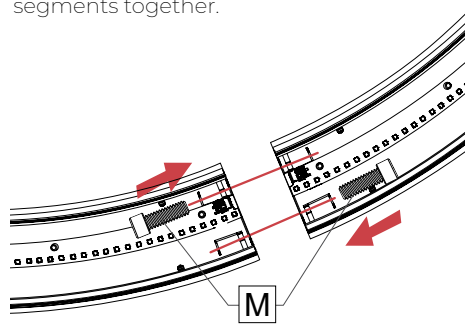
Push wires of the first segment [N] inside the next segment of the pattern [O].

Make the wire connections between the first segment [N] and the second segment [O] using the quick connectors [P]. Number of wires may vary.



5 JOIN THE FIXTURES.

Join fixtures. Put the provided screws [M] back in place using the provided 3/16" ball-end screwdriver. Make sure that no wires are placed in between the extrusions, preventing the fixtures to be joined. Tighten the screws [M] to pull the segments together.

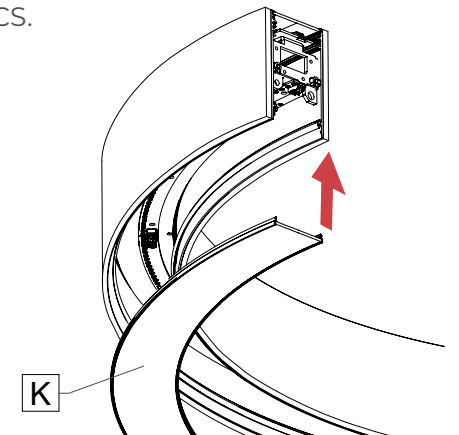


6 INSTALL AIRCRAFT CABLES BY FOLLOWING STEP 3 IN THE SINGLE FIXTURE SECTION.

7 REPEAT STEPS 2 TO 6 FOR ALL FIXTURES IN THE RUN.

8 REINSTALL OPTICS.

Reinstall lenses [K].



CURVIA ACOUSTIX

Pendant - Multiple Canopies



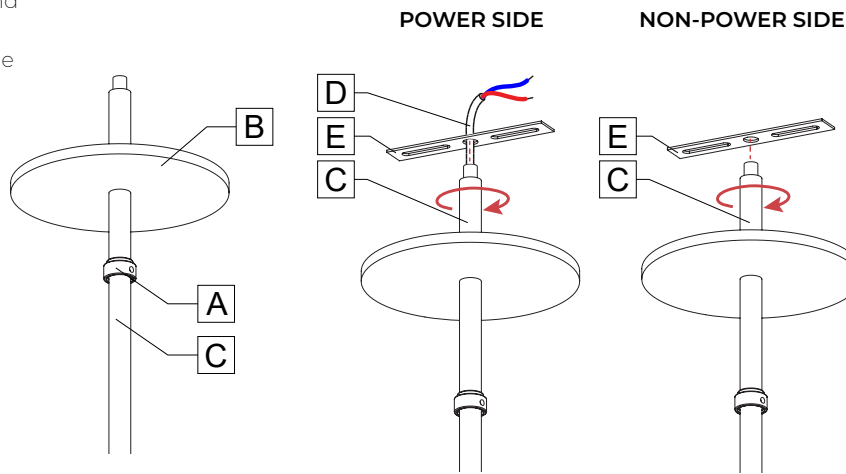
SINGLE FIXTURE - STEM

1 INSTALL STEM.

Slide the slip ring [A] and the canopy [B] over the stem [C] and leave some space.

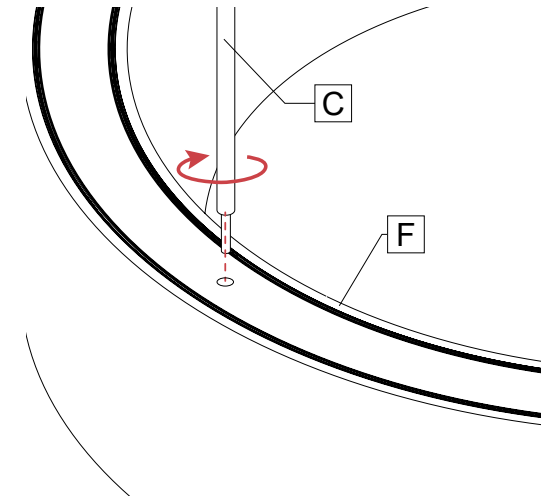
On power side, pass the power cord [D] through the stem [C] and the crossbar [E].

Screw the crossbar [E] onto the stem [C].



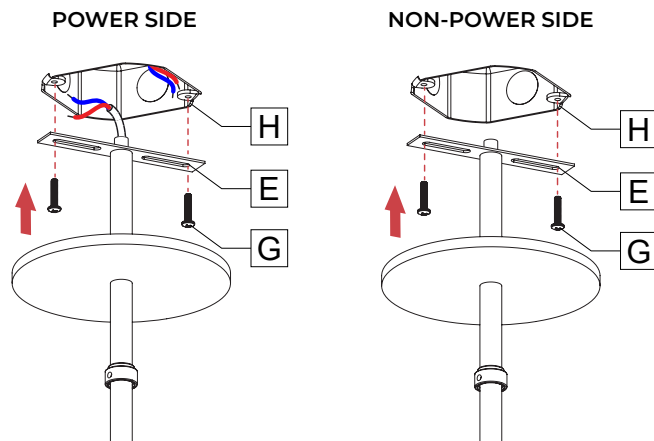
2 FIX STEM INTO THE FIXTURE.

Screw the stem [C] on the fixture [F].



3 FIX TO THE CEILING.

Raise the fixture and tighten the crossbar [E] with screws [C] (by others) to the junction box [H].

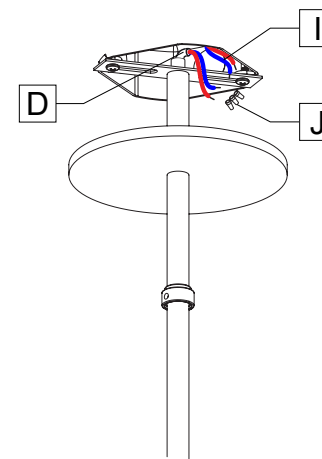


4 MAKE ELECTRICAL CONNECTIONS.

POWER SIDE

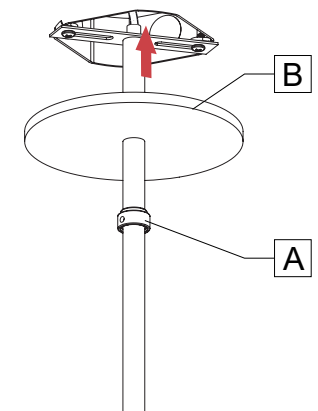
Make electrical connections between the power cord [D] and the remote driver or power feed [I] with wire nuts [J] (by others).

Warning: A luminaire with more than one power supply connection means shall be connected to only one branch circuit.



5 INSTALL CANOPY.

Slide the canopy [B] up and tighten with the slip ring [A].



CURVIA ACOUSTIX

Pendant - Multiple Canopies

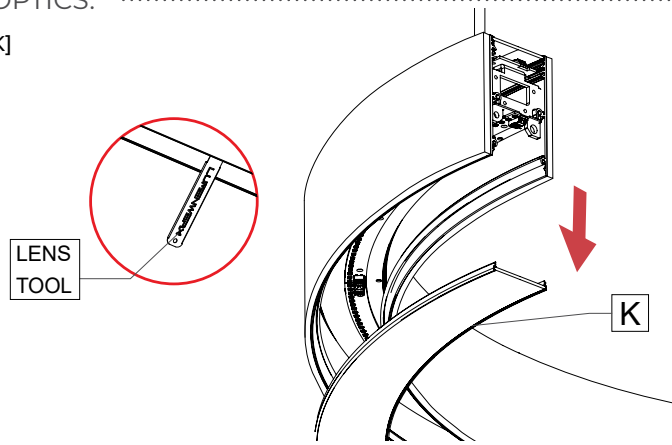


CONTINUOUS RUN - STEM

1 FOR CONTINUOUS RUN, REPEAT STEPS 1 TO 5 FROM THE SINGLE FIXTURE SECTION FOR THE FIRST FIXTURE IN THE RUN, THEN:

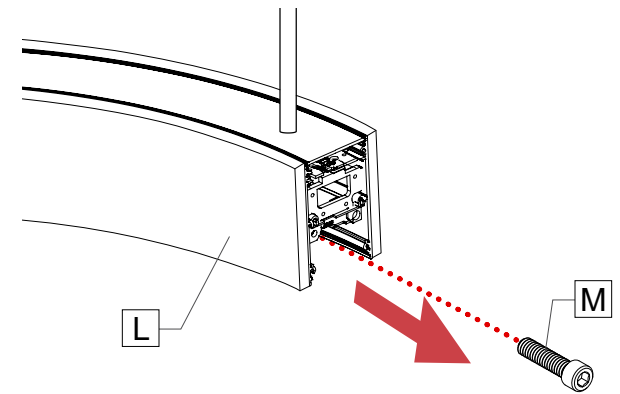
2 REMOVE OPTICS.

Remove lenses [K] with lens tool.



3 REMOVE THE JOINING SCREW.

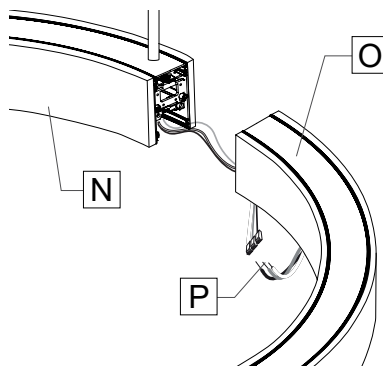
From all fixtures in the run [L], unscrew and remove screws [M]. Keep them in a safe place.



4 CONNECT WIRES.

Push wires of the first segment [N] inside the next segment of the pattern [O].

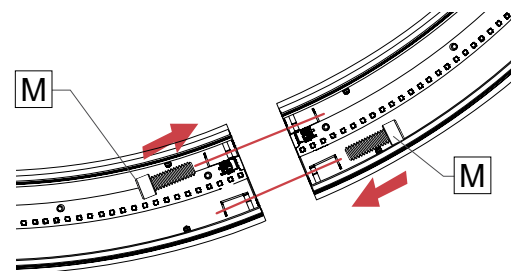
Make the wire connections between the first segment [N] and the second segment [O] using the quick connectors [P]. Number of wires may vary.



5 INSTALL STEMS BY FOLLOWING STEP 1 TO 3 & 5 IN THE SINGLE FIXTURE SECTION, TO THE NEXT SEGMENT IN THE RUN

6 JOIN THE FIXTURES.

Join fixtures. Put the provided screws [M] back in place using the provided 3/16" ball-end screwdriver. Make sure that no wires are placed in between the extrusions, preventing the fixtures to be joined. Tighten the screws [M] to pull the segments together.



7 REINSTALL OPTICS.

