

CURVIA ACOUSTIX

Pendant - Single Canopy



! This product must be installed in accordance with the National Electrical Code and all applicable local codes, by a person familiar with the construction and operation of the product, and the hazards involved. Proper grounding is required for safety.

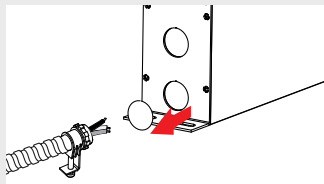
Ce produit doit être installé suivant le code national de l'électricité, ainsi que tous les codes locaux applicables, par une personne familière avec la construction et le fonctionnement du produit, ainsi que tous les risques qui y sont associés. La mise à terre électrique est obligatoire pour la sécurité.

! Wire dimming conductors as Class 1.

💡 For electrical connections, please refer to the [wiring diagram guide](#).



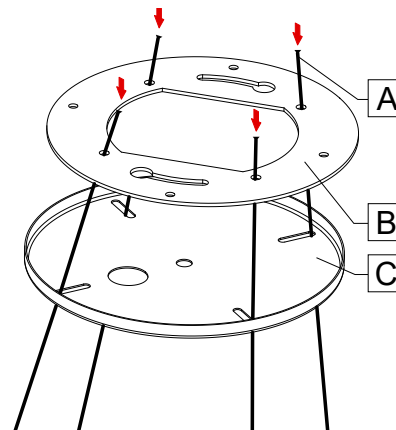
💡 For remote driver box, please refer to the [remote driver installation sheet](#) for more information.



AC (Power cord + aircraft cable)

1 INSTALL AIRCRAFT CABLE.

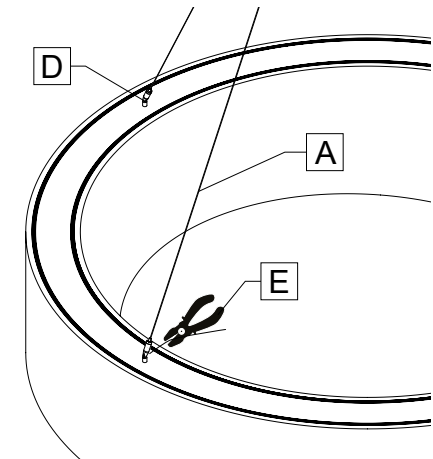
Pass the aircraft cables **[A]** through the cable holder plate **[B]** and the canopy **[C]**.



2 FIX CABLE TO FIXTURE.

Insert the aircraft cable **[A]** into the cable grippers **[D]** on the fixture.

Cut the excess cable with an aircraft cable cutter **[E]**.

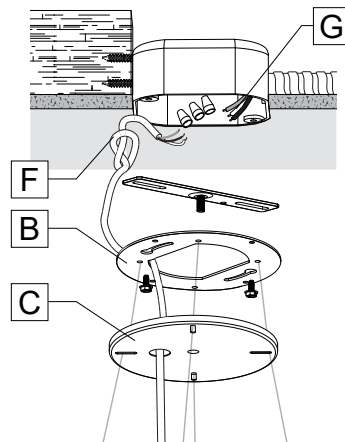


3 MAKE ELECTRICAL CONNECTIONS.

Locate ceiling mounting points according to supplied client drawing. Pass the power cord **[F]** into the canopy **[C]** and holder plate **[B]** and make a knot.

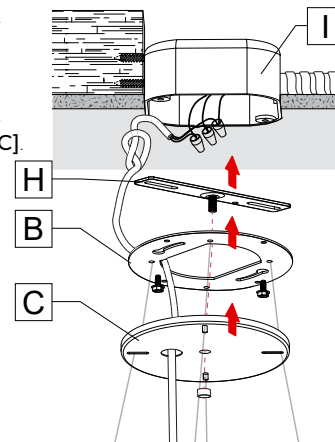
Make electrical connections between the power cord **[F]** and the remote driver or power feed **[G]**.

Warning: A luminaire with more than one power supply connection means shall be connected to only one branch circuit.



4 INSTALL CANOPY.

Install the cross bar **[H]** and the cable holder plate **[B]** on the junction box **[I]**. Install the canopy **[C]**.



5 SECURE POWER CORD.

Secure the power cord **[F]** to the aircraft cable **[A]** with plastic clip **[J]**.

