

### OVERVIEW

**!** This product must be installed in accordance with the National Electrical Code and all applicable local codes, by a person familiar with the construction and operation of the product, and the hazards involved. Proper grounding is required for safety.

Ce produit doit être installé suivant le code national de l'électricité, ainsi que tous les codes locaux applicables, par une personne familière avec la construction et le fonctionnement du produit, ainsi que tous les risques qui y sont associés. La mise à terre électrique est obligatoire pour la sécurité.

**!** Wire dimming conductors as Class 1.

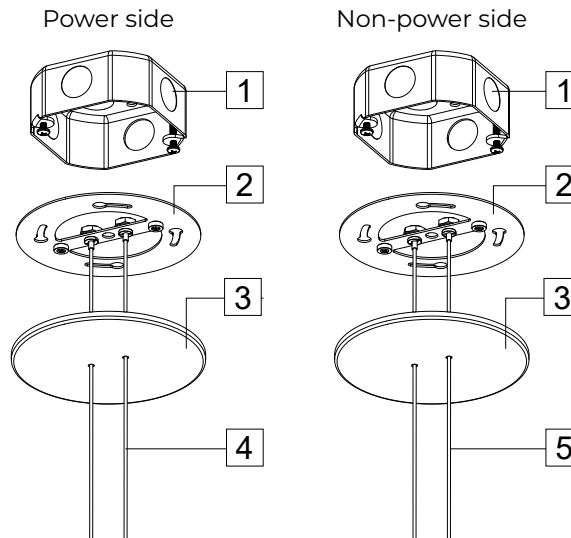
**💡** For electrical connections, follow the wiring diagrams on page 6 according to specified drivers in product configuration.

**💡** For remote driver box, please refer to the [remote driver installation sheet](#) for more information.

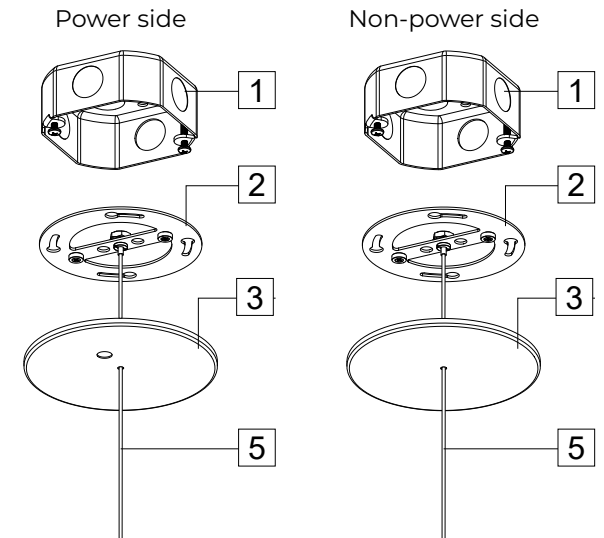
**!** Do not cover the light element lens or heatsink with any materials or adhesive tapes when the fixture is powered.

**!** Handle the LED cartridge carefully during removal and installation. Tools must not touch the LED chips. Contact may result in damage and LED failure.

#### POC Power-over-aircraft cable



#### AC Power cable + aircraft cable



#### Index

Go to pages related to product configuration.

POC.....P.2

AC.....P.4

Wiring diagrams.....P.6

#### Items list

1	Standard J-box (by others)
2	Mounting plate
3	Flat round canopy
4	Power-over-aircraft cable
5	Aircraft cable

# CURVIA MINI

## Pendant - Remote Driver Box (RDB) - Multiple Canopies

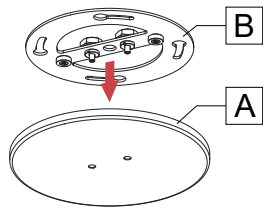
LUMENWERX

POC (Power-over-aircraft cable)

Power side

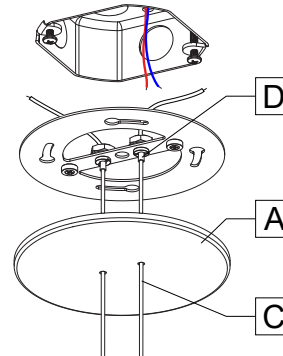
### 1 INSTALL AIRCRAFT CABLES.

Install and reinforce J-box to ceiling structure. Separate the canopy [A] from the mounting plate [B].



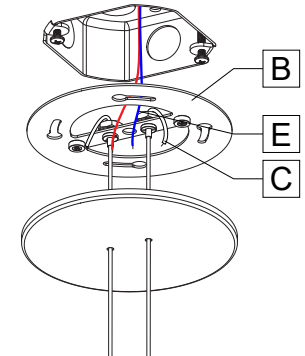
Pass the aircraft cables [C] through the canopy [A]. Insert them into the griplocks [D] then adjust the cables [C] by pushing the feeder tube [D].

**Note:** Make sure to have a steady hold of the fixture. It should never hang loosely from the POC (power-over-aircraft cable) if the installation is not complete.



Pull the aircraft cables [C] and remote driver feed [E] out through the mounting plate [B] to make easy electrical connections.

**Notes:** Height adjustment of the fixture must be done at this step.



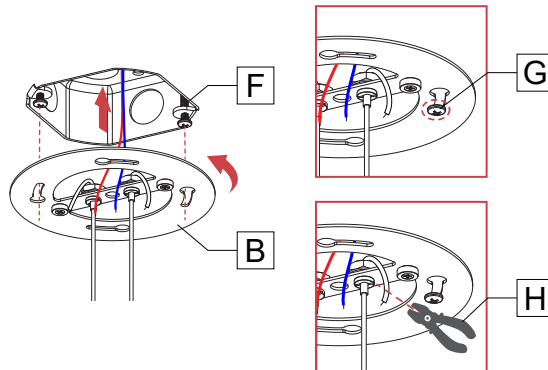
### 2 FIX MOUNTING PLATE TO CEILING.

Mount and turn the mounting plate [B] to place on the junction box [F].

Tighten screws [G] to secure the mounting plate [B] to the junction box.

Cut the excess cables with an aircraft cable cutter [H].

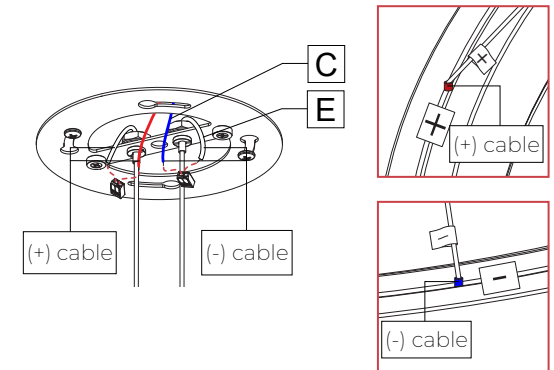
**Note:** Leave POC length of 1.5" to make the connection inside the junction box.



### 3 MAKE ELECTRICAL CONNECTIONS.

Make electrical connections between POC (power-over-aircraft cable) [C] and the remote driver feed [E].

**Notes:** Make sure that you are connecting the negative (-) POC (as mark on the fixture with blue color and a label) to your negative wire and the positive (+) POC (as mark on the fixture with red color and a label) to your positive wire.



# CURVIA MINI

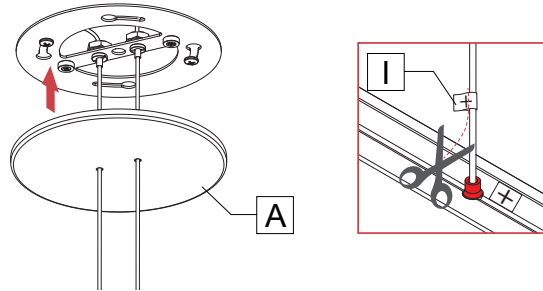
## Pendant - Remote Driver Box (RDB) - Multiple Canopies

LUMENWERX

### 4 REINSTALL CANOPY.

Push all cables in the junction box, and put the canopy [A] back in place.

Cut the labels [I] off the wires.



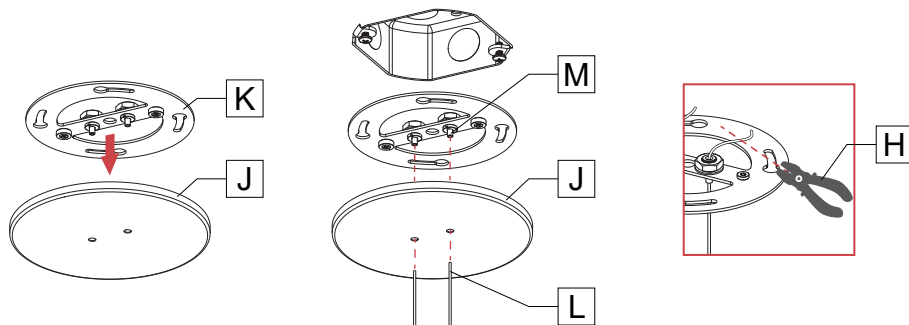
### Non-power side

### 1 INSTALL AIRCRAFT CABLES.

Separate the canopy [J] from the mounting plate [K].

Pass the aircraft cables [L] through the canopy [J]. Insert them into the griplocks [M] then adjust the cables [L] by pushing the feeder tube [M].

Cut the excess cables with an aircraft cable cutter [H].

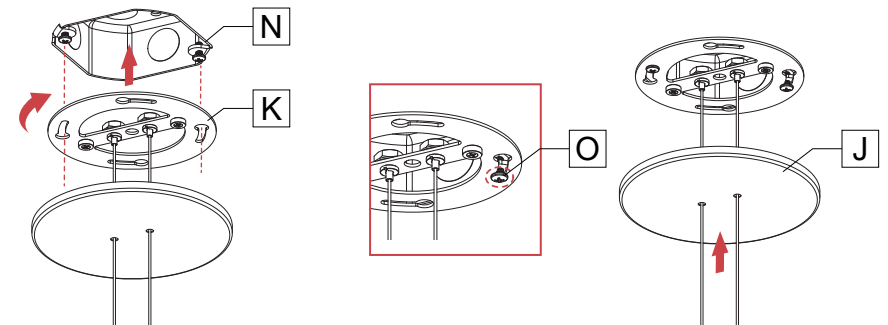


### 2 FIX MOUNTING PLATE AND CANOPY TO CEILING.

Mount and turn the mounting plate [K] to place on the junction box [N].

Tighten screws [O] to secure the mounting plate [K] to the junction box.

Put the canopy [J] back in place.



# CURVIA MINI

## Pendant - Remote Driver Box (RDB) - Multiple Canopies

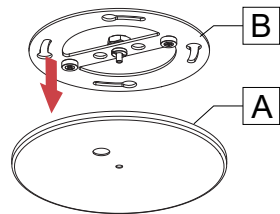
LUMENWERX

AC (Power cord + aircraft cable)

Power side

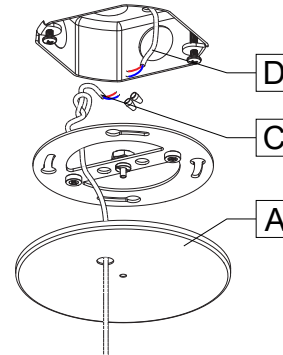
### 1 MAKE ELECTRICAL CONNECTIONS.

Install and reinforce J-box to ceiling structure. Separate the canopy [A] from the mounting plate [B].



Pass the power cord [C] into the canopy [A] and make a knot. Make electrical connections between the power cord [C] and the remote driver feed [D].

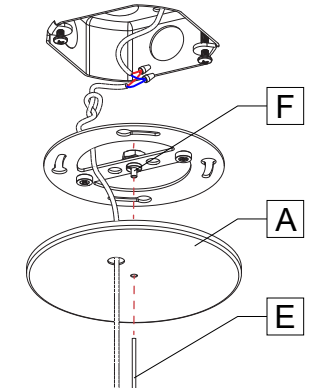
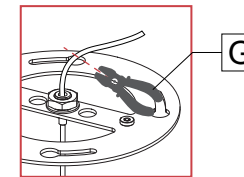
**Warning:** A luminaire with more than one power supply connection means shall be connected to only one branch circuit.



### 2 INSTALL AIRCRAFT CABLE.

Pass the aircraft cable [E] through the canopy [A]. Insert it into the griplock [F] then adjust the cable [E] by pushing the feeder tube [F].

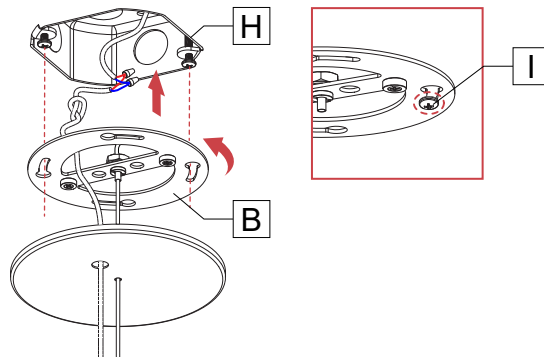
Cut the excess cable with an aircraft cable cutter [G].



### 3 FIX MOUNTING PLATE TO CEILING.

Mount and turn the mounting plate [B] to place on the junction box [H].

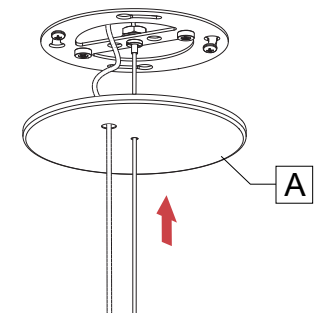
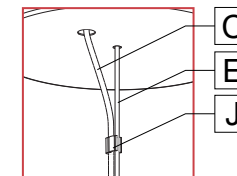
Tighten screws [I] to secure the mounting plate [B] to the junction box.



### 4 REINSTALL CANOPY.

Secure the power cord [C] to the aircraft cable [E] with plastic clip [J].

Put the canopy [A] back in place.



# CURVIA MINI

## Pendant - Remote Driver Box (RDB) - Multiple Canopies

LUMENWERX

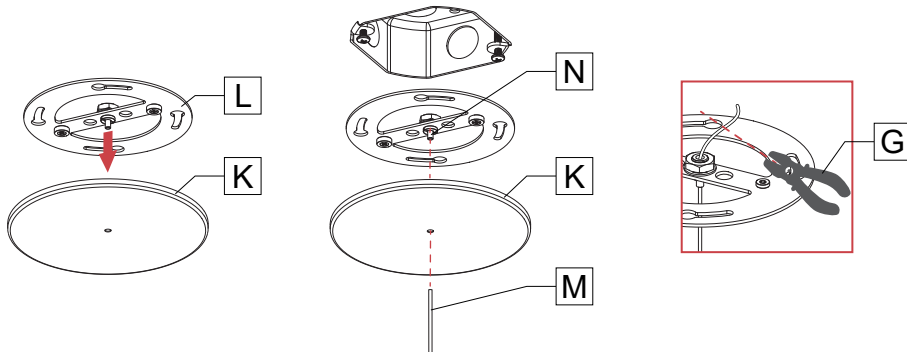
Non-power side

### 1 INSTALL AIRCRAFT CABLE.

Separate the canopy [K] from the mounting plate [L].

Pass the aircraft cable [M] through the canopy [K]. Insert it into the griplock [N] then adjust the cable [M] by pushing the feeder tube [N].

Cut the excess cable with an aircraft cable cutter [G].

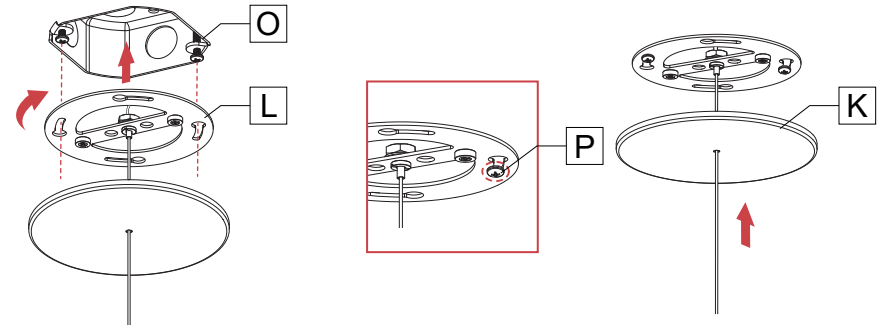


### 2 FIX MOUNTING PLATE AND CANOPY TO CEILING.

Mount and turn the mounting plate [L] to place on the junction box [O].

Tighten screws [P] to secure the mounting plate [L] to the junction box.

Put the canopy [K] back in place.



# CURVIA MINI

## Pendant - Remote Driver Box (RDB) - Multiple Canopies

LUMENWERX

### WIRING DIAGRAMS (1 Circuit)

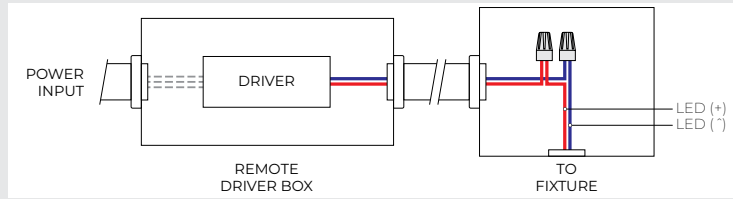
For electrical connections, follow the wiring diagrams according to specified drivers in product configuration.

#### REMOTE DRIVER - STATIC WHITE

RED	LED (+)
BLUE	LED (-)

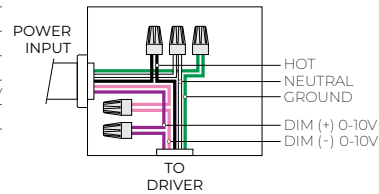
**Note:**  
For remote driver wiring in the remote driver box (RDB), refer to the applicable driver wiring.

For max wire distance from driver, please check our website: [WWW.LUMENWERX.COM](http://WWW.LUMENWERX.COM)



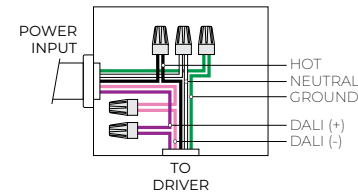
#### RD1 / RELD1 / RELO0

BLACK	HOT
WHITE	NEUTRAL
GREEN	GROUND
PURPLE	DIM (+) 0-10V
PINK or GRAY	DIM (-) 0-10V



#### RDA

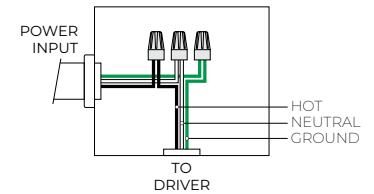
BLACK	HOT
WHITE	NEUTRAL
GREEN	GROUND
PURPLE	DALI (+)
PINK or GRAY	DALI (-)



#### RLTEA2W

BLACK	HOT
WHITE	NEUTRAL
GREEN	GROUND

Note:  
120V max input voltage



#### RLDE1

BLACK	HOT
WHITE	NEUTRAL
GREEN	GROUND
PURPLE	E1 TO ECOSYSTEM DIGITAL LINK
PINK or GRAY	E2 TO ECOSYSTEM DIGITAL LINK

