

**!** This product must be installed in accordance with the National Electrical Code and all applicable local codes, by a person familiar with the construction and operation of the product, and the hazards involved. Proper grounding is required for safety.

Ce produit doit être installé suivant le code national de l'électricité, ainsi que tous les codes locaux applicables, par une personne familière avec la construction et le fonctionnement du produit, ainsi que tous les risques qui y sont associés. La mise à terre électrique est obligatoire pour la sécurité.

**!** Wire dimming conductors as Class 1.

**!** For electrical connections, follow the wiring diagrams on page 6 according to specified drivers in product configuration.

**!** For remote driver box, please refer to the [remote driver installation sheet](#) for more information.

**!** Do not cover the light element lens or heatsink with any materials or adhesive tapes when the fixture is powered.

**!** Handle the LED cartridge carefully during removal and installation. Tools must not touch the LED chips. Contact may result in damage and LED failure.

### Index

Go to pages related to product configuration.

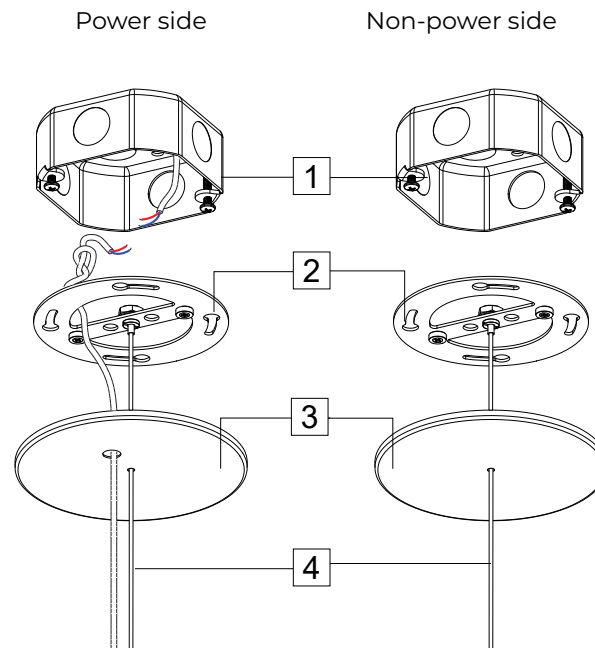
AC SINGLE FIXTURE..... P.2  
 AC CONT. RUN..... P.3  
 STEM SINGLE FIXTURE.. P.4  
 STEM CONT. RUN..... P.5  
 Wiring diagrams..... P.6

### Items list

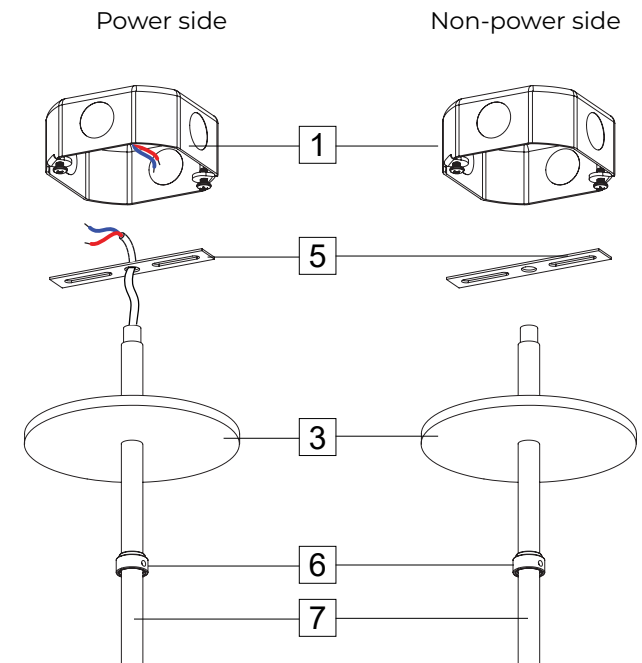
1	J-box (by others)
2	Mounting plate
3	Flat round canopy
4	Aircraft cable
5	Crossbar
6	Slip ring
7	Stem

## OVERVIEW

### AC - Power cable + aircraft cable



### Stem



# CURVIA

## Pendant - Multiple Canopies

LUMENWERX

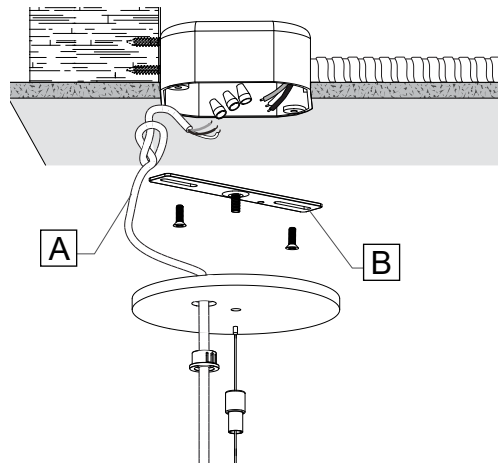
### SINGLE FIXTURE - POWER CABLE + AIRCRAFT CABLE (AC)

#### 1 MAKE ELECTRICAL CONNECTIONS TO THE MAIN POWER.

Locate ceiling mounting points according to supplied client drawing. Make a knot in the power cord [A] and then connect it to the ceiling power feed. Secure crossbar [B] on the j-box (by others).

**NOTE:** Number of wires may vary.

**Warning:** A luminaire with more than one power supply connection means shall be connected to only one branch circuit.



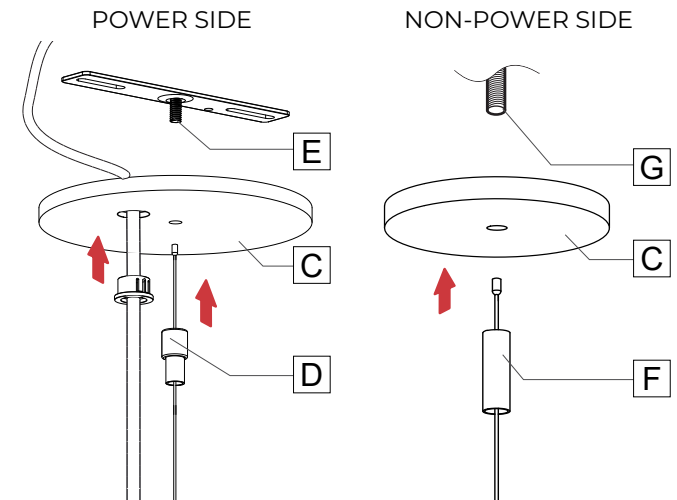
#### 2 INSTALL ALL OF THE CANOPIES.

##### POWER SIDE

Secure canopy [C] with slip ring [D] on threaded rod [E] on the crossbar.

##### NON-POWER SIDE

Secure canopy [C] with cable coupler [F] on threaded rod (1/4"-20) [G] (by others).

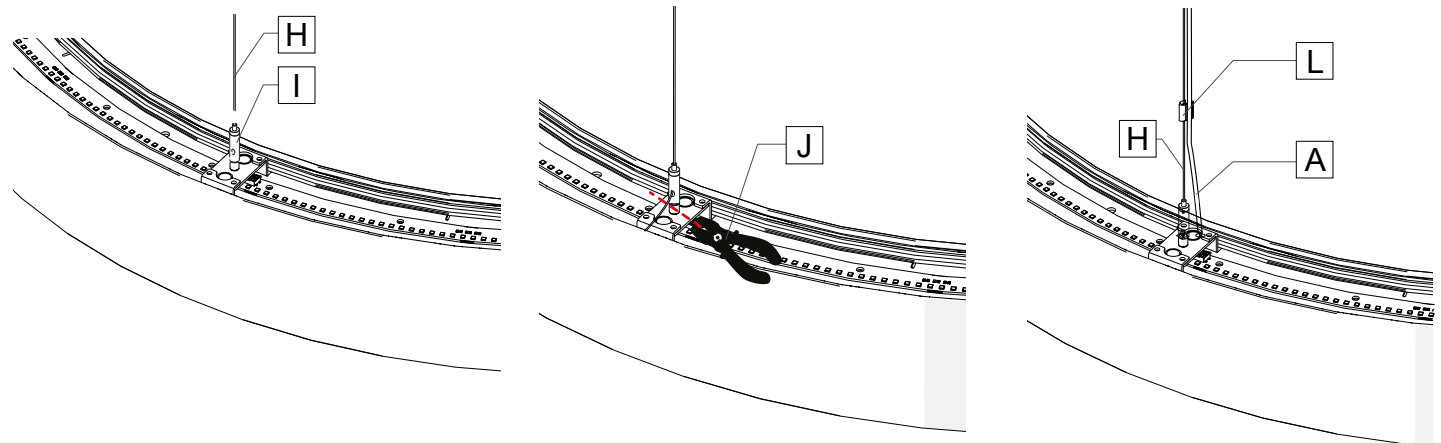


#### 3 INSTALL AIRCRAFT CABLES.

Insert the aircraft cable [H] into the griplock [I]. Adjust the aircraft cable [H] length by pushing the feeder tube.

Cut the excess cable with an aircraft cable cutter [J].

Secure power cord [A] to aircraft cable [H] with plastic clip [L].



# CURVIA

## Pendant - Multiple Canopies

LUMENWERX

CONTINUOUS RUN - POWER CABLE + AIRCRAFT CABLE (AC)

**1** FOR CONTINUOUS RUN, REPEAT STEPS 1 & 2 FROM THE SINGLE FIXTURE SECTION FOR THE FIRST FIXTURE IN THE RUN, THEN:

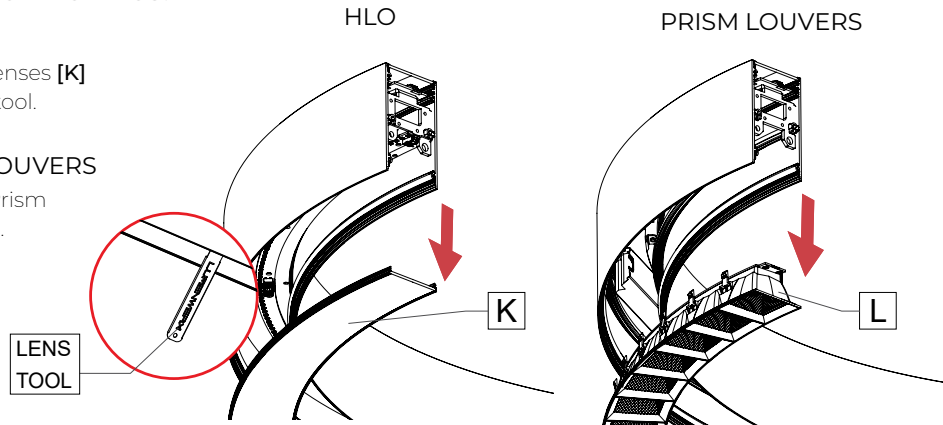
**2** REMOVE OPTICS.

**HLO**

Remove lenses [K] with lens tool.

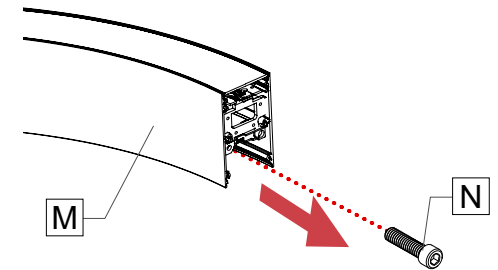
**PRISM LOUVERS**

Remove Prism louvers [L].



**3** REMOVE THE JOINING SCREW.

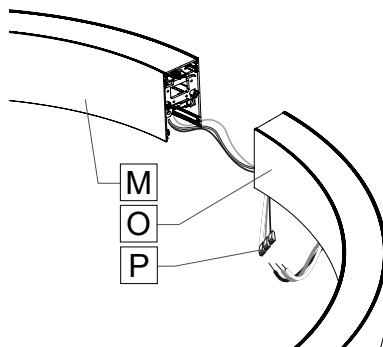
From all fixtures in the run [M], unscrew and remove screws [N]. Keep them in a safe place.



**4** CONNECT WIRES.

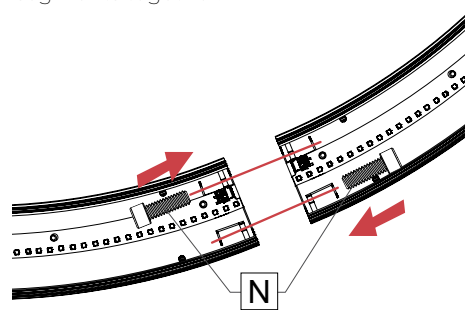
Push wires of the first segment [M] inside the next segment of the pattern [O].

Make the wire connections between the first segment [M] and the second segment [O] using the quick connectors [P]. Number of wires may vary.



**5** JOIN THE FIXTURES.

Join fixtures. Put the provided screws [N] back in place using the provided 3/16" ball-end screwdriver. Make sure that no wires are placed in between the extrusions, preventing the fixtures to be joined. Tighten the screws [N] to pull the segments together.



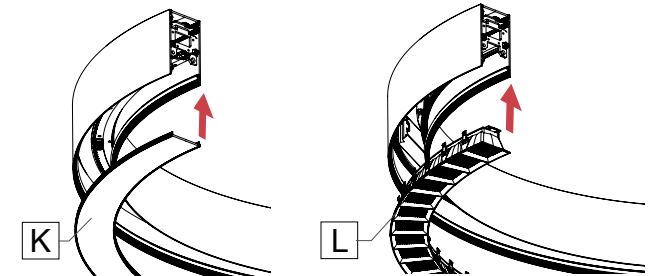
**6** INSTALL AIRCRAFT CABLES BY FOLLOWING STEP 3 IN THE SINGLE FIXTURE SECTION.

**7** REPEAT STEPS 2 TO 6 FOR ALL FIXTURES IN THE RUN.

**8** REINSTALL OPTICS.

**HLO**  
Reinstall lenses [K].

**PRISM LOUVERS**  
Reinstall Prism louvers [L].



# CURVIA

## Pendant - Multiple Canopies

LUMENWERX

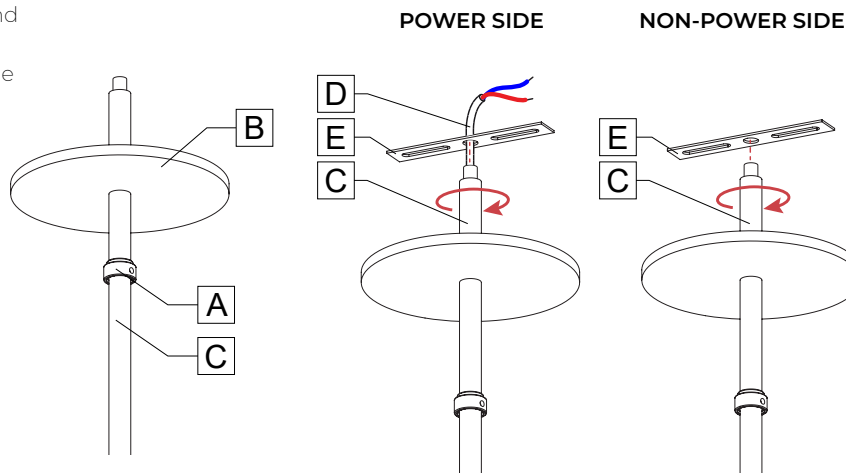
### SINGLE FIXTURE - STEM

#### 1 INSTALL STEM.

Slide the slip ring [A] and the canopy [B] over the stem [C] and leave some space.

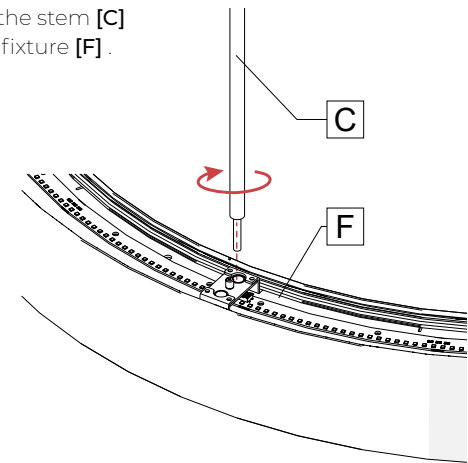
On power side, pass the power cord [D] through the stem [C] and the crossbar [E].

Screw the crossbar [E] onto the stem [C].



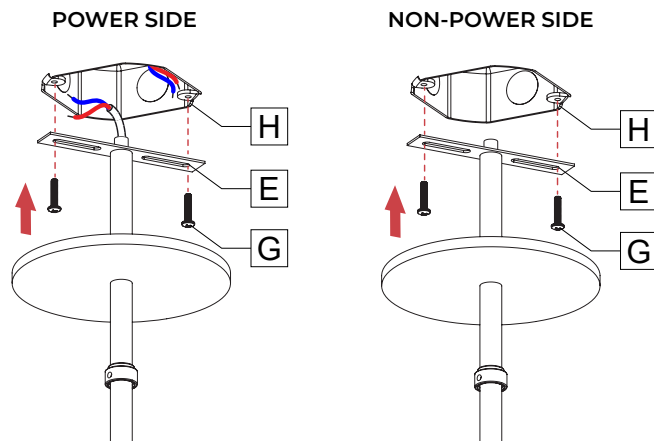
#### 2 FIX STEM INTO THE FIXTURE.

Screw the stem [C] on the fixture [F].



#### 3 FIX TO THE CEILING.

Raise the fixture and tighten the crossbar [E] with screws [C] (by others) to the junction box [H].

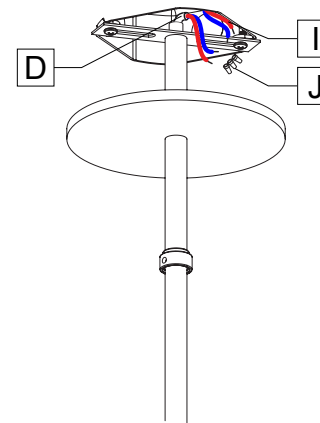


#### 4 MAKE ELECTRICAL CONNECTIONS.

##### POWER SIDE

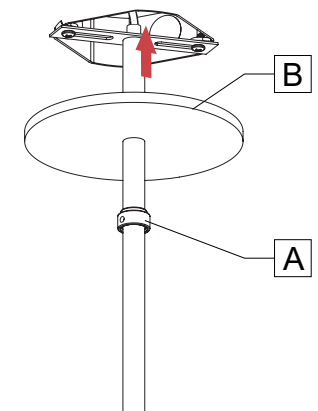
Make electrical connections between the power cord [D] and the remote driver or power feed [I] with wire nuts [J] (by others).

**Warning:** A luminaire with more than one power supply connection means shall be connected to only one branch circuit.



#### 5 INSTALL CANOPY.

Slide the canopy [B] up and tighten with the slip ring [A].



# CURVIA

## Pendant - Multiple Canopies

LUMENWERX

### CONTINUOUS RUN - STEM

**1** FOR CONTINUOUS RUN, REPEAT STEPS 1 TO 5 FROM THE SINGLE FIXTURE SECTION FOR THE FIRST FIXTURE IN THE RUN, THEN:

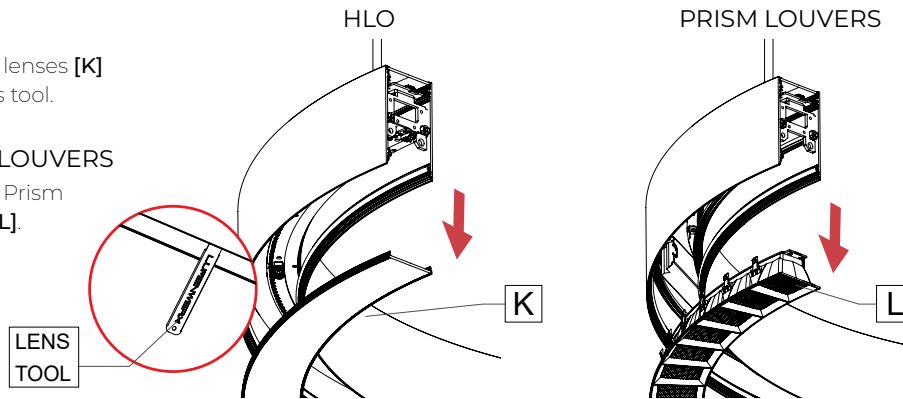
**2** REMOVE OPTICS.

#### HLO

Remove lenses [K] with lens tool.

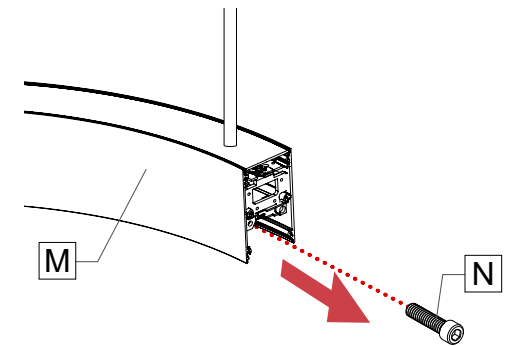
#### PRISM LOUVERS

Remove Prism louvers [L].



**3** REMOVE THE JOINING SCREW.

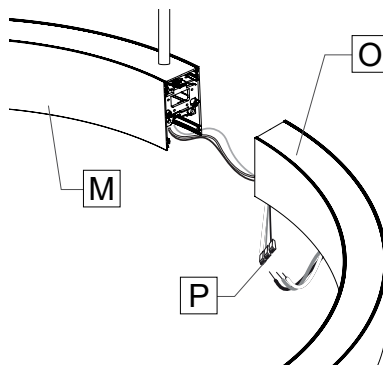
From all fixtures in the run [M], unscrew and remove screws [N]. Keep them in a safe place.



**4** CONNECT WIRES.

Push wires of the first segment [M] inside the next segment of the pattern [O].

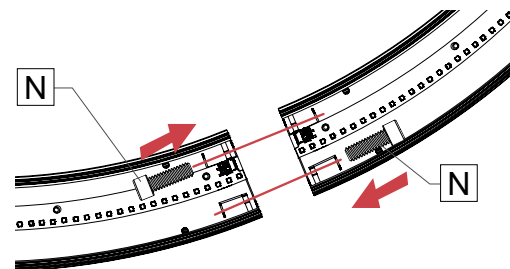
Make the wire connections between the first segment [M] and the second segment [O] using the quick connectors [P]. Number of wires may vary.



**5** INSTALL STEMS BY FOLLOWING STEP 1 TO 3 & 5 IN THE SINGLE FIXTURE SECTION, TO THE NEXT SEGMENT IN THE RUN.

**6** JOIN THE FIXTURES.

Join fixtures. Put the provided screws [N] back in place using the provided 3/16" ball-end screwdriver. Make sure that no wires are placed in between the extrusions, preventing the fixtures to be joined. Tighten the screws [N] to pull the segments together.



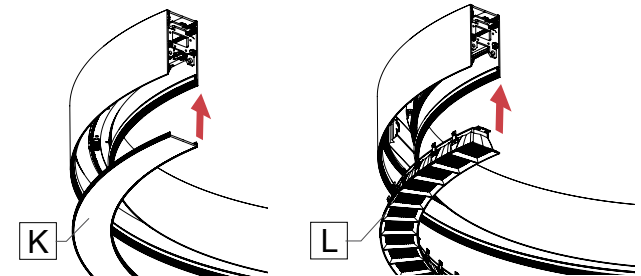
**7** REINSTALL OPTICS.

#### HLO

Reinstall lenses [K].

#### PRISM LOUVERS

Reinstall Prism louvers [L].



### WIRING DIAGRAMS (1 Circuit)

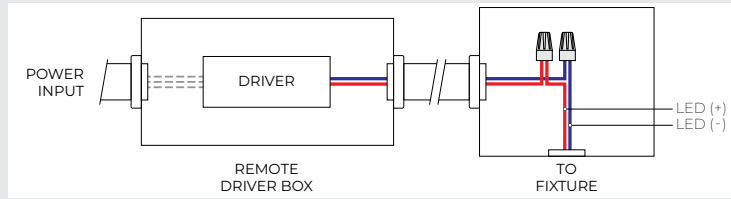
For electrical connections, follow the wiring diagrams according to specified drivers in product configuration.

#### REMOTE DRIVER - STATIC WHITE

RED	LED (+)
BLUE	LED (-)

**Note:**  
For remote driver wiring in the remote driver box (RDB), refer to the applicable integral driver wiring.

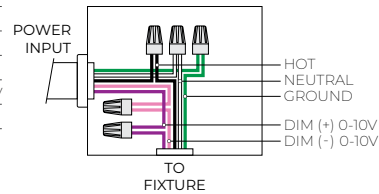
For max wire distance from driver, please check our website: [WWW.LUMENWERX.COM](http://WWW.LUMENWERX.COM)



#### INTEGRAL DRIVER - STATIC WHITE

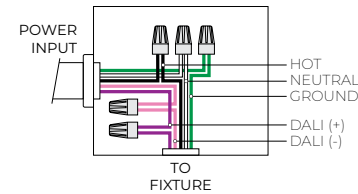
##### D1 / ELD1 / ELDO

BLACK	HOT
WHITE	NEUTRAL
GREEN	GROUND
PURPLE	DIM (+) 0-10V
PINK or GRAY	DIM (-) 0-10V



##### DA

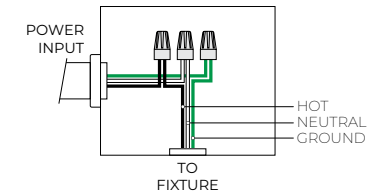
BLACK	HOT
WHITE	NEUTRAL
GREEN	GROUND
PURPLE	DALI (+)
PINK or GRAY	DALI (-)



##### LTEA2W

BLACK	HOT
WHITE	NEUTRAL
GREEN	GROUND

Note:  
120V max input voltage



##### LDE1

BLACK	HOT
WHITE	NEUTRAL
GREEN	GROUND
PURPLE	E1 TO ECOSYSTEM
PINK or GRAY	E2 DIGITAL LINK

