

CURVIA

Recessed - Drywall Trim

LUMENWERX



This product must be installed in accordance with the National Electrical Code and all applicable local codes, by a person familiar with the construction and operation of the product, and the hazards involved. Proper grounding is required for safety.

Ce produit doit être installé suivant le code national de l'électricité, ainsi que tous les codes locaux applicables, par une personne familière avec la construction et le fonctionnement du produit, ainsi que tous les risques qui y sont associés. La mise à terre électrique est obligatoire pour la sécurité.



Wire dimming conductors as Class 1.



For electrical connections, follow the wiring diagrams on page 5 according to specified drivers in product configuration.



Shown with Curvia 2 and applies to 3 and 4 too.



For remote driver box, please refer to the [remote driver installation sheet](#) for more information.



Do not cover the light element lens or heatsink with any materials or adhesive tapes when the fixture is powered.



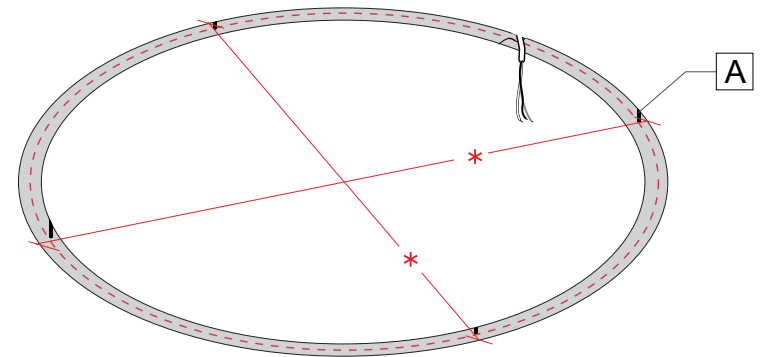
Handle the LED cartridge carefully during removal and installation. Tools must not touch the LED chips. Contact may result in damage and LED failure.

SINGLE FIXTURE

1 PREPARE THE CEILING.

Prepare the area where the fixture is going to be installed. Cut hole in the drywall and locate the threaded rods **[A]** according to the dimensions **[*]** given in the client drawings.

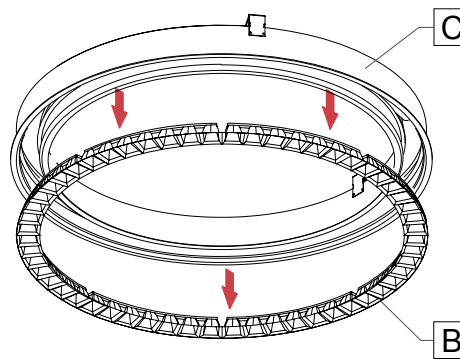
Number of threaded rods may vary.



2 REMOVE OPTICS.

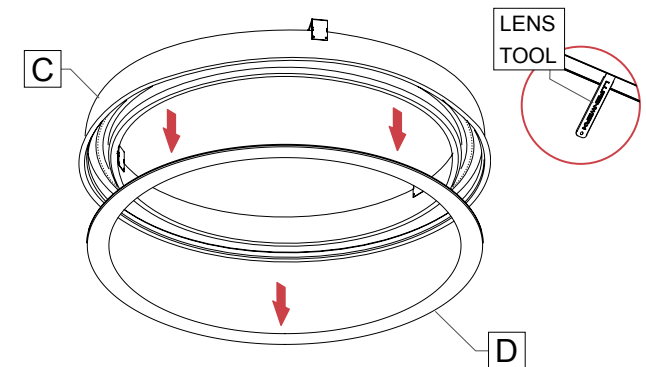
DIAMOND PRISM OPTIC

Remove louvers **[B]** from the fixture **[C]**.



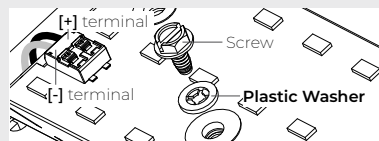
HLO

Remove the lens **[D]** from the fixture **[C]** using the provided lens tool and keep in a safe place.



Cartridge reflector must be reinstalled with the screw and plastic washer that was originally supplied. If not, it can result in an electrical failure.

Make sure to reconnect the wires to the LED boards correctly.



Note: Manipulate carefully as to not scratch paint or damage lens.

CURVIA

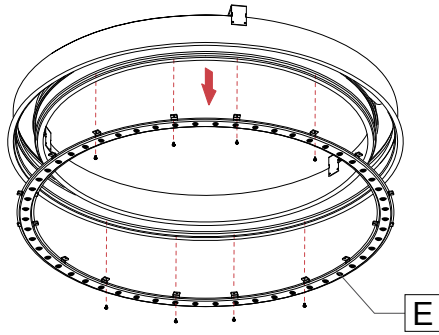
Recessed - Drywall Trim

LUMENWERX

3 UNSCREW CARTRIDGES.

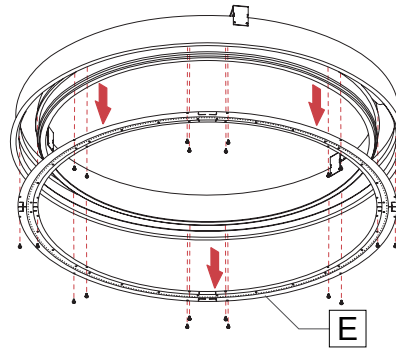
DIAMOND PRISM OPTIC

Unscrew and remove cartridge(s) [E].



HLO

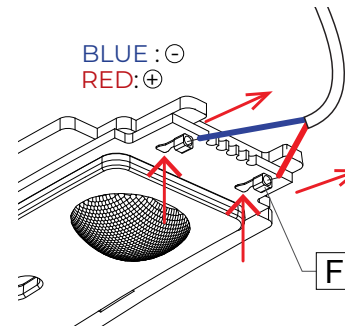
Unscrew and remove cartridge(s) [E].



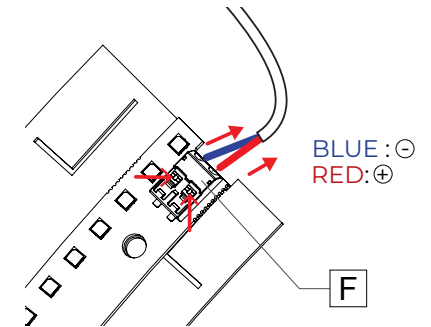
4 DISCONNECT LED AND REMOVE CARTRIDGES.

Disconnect LED molex connector [F] by taking a pointed object and pressing on the two tabs on the top.

DIAMOND PRISM OPTIC



HLO



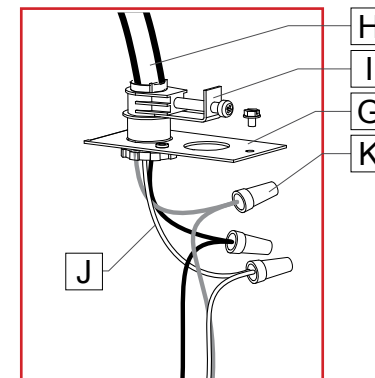
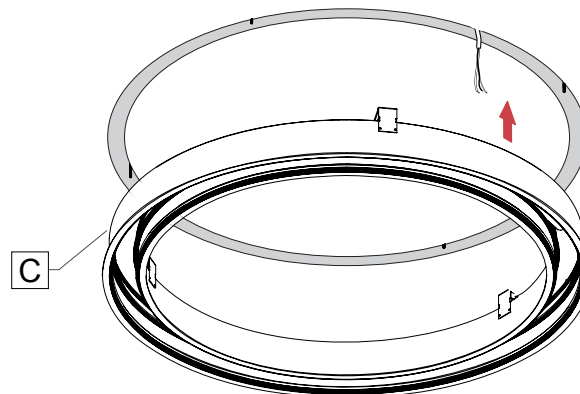
5 MAKE ELECTRICAL CONNECTIONS.

Remove the power plate [G] from the fixture [C].
Install power cable [H] (by others) through the BX connector [I] (by others) and install onto the power plate [G] provided.

Make electrical connections between power cable [H] and fixture cables [J] using wire nuts [K].
Reinstall the power plate [G] to the fixture [C].

Note: Number of wires may vary.

Warning: A luminaire with more than one power supply connection means shall be connected to only one branch circuit.

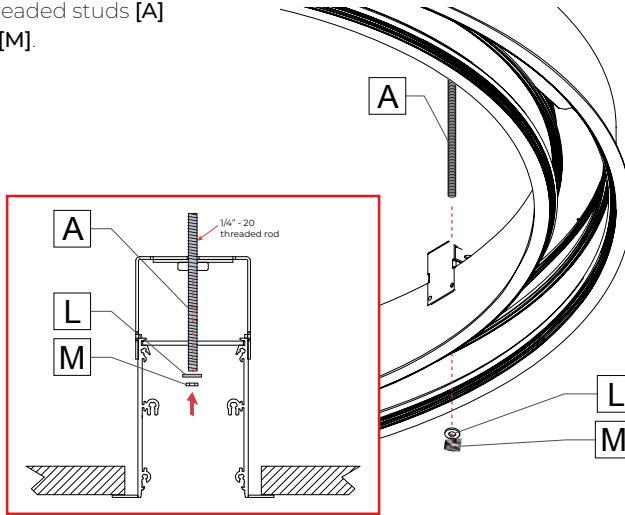


CURVIA

Recessed - Drywall Trim

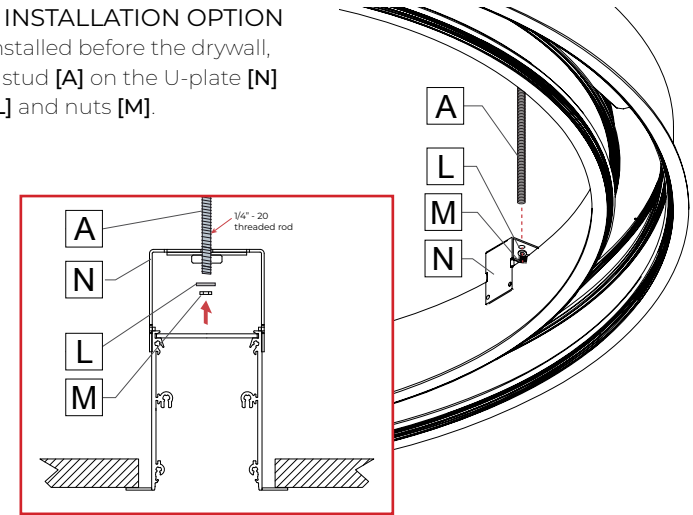
6 INSTALL THE FIXTURE.

Fasten fixture to 1/4" - 20 threaded studs [A] using washers [L] and nuts [M].



ALTERNATIVE INSTALLATION OPTION

If the fixture is installed before the drywall, fasten threaded stud [A] on the U-plate [N] using washers [L] and nuts [M].



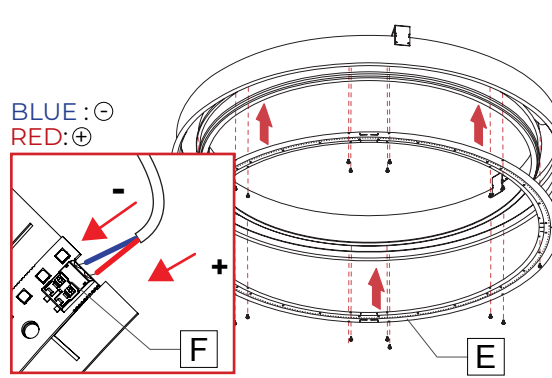
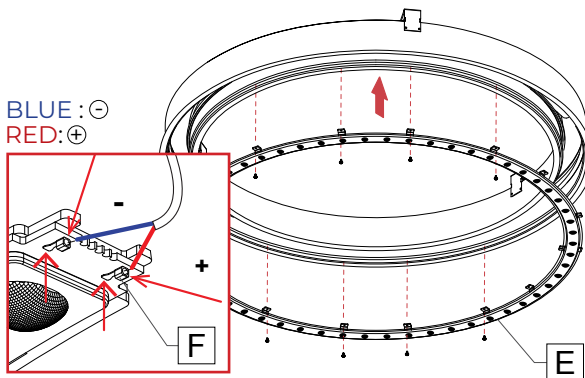
7 RECONNECT LED AND REINSTALL CARTRIDGES.

Reconnect the LED connector [F] to the cartridge [E]. Reinstall the cartridge [E].

NOTE: Connect Blue wire into the [-] negative terminal and the Red wire into the [+] positive terminal.

DIAMOND PRISM OPTIC

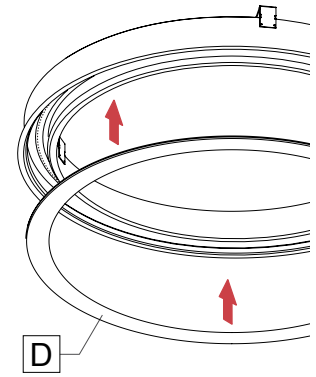
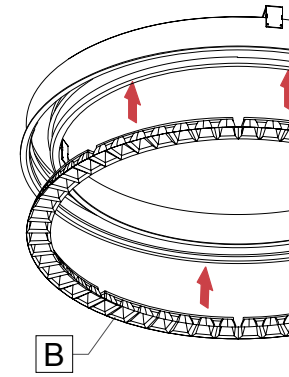
HLO



8 REINSTALL OPTICS.

DIAMOND PRISM OPTIC

HLO



CURVIA

Recessed - Drywall Trim

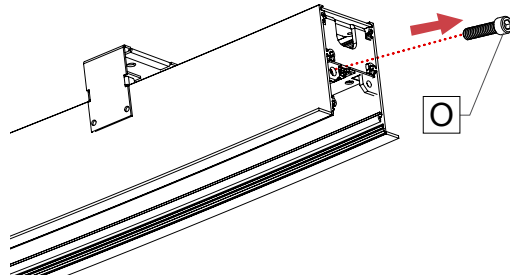
LUMENWERX

CONTINUOUS RUN

1 FOR CONTINUOUS RUN, REPEAT STEPS 1 - 6 FROM THE SINGLE FIXTURE SECTION FOR THE FIRST FIXTURE IN THE RUN.

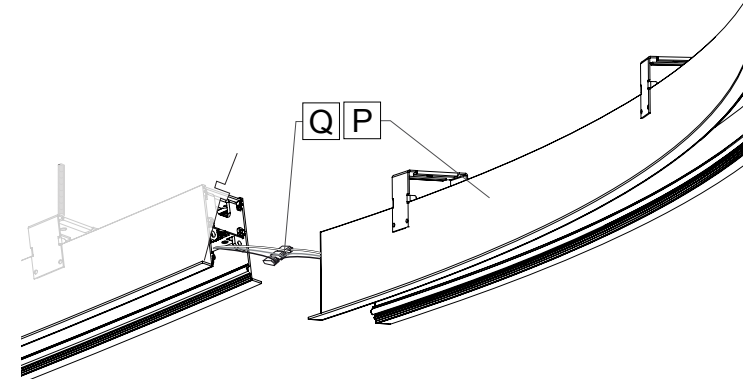
2 REMOVE THE JOINING SCREW.

From all fixtures in the run, unscrew and remove screws [O]. Keep them in a safe place.



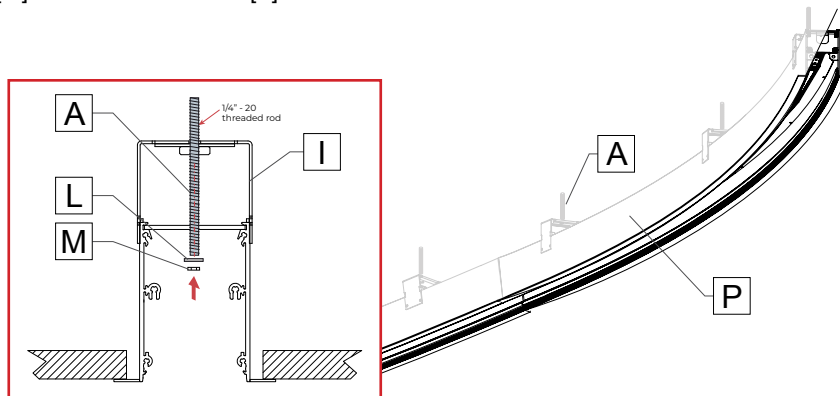
3 MAKE ELECTRICAL CONNECTIONS.

Raise the second fixture [P]. Make the wire connection between the two sections using wire connectors [Q]. Number of wires may vary.



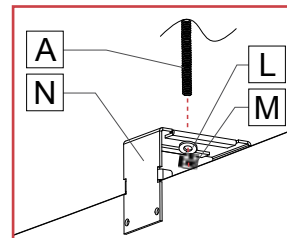
4 SECURE THE SECOND FIXTURE TO THE CEILING.

Align the threaded rods [A] with holes on top of the second fixture mounting brackets [I]. Use washers [L] and tighten nuts [M] to secure the fixture [P].



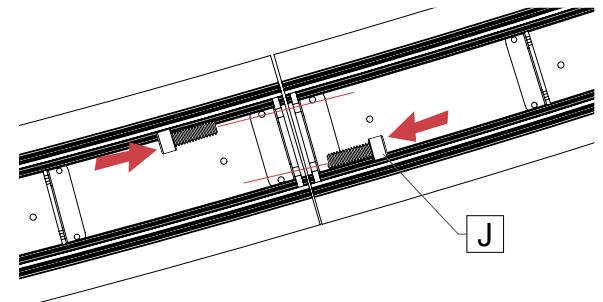
ALTERNATIVE INSTALLATION OPTION

If the fixture is installed before the drywall, fasten threaded stud [A] on the U-plate [N] using washers [L] and nuts [M].



5 JOIN THE FIXTURES.

Join fixtures. Put the provided screws [J] back in place using the provided 3/16" ball-end screwdriver. Make sure that no wires are placed in between the extrusions, preventing the fixtures to be joined. Tighten the screws [J] to pull the segments together.



6 REPEAT STEPS 7 - 8 FROM THE SINGLE FIXTURE SECTION FOR THE ALL THE FIXTURES IN THE RUN.

CURVIA

Recessed - Drywall Trim

WIRING DIAGRAMS (1 Circuit)

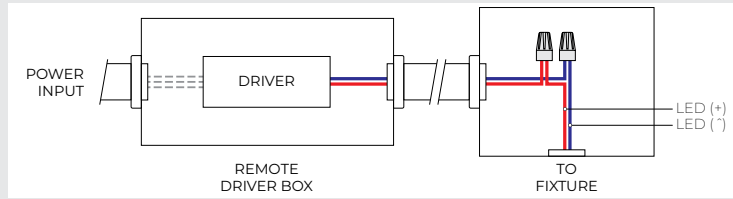
For electrical connections, follow the wiring diagrams according to specified drivers in product configuration.

REMOTE DRIVER - STATIC WHITE

RED	LED (+)
BLUE	LED (-)

Note:
For remote driver wiring in the remote driver box (RDB), refer to the applicable integral driver wiring.

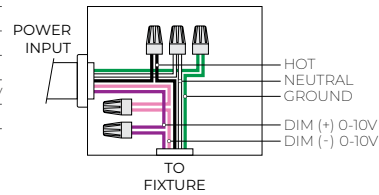
For max wire distance from driver, please check our website: WWW.LUMENWERX.COM



INTEGRAL DRIVER - STATIC WHITE

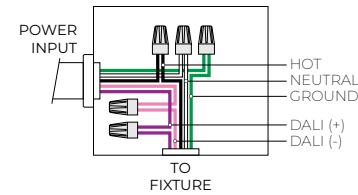
D1 / ELD1 / ELDO

BLACK	HOT
WHITE	NEUTRAL
GREEN	GROUND
PURPLE	DIM (+) 0-10V
PINK or GRAY	DIM (-) 0-10V



DA

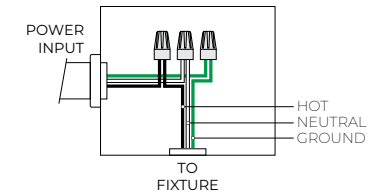
BLACK	HOT
WHITE	NEUTRAL
GREEN	GROUND
PURPLE	DALI (+)
PINK or GRAY	DALI (-)



LTEA2W

BLACK	HOT
WHITE	NEUTRAL
GREEN	GROUND

Note:
120V max input voltage



LDE1

BLACK	HOT
WHITE	NEUTRAL
GREEN	GROUND
PURPLE	E1 TO ECOSYSTEM
PINK or GRAY	E2 DIGITAL LINK

