

! This product must be installed in accordance with the National Electrical Code and all applicable local codes, by a person familiar with the construction and operation of the product, and the hazards involved. Proper grounding is required for safety.

Ce produit doit être installé suivant le code national de l'électricité, ainsi que tous les codes locaux applicables, par une personne familière avec la construction et le fonctionnement du produit, ainsi que tous les risques qui y sont associés. La mise à terre électrique est obligatoire pour la sécurité.

! Wire dimming conductors as Class 1.
! Shown with Curvia 2 and applies to 3 and 4 too.
! For electrical connections, follow the wiring diagrams on page 4 according to specified drivers in product configuration.

SINGLE FIXTURE

! For remote driver box, please refer to the [remote driver installation sheet](#) for more information.

! Do not cover the light element lens or heatsink with any materials or adhesive tapes when the fixture is powered.

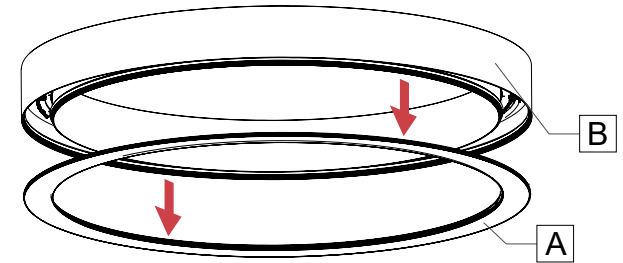
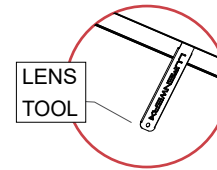
! Cartridge reflector must be reinstalled with the screw and plastic washer that was originally supplied. If not, it can result in an electrical failure.

Make sure to reconnect the wires to the LED boards correctly.

! Handle the LED cartridge carefully during removal and installation. Tools must not touch the LED chips. Contact may result in damage and LED failure.

1 REMOVE LENS.

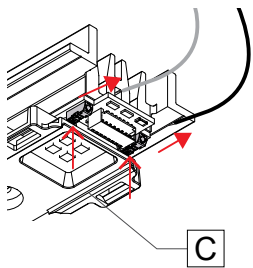
Remove the lens [A] from the fixture [B] using the provided lens tool and keep them in a safe place.



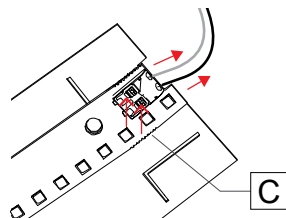
2 DISCONNECT LED AND REMOVE CARTRIDGES.

Disconnect LED molex connector [C] by taking a pointed object and pressing on the two tabs on the top.

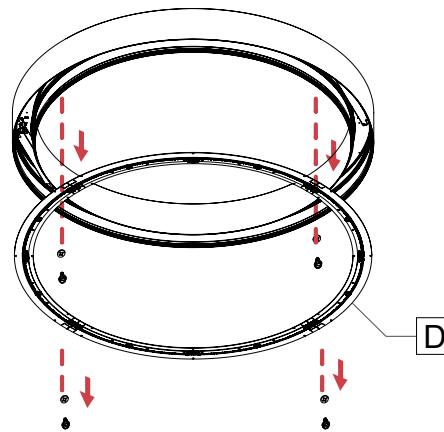
DIAMOND PRISM OPTIC



HLO

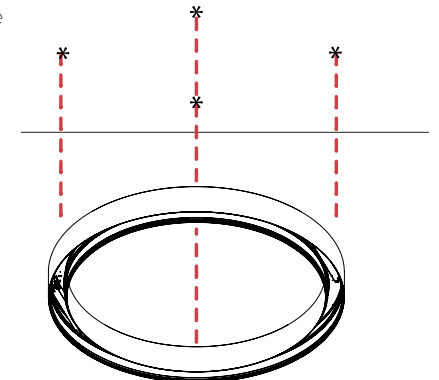


Unscrew and remove cartridge(s) [D].



3 PREPARE THE INSTALLATION AREA.

Prepare the area where the fixture is going to be installed. Locate the mounting points on the ceiling according to the dimensions [*] in the client drawings.



CURVIA

Surface

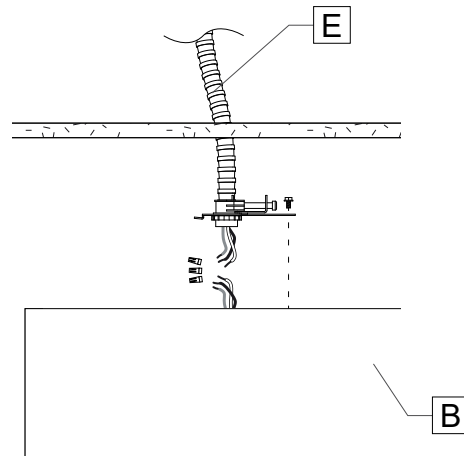
LUMENWERX

4 MAKE ELECTRICAL CONNECTIONS.

Make electrical connections between main power [E] and fixture [B].

Note: Number of wires may vary.

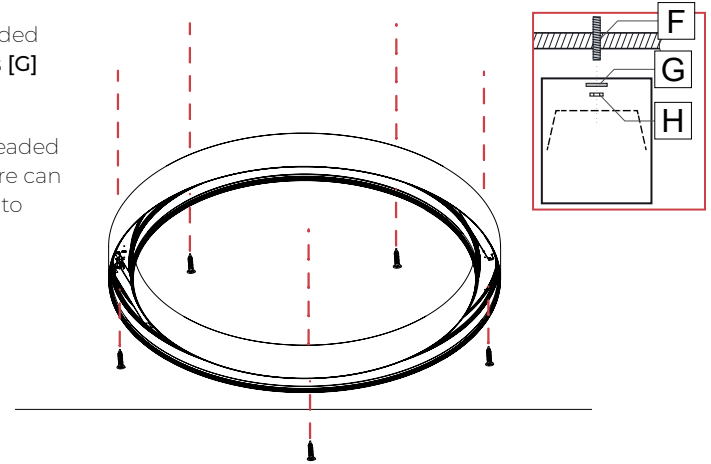
Warning: A luminaire with more than one power supply connection means shall be connected to only one branch circuit.



5 FASTEN FIXTURE.

Fasten fixture to threaded stud [F] using washers [G] and nuts [H].

Note: If there is no threaded stud present, the fixture can be screwed directly onto the ceiling.



6 REINSTALL THE CARTRIDGES AND RECONNECT LED.

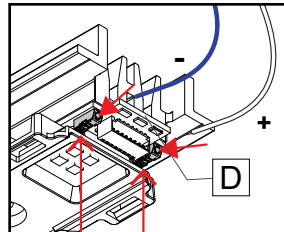
Reinstall the cartridges [C] and reconnect the LED molx connector [D].

Note: Connect blue wire into the [-] negative terminal and the white wire into the [+] positive terminal.

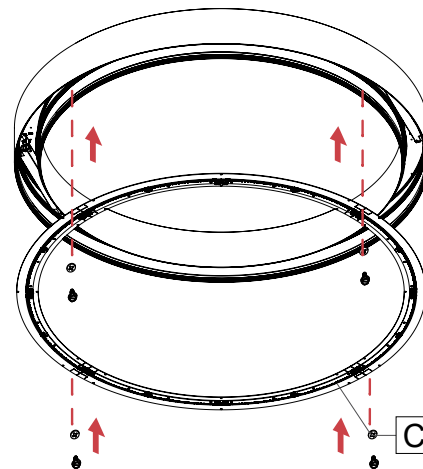
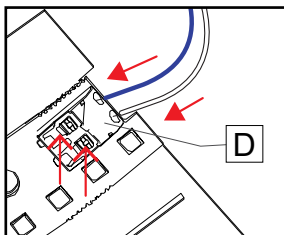
Make sure that the wires are not hiding any LED diode. Screw the cartridge back in place by using screw with plastic washer.

Warning: Do not apply too much pressure.

DIAMOND PRISM OPTIC

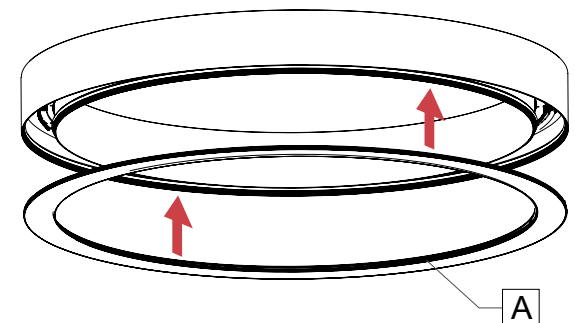


HLO



7 REINSTALL THE LENS.

Put the the lens [A] back in place.



CONTINUOUS RUN

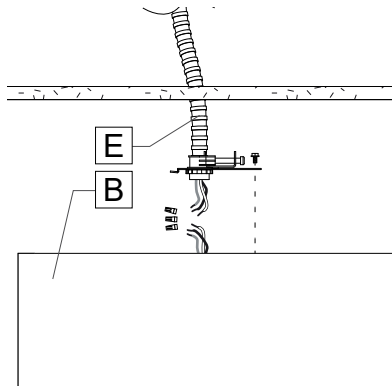
8 FOR A CONTINUOUS RUN, REPEAT STEPS 1 TO 3 FROM THE SINGLE FIXTURE SECTION FOR ALL FIXTURES IN THE RUN, THEN:

9 ELECTRICAL CONNECTIONS FOR THE FIRST SEGMENT.

Make electrical connections between main power [E] and the first segment in the run [B].

Note: Number of wires may vary.

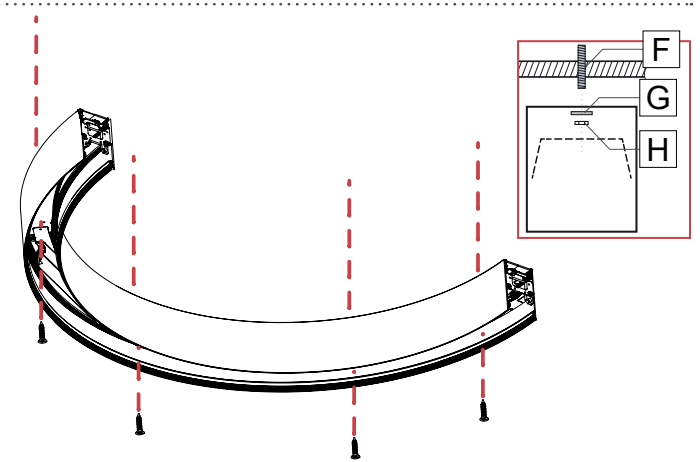
Warning: A luminaire with more than one power supply connection means shall be connected to only one branch circuit.



10 FASTEN FIXTURE

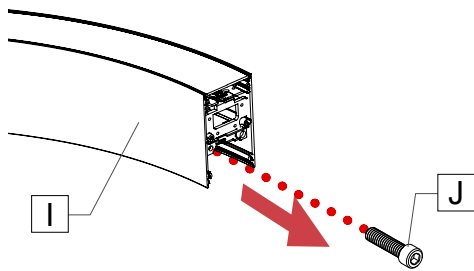
Fasten the first segment of the run to threaded studs [F] using washers [G] and nuts [H].

Note: If there is no threaded studs present, the fixture can be screwed directly onto the ceiling.



11 REMOVE THE JOINING SCREW.

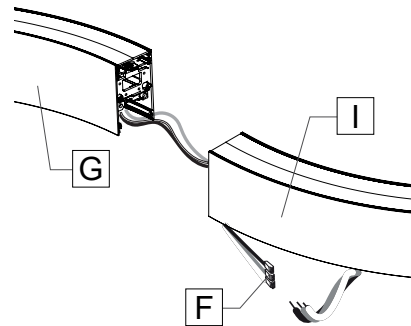
From all fixtures in the run [I], unscrew and remove screws [J]. Keep them in a safe place.



12 INSERT WIRES

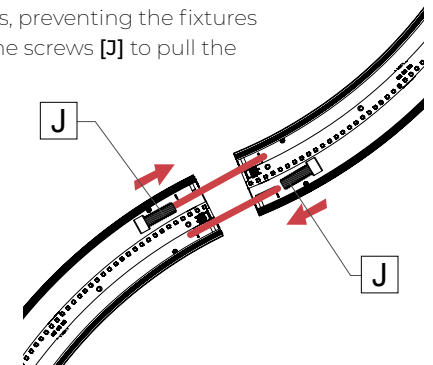
Push wires of the first segment [G] inside the next segment of the pattern [I].

Make the wire connections between the first segment [G] and the second segment [I] using the quick connectors [F]. Number of wires may vary.



13 JOIN THE FIXTURES.

Join fixtures. Put the provided screws [J] back in place using the provided 3/16" ball-end screwdriver. Make sure that no wires are placed in between the extrusions, preventing the fixtures to be joined. Tighten the screws [J] to pull the segments together.



14 REPEAT STEPS 10 TO 13 FOR ALL FIXTURES IN THE RUN.

15 REPEAT STEPS 6 TO 7 FROM THE SINGLE FIXTURE SECTION FOR ALL FIXTURES IN THE RUN.

WIRING DIAGRAMS (1 Circuit)

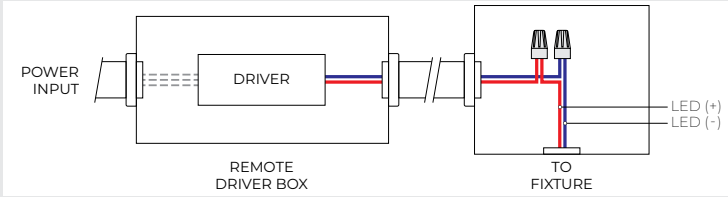
For electrical connections, follow the wiring diagrams according to specified drivers in product configuration.

REMOTE DRIVER - STATIC WHITE

RED	LED (+)
BLUE	LED (-)

Note:
For remote driver wiring in the remote driver box (RDB), refer to the applicable integral driver wiring.

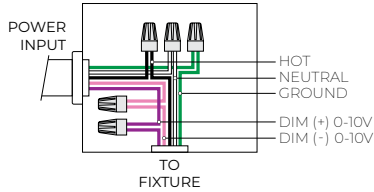
For max wire distance from driver, please check our website: WWW.LUMENWERX.COM



INTEGRAL DRIVER - STATIC WHITE

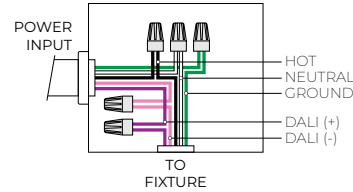
D1 / ELD1 / ELDO

BLACK	HOT
WHITE	NEUTRAL
GREEN	GROUND
PURPLE	DIM (+) 0-10V
PINK or GRAY	DIM (-) 0-10V



DA

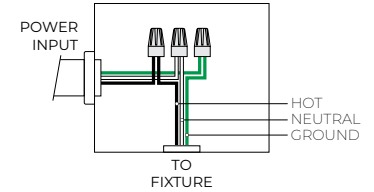
BLACK	HOT
WHITE	NEUTRAL
GREEN	GROUND
PURPLE	DALI (+)
PINK or GRAY	DALI (-)



LTEA2W

BLACK	HOT
WHITE	NEUTRAL
GREEN	GROUND

Note:
120V max input voltage



LDE1

BLACK	HOT
WHITE	NEUTRAL
GREEN	GROUND
PURPLE	E1 TO ECOSYSTEM
PINK or GRAY	E2 DIGITAL LINK

