

CURVIA 2 PRISM

PATTERN

PENDANT - RECESSED - SURFACE



Our extensive Curvia family illuminates with elegant curvilinear shapes and patterns, enhancing spaces with a soft touch and a graceful sense of movement. Curvia Prism luminaires integrate our Diamond Prism Optic (DPO), which minimizes glare and delivers high-quality, visually comfortable light.

SENSORS
For latest information on sensors, click [here](#).



Curvia Additions Brochure

Curvia Family (Refer to other spec sheets)

Curvia Mini	Curvia Slim	Curvia Slim Seal	Curvia Prism	Curvia	Curvia XYZ	Curvia Horizon	Curvia Perimeter	Curvia Seal Perimeter	Curvia Seal	Curvia Acoustix
1"	1", 2"	1", 2"	2"	2", 3", 4"	2", 3"	2", 3"	2", 3", 4", 5"	2", 3", 4"	2", 3", 4"	2"
Ring	Ring Shapes Pattern	Ring Shapes Pattern	Ring Shapes Pattern	Ring Shapes Pattern	Pattern	Ring Shapes	Pattern	Pattern	Ring Shapes Pattern	Ring Shapes Pattern

3737 Cote Vertu St-Laurent, Quebec, Canada H4R 2C9
T (514) 225-4304 F (514) 931-4862
www.lumenwerx.com



Lumenwerx reserves the right to modify product specifications without notification.
© Lumenwerx, ULC. All rights reserved.
CURVIA2-PRISM-PATTERN-SPEC-REV4 September 17, 2025

CURVIA 2 PRISM

PATTERN

PENDANT - RECESSED - SURFACE



Project: _____

Type: _____

Order Guide

A drawing of your pattern is required - anything from a line drawing to an architectural drawing.

LUMINAIRE ID	DISTRIBUTION	DIRECT OPTIC ²	INDIRECT OPTIC ³ Specify NA for Direct fixture	LIGHT SOURCE ⁴	CRI
CURV2PRPPAT - Curvia 2" Prism Pendant Pattern CURV2PRRPAT - Curvia 2" Prism Recessed Pattern CURV2PRSPAT - Curvia 2" Prism Surface Pattern	DI ¹ - Direct/ Indirect D - Direct ¹ Available for pendant mounting only.	SDPO - Matte Silver Diamond Prism Optic PDPO - Precision Specular Diamond Prism Optic BDPO - Matte Black Diamond Prism Optic WDPO - Matte White Diamond Prism Optic ² See page 6 for details.	HLO - High-Efficiency Lambertian Optic NA - Not applicable ³ The indirect distribution is always fully lit.	SW - Static white ⁴ Chromawerx SOLA and DUO also available. Consult factory.	80CRI - 80+ CRI 90CRI - 90+ CRI

DIRECT LUMEN PACKAGE	INDIRECT LUMEN PACKAGE Specify NA for Direct fixture	COLOR TEMP.	TOTAL PATTERN LENGTH	TOTAL LOUVERED LENGTH
350LMF - Eco low output 350 lm/ft 500LMF - Low output 500 lm/ft 750LMF - Medium output 750 lm/ft 1000LMF ⁵ - High output 1000 lm/ft 1200LMF ⁵ - Ultra high output 1200 lm/ft ⁵ Not available with Matte Black Diamond Prism Optic.	350LMF - Eco low output 350 lm/ft 500LMF - Low output 500 lm/ft 750LMF - Medium output 750 lm/ft NA - Not applicable	27K - 2700K 30K - 3000K 35K - 3500K 40K - 4000K 50K - 5000K	T#FT#IN - Specify total pattern length (#) in 1' and/or 1" increments	L#FT#IN ⁶ - Specify total length of louvers (#), including all straight and curved segments ⁶ Straight segments of louvers are only available in 1' sections. Curved segments of louvers are available in 18" radius (45° arc) or 36" radius (22.5° arc) sections. The rest of the pattern will be filled with blanks.

CURVED SEGMENTS ⁷	STRAIGHT CORNERS ^{9,10}	VOLTAGE	DRIVER ¹⁴
LOUVER Qty ⁸ R18A45 - 18" radius, 45° arc R36A22 - 36" radius, 22.5° arc NA - None ⁷ Can be ordered as individual segments or as a pattern with multiple segments. For patterns, multiple 45° or 22.5° arc segments can be placed next to each other to create wider arcs. If more than one option is specified, separate codes with a "+", e.g. 2R18A45+6R36A22. ⁸ Specify the total quantity for each type of louvered curved segment.	#LEV2C(A##) ¹¹ - 2-way leveled corner NA - None ⁹ Specify quantity (#) and angle (A##) for each required corner type. ¹⁰ If more than one option is specified, separate codes with a "+", e.g. 2LEV2C(A90)+1LEV2C(A60). ¹¹ Corners are unlit with 6" x 6" blanks. ¹² Minimum angle is 30°.	120V - 120V 277V - 277V UNV - 120V-277V 347V ¹³ - 347V ¹³ Available with DI driver only. Subject to factory evaluation.	DI - 1% 0-10V ELV ¹⁵ - ELV 120V TRI ¹⁵ - TRIAC 120V DA ¹⁶ - DALI LDE1 ¹⁶ - Lutron Hi-Lume 1% Eco ELD1 - eldoLED 1% ECOdrive 0-10V ELD0 - eldoLED 0.1% SOLOdrive 0-10V ¹⁴ Integral or remote subject to factory evaluation. Code will be updated with prefix "R" if factory determines driver to be remote. ¹⁵ Available with 120V only. ¹⁶ On-site commissioning is required.

ELECTRICAL	ELECTRICAL SECTIONS (optional) ^{22, 23}
1C - 1 circuit 2C ¹⁷ - 2 circuits #MC ¹⁸ - Multi circuit EC - Emergency-powered fixture NL - Night light fixture DL - Daylight fixture GTD ^{19, 20, 21} - Generator transfer device fixture ¹⁷ Available for Direct/Indirect only. Separate direct and indirect circuits. ¹⁸ Specify total number of circuits (#), including any required for electrical section options. Provide drawing or layout specifications. Minimum 4' section per circuit for integral drivers. ¹⁹ Integral or remote subject to factory evaluation. GTD must be housed with the driver. ²⁰ Not available with 347V. ²¹ Minimum 18" radius for integral GTD.	#EC## ²⁴ - Emergency-powered section #NL## ²⁴ - Night light section #DL## ²⁴ - Daylight section ²² Specify with multi circuit (#MC) electrical option only. ²³ Provide drawing or layout specifications. Consult factory for other configurations. Default section length is 4'. ²⁴ Specify quantity (#), and section length in inches (##). ²⁵ Integral or remote subject to factory evaluation. GTD/EMB must be housed with the driver. ²⁶ Not available with 347V. ²⁷ Minimum 18" radius for integral GTD. ²⁸ Specify quantity (#). Each battery powers a 4' linear section. Minimum length of linear section is 5' for Direct and 8' for Direct/Indirect. ²⁹ All batteries will be on the same circuit and power the direct LEDs.

ELECTRICAL	ELECTRICAL SECTIONS (optional) ^{22, 23}
1C - 1 circuit 2C ¹⁷ - 2 circuits #MC ¹⁸ - Multi circuit EC - Emergency-powered fixture NL - Night light fixture DL - Daylight fixture GTD ^{19, 20, 21} - Generator transfer device fixture ¹⁷ Available for Direct/Indirect only. Separate direct and indirect circuits. ¹⁸ Specify total number of circuits (#), including any required for electrical section options. Provide drawing or layout specifications. Minimum 4' section per circuit for integral drivers. ¹⁹ Integral or remote subject to factory evaluation. GTD must be housed with the driver. ²⁰ Not available with 347V. ²¹ Minimum 18" radius for integral GTD.	#EC## ²⁴ - Emergency-powered section #NL## ²⁴ - Night light section #DL## ²⁴ - Daylight section ²² Specify with multi circuit (#MC) electrical option only. ²³ Provide drawing or layout specifications. Consult factory for other configurations. Default section length is 4'. ²⁴ Specify quantity (#), and section length in inches (##). ²⁵ Integral or remote subject to factory evaluation. GTD/EMB must be housed with the driver. ²⁶ Not available with 347V. ²⁷ Minimum 18" radius for integral GTD. ²⁸ Specify quantity (#). Each battery powers a 4' linear section. Minimum length of linear section is 5' for Direct and 8' for Direct/Indirect. ²⁹ All batteries will be on the same circuit and power the direct LEDs.

MOUNTING ³⁰	FINISH ³²	OPTIONS ³³
PENDANT ³¹ ACS - Aircraft cable, standard STS - Stem, standard ACC() - Aircraft cable, custom STC() - Stem, custom ³⁰ The mounting options selected must reflect the luminaire ID. ³¹ Standard canopies are black for black fixtures, and white for all other finishes. See page 3 for full details on standard and custom options.	W - Matte white AL - Aluminum B - Matte black CF# - Custom finish, specify RAL# ³² The finish of blanks will match fixture finish.	FUI20 - Fuse 120V FU277 - Fuse 277V CTB9 ³⁴ - T-bar caddy clip, 9/16" CTB15 ³⁴ - T-bar caddy clip, 15/16" CTC9 ³⁴ - Tegular caddy clip, 9/16" ³³ Separate codes with a "+" if more than one is specified. ³⁴ Available with pendant mounting aircraft cable option only. ³⁵ Available with recessed mounting only.

MOUNTING ³⁰	FINISH ³²	OPTIONS ³³
PENDANT ³¹ ACS - Aircraft cable, standard STS - Stem, standard ACC() - Aircraft cable, custom STC() - Stem, custom ³⁰ The mounting options selected must reflect the luminaire ID. ³¹ Standard canopies are black for black fixtures, and white for all other finishes. See page 3 for full details on standard and custom options.	W - Matte white AL - Aluminum B - Matte black CF# - Custom finish, specify RAL# ³² The finish of blanks will match fixture finish.	FUI20 - Fuse 120V FU277 - Fuse 277V CTB9 ³⁴ - T-bar caddy clip, 9/16" CTB15 ³⁴ - T-bar caddy clip, 15/16" CTC9 ³⁴ - Tegular caddy clip, 9/16" ³³ Separate codes with a "+" if more than one is specified. ³⁴ Available with pendant mounting aircraft cable option only. ³⁵ Available with recessed mounting only.



CURVIA 2 PRISM

PATTERN

PENDANT - RECESSED - SURFACE



Pendant Mounting Code

Aircraft Cable

Standard

ACS - Aircraft cable, standard

- Ø 5" for power canopy
- Ø 3" for non-power canopy
- Canopies are black for black fixtures, and white for all other fixture finishes
- Power cord is black for black fixtures, and white for all other fixture finishes
- Aircraft cable length is 36"

Custom

Example: ACC(3NPC-72IN-W-PCB-NA)

ACC() - Aircraft cable, custom

NON-POWER CANOPY SIZE	AIRCRAFT CABLE LENGTH	CANOPY FINISH	POWER CORD COLOR	OPTION
3NPC - Ø 3" non-power canopy 5NPC - Ø 5" non-power canopy	36IN - 36" 72IN - 72" 120IN - 120" #IN ¹ - Other lengths, specify in inches <small>¹Maximum length is 288". For longer lengths, please consult factory.</small>	W - Matte white AL - Aluminum B - Matte black CF# - Custom finish, specify RAL#	PCW - White PCB - Black	SEM ² - Seismic mounting SLC ² - Sloped ceiling for aircraft cable NA - None <small>²Not available with the Ø 3" non-power canopy size.</small>

Stem

Standard

STS - Stem, standard

- Ø 5" for power canopy
- Ø 5" for non-power canopy
- Canopies are black for black fixtures, and white for all other fixture finishes
- Stem finish is the same color as fixture
- Stem length is 18"
- Stem is not field adjustable

Custom

Example: STC(5NPC-36IN-W-STW-SLS)

STC() - Stem, custom

NON-POWER CANOPY SIZE	STEM LENGTH	CANOPY FINISH	STEM COLOR	OPTION
5NPC - Ø 5" non-power canopy	18IN - 18" 36IN - 36" #IN ¹ - Specify length in inches <small>¹Minimum length is 6". Maximum length is 72". Stem is not field adjustable.</small>	W - Matte white AL - Aluminum B - Matte black CF# - Custom finish, specify RAL#	STW - Matte white STAL - Aluminum STB - Matte black STCF# - Custom finish, specify RAL#	SLS - Sloped ceiling for stem NA - None

CURVIA 2 PRISM

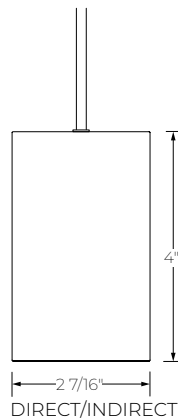
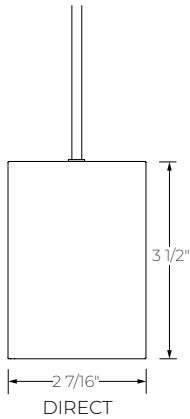
PATTERN

PENDANT - RECESSED - SURFACE

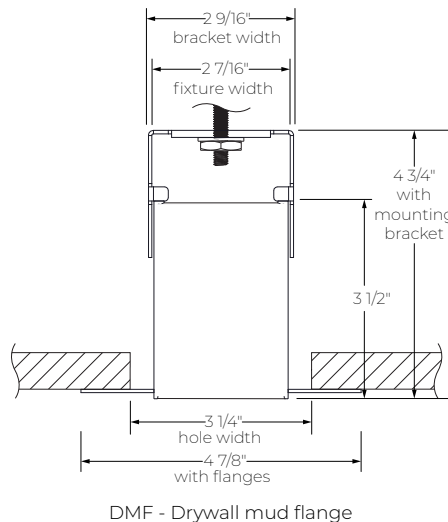
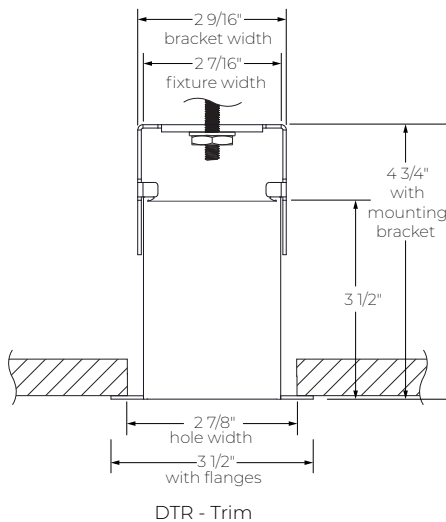


Dimensions

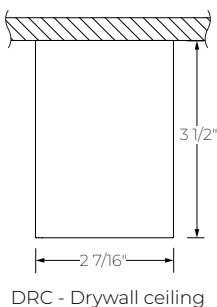
PENDANT



RECESSED



SURFACE



CURVIA 2 PRISM

PATTERN

PENDANT - RECESSED - SURFACE

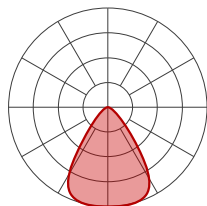


Photometrics

Values calculated based on 4' straight segments at 3500K for all optics.

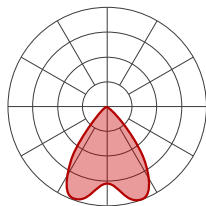
DIRECT OPTICS

MATTE SILVER
DIAMOND PRISM OPTIC



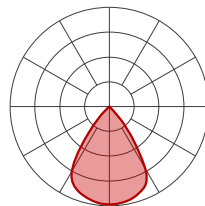
LM/FT	W/FT	LM/W
350	2.6	132
500	3.8	132
750	5.9	127
1000	8.2	122
1200	10	120

PRECISION SPECULAR
DIAMOND PRISM OPTIC



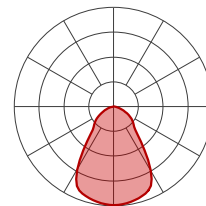
LM/FT	W/FT	LM/W
350	2.4	147
500	3.4	147
750	5.3	142
1000	7.3	137
1200	8.9	134

MATTE BLACK
DIAMOND PRISM OPTIC



LM/FT	W/FT	LM/W
350	5.1	69
500	7.5	66
750	11.9	63

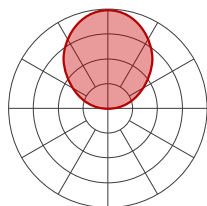
MATTE WHITE
DIAMOND PRISM OPTIC



LM/FT	W/FT	LM/W
350	2.4	145
500	3.5	144
750	5.4	139
1000	7.4	135
1200	9.1	132

INDIRECT OPTIC

HLO



LM/FT	W/FT	LM/W
350	2.4	149
500	3.5	145
750	5.4	139

MULTIPLIER TABLES

Use these tables to get results for different color temperatures for all photometric tables.

SDPO, PDPO, BDPO, WDPO

CCT	WATTS		LPW	
	80+ CRI / 90+ CRI	80+ CRI / 90+ CRI	80+ CRI / 90+ CRI	80+ CRI / 90+ CRI
2700K	1.04		0.96	
3000K	1.00		1.00	
3500K	1.00		1.00	
4000K	0.99		1.01	
5000K	0.94		1.06	

HLO

CCT	WATTS		LPW	
	80+ CRI / 90+ CRI	80+ CRI / 90+ CRI	80+ CRI / 90+ CRI	80+ CRI / 90+ CRI
2700K	1.05		0.95	
3000K	1.02		0.98	
3500K	1.00		1.00	
4000K	1.00		1.00	
5000K	0.96		1.04	

DIRECT/INDIRECT - LPW CALCULATION

For Direct/Indirect performance values, follow the formula.

$$\left(\frac{\text{DIRECT LM/FT} + \text{INDIRECT LM/FT}}{\text{DIRECT W/FT} + \text{INDIRECT W/FT}} \right) = \text{LPW}$$

CURVIA 2 PRISM PATTERN

PENDANT - RECESSED - SURFACE



Technical Specifications

OPTICS

Diamond Prism Optic (DPO)

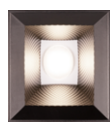
The Diamond Prism Optic™ (DPO™) is our patent-pending 3-tiered optic meticulously crafted to refract and reflect beams with great precision, effectively keeping glare to a minimum while delivering light of exceptional quality and visual comfort.



MATTE SILVER



PRECISION
SPECULAR



MATTE BLACK



MATTE WHITE

UGR - Diamond Prism Optic

LM/FT	MATTE SILVER	PRECISION SPECULAR	MATTE BLACK	MATTE WHITE
350	9.7	1.2	1.2	14.9
500	10.9	2.4	2.4	16.1
750	12.3	3.8	3.8	17.8
1000	13.3	4.8	N/A	18.8
1200	13.9	5.4	N/A	19.2

High-Efficiency Lambertian Optic (HLO)

Lumenwerx's High-Efficiency Lambertian Optic is engineered with reflective sidewalls that distribute LED output across acrylic shielding. To negotiate the curves of Lumenwerx rounded fixtures, the HLO is equipped with proprietary SupremeGrip™ technology, which keeps the optic securely in place.

LIGHT SOURCE

Custom array of mid-flux LEDs are cartridge-mounted with quick-connect wiring to facilitate service and thermal management. Available in 2700K, 3000K, 3500K, 4000K, and 5000K with a minimum 80+ CRI and an option for 90+ CRI with elevated R9 value. Color consistency maintained to within 3 SDCM. LEDs operate at reduced drive current to optimize efficacy and lumen maintenance. All LEDs have been tested in accordance with IESNA LM-80-08 and the results have shown L80 lumen maintenance greater than 60,000 hours. Absolute product photometry is measured and presented in accordance with IESNA LM-79, unless otherwise indicated.

ELECTRICAL

Factory-set, adjustable output current LED driver with universal (120-277 VAC) input. Dimmable from 100% to 1% with 0-10V dimming control. Rated life (90% survivorship) of 50,000 hours at 50°C max. ambient (and 70°C max. case) temperature. At maximum driver load: Efficiency>84%, PF>0.9, THD<20%. Other specifiable options include Lutron Hi-Lume 1% Eco, eldoLED 1% ECOdrive 0-10V, eldoLED 0.1% SOLOdrive 0-10V, ELV, TRIAC, and DALI protocol drivers. All of our standard 0-10V drivers are NEMA 410 compliant. ELV and TRIAC dimming performance (including minimum dimming percentage) subject to dimmer selection.

PoE

Depending on the PoE manufacturer selected, Lumenwerx will install the node in factory as either integral to the luminaire or as a remote module. Factory programming of the PoE node may or may not enable the following functionalities: lumen package, DUO (tunable white), QUADRO (RGBW), emergency battery backup, and sensor integration. These must be addressed and evaluated on a case-by-case basis.

Battery

Factory installed long life, high temperature, maintenance-free Lithium-Ion battery pack with self-test functionality, test switch and charge indicator. Minimum of 90 minutes operation, up to 1000 lumens per 4' (25°C) emergency lighting output and recharge time of 24 hours.

MOUNTING

Pendant: Pendant fixtures can be mounted either with aircraft cable or with stem.

Recessed: Recessed fixtures can be mounted in drywall ceilings with trim or mud flange options.

Surface: Surface fixtures can be mounted directly to drywall and hard surface ceilings, hardware supplied by others. A minimum of 6" from the vertical wall is required.

FINISH

Interior: 95%, reflective matte powder coated white paint.

Exterior: Matte white, matte black or aluminum powder coating. Custom finishes are also available.

CONSTRUCTION

Housing: Extruded aluminum and aluminum sheet, up to 90% recycled content

Reflectors: Aluminum

HLO: Acrylic

Louvers: Polycarbonate

Hanger: Chromed griplock securely attached in end caps and/or joiners with stainless steel hardware

Aircraft cable suspension: Ø 1/16" stainless steel aircraft cable

Stem: Ø 1/2" threaded steel tube

CURVIA 2 PRISM

PATTERN

PENDANT - RECESSED - SURFACE



WEIGHT

Pendant Direct:	2 lb/ft - 0.91 kg/ft
Pendant Direct/Indirect:	2.5 lb/ft - 1.13 kg/ft
Recessed:	2.5 lb/ft - 1.13 kg/ft
Surface:	2 lb/ft - 0.91 kg/ft

CERTIFICATIONS

ETL: Rated for indoor dry/damp locations. Conforms to UL Standard 1598 and certified to CAN/CSA Standard C22.2 No. 250.0.

IC rated: Suitable for direct contact with insulation. For Recessed mounting only.

WARRANTY

Lumenwerx provides a five-year limited warranty on electrical and mechanical performance of the luminaires, including the LED boards, drivers, and auxiliary electronics. Lumenwerx will repair or replace defective luminaires or components at our discretion, provided they have been installed and operated in accordance with our specifications. Other limitations apply, please refer to the full warranty on our website.