

CURVIA 2

SHAPES

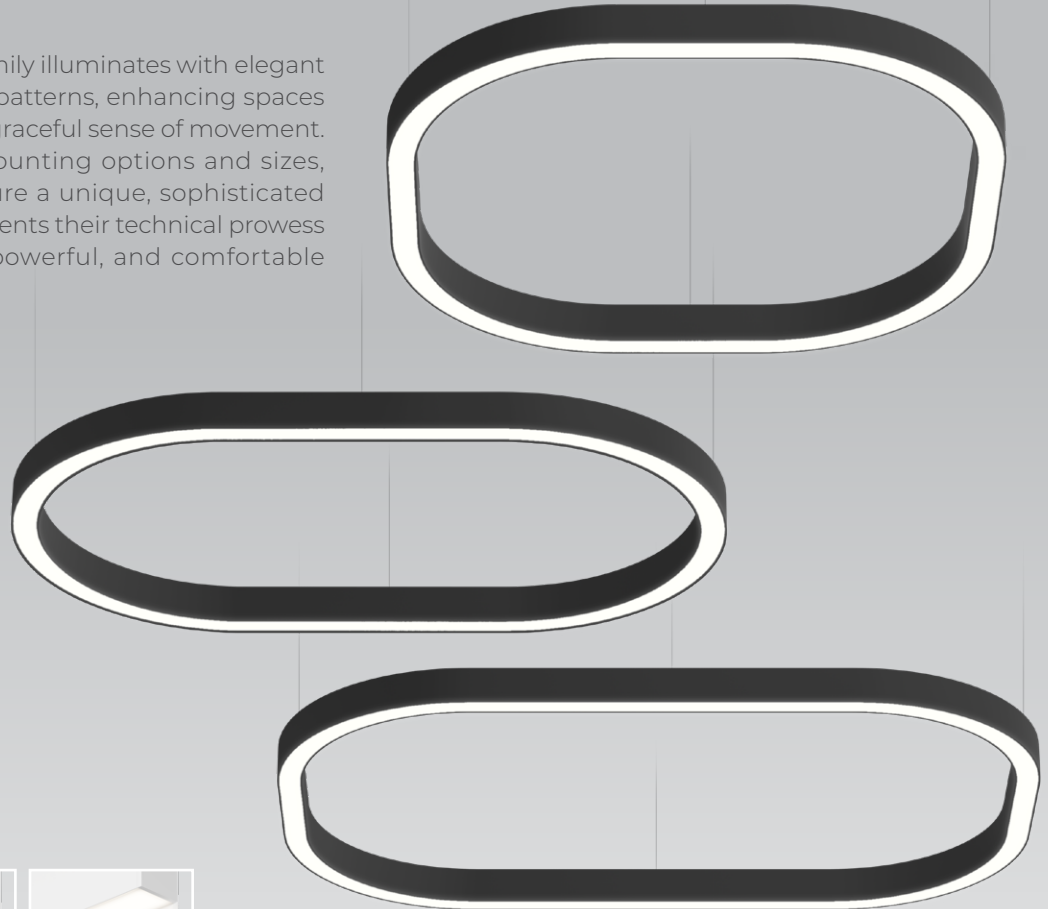
PENDANT - RECESSED - SURFACE



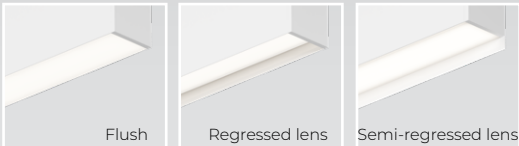
Declare.



Our extensive Curvia family illuminates with elegant curvilinear shapes and patterns, enhancing spaces with a soft touch and a graceful sense of movement. Available in various mounting options and sizes, Curvia luminaires feature a unique, sophisticated aesthetic that complements their technical prowess in delivering precise, powerful, and comfortable lighting solutions.



Lens Positions



Module Options



SENSORS
For latest information on sensors, click [here](#).



Curvia Additions Brochure

Curvia Family (Refer to other spec sheets)

Curvia Mini	Curvia Slim	Curvia Slim Seal	Curvia Prism	Curvia	Curvia XYZ	Curvia Horizon	Curvia Perimeter	Curvia Seal Perimeter	Curvia Seal	Curvia Acoustix
1"	1", 2"	1", 2"	2"	2", 3", 4"	2", 3"	2", 3"	2", 3", 4", 5"	2", 3", 4"	2", 3", 4"	2"
Ring	Ring Shapes Pattern	Ring Shapes Pattern	Ring Shapes Pattern	Ring Shapes Pattern	Pattern	Ring Shapes	Pattern	Pattern	Ring Shapes Pattern	Ring Shapes Pattern

3737 Cote Vertu St-Laurent, Quebec, Canada H4R 2C9
T (514) 225-4304 F (514) 931-4862
www.lumenwerx.com



Lumenwerx reserves the right to modify product specifications without notification.
© Lumenwerx, ULC. All rights reserved.
CURVIA2-SHAPES-SPEC-REV6 March 24, 2026

CURVIA 2

SHAPES

PENDANT - RECESSED - SURFACE



Project: _____

Type: _____

Order Guide

LUMINAIRE ID		DISTRIB.	SIZE ²	CORNER RADIUS ⁵ Specify NA for Capsule	DIRECT OPTIC	LENS POSITION	INDIRECT OPTIC Specify NA for Direct fixture	
SQUARE CURV2SQP - Curvia 2" Square Pendant CURV2SQR - Curvia 2" Square Recessed CURV2SQS - Curvia 2" Square Surface RECTANGLE CURV2REP - Curvia 2" Rectangle Pendant CURV2RER - Curvia 2" Rectangle Recessed CURV2RES - Curvia 2" Rectangle Surface CAPSULE CURV2CAP - Curvia 2" Capsule Pendant CURV2CAR - Curvia 2" Capsule Recessed CURV2CAS - Curvia 2" Capsule Surface		D1 ¹ - Direct/Indirect D - Direct ¹ Only available for pendant mounting.	#FT#INX#FT#IN ^{3,4} - Nominal length X nominal width ² The real dimension of the fixture can differ up to 4" from the nominal size. ³ Specify nominal length (#) and width (#) in 1" and/or 1/2" increments. ⁴ Minimum size: Square 4' x 4'; Rectangle 4' x 6'; and Capsule 3' x 2'.	R12 - 12" radius R18 - 18" radius R24 - 24" radius R30 - 30" radius R36 - 36" radius RXX ⁶ - Custom radius in inches NA ⁷ - Not applicable ⁵ Radii are referenced to fixture centerline. ⁶ Minimum radius is 8". Consult factory for smaller radii. ⁷ For Capsule, radius is defined by the size.	HLO - High-Efficiency Lambertian Optic AOO ⁸ - Asymmetric Opal Optic BLA ⁹ - Blank ⁸ Direction of light must be indicated on RCP/lighting plans. ⁹ Specify when only modules are required.	FH - Flush RG ¹⁰ - Regressed SRG ^{10,11} - Semi-regressed ¹⁰ Only available with HLO. ¹¹ Not available with recessed mounting.	HLO - High-Efficiency Lambertian Optic NA - Not applicable	
LIGHT SOURCE ¹²		CRI	DIRECT LUMEN PACKAGE ¹⁵		INDIRECT LUMEN PACKAGE ¹⁷ Specify NA for Direct fixture		COLOR TEMP.	VOLTAGE
SW - Static white FS - Full spectrum static white ¹² Chromawerx SOLA, DUO, and QUADRO also available. Consult factory.		80CRI ¹³ - 80+ CRI 90CRI ¹³ - 90+ CRI 95CRI ¹⁴ - 95+ CRI ¹³ Not available with full spectrum. ¹⁴ Not available with static white.	350LMF - Eco low output 350 lm/ft 500LMF - Low output 500 lm/ft 750LMF - Medium output 750 lm/ft 1000LMF ¹⁶ - High output 1000 lm/ft NA - Not applicable ¹⁵ To calculate the total lumens, multiply the lumen package (lm/ft) by the length of the shape (ft). ¹⁶ Not available with full spectrum.		350LMF - Eco low output 350 lm/ft 500LMF - Low output 500 lm/ft 750LMF - Medium output 750 lm/ft NA - Not applicable ¹⁷ To calculate the total lumens, multiply the lumen package (lm/ft) by the length of the shape (ft).		27K - 2700K 30K - 3000K 35K - 3500K 40K - 4000K 50K - 5000K	120V - 120V 277V - 277V UNV - 120V-277V 347V ¹⁸ - 347V ¹⁸ Only available with D1 driver. Subject to factory evaluation.
DRIVER ¹⁹		ELECTRICAL			ELECTRICAL SECTIONS (optional) ^{27,28}			
D1 - 1% 0-10V ELV ²⁰ - ELV 120V TRI ²⁰ - TRIAC 120V DA ²¹ - DALI LDE1 ²¹ - Lutron Hi-Lume 1% Eco ELD1 - eldoLED 1% ECOdrive 0-10V ELDO - eldoLED 0.1% SOLOdrive 0-10V ¹⁹ Integral or remote subject to factory evaluation. Code will be updated with prefix "R" if factory determines driver to be remote. ²⁰ Only available with 120V. ²¹ On-site commissioning is required.		1C - 1 circuit 2C ²² - 2 circuits #MC ²³ - Multi circuit EC - Emergency-powered fixture NL - Night light fixture DL - Daylight fixture GTD ^{24,25,26} - Generator transfer device fixture ²² Only available for Direct/Indirect. Separate direct and indirect circuits. ²³ Specify total number of circuits (#), including any required for electrical section options. Provide drawing or layout specifications. Minimum 4' section per circuit for integral drivers. ²⁴ Integral or remote subject to factory evaluation. GTD must be housed with the driver. ²⁵ Not available with 347V. ²⁶ Minimum 18" radius for integral GTD.			#EC## ²⁹ - Emergency-powered section #NL## ²⁹ - Night light section #DL## ²⁹ - Daylight section #GTD## ^{29,30,31,32} - Generator transfer device section #EMB ^{30,31,33,34} - Emergency battery NA - None ²⁷ Specify with multi circuit (#MC) electrical option only. ²⁸ Provide drawing or layout specifications. Consult factory for other configurations. Default section length is 4'. ²⁹ Specify quantity (#), and section length in inches (##). ³⁰ Integral or remote subject to factory evaluation. GTD/EMB must be housed with the driver. ³¹ Not available with 347V. ³² Minimum 18" radius for integral GTD. ³³ Specify quantity (#). Each battery powers a 4' linear section. Minimum length of linear section is 5' for Direct and 8' for Direct/Indirect. ³⁴ All batteries will be on the same circuit and power the direct LEDs.			
MOUNTING ³⁵		FINISH		OPTIONS ³⁷		MODULE (optional) ⁴⁰		
PENDANT ³⁶ ACS - Aircraft cable, standard STS - Stem, standard ACC() - Aircraft cable, custom STC() - Stem, custom ³⁵ The mounting options selected must reflect the luminaire ID. ³⁶ Standard canopies are black for black fixtures, and white for all other finishes. See page 3 for full details on standard and custom options.		RECESSED DTR - Trim DMF - Drywall mud flange	SURFACE DRC - Drywall ceiling	W - Matte white AL - Aluminum B - Matte black CF# - Custom finish, specify RAL#	FUI20 - Fuse 120V FU277 - Fuse 277V CTB9 ³⁸ - T-bar caddy clip, 9/16" CTB15 ³⁸ - T-bar caddy clip, 15/16" CTG9 ³⁸ - Tegular caddy clip, 9/16" CTG15 ³⁸ - Tegular caddy clip, 15/16" CST ³⁸ - Screw slot caddy clip FWC ³⁹ - Flexible whip cable (6' std) CP ³⁹ - Chicago Plenum NA - None ³⁷ Separate codes with a "*" if more than one is specified. ³⁸ Only available with pendant mounting aircraft cable option. ³⁹ Only available with recessed mounting.	#DOTIM() - Dot 1.5" #PETI() - Petite 1" Downlight #PETIGLR() - Petite 1" Downlight with glow ring NA - None ⁴⁰ See page 3 for ordering details. • Only available with static white. • Only available with flush lens. • Not available with ELV/TRI driver options. • Not available with EMB.		

CURVIA 2

SHAPES

PENDANT - RECESSED - SURFACE



Module Code

- For a module, specify the options in the parentheses.
- The light source is static white.
- CRI of module matches specification of main fixture.
- Minimum 4' fixture and minimum 2' section per module. Consult factory for other configurations.

Example: 1DOTIM(4IN-FTMB-SDB-FTMB-20DEG-900LM-27K)

MODULE ^{1,2}	HEIGHT	CYLINDER FINISH	BAFFLE	BAFFLE FINISH	BEAM ANGLE	LUMEN PACKAGE	COLOR TEMP.
#DOTIM() - Dot 1.5" <small>¹Specify quantity (#). ²4" blank per module. Blank finish will match fixture finish.</small>	4IN - 4"	FTMB - Matte black FTMW - Matte white CF# - Custom finish, specify RAL #	SDB - Standard baffle DCB ³ - Decorative baffle <small>³Recommended when a different finish is desired for the baffle.</small>	FTMB - Matte black FTMW - Matte white CF# - Custom finish, specify RAL #	20DEG - 20° Spot 35DEG - 35° Narrow flood 50DEG - 50° Wide flood	900LM - 900 lm, 12.2 W 1120LM - 1120 lm, 15.9 W	27K - 2700K 30K - 3000K 35K - 3500K 40K - 4000K

Example: 1PETI(6W-35DEG-27K-SDL-FTMB)

MODULE ^{1,2}	WATTAGE	BEAM ANGLE	COLOR TEMP.	LENS AT BAFFLE	BAFFLE FINISH <small>Specify NA for PETIGLR</small>
#PETI() ³ - Petite 1" Downlight #PETIGLR() - Petite 1" Downlight with glow ring <small>¹Specify quantity (#). ²4" blank per module. Blank finish will match fixture finish. ³Module is trimless.</small>	6W - 6 W output, up to 472 lm 10W - 10 W output, up to 726 lm	35DEG - 35° Narrow flood 45DEG - 45° Flood	27K - 2700K 30K - 3000K 35K - 3500K 40K - 4000K 50K - 5000K	SDL - Soft diffused lens, solite	FTMB - Matte black FTMW - Matte white FSPC - Satin silver FSSPC - Matte silver FCHP - Champagne FDBZ - Dark bronze CF# - Custom finish, specify RAL# NA - Not applicable

Pendant Mounting Code

Aircraft Cable

Standard

ACS - Aircraft cable, standard

- Ø 5" for power canopy
- Ø 3" for non-power canopy
- Canopies are black for black fixtures, and white for all other fixture finishes
- Power cord is black for black fixtures, and white for all other fixture finishes
- Aircraft cable length is 36"

Custom

Example: ACC(3NPC-72IN-W-PCB-NA)

ACC() - Aircraft cable, custom

NON-POWER CANOPY SIZE	AIRCRAFT CABLE LENGTH	CANOPY FINISH	POWER CORD COLOR	OPTION
3NPC - Ø 3" non-power canopy 5NPC - Ø 5" non-power canopy	36IN - 36" 72IN - 72" 120IN - 120" #IN ¹ - Other lengths, specify in inches <small>¹Maximum length is 288". For longer lengths, please consult factory.</small>	W - Matte white AL - Aluminum B - Matte black CF# - Custom finish, specify RAL#	PCW - White PCB - Black	SEM ² - Seismic mounting SLC ² - Sloped ceiling for aircraft cable NA - None <small>²Not available with the Ø 3" non-power canopy size.</small>

Stem

Standard

STS - Stem, standard

- Ø 5" for power canopy
- Ø 5" for non-power canopy
- Canopies are black for black fixtures, and white for all other fixture finishes
- Stem finish is the same color as fixture
- Stem length is 18"
- Stem is not field adjustable

Custom

Example: STC(5NPC-36IN-W-STW-SLS)

STC() - Stem, custom

NON-POWER CANOPY SIZE	STEM LENGTH	CANOPY FINISH	STEM COLOR	OPTION
5NPC - Ø 5" non-power canopy	18IN - 18" 36IN - 36" #IN ³ - Specify length in inches <small>³Minimum length is 6". Maximum length is 72". Stem is not field adjustable.</small>	W - Matte white AL - Aluminum B - Matte black CF# - Custom finish, specify RAL#	STW - Matte white STAL - Aluminum STB - Matte black STCF# - Custom finish, specify RAL#	SLS - Sloped ceiling for stem NA - None

CURVIA 2

SHAPES

PENDANT - RECESSED - SURFACE

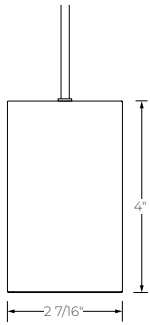


Dimensions

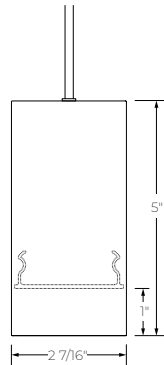
PENDANT

DIRECT/INDIRECT

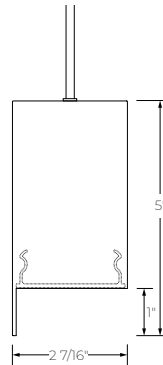
Flush Lens



Regressed Lens

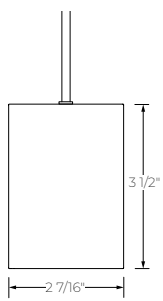


Semi-regressed Lens

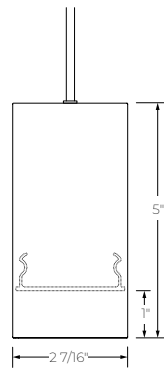


DIRECT

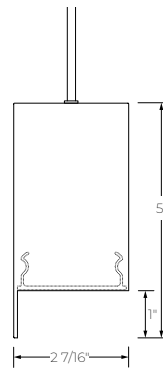
Flush Lens



Regressed Lens

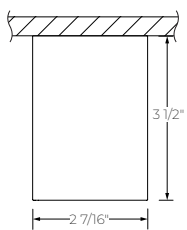


Semi-regressed Lens

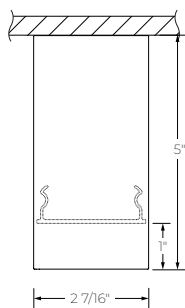


SURFACE

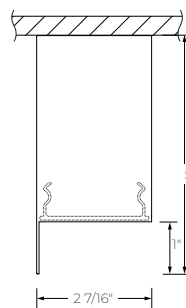
Flush Lens



Regressed Lens



Semi-regressed Lens



CURVIA 2

SHAPES

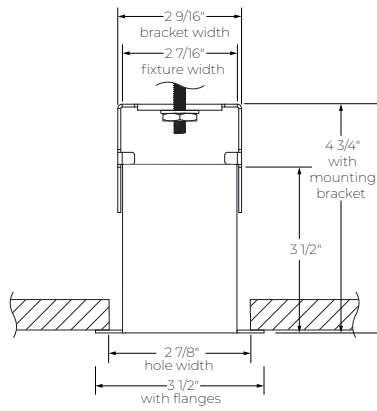
PENDANT - RECESSED - SURFACE



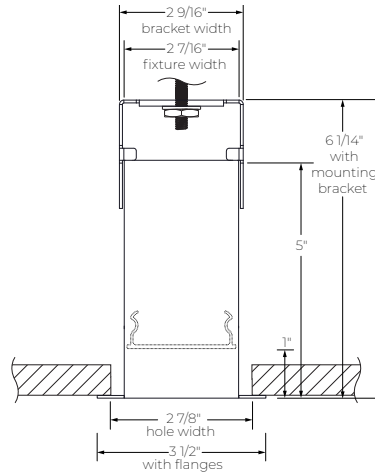
RECESSED

DTR - Trim

Flush Lens

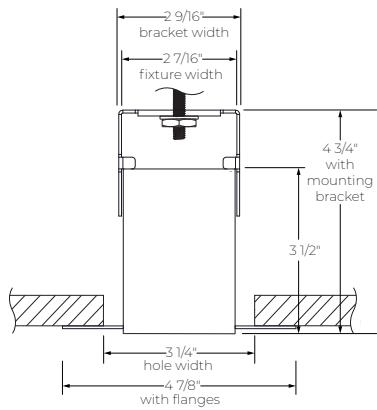


Regressed Lens

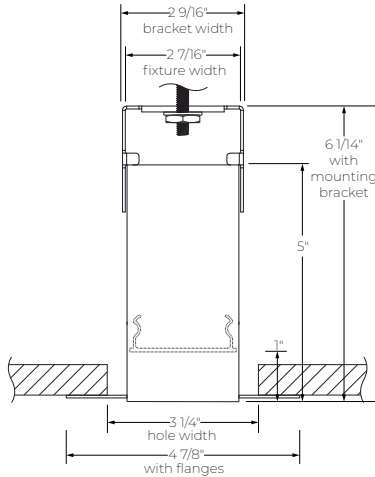


DMF - Drywall mud flange

Flush Lens



Regressed Lens



CURVIA 2

SHAPES

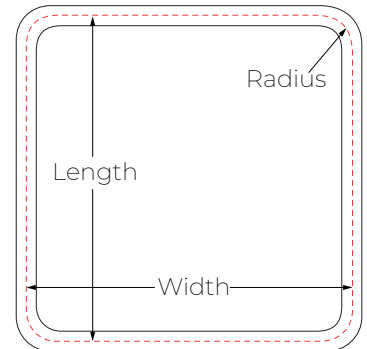
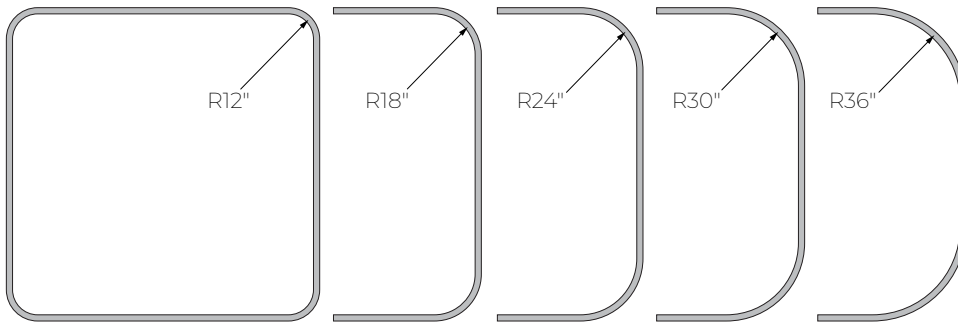
PENDANT - RECESSED - SURFACE



Shapes

SQUARE SHAPE

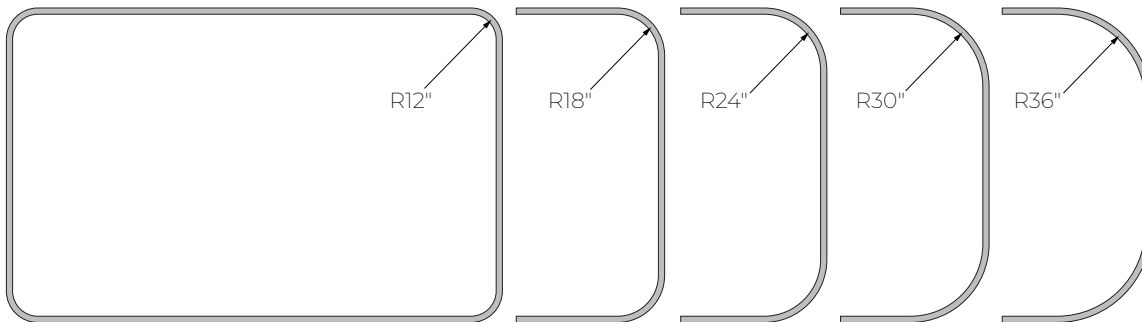
RADIUS: 12", 18", 24", 30", 36"



Note: The length, width and radius are measured from the center of the fixture.

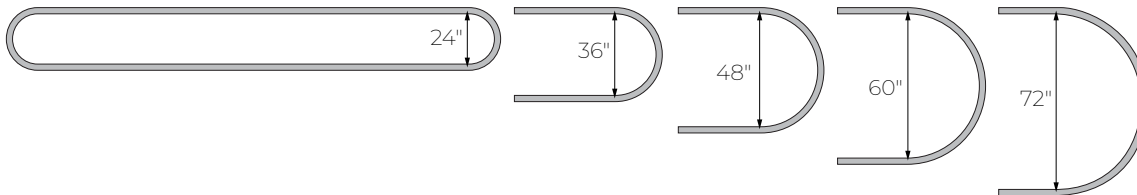
RECTANGLE SHAPE

RADIUS: 12", 18", 24", 30", 36"



CAPSULE SHAPE

WIDTH: 24", 36", 48", 60", 72"



Configuration diagrams are not to scale. For visualization purposes only.

CURVIA 2

SHAPES

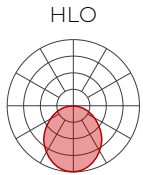
PENDANT - RECESSED - SURFACE



Photometrics

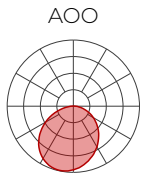
Values calculated based on 4' straight segments at 3500K for all optics.

DIRECT OPTICS



HLO

LM/FT	W/FT	LM/W
350	3.1	113
500	4.6	109
750	7.2	104
1000	10.1	99



AOO

LM/FT	W/FT	LM/W
350	3.6	96
500	5.4	93
750	8.5	88
1000	11.9	84

INDIRECT OPTIC



HLO

LM/FT	W/FT	LM/W
350	2.4	149
500	3.5	145
750	5.4	139

MULTIPLIER TABLES

Use these tables to get results for different color temperatures and lens positions for all photometric tables.

Multiplier - CCT

CCT	WATTS	LPW
	80+ CRI / 90+ CRI	80+ CRI / 90+ CRI
2700K	1.05	0.95
3000K	1.02	0.98
3500K	1.00	1.00
4000K	1.00	1.00
5000K	0.96	1.04

Multiplier - Lens position

DIRECT LENS	WATTS	LPW
Flush lens	1.00	1.00
Regressed lens	0.99	1.00
Semi-regressed lens	0.99	1.00

DIRECT/INDIRECT - LPW CALCULATION

For Direct/Indirect performance values, follow the formula.

$$\left(\frac{\text{DIRECT LM/FT} + \text{INDIRECT LM/FT}}{\text{DIRECT W/FT} + \text{INDIRECT W/FT}} \right) = \text{LPW}$$

CURVIA 2

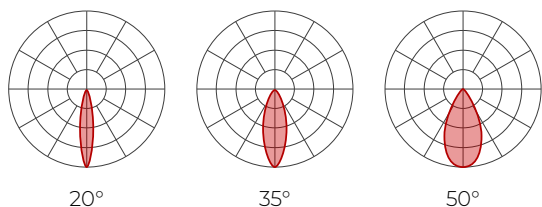
SHAPES

PENDANT - RECESSED - SURFACE



DOT 1.5" MODULE

Values calculated based on 3500K.



Delivered lumens (LM)

WATTAGE	LUMEN PACKAGE
12.2 W	900
15.9 W	1120

Efficacy (LM/W)

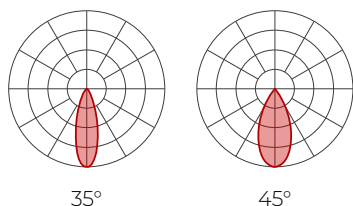
WATTAGE	EFFICACY
12.2 W	74
15.9 W	70

Please follow the multiplier table to ensure correct lumen value.

CCT	
2700K	0.94
3000K	0.96
3500K	1
4000K	1.02

PETITE MODULE

Values calculated based on 3500K.



Delivered lumens (LM)

Baffle finish	White		Black, Champagne, Dark bronze		Satin silver, Matte silver		Glow ring	
	35°	45°	35°	45°	35°	45°	35°	45°
6 W	420	472	386	407	417	449	379	382
10 W	645	726	593	626	642	691	583	588

Efficacy (LM/W)

Baffle finish	White		Black, Champagne, Dark bronze		Satin silver, Matte silver		Glow ring	
	35°	45°	35°	45°	35°	45°	35°	45°
6 W	70	79	64	68	69	75	63	64
10 W	65	73	59	63	64	69	58	59

Please follow the multiplier table to ensure correct lumen value.

CCT	
2700K	0.94
3000K	0.98
3500K	1
4000K	1.05
5000K	1.05

CURVIA 2

SHAPES

PENDANT - RECESSED - SURFACE



Technical Specifications

OPTICS

High-Efficiency Lambertian Optic (HLO)

Lumenwerx's High-Efficiency Lambertian Optic is engineered with reflective sidewalls that distribute LED output across acrylic shielding. To negotiate the curves of Lumenwerx rounded fixtures, the HLO is equipped with proprietary SupremeGrip™ technology, which keeps the optic securely in place.

Asymmetric Opal Optic (AOO)

The Asymmetric Opal Optic (AOO) provides targeted illumination while diffusing light evenly, minimizing glare and spill. Its design creates a soft, inviting ambiance, making it ideal for architectural and accent lighting in modern spaces.

LIGHT SOURCE

Static white

Custom array of mid-flux LEDs are cartridge-mounted with quick-connect wiring to facilitate service and thermal management. Available in 2700K, 3000K, 3500K, 4000K, and 5000K with a minimum 80+ CRI and an option for 90+ CRI with elevated R9 value. Color consistency maintained to within 3 SDCM. LEDs operate at reduced drive current to optimize efficacy and lumen maintenance. All LEDs have been tested in accordance with IESNA LM-80-08 and the results have shown L80 lumen maintenance greater than 60,000 hours. Absolute product photometry is measured and presented in accordance with IESNA LM-79, unless otherwise indicated.

Full spectrum static white

The full spectrum LED option offers improved color particularly in the cyan region that is beneficial in both healthcare and circadian lighting strategies. The cyan region in full spectrum LED is richer at the 480 nm range.

ELECTRICAL

Factory-set, adjustable output current LED driver with universal (120-277 VAC) input. Dimmable from 100% to 1% with 0-10V dimming control. Rated life (90% survivorship) of 50,000 hours at 50°C max. ambient (and 70°C max. case) temperature. At maximum driver load: Efficiency > 84%, PF > 0.9, THD < 20%. Other specifiable options include Lutron Hi-Lume 1% Eco, eldoLED 1% ECOdrive 0-10V, eldoLED 0.1% SOLOdrive 0-10V, ELV, TRIAC, and DALI protocol drivers. All of our standard 0-10V drivers are NEMA 410 compliant. ELV and TRIAC dimming performance (including minimum dimming percentage) subject to dimmer selection.

PoE

Depending on the PoE manufacturer selected, Lumenwerx will install the node in factory as either integral to the luminaire or as a remote module. Factory programming of the PoE node may or may not enable the following functionalities: lumen package, DUO (tunable white), QUADRO (RGBW), emergency battery backup, and sensor integration. These must be addressed and evaluated on a case-by-case basis.

Battery

Factory installed long life, high temperature, maintenance-free Lithium-Ion battery pack with self-test functionality, test switch and charge indicator. Minimum of 90 minutes operation, up to 1000 lumens per 4' (25°C) emergency lighting output and recharge time of 24 hours.

MOUNTING

Pendant: Pendant fixtures can be mounted either with aircraft cable or with stem.

Recessed: Recessed fixtures can be mounted in drywall ceilings with trim or mud flange options.

Surface: Surface fixtures can be mounted directly to drywall and hard surface ceilings, hardware supplied by others. A minimum of 6" from the vertical wall is required.

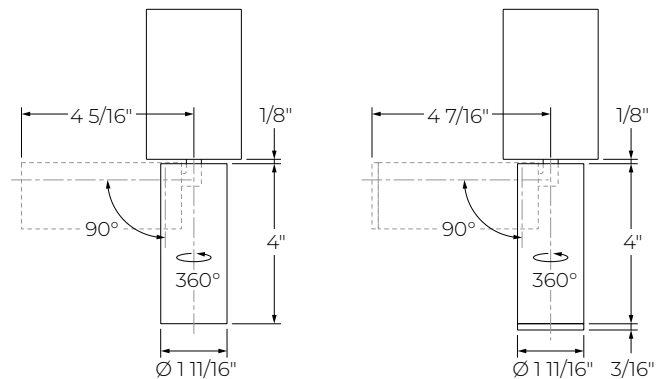
FINISH

Interior: 95% reflective matte powder coated white paint.

Exterior: Matte white, matte black or aluminum powder coating. Custom finishes are also available.

DOT MODULE

Dot is a round spotlight that rotates 360° and tilts 90°, available in three beam angles of 20°, 35°, and 50°. LED light source CCT options are 2700K, 3000K, 3500K, and 4000K available in either 80+ CRI or 90+ CRI. Offered in 4" height with two baffle options: standard and decorative. Dot is available in a white, black, or custom finish.



Dot 1.5" - Standard baffle

Dot 1.5" - Decorative baffle

CURVIA 2

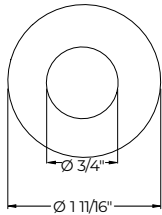
SHAPES

PENDANT - RECESSED - SURFACE

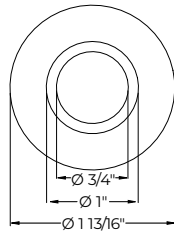


PETITE MODULE

Petite 1" Downlight is offered in two options: trimless and glow ring. It is available in two beam angles of 35° and 45°. LED light source CCT options are 2700K, 3000K, 3500K, 4000K, and 5000K available in either 80+ CRI or 90+ CRI. The trimless model is available in a wide range of colors.



Petite
(PETI)



Petite with glow ring
(PETIGLR)

CONSTRUCTION

Housing: Extruded aluminum and aluminum sheet, up to 90% recycled content

Reflectors: Aluminum

Lens: Acrylic

Hanger: Chromed griplock securely attached in end caps and/or joiners with stainless steel hardware

Aircraft cable suspension: \varnothing 1/16" stainless steel aircraft cable

Stem: \varnothing 1/2" threaded steel tube

WEIGHT

Pendant Direct: 2 lb/ft - 0.91 kg/ft

Pendant Direct/Indirect: 2.5 lb/ft - 1.13 kg/ft

Recessed: 2.5 lb/ft - 1.13 kg/ft

Surface: 2 lb/ft - 0.91 kg/ft

CERTIFICATIONS

ETL: Rated for indoor dry/damp locations. Conforms to UL Standard 1598 and certified to CAN/CSA Standard C22.2 No. 250.0.

IC rated: Suitable for direct contact with insulation. For Recessed mounting only.

Declare: [LBC Red List Approved](#)

WARRANTY

Lumenwerx provides a five-year limited warranty on electrical and mechanical performance of the luminaires, including the LED boards, drivers, and auxiliary electronics. Lumenwerx will repair or replace defective luminaires or components at our discretion, provided they have been installed and operated in accordance with our specifications. Other limitations apply, please refer to the full warranty on our website.