

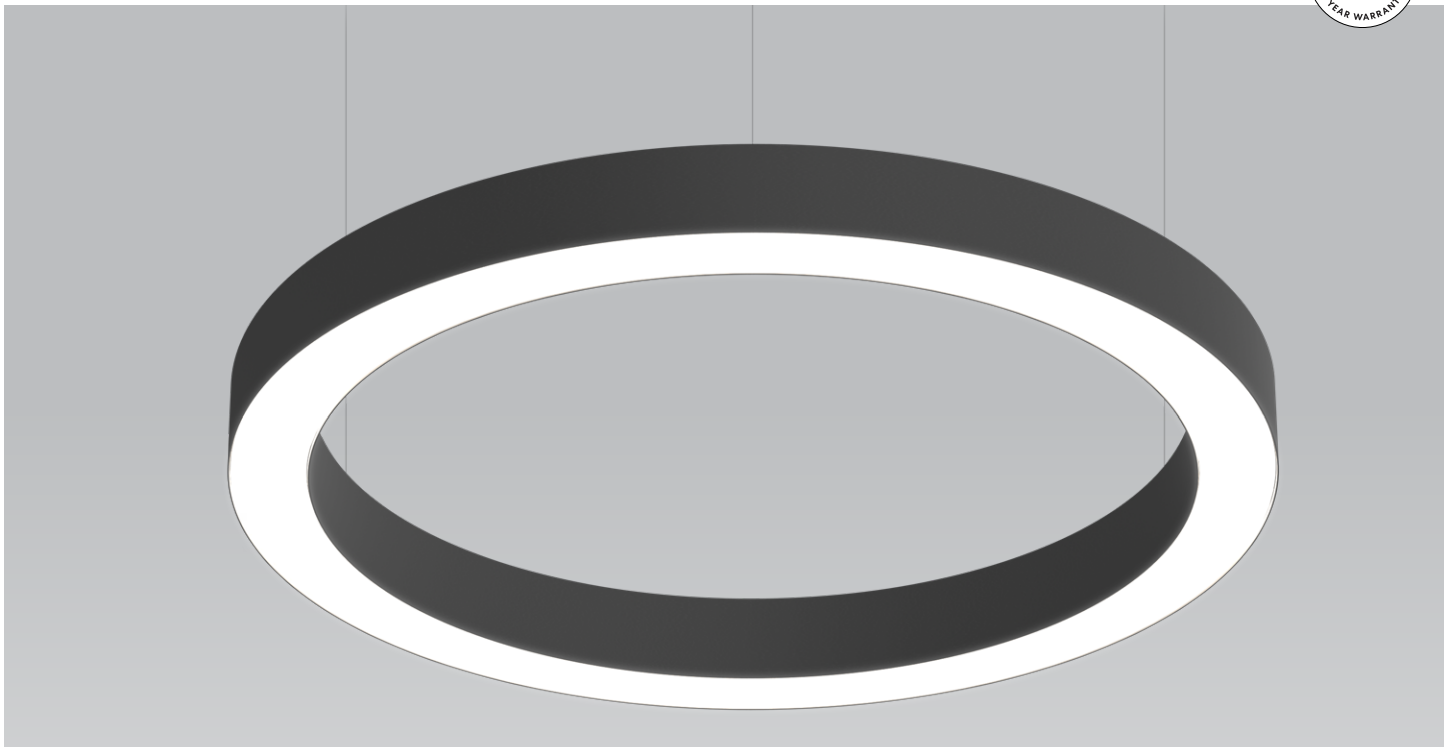
CURVIA 3

RING

PENDANT - RECESSED - SURFACE

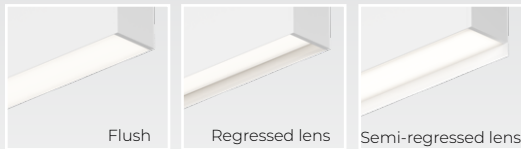


Declare.

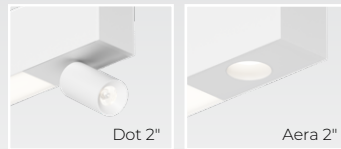


Our extensive Curvia family illuminates with elegant curvilinear shapes and patterns, enhancing spaces with a soft touch and a graceful sense of movement. Available in various mounting options and sizes, Curvia luminaires feature a unique, sophisticated aesthetic that complements their technical prowess in delivering precise, powerful, and comfortable lighting solutions.

Lens Positions



Module Options



SENSORS
For latest information on sensors, click [here](#).



Curvia Additions Brochure

Curvia Family (Refer to other spec sheets)

Curvia Mini	Curvia Slim	Curvia Slim Seal	Curvia Prism	Curvia	Curvia XYZ	Curvia Horizon	Curvia Perimeter	Curvia Seal Perimeter	Curvia Seal	Curvia Acoustix
1"	1", 2"	1", 2"	2"	2", 3", 4"	2", 3"	2", 3"	2", 3", 4", 5"	2", 3", 4"	2", 3", 4"	2"
Ring	Ring Shapes Pattern	Ring Shapes Pattern	Ring Shapes Pattern	Ring Shapes Pattern	Pattern	Ring Shapes	Pattern	Pattern	Ring Shapes Pattern	Ring Shapes Pattern

3737 Cote Vertu St-Laurent, Quebec, Canada H4R 2C9
T (514) 225-4304 F (514) 931-4862
www.lumenwerx.com



Lumenwerx reserves the right to modify product specifications without notification.
© Lumenwerx, ULC. All rights reserved.
CURVIA3-RING-SPEC-REV6 March 24, 2026

CURVIA 3

RING

PENDANT - RECESSED - SURFACE



Project: _____

Type: _____

Order Guide

LUMINAIRE ID		DISTRIBUTION	SIZE ^{2,3}	DIRECT OPTIC	LENS POSITION	INDIRECT OPTIC Specify NA for Direct fixture
CURV3RIP - Curvia 3" Ring Pendant CURV3RIR - Curvia 3" Ring Recessed CURV3RIS - Curvia 3" Ring Surface		DI ¹ - Direct/Indirect D - Direct ¹ Only available for pendant mounting.	2FT - Ø 2' 3FT - Ø 3' 4FT - Ø 4' 5FT - Ø 5' 6FT - Ø 6' 8FT - Ø 8' 10FT - Ø 10' 12FT - Ø 12' #FT ⁴ - Custom, specify diameter (#)	HLO - High-Efficiency Lambertian Optic AOO ⁵ - Asymmetric Opal Optic BLA ⁶ - Blank	FH - Flush RG ⁷ - Regressed SRG ^{7,8} - Semi-regressed	HLO - High-Efficiency Lambertian Optic NA - Not applicable
² Dimensions are referenced to fixture centerline. See page 5 for actual dimensions. ³ Ø 8' and over will be shipped in separate pieces. ⁴ Minimum Ø 2'.		⁵ Direction of light must be indicated on RCP/lighting plans. ⁶ Specify when only modules are required.		⁷ Only available with HLO. ⁸ Not available with recessed mounting.		
LIGHT SOURCE ⁹		CRI	DIRECT LUMEN PACKAGE ¹²	INDIRECT LUMEN PACKAGE ¹⁴ Specify NA for Direct fixture	COLOR TEMPERATURE	
SW - Static white FS - Full spectrum static white ⁹ Chromawerx SOLA, DUO, and QUADRO also available. Consult factory.		80CRI ¹⁰ - 80+ CRI 90CRI ¹⁰ - 90+ CRI 95CRI ¹¹ - 95+ CRI ¹⁰ Not available with full spectrum. ¹¹ Not available with static white.	350LMF - Eco low output 350 lm/ft 500LMF - Low output 500 lm/ft 750LMF - Medium output 750 lm/ft 1000LMF ¹³ - High output 1000 lm/ft NA - Not applicable	350LMF - Eco low output 350 lm/ft 500LMF - Low output 500 lm/ft 750LMF - Medium output 750 lm/ft 1000LMF ¹⁵ - High output 1000 lm/ft NA - Not applicable	27K - 2700K 30K - 3000K 35K - 3500K 40K - 4000K 50K - 5000K	
¹² To calculate the total lumens, multiply the lumen package (lm/ft) by the circumference of the ring (diameter x π). ¹³ Not available with full spectrum.		¹⁴ To calculate the total lumens, multiply the lumen package (lm/ft) by the circumference of the ring (diameter x π). ¹⁵ Not available with full spectrum.				
VOLTAGE		DRIVER ¹⁷	ELECTRICAL			
120V - 120V 277V - 277V UNV - 120V-277V 347V ¹⁶ - 347V ¹⁶ Only available with DI driver. Minimum Ø 5' fixture for integral drivers.		DI - 1% 0-10V ELV ¹⁸ - ELV 120V TRI ¹⁸ - TRIAC 120V DA ^{19,20} - DALI LDEI ^{19,20} - Lutron Hi-Lume 1% Eco ELD1 ¹⁹ - eldoLED 1% ECOdrive 0-10V ELDO ¹⁹ - eldoLED 0.1% SOLOdrive 0-10V ¹⁷ Integral or remote subject to factory evaluation. Code will be updated with prefix "R" if factory determines driver to be remote. ¹⁸ Only available with 120V. ¹⁹ Minimum Ø 5' fixture for integral drivers. ²⁰ On-site commissioning is required.	1C - 1 circuit 2C ²¹ - 2 circuits EC - Emergency-powered fixture NL - Night light fixture DL - Daylight fixture GTD ^{22,23} - Generator transfer device fixture ²¹ Only available for Direct/Indirect. Separate direct and indirect circuits. ²² Integral or remote subject to factory evaluation. GTD/EMB must be housed with the driver. ²³ Not available with 347V. ²⁴ Minimum Ø 7' fixture for integral battery. The battery powers the direct LEDs. ²⁵ Not available with EC or GTD. To specify, add +EMB() to the selected electrical option and specify the lighting configuration desired, e.g. 1C+EMB(FL). ²⁶ Only available with Ø 2' to Ø 4'. ²⁷ Only available with Ø 5' and bigger. For Ø 5' to Ø 6', fixture will be half lit. For Ø 7' to Ø 9', fixture will be third lit. For Ø 10' to Ø 12', fixture will be quarter lit.			
²⁵ Emergency battery option ^{22, 23, 24, 25} +EMB(FL) ²⁶ - Emergency battery, fully lit +EMB(SL) ²⁷ - Emergency battery, section lit						
MOUNTING ²⁸		FINISH	OPTIONS ³³	MODULE (optional) ³⁶		
PENDANT ²⁹ <u>Single canopy</u> ^{30,31} SRACS - Single round canopy, aircraft cable, standard SRACC() - Single round canopy, aircraft cable, custom <u>Multiple canopies</u> ³² ACS - Aircraft cable, standard STS - Stem, standard ACC() - Aircraft cable, custom STC() - Stem, custom ²⁸ The mounting options selected must reflect the luminaire ID. ²⁹ Standard canopies are black for black fixtures, and white for all other finishes. See page 4 for full details on standard and custom options. ³⁰ Only available up to Ø 4'. ³¹ The minimum required mounting heights (distance from ceiling to top of fixture in inches) are: Ø 2' - min 15" Ø 3' - min 22" Ø 4' - min 29". ³² 4 Canopies or more provided.		RECESSED DTR - Trim DMF - Drywall mud flange	SURFACE DRC - Drywall ceiling	W - Matte white AL - Aluminum B - Matte black CF# - Custom finish, specify RAL#	FU120 - Fuse 120V FU277 - Fuse 277V CTB9 ³⁴ - T-bar caddy clip, 9/16" CTB15 ³⁴ - T-bar caddy clip, 15/16" CTG9 ³⁴ - Tegular caddy clip, 9/16" CTG15 ³⁴ - Tegular caddy clip, 15/16" CST ³⁴ - Screw slot caddy clip FWC ³⁵ - Flexible whip cable (6' std) CP ³⁵ - Chicago Plenum NA - None	#DOT2M() - Dot 2" #AE2R() - Aera 2" Round Downlight NA - None ³⁶ See page 3 for ordering details. • Only available with static white. • Only available with flush lens. • Not available with EMB.
³³ Separate codes with a "+" if more than one is specified. ³⁴ Only available with pendant mounting aircraft cable option. ³⁵ Only available with recessed mounting.						



CURVIA 3

RING

PENDANT - RECESSED - SURFACE



Module Code

- For a module, specify the options in the parentheses.
- The light source is static white.
- CRI of module matches specification of main fixture.
- Minimum 4' fixture and minimum 2' section per module. Consult factory for other configurations.

Example: 1DOT2M(4IN-FTMB-SDB-FTMB-20DEG-1100LM-27K)

MODULE ^{1,2}	HEIGHT	CYLINDER FINISH	BAFFLE	BAFFLE FINISH	BEAM ANGLE	LUMEN PACKAGE	COLOR TEMP.
#DOT2M() - Dot 2" <small>¹Specify quantity (#). ²6" blank per module. Blank finish will match fixture finish.</small>	4IN - 4"	FTMB - Matte black FTMW - Matte white CF# - Custom finish, specify RAL #	SDB - Standard baffle DCB ³ - Decorative baffle <small>³Recommended when a different finish is desired for the baffle.</small>	FTMB - Matte black FTMW - Matte white CF# - Custom finish, specify RAL #	20DEG - 20° Spot 35DEG - 35° Narrow flood 50DEG - 50° Wide flood	1100LM - 1100 lm, 15.9 W 1260LM - 1260 lm, 17.8 W	27K - 2700K 30K - 3000K 35K - 3500K 40K - 4000K

Example: 1AE2R(7W-10DEG-27K-SDL-FTMB)

MODULE ^{1,2,3}	WATTAGE	BEAM ANGLE	COLOR TEMP.	LENS AT BAFFLE	BAFFLE FINISH
#AE2R() - Aera 2" Round Downlight <small>¹Specify quantity (#). ²6" blank per module. Blank finish will match fixture finish. ³Module is trimless.</small>	7W - 7 W output, up to 714 lm 10W - 10 W output, up to 961 lm	10DEG - 10° very narrow spot 15DEG - 15° Narrow spot 25DEG - 25° Spot 35DEG - 35° Narrow flood 50DEG - 50° Wide flood	27K - 2700K 30K - 3000K 35K - 3500K 40K - 4000K 50K - 5000K	SDL - Soft diffused lens, solite FDL - Frosted diffused lens CL - Clear lens	FTMB - Matte black FTMW - Matte white FSPC - Satin silver FSSPC - Matte silver FCHP - Champagne FDBZ - Dark bronze CF# - Custom finish, specify RAL#

CURVIA 3

RING

PENDANT - RECESSED - SURFACE



Pendant Mounting Code

Aircraft Cable - single canopy

Standard

SRACS - Single round canopy, aircraft cable, standard

- Ø 5" round single canopy with 4 cables
- Canopy is black for black fixtures, and white for all other fixture finishes
- Power cord is black for black fixtures, and white for all other fixture finishes
- Aircraft cable length is 48"

Custom

Example: SRACC(5PC-72IN-W-PCB)

SRACC () - Single round canopy, aircraft cable, custom

CANOPY SIZE	AIRCRAFT CABLE LENGTH	CANOPY FINISH	POWER CORD COLOR
5PC - Ø 5" power canopy	48IN - 48" 72IN - 72" 120IN - 120" #IN ¹ - Other lengths, specify in inches	W - Matte white AL - Aluminum B - Matte black CF# - Custom finish, specify RAL#	PCW - White PCB - Black

¹Maximum length is 288". For longer lengths, please consult factory.

Aircraft Cable - multiple canopies

Standard

ACS - Aircraft cable, standard

- Ø 5" for power canopy
- Ø 3" for non-power canopy
- Canopies are black for black fixtures, and white for all other fixture finishes
- Power cord is black for black fixtures, and white for all other fixture finishes
- Aircraft cable length is 36"

Custom

Example: ACC(3NPC-72IN-W-PCB-NA)

ACC () - Aircraft cable, custom

NON-POWER CANOPY SIZE	AIRCRAFT CABLE LENGTH	CANOPY FINISH	POWER CORD COLOR	OPTION
3NPC - Ø 3" non-power canopy 5NPC - Ø 5" non-power canopy	36IN - 36" 72IN - 72" 120IN - 120" #IN ¹ - Other lengths, specify in inches	W - Matte white AL - Aluminum B - Matte black CF# - Custom finish, specify RAL#	PCW - White PCB - Black	SEM ² - Seismic mounting SLC ² - Sloped ceiling for aircraft cable NA - None

¹Maximum length is 288". For longer lengths, please consult factory.

²Not available with the Ø 3" non-power canopy size.

Stem

Standard

STS - Stem, standard

- Ø 5" for power canopy
- Ø 5" for non-power canopy
- Canopies are black for black fixtures, and white for all other fixture finishes
- Stem finish is the same color as fixture
- Stem length is 18"
- Stem is not field adjustable

Custom

Example: STC(5NPC-36IN-W-STW-SLS)

STC () - Stem, custom

NON-POWER CANOPY SIZE	STEM LENGTH	CANOPY FINISH	STEM COLOR	OPTION
5NPC - Ø 5" non-power canopy	18IN - 18" 36IN - 36" #IN ¹ - Specify length in inches	W - Matte white AL - Aluminum B - Matte black CF# - Custom finish, specify RAL#	STW - Matte white STAL - Aluminum STB - Matte black STCF# - Custom finish, specify RAL#	SLS - Sloped ceiling for stem NA - None

¹Minimum length is 6". Maximum length is 72". Stem is not field adjustable.

CURVIA 3

RING

PENDANT - RECESSED - SURFACE

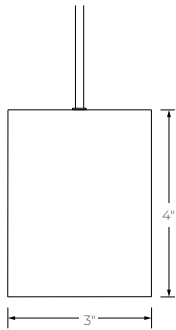


Dimensions

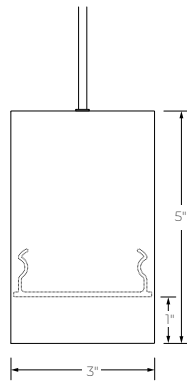
PENDANT

DIRECT/INDIRECT

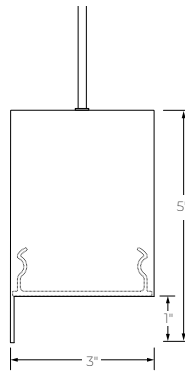
Flush Lens



Regressed Lens



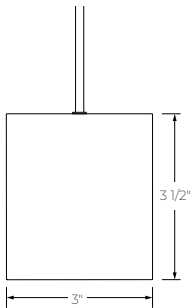
Semi-regressed Lens



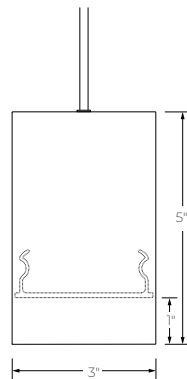
Nominal Diameter (FT)	Centerline Diameter (IN)
2	19
3	36
4	43
5	60
6	72
8	96
10	120
12	144
#FT	Centerline diameter

DIRECT

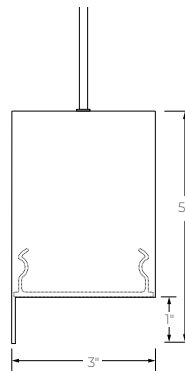
Flush Lens



Regressed Lens

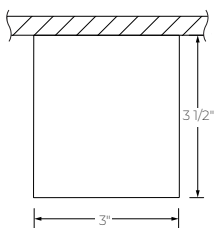


Semi-regressed Lens

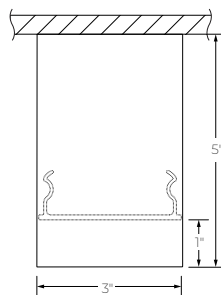


SURFACE

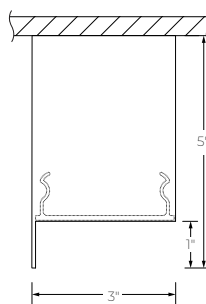
Flush Lens



Regressed Lens



Semi-regressed Lens



CURVIA 3

RING

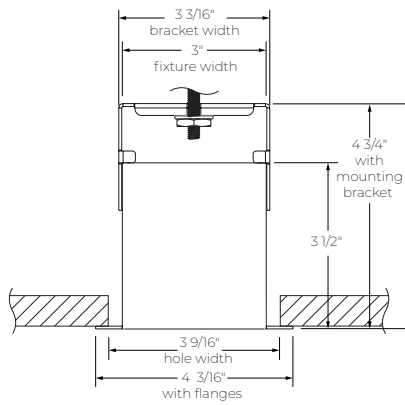
PENDANT - RECESSED - SURFACE



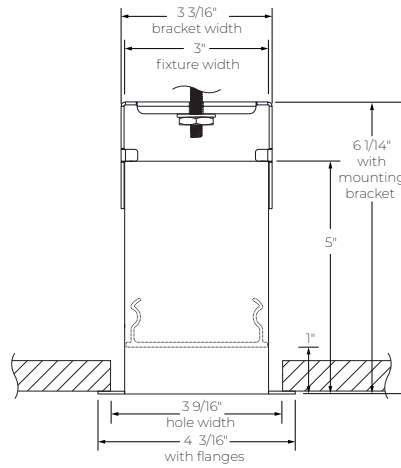
RECESSED

DTR - Trim

Flush Lens

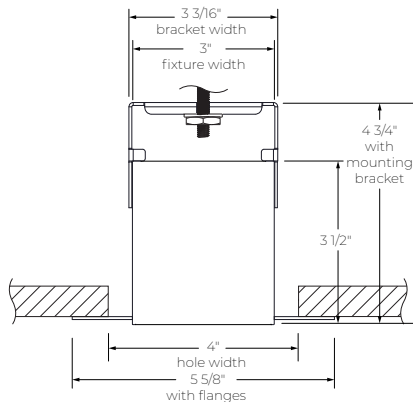


Regressed Lens

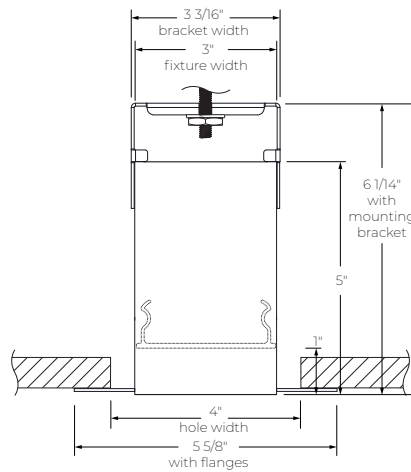


DMF - Drywall mud flange

Flush Lens



Regressed Lens



CURVIA 3

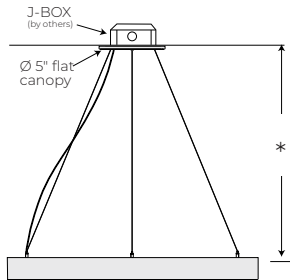
RING

PENDANT - RECESSED - SURFACE

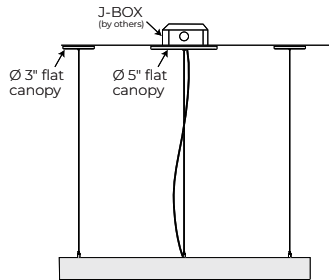


Mounting Options

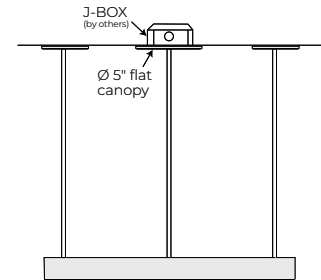
PENDANT



POWER CORD + AIRCRAFT CABLE
SC - SINGLE CANOPY



POWER CORD + AIRCRAFT CABLE
MC - MULTIPLE CANOPIES



STEM
MC - MULTIPLE CANOPIES

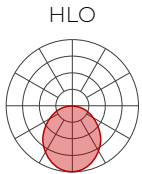
* For single canopy option, the minimum required mounting heights: Ø 2' : min 15" | Ø 3' : min 22" | Ø 4' : min 29".

Photometrics

Values calculated based on Curvia 3 Ring Ø 2' at 3500K for all optics.

DIRECT OPTICS

INDIRECT OPTIC



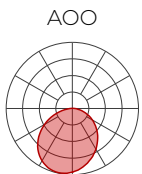
HLO

LM/FT	W/FT	LM/W
350	2.9	122
500	4.3	118
750	6.7	112
1000	9.4	106



HLO

LM/FT	W/FT	LM/W
350	2.4	149
500	3.5	145
750	5.4	139
1000	7.4	134



AOO

LM/FT	W/FT	LM/W
350	3.4	104
500	5.0	100
750	7.9	95
1000	11.1	90

MULTIPLIER TABLES

Use these tables to get results for different color temperatures and lens positions for all photometric tables.

Multiplier - CCT

CCT	WATTS		LPW	
	80+ CRI / 90+ CRI	80+ CRI / 90+ CRI	80+ CRI / 90+ CRI	80+ CRI / 90+ CRI
2700K	1.05		0.95	
3000K	1.02		0.98	
3500K	1.00		1.00	
4000K	1.00		1.00	
5000K	0.96		1.04	

Multiplier - Lens position

DIRECT LENS	WATTS	LPW
Flush lens	1.00	1.00
Regressed lens	0.98	1.02
Semi-regressed lens	0.98	1.02

DIRECT/INDIRECT - LPW CALCULATION

For Direct/Indirect performance values, follow the formula.

$$\left(\frac{\text{DIRECT LM/FT} + \text{INDIRECT LM/FT}}{\text{DIRECT W/FT} + \text{INDIRECT W/FT}} \right) = \text{LPW}$$

CURVIA 3

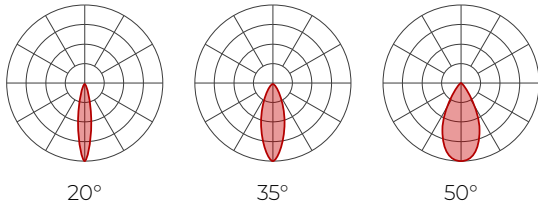
RING

PENDANT - RECESSED - SURFACE



DOT 2" MODULE

Values calculated based on 3500K.



Delivered lumens (LM)

WATTAGE	LUMEN PACKAGE
15.9 W	1100
17.8 W	1260

Efficacy (LM/W)

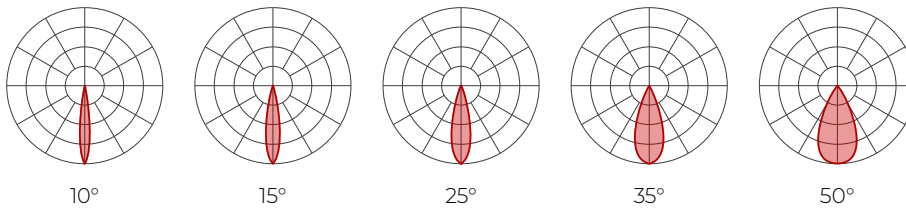
WATTAGE	EFFICACY
15.9 W	69
17.8 W	71

Please follow the multiplier table to ensure correct lumen value.

CCT	
2700K	0.94
3000K	0.96
3500K	1
4000K	1.02

AERA 2" MODULE

Values calculated based on 3500K and SDL lens option.



Delivered lumens (LM)

BEAM	80+ CRI					90+ CRI				
	10°	15°	25°	35°	50°	10°	15°	25°	35°	50°
7 W	589	654	714	705	676	550	611	667	659	632
10 W	792	880	961	949	910	740	822	898	887	850

Please follow the multiplier tables to ensure correct lumen value.

CCT	
2700K	0.94
3000K	0.98
3500K	1
4000K	1.05
5000K	1.05

Efficacy (LM/W)

BEAM	80+ CRI					90+ CRI				
	10°	15°	25°	35°	50°	10°	15°	25°	35°	50°
7 W	84	93	102	101	97	79	87	95	94	90
10 W	79	88	96	95	91	74	82	90	89	85

LENS AT BAFFLE	
SDL - Soft diffused lens, Solite	1
FDL - Frosted lens	0.8
CL - Clear lens	1.1

CURVIA 3

RING

PENDANT - RECESSED - SURFACE



Technical Specifications

OPTICS

High-Efficiency Lambertian Optic (HLO)

Lumenwerx's High-Efficiency Lambertian Optic is engineered with reflective sidewalls that distribute LED output across acrylic shielding. To negotiate the curves of Lumenwerx rounded fixtures, the HLO is equipped with proprietary SupremeGrip™ technology, which keeps the optic securely in place.

Asymmetric Opal Optic (AOO)

The Asymmetric Opal Optic (AOO) provides targeted illumination while diffusing light evenly, minimizing glare and spill. Its design creates a soft, inviting ambiance, making it ideal for architectural and accent lighting in modern spaces.

LIGHT SOURCE

Static white

Custom array of mid-flux LEDs are cartridge-mounted with quick-connect wiring to facilitate service and thermal management. Available in 2700K, 3000K, 3500K, 4000K, and 5000K with a minimum 80+ CRI and an option for 90+ CRI with elevated R9 value. Color consistency maintained to within 3 SDCM. LEDs operate at reduced drive current to optimize efficacy and lumen maintenance. All LEDs have been tested in accordance with IESNA LM-80-08 and the results have shown L80 lumen maintenance greater than 60,000 hours. Absolute product photometry is measured and presented in accordance with IESNA LM-79, unless otherwise indicated.

Full spectrum static white

The full spectrum LED option offers improved color particularly in the cyan region that is beneficial in both healthcare and circadian lighting strategies. The cyan region in full spectrum LED is richer at the 480 nm range.

ELECTRICAL

Factory-set, adjustable output current LED driver with universal (120-277 VAC) input. Dimmable from 100% to 1% with 0-10V dimming control. Rated life (90% survivorship) of 50,000 hours at 50°C max. ambient (and 70°C max. case) temperature. At maximum driver load: Efficiency > 84%, PF > 0.9, THD < 20%. Other specifiable options include Lutron Hi-Lume 1% Eco, eldoLED 1% ECOdrive 0-10V, eldoLED 0.1% SOLOdrive 0-10V, ELV, TRIAC, and DALI protocol drivers. All of our standard 0-10V drivers are NEMA 410 compliant. ELV and TRIAC dimming performance (including minimum dimming percentage) subject to dimmer selection.

PoE

Depending on the PoE manufacturer selected, Lumenwerx will install the node in factory as either integral to the luminaire or as a remote module. Factory programming of the PoE node may or may not enable the following functionalities: lumen package, DUO (tunable white), QUADRO (RGBW), emergency battery backup, and sensor integration. These must be addressed and evaluated on a case-by-case basis.

Battery

Factory installed long life, high temperature, maintenance-free Lithium-Ion battery pack with self-test functionality, test switch and charge indicator. Minimum of 90 minutes operation, up to 1000 lumens per 4' (25°C) emergency lighting output and recharge time of 24 hours.

MOUNTING

Pendant: Pendant fixtures can be mounted either with aircraft cable or with stem.

Recessed: Recessed fixtures can be mounted in drywall ceilings with trim or mud flange options.

Surface: Surface fixtures can be mounted directly to drywall and hard surface ceilings, hardware supplied by others. A minimum of 6" from the vertical wall is required.

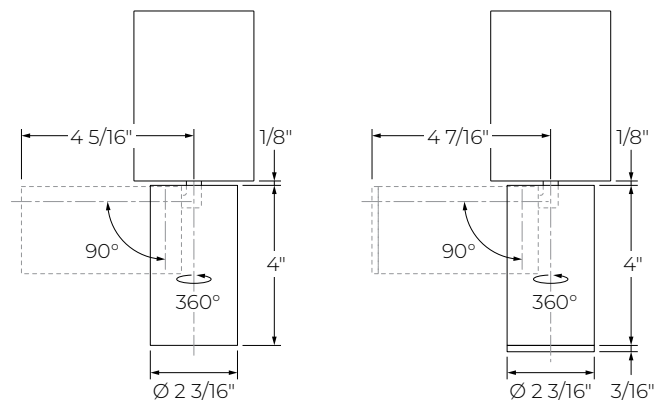
FINISH

Interior: 95% reflective matte powder coated white paint.

Exterior: Matte white, matte black or aluminum powder coating. Custom finishes are also available.

DOT MODULE

Dot is a round spotlight that rotates 360° and tilts 90°, available in three beam angles of 20°, 35°, and 50°. LED light source CCT options are 2700K, 3000K, 3500K, and 4000K available in either 80+ CRI or 90+ CRI. Offered in 4" height with two baffle options: standard and decorative. Dot is available in a white, black, or custom finish.



Dot 2" - Standard baffle

Dot 2" - Decorative baffle

CURVIA 3

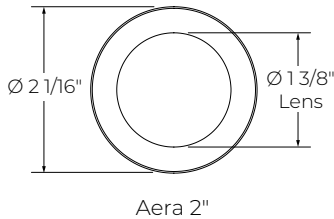
RING

PENDANT - RECESSED - SURFACE



AERA MODULE

Aera Downlight is available in five beam angles of 10°, 15°, 25°, 35°, and 50°. LED light source CCT options are 2700K, 3000K, 3500K, 4000K, and 5000K available in either 80+ CRI or 90+ CRI. Aera Downlight is available in a wide range of colors.



CONSTRUCTION

Housing: Extruded aluminum and aluminum sheet, up to 90% recycled content

Reflectors: Aluminum

Lens: Acrylic

Hanger: Chromed griplock securely attached in end caps and/or joiners with stainless steel hardware

Aircraft cable suspension: \varnothing 1/16" stainless steel aircraft cable

Stem: \varnothing 1/2" threaded steel tube

WEIGHT

Pendant Direct: 2.25 lb/ft - 1.02 kg/ft

Pendant Direct/Indirect: 2.8 lb/ft - 1.27 kg/ft

Recessed: 2.8 lb/ft - 1.27 kg/ft

Surface: 2.25 lb/ft - 1.02 kg/ft

CERTIFICATIONS

ETL: Rated for indoor dry/damp locations. Conforms to UL Standard 1598 and certified to CAN/CSA Standard C22.2 No. 250.0.

IC rated: Suitable for direct contact with insulation. For Recessed mounting only.

Declare: [LBC Red List Approved](#)

WARRANTY

Lumenwerx provides a five-year limited warranty on electrical and mechanical performance of the luminaires, including the LED boards, drivers, and auxiliary electronics. Lumenwerx will repair or replace defective luminaires or components at our discretion, provided they have been installed and operated in accordance with our specifications. Other limitations apply, please refer to the full warranty on our website.