

# CURVIA 3

## SHAPES

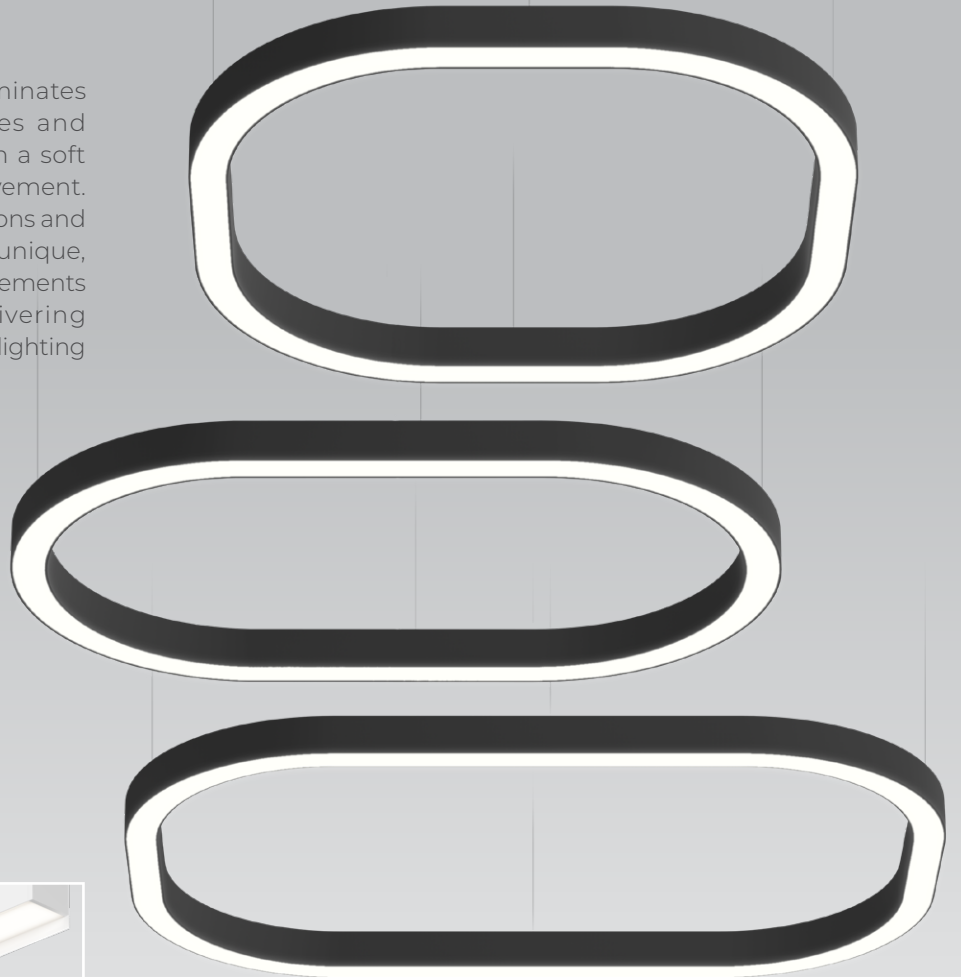
PENDANT - RECESSED - SURFACE



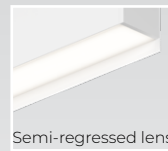
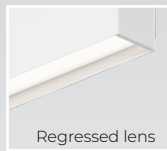
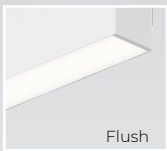
Declare.



Our extensive Curvia family illuminates with elegant curvilinear shapes and patterns, enhancing spaces with a soft touch and a graceful sense of movement. Available in various mounting options and sizes, Curvia luminaires feature a unique, sophisticated aesthetic that complements their technical prowess in delivering precise, powerful, and comfortable lighting solutions.



### Lens Positions



### Module Options



**SENSORS**  
For latest information on sensors, click [here](#).



Curvia Additions Brochure

### Curvia Family (Refer to other spec sheets)

Curvia Mini

1"



Ring

Curvia Slim

1", 2"



Ring  
Shapes  
Pattern

Curvia Slim Seal

1", 2"



Ring  
Shapes  
Pattern

Curvia Prism

2"



Ring  
Shapes  
Pattern

**Curvia**

2", 3", 4"



Ring  
**Shapes**  
Pattern

Curvia XYZ

2", 3"



Pattern

Curvia Horizon

2", 3"



Ring  
Shapes

Curvia Perimeter

2", 3", 4", 5"



Pattern

Curvia Seal Perimeter

2", 3", 4"



Pattern

Curvia Seal

2", 3", 4"



Ring  
Shapes  
Pattern

Curvia Acoustix

2"



Ring  
Shapes  
Pattern

3737 Cote Vertu St-Laurent, Quebec, Canada H4R 2C9  
T (514) 225-4304 F (514) 931-4862

[www.lumenwerx.com](http://www.lumenwerx.com)



Lumenwerx reserves the right to modify product specifications without notification.  
© Lumenwerx, ULC. All rights reserved.

CURVIA3-SHAPES-SPEC-REV6 March 24, 2026

# CURVIA 3

## SHAPES

### PENDANT - RECESSED - SURFACE



Project: \_\_\_\_\_

Type: \_\_\_\_\_

## Order Guide

LUMINAIRE ID		DISTRIB.	SIZE <sup>2</sup>	CORNER RADIUS <sup>5</sup> Specify NA for Capsule	DIRECT OPTIC	LENS POSITION	INDIRECT OPTIC Specify NA for Direct fixture		
<b>SQUARE</b> <b>CURV3SQP</b> - Curvia 3" Square Pendant <b>CURV3SQR</b> - Curvia 3" Square Recessed <b>CURV3SQS</b> - Curvia 3" Square Surface  <b>RECTANGLE</b> <b>CURV3REP</b> - Curvia 3" Rectangle Pendant <b>CURV3RER</b> - Curvia 3" Rectangle Recessed <b>CURV3RES</b> - Curvia 3" Rectangle Surface  <b>CAPSULE</b> <b>CURV3CAP</b> - Curvia 3" Capsule Pendant <b>CURV3CAR</b> - Curvia 3" Capsule Recessed <b>CURV3CAS</b> - Curvia 3" Capsule Surface		<b>D1</b> <sup>1</sup> - Direct/Indirect <b>D</b> - Direct  <sup>1</sup> Only available for pendant mounting.	<b>#FT#INX#FT#IN</b> <sup>3,4</sup> - Nominal length X nominal width  <sup>2</sup> The real dimension of the fixture can differ up to 2.5" from the nominal size. <sup>3</sup> Specify nominal length (#) and width (#) in 1" and/or 1/2" increments. <sup>4</sup> Minimum size: Square 4" x 4"; Rectangle 4" x 6"; and Capsule 3" x 2".	<b>R12</b> - 12" radius <b>R18</b> - 18" radius <b>R24</b> - 24" radius <b>R30</b> - 30" radius <b>R36</b> - 36" radius <b>RXX</b> <sup>6</sup> - Custom radius in inches <b>NA</b> <sup>7</sup> - Not applicable  <sup>5</sup> Radii are referenced to fixture centerline. <sup>6</sup> Minimum radius is 8". Consult factory for smaller radii. <sup>7</sup> For Capsule, radius is defined by the size.	<b>HLO</b> - High-Efficiency Lambertian Optic <b>AOO</b> <sup>8</sup> - Asymmetric Opal Optic <b>BLA</b> <sup>9</sup> - Blank  <sup>8</sup> Direction of light must be indicated on RCP/lighting plans. <sup>9</sup> Specify when only modules are required.	<b>FH</b> - Flush <b>RG</b> <sup>10</sup> - Regressed <b>SRG</b> <sup>10,11</sup> - Semi-regressed  <sup>10</sup> Only available with HLO. <sup>11</sup> Not available with recessed mounting.	<b>HLO</b> - High-Efficiency Lambertian Optic <b>NA</b> - Not applicable		
LIGHT SOURCE <sup>12</sup> CRI		DIRECT LUMEN PACKAGE <sup>15</sup>		INDIRECT LUMEN PACKAGE <sup>17</sup> Specify NA for Direct fixture		COLOR TEMPERATURE	VOLTAGE		
<b>SW</b> - Static white <b>FS</b> - Full spectrum static white  <sup>12</sup> Chromawerx SOLA, DUO, and QUADRO also available. Consult factory.		<b>80CRI</b> <sup>13</sup> - 80+ CRI <b>90CRI</b> <sup>13</sup> - 90+ CRI <b>95CRI</b> <sup>14</sup> - 95+ CRI  <sup>13</sup> Not available with full spectrum. <sup>14</sup> Not available with static white.		<b>350LMF</b> - Eco low output 350 lm/ft <b>500LMF</b> - Low output 500 lm/ft <b>750LMF</b> - Medium output 750 lm/ft <b>1000LMF</b> <sup>16</sup> - High output 1000 lm/ft <b>NA</b> - Not applicable  <sup>15</sup> To calculate the total lumens, multiply the lumen package (lm/ft) by the length of the shape (ft). <sup>16</sup> Not available with full spectrum.		<b>350LMF</b> - Eco low output 350 lm/ft <b>500LMF</b> - Low output 500 lm/ft <b>750LMF</b> - Medium output 750 lm/ft <b>1000LMF</b> <sup>18</sup> - High output 1000 lm/ft <b>NA</b> - Not applicable  <sup>17</sup> To calculate the total lumens, multiply the lumen package (lm/ft) by the length of the shape (ft). <sup>18</sup> Not available with full spectrum.		<b>27K</b> - 2700K <b>30K</b> - 3000K <b>35K</b> - 3500K <b>40K</b> - 4000K <b>50K</b> - 5000K	<b>120V</b> - 120V <b>277V</b> - 277V <b>UNV</b> - 120V-277V <b>347V</b> <sup>19</sup> - 347V  <sup>19</sup> Only available with D1 driver. Subject to factory evaluation.
DRIVER <sup>20</sup>		ELECTRICAL		ELECTRICAL SECTIONS (optional) <sup>28, 29</sup>					
<b>D1</b> - 1% 0-10V <b>ELV</b> <sup>21</sup> - ELV 120V <b>TRI</b> <sup>21</sup> - TRIAC 120V <b>DA</b> <sup>22</sup> - DALI <b>LDEI</b> <sup>22</sup> - Lutron Hi-Lume 1% Eco <b>ELD1</b> - eldoLED 1% ECOdrive 0-10V <b>ELD0</b> - eldoLED 0.1% SOLOdrive 0-10V  <sup>20</sup> Integral or remote subject to factory evaluation. Code will be updated with prefix "R" if factory determines driver to be remote. <sup>21</sup> Only available with 120V. <sup>22</sup> On-site commissioning is required.		<b>1C</b> - 1 circuit <b>2C</b> <sup>23</sup> - 2 circuits <b>#MC</b> <sup>24</sup> - Multi circuit <b>EC</b> - Emergency-powered fixture <b>NL</b> - Night light fixture <b>DL</b> - Daylight fixture <b>GTD</b> <sup>25, 26, 27</sup> - Generator transfer device fixture  <sup>23</sup> Only available for Direct/Indirect. Separate direct and indirect circuits. <sup>24</sup> Specify total number of circuits (#), including any required for electrical section options. Provide drawing or layout specifications. Minimum 4' section per circuit for integral drivers. <sup>25</sup> Integral or remote subject to factory evaluation. GTD must be housed with the driver. <sup>26</sup> Not available with 347V. <sup>27</sup> Minimum 12" radius for integral GTD.		<b>#EC##</b> <sup>30</sup> - Emergency-powered section <b>#NL##</b> <sup>30</sup> - Night light section <b>#DL##</b> <sup>30</sup> - Daylight section <b>#GTD##</b> <sup>30, 31, 32, 33</sup> - Generator transfer device section <b>#EMB</b> <sup>31, 32, 34, 35</sup> - Emergency battery <b>NA</b> - None  <sup>28</sup> Specify with multi circuit (#MC) electrical option only. <sup>29</sup> Provide drawing or layout specifications. Consult factory for other configurations. Default section length is 4'. <sup>30</sup> Specify quantity (#), and section length in inches (##). <sup>31</sup> Integral or remote subject to factory evaluation. GTD/EMB must be housed with the driver. <sup>32</sup> Not available with 347V. <sup>33</sup> Minimum 12" radius for integral GTD. <sup>34</sup> Specify quantity (#). Each battery powers a 4' linear section. Minimum length of linear section is 5' for Direct and 8' for Direct/Indirect. <sup>35</sup> All batteries will be on the same circuit and power the direct LEDs.					
MOUNTING <sup>36</sup>		FINISH		OPTIONS <sup>38</sup>		MODULE (optional) <sup>41</sup>			
<b>PENDANT</b> <sup>37</sup> <b>ACS</b> - Aircraft cable, standard <b>STS</b> - Stem, standard <b>ACC()</b> - Aircraft cable, custom <b>STC()</b> - Stem, custom  <sup>36</sup> The mounting options selected must reflect the luminaire ID. <sup>37</sup> Standard canopies are black for black fixtures, and white for all other finishes. See page 3 for full details on standard and custom options.		<b>RECESSED</b> <b>DTR</b> - Trim <b>DMF</b> - Drywall mud flange	<b>SURFACE</b> <b>DRC</b> - Drywall ceiling	<b>W</b> - Matte white <b>AL</b> - Aluminum <b>B</b> - Matte black <b>CF#</b> - Custom finish, specify RAL#	<b>FU120</b> - Fuse 120V <b>FU277</b> - Fuse 277V <b>CTB9</b> <sup>39</sup> - T-bar caddy clip, 9/16" <b>CTB15</b> <sup>39</sup> - T-bar caddy clip, 15/16" <b>CTC9</b> <sup>39</sup> - T-bar caddy clip, 9/16" <b>CTG15</b> <sup>39</sup> - T-bar caddy clip, 15/16" <b>CST</b> <sup>38</sup> - Screw slot caddy clip <b>FWC</b> <sup>40</sup> - Flexible whip cable (6' std) <b>CP</b> <sup>40</sup> - Chicago Plenum <b>NA</b> - None  <sup>38</sup> Separate codes with a "+" if more than one is specified. <sup>39</sup> Only available with pendant mounting aircraft cable option. <sup>40</sup> Only available with recessed mounting.	<b>#DOT2M()</b> - Dot 2" <b>#AE2R()</b> - Aera 2" Round Downlight <b>NA</b> - None  <sup>41</sup> See page 3 for ordering details. • Only available with static white. • Only available with flush lens. • Not available with EMB.			

# CURVIA 3

## SHAPES

### PENDANT - RECESSED - SURFACE



## Module Code

- For a module, specify the options in the parentheses.
- The light source is static white.
- CRI of module matches specification of main fixture.
- Minimum 4' fixture and minimum 2' section per module. Consult factory for other configurations.

Example: 1DOT2M(4IN-FTMB-SDB-FTMB-20DEG-1100LM-27K)

MODULE <sup>1,2</sup>	HEIGHT	CYLINDER FINISH	BAFFLE	BAFFLE FINISH	BEAM ANGLE	LUMEN PACKAGE	COLOR TEMP.
<b>#DOT2M()</b> - Dot 2" <small><sup>1</sup>Specify quantity (#). <sup>2</sup>6" blank per module. Blank finish will match fixture finish.</small>	<b>4IN</b> - 4"	<b>FTMB</b> - Matte black <b>FTMW</b> - Matte white <b>CF#</b> - Custom finish, specify RAL #	<b>SDB</b> - Standard baffle <b>DCB</b> <sup>3</sup> - Decorative baffle <small><sup>3</sup>Recommended when a different finish is desired for the baffle.</small>	<b>FTMB</b> - Matte black <b>FTMW</b> - Matte white <b>CF#</b> - Custom finish, specify RAL #	<b>20DEG</b> - 20° Spot <b>35DEG</b> - 35° Narrow flood <b>50DEG</b> - 50° Wide flood	<b>1100LM</b> - 1100 lm, 15.9 W <b>1260LM</b> - 1260 lm, 17.8 W	<b>27K</b> - 2700K <b>30K</b> - 3000K <b>35K</b> - 3500K <b>40K</b> - 4000K

Example: 1AE2R(7W-10DEG-27K-SDL-FTMB)

MODULE <sup>1,2,3</sup>	WATTAGE	BEAM ANGLE	COLOR TEMP.	LENS AT BAFFLE	BAFFLE FINISH
<b>#AE2R()</b> - Aera 2" Round Downlight <small><sup>1</sup>Specify quantity (#). <sup>2</sup>6" blank per module. Blank finish will match fixture finish. <sup>3</sup>Module is trimless.</small>	<b>7W</b> - 7 W output, up to 714 lm <b>10W</b> - 10 W output, up to 961 lm	<b>10DEG</b> - 10° very narrow spot <b>15DEG</b> - 15° Narrow spot <b>25DEG</b> - 25° Spot <b>35DEG</b> - 35° Narrow flood <b>50DEG</b> - 50° Wide flood	<b>27K</b> - 2700K <b>30K</b> - 3000K <b>35K</b> - 3500K <b>40K</b> - 4000K <b>50K</b> - 5000K	<b>SDL</b> - Soft diffused lens, solite <b>FDL</b> - Frosted diffused lens <b>CL</b> - Clear lens	<b>FTMB</b> - Matte black <b>FTMW</b> - Matte white <b>FSPC</b> - Satin silver <b>FSSPC</b> - Matte silver <b>FCHP</b> - Champagne <b>FDBZ</b> - Dark bronze <b>CF#</b> - Custom finish, specify RAL#

## Pendant Mounting Code

### Aircraft Cable

#### Standard

##### ACS - Aircraft cable, standard

- Ø 5" for power canopy
- Ø 3" for non-power canopy
- Canopies are black for black fixtures, and white for all other fixture finishes
- Power cord is black for black fixtures, and white for all other fixture finishes
- Aircraft cable length is 36"

#### Custom

Example: ACC(3NPC-72IN-W-PCB-NA)

##### ACC() - Aircraft cable, custom

NON-POWER CANOPY SIZE	AIRCRAFT CABLE LENGTH	CANOPY FINISH	POWER CORD COLOR	OPTION
<b>3NPC</b> - Ø 3" non-power canopy <b>5NPC</b> - Ø 5" non-power canopy	<b>36IN</b> - 36" <b>72IN</b> - 72" <b>120IN</b> - 120" <b>#IN</b> <sup>1</sup> - Other lengths, specify in inches <small><sup>1</sup>Maximum length is 288". For longer lengths, please consult factory.</small>	<b>W</b> - Matte white <b>AL</b> - Aluminum <b>B</b> - Matte black <b>CF#</b> - Custom finish, specify RAL#	<b>PCW</b> - White <b>PCB</b> - Black	<b>SEM</b> <sup>2</sup> - Seismic mounting <b>SLC</b> <sup>2</sup> - Sloped ceiling for aircraft cable <b>NA</b> - None <small><sup>2</sup>Not available with the Ø 3" non-power canopy size.</small>

### Stem

#### Standard

##### STS - Stem, standard

- Ø 5" for power canopy
- Ø 5" for non-power canopy
- Canopies are black for black fixtures, and white for all other fixture finishes
- Stem finish is the same color as fixture
- Stem length is 18"
- Stem is not field adjustable

#### Custom

Example: STC(5NPC-36IN-W-STW-SLS)

##### STC() - Stem, custom

NON-POWER CANOPY SIZE	STEM LENGTH	CANOPY FINISH	STEM COLOR	OPTION
<b>5NPC</b> - Ø 5" non-power canopy	<b>18IN</b> - 18" <b>36IN</b> - 36" <b>#IN</b> <sup>3</sup> - Specify length in inches <small><sup>3</sup>Minimum length is 6". Maximum length is 72". Stem is not field adjustable.</small>	<b>W</b> - Matte white <b>AL</b> - Aluminum <b>B</b> - Matte black <b>CF#</b> - Custom finish, specify RAL#	<b>STW</b> - Matte white <b>STAL</b> - Aluminum <b>STB</b> - Matte black <b>STCF#</b> - Custom finish, specify RAL#	<b>SLS</b> - Sloped ceiling for stem <b>NA</b> - None

# CURVIA 3

## SHAPES

### PENDANT - RECESSED - SURFACE

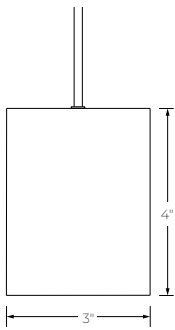


## Dimensions

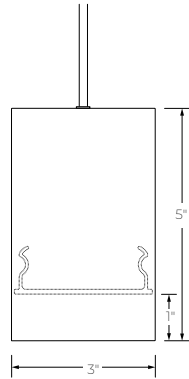
### PENDANT

#### DIRECT/INDIRECT

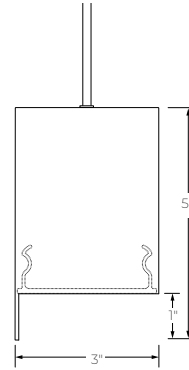
Flush Lens



Regressed Lens

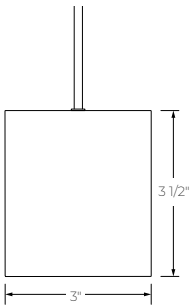


Semi-regressed Lens

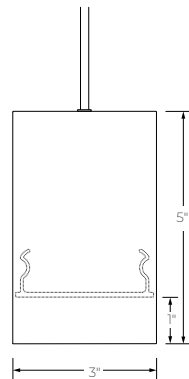


#### DIRECT

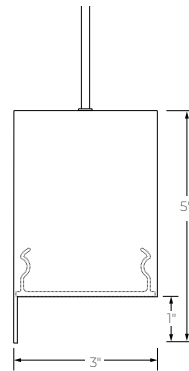
Flush Lens



Regressed Lens

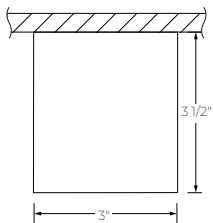


Semi-regressed Lens

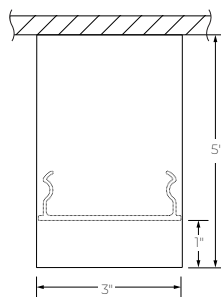


#### SURFACE

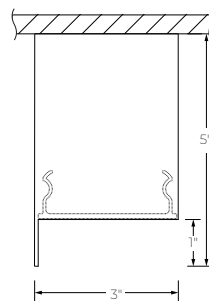
Flush Lens



Regressed Lens



Semi-regressed Lens



# CURVIA 3

## SHAPES

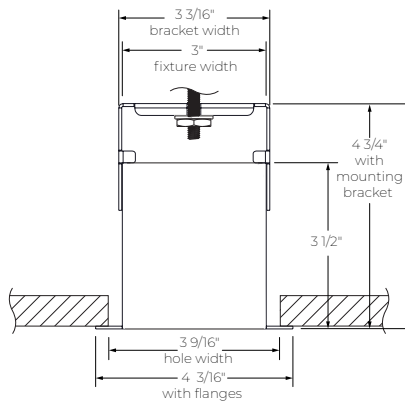
### PENDANT - RECESSED - SURFACE



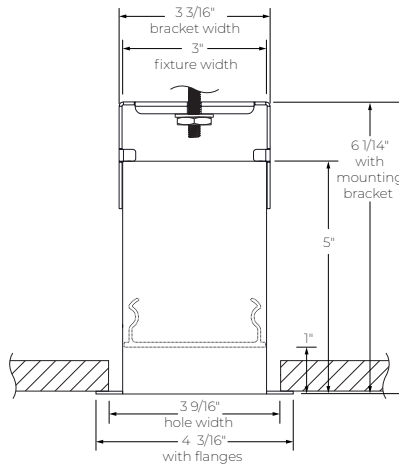
#### RECESSED

#### DTR - Trim

Flush Lens

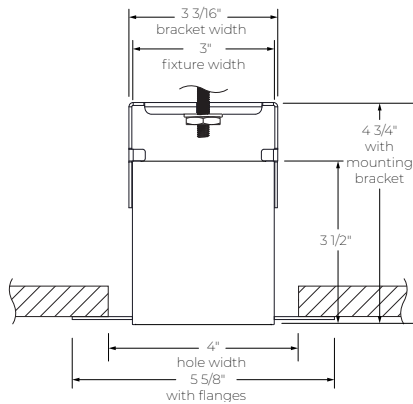


Regressed Lens

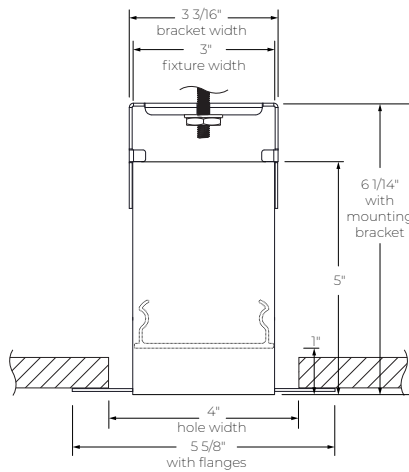


#### DMF - Drywall mud flange

Flush Lens



Regressed Lens



# CURVIA 3

## SHAPES

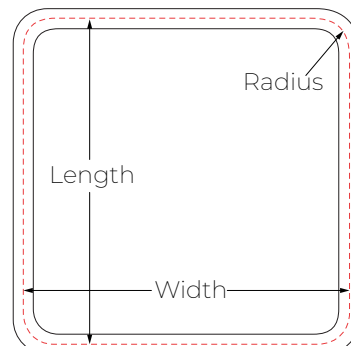
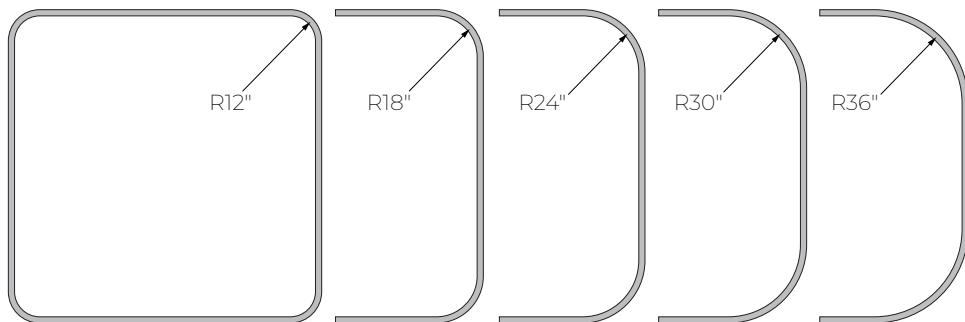
### PENDANT - RECESSED - SURFACE



## Shapes

### SQUARE SHAPE

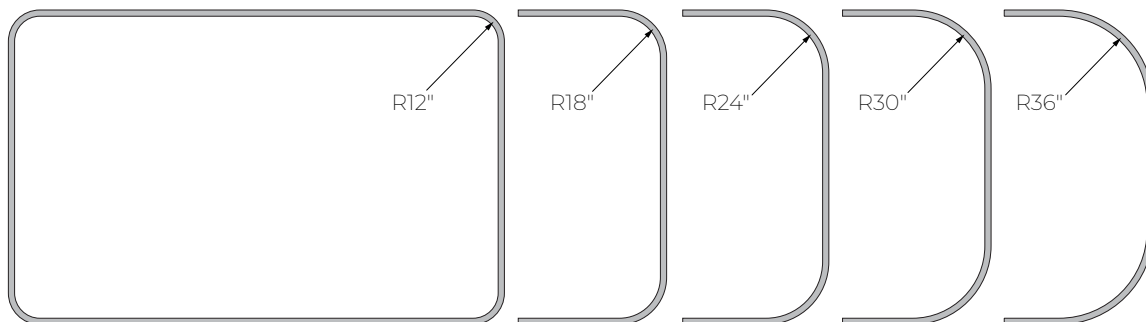
RADIUS: 12", 18", 24", 30", 36".



**Note:** The length, width and radius are measured from the center of the fixture.

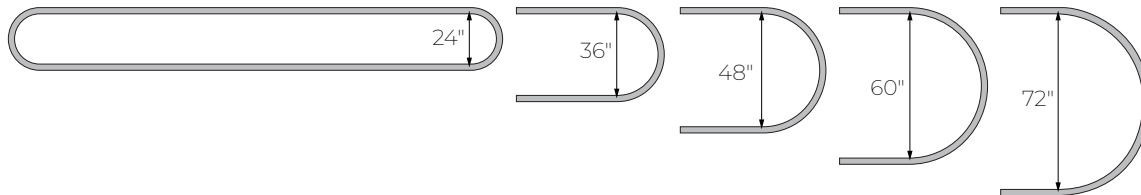
### RECTANGLE SHAPE

RADIUS: 12", 18", 24", 30", 36".



### CAPSULE SHAPE

WIDTH: 24", 36", 48", 60", 72".



Configuration diagrams are not to scale. For visualization purposes only.

# CURVIA 3

## SHAPES

### PENDANT - RECESSED - SURFACE

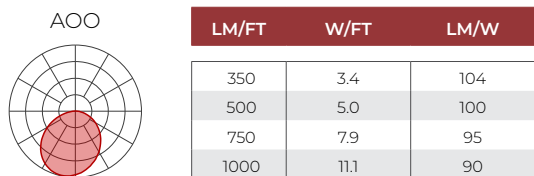
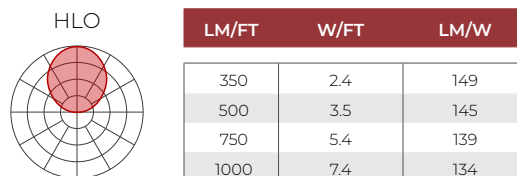
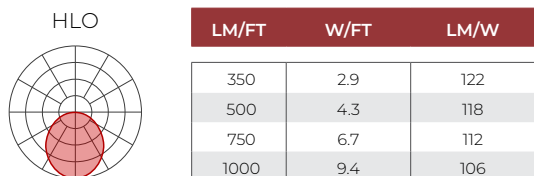


## Photometrics

Values calculated based on Curvia 3 Ring Ø 2' at 3500K for all optics.

### DIRECT OPTICS

### INDIRECT OPTIC



### MULTIPLIER TABLES

Use these tables to get results for different color temperatures and lens positions for all photometric tables.

#### Multiplier - CCT

CCT	WATTS		LPW
	80+ CRI / 90+ CRI	80+ CRI / 90+ CRI	80+ CRI / 90+ CRI
2700K	1.05		0.95
3000K	1.02		0.98
3500K	1.00		1.00
4000K	1.00		1.00
5000K	0.96		1.04

#### Multiplier - Lens position

DIRECT LENS	WATTS	LPW
Flush lens	1.00	1.00
Regressed lens	0.98	1.02
Semi-regressed lens	0.98	1.02

### DIRECT/INDIRECT - LPW CALCULATION

For Direct/Indirect performance values, follow the formula.

$$\left( \frac{\text{DIRECT LM/FT} + \text{INDIRECT LM/FT}}{\text{DIRECT W/FT} + \text{INDIRECT W/FT}} \right) = \text{LPW}$$

# CURVIA 3

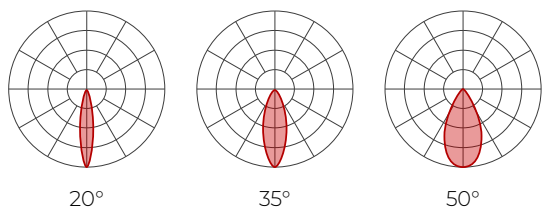
## SHAPES

### PENDANT - RECESSED - SURFACE



#### DOT 2" MODULE

Values calculated based on 3500K.



#### Delivered lumens (LM)

WATTAGE	LUMEN PACKAGE
15.9 W	1100
17.8 W	1260

#### Efficacy (LM/W)

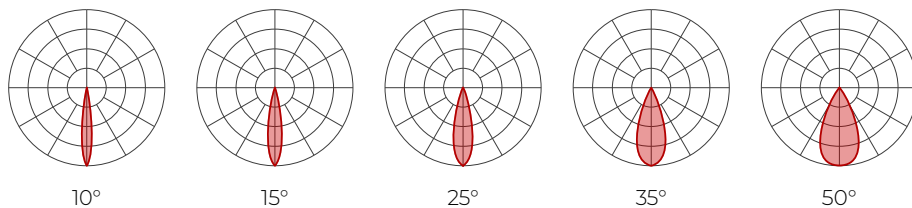
WATTAGE	EFFICACY
15.9 W	69
17.8 W	71

Please follow the multiplier table to ensure correct lumen value.

CCT	
2700K	0.94
3000K	0.96
3500K	1
4000K	1.02

#### AERA 2" MODULE

Values calculated based on 3500K and SDL lens option.



#### Delivered lumens (LM)

BEAM	80+ CRI					90+ CRI				
	10°	15°	25°	35°	50°	10°	15°	25°	35°	50°
7 W	589	654	714	705	676	550	611	667	659	632
10 W	792	880	961	949	910	740	822	898	887	850

Please follow the multiplier tables to ensure correct lumen value.

CCT	
2700K	0.94
3000K	0.98
3500K	1
4000K	1.05
5000K	1.05

#### Efficacy (LM/W)

BEAM	80+ CRI					90+ CRI				
	10°	15°	25°	35°	50°	10°	15°	25°	35°	50°
7 W	84	93	102	101	97	79	87	95	94	90
10 W	79	88	96	95	91	74	82	90	89	85

LENS AT BAFFLE	
SDL - Soft diffused lens, Solite	1
FDL - Frosted lens	0.8
CL - Clear lens	1.1

# CURVIA 3

## SHAPES

### PENDANT - RECESSED - SURFACE



## Technical Specifications

### OPTICS

#### High-Efficiency Lambertian Optic (HLO)

Lumenwerx's High-Efficiency Lambertian Optic is engineered with reflective sidewalls that distribute LED output across acrylic shielding. To negotiate the curves of Lumenwerx rounded fixtures, the HLO is equipped with proprietary SupremeGrip™ technology, which keeps the optic securely in place.

#### Asymmetric Opal Optic (AOO)

The Asymmetric Opal Optic (AOO) provides targeted illumination while diffusing light evenly, minimizing glare and spill. Its design creates a soft, inviting ambiance, making it ideal for architectural and accent lighting in modern spaces.

### LIGHT SOURCE

#### Static white

Custom array of mid-flux LEDs are cartridge-mounted with quick-connect wiring to facilitate service and thermal management. Available in 2700K, 3000K, 3500K, 4000K, and 5000K with a minimum 80+ CRI and an option for 90+ CRI with elevated R9 value. Color consistency maintained to within 3 SDCM. LEDs operate at reduced drive current to optimize efficacy and lumen maintenance. All LEDs have been tested in accordance with IESNA LM-80-08 and the results have shown L80 lumen maintenance greater than 60,000 hours. Absolute product photometry is measured and presented in accordance with IESNA LM-79, unless otherwise indicated.

#### Full spectrum static white

The full spectrum LED option offers improved color particularly in the cyan region that is beneficial in both healthcare and circadian lighting strategies. The cyan region in full spectrum LED is richer at the 480 nm range.

### ELECTRICAL

Factory-set, adjustable output current LED driver with universal (120-277 VAC) input. Dimmable from 100% to 1% with 0-10V dimming control. Rated life (90% survivorship) of 50,000 hours at 50°C max. ambient (and 70°C max. case) temperature. At maximum driver load: Efficiency > 84%, PF > 0.9, THD < 20%. Other specifiable options include Lutron Hi-Lume 1% Eco, eldoLED 1% ECOdrive 0-10V, eldoLED 0.1% SOLOdrive 0-10V, ELV, TRIAC, and DALI protocol drivers. All of our standard 0-10V drivers are NEMA 410 compliant. ELV and TRIAC dimming performance (including minimum dimming percentage) subject to dimmer selection.

### PoE

Depending on the PoE manufacturer selected, Lumenwerx will install the node in factory as either integral to the luminaire or as a remote module. Factory programming of the PoE node may or may not enable the following functionalities: lumen package, DUO (tunable white), QUADRO (RGBW), emergency battery backup, and sensor integration. These must be addressed and evaluated on a case-by-case basis.

### Battery

Factory installed long life, high temperature, maintenance-free Lithium-Ion battery pack with self-test functionality, test switch and charge indicator. Minimum of 90 minutes operation, up to 1000 lumens per 4' (25°C) emergency lighting output and recharge time of 24 hours.

### MOUNTING

**Pendant:** Pendant fixtures can be mounted either with aircraft cable or with stem.

**Recessed:** Recessed fixtures can be mounted in drywall ceilings with trim or mud flange options.

**Surface:** Surface fixtures can be mounted directly to drywall and hard surface ceilings, hardware supplied by others. A minimum of 6" from the vertical wall is required.

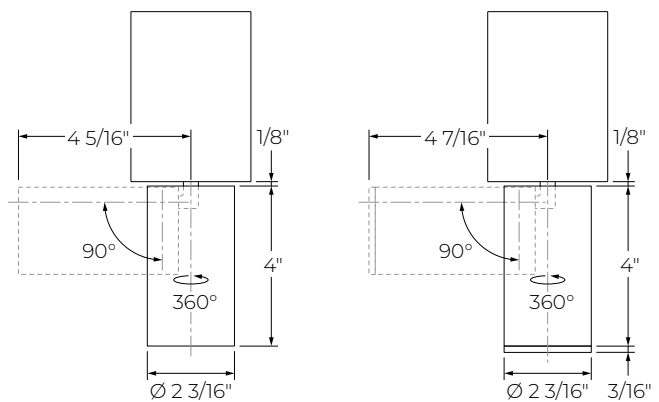
### FINISH

**Interior:** 95% reflective matte powder coated white paint.

**Exterior:** Matte white, matte black or aluminum powder coating. Custom finishes are also available.

### DOT MODULE

Dot is a round spotlight that rotates 360° and tilts 90°, available in three beam angles of 20°, 35°, and 50°. LED light source CCT options are 2700K, 3000K, 3500K, and 4000K available in either 80+ CRI or 90+ CRI. Offered in 4" height with two baffle options: standard and decorative. Dot is available in a white, black, or custom finish.



Dot 2" - Standard baffle

Dot 2" - Decorative baffle

# CURVIA 3

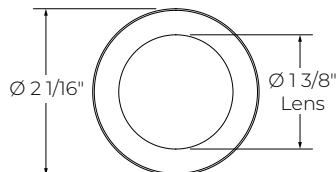
## SHAPES

### PENDANT - RECESSED - SURFACE



#### AERA MODULE

Aera Downlight is available in five beam angles of 10°, 15°, 25°, 35°, and 50°. LED light source CCT options are 2700K, 3000K, 3500K, 4000K, and 5000K available in either 80+ CRI or 90+ CRI. Aera Downlight is available in a wide range of colors.



Aera 2"

#### CONSTRUCTION

**Housing:** Extruded aluminum and aluminum sheet, up to 90% recycled content

**Reflectors:** Aluminum

**Lens:** Acrylic

**Hanger:** Chromed griplock securely attached in end caps and/or joiners with stainless steel hardware

**Aircraft cable suspension:**  $\varnothing$  1/16" stainless steel aircraft cable

**Stem:**  $\varnothing$  1/2" threaded steel tube

#### WEIGHT

**Pendant Direct:** 2.25 lb/ft - 1.02 kg/ft

**Pendant Direct/Indirect:** 2.8 lb/ft - 1.27 kg/ft

**Recessed:** 2.8 lb/ft - 1.27 kg/ft

**Surface:** 2.25 lb/ft - 1.02 kg/ft

#### CERTIFICATIONS

**ETL:** Rated for indoor dry/damp locations. Conforms to UL Standard 1598 and certified to CAN/CSA Standard C22.2 No. 250.0.

**IC rated:** Suitable for direct contact with insulation. For Recessed mounting only.

**Declare:** [LBC Red List Approved](#)

#### WARRANTY

Lumenwerx provides a five-year limited warranty on electrical and mechanical performance of the luminaires, including the LED boards, drivers, and auxiliary electronics. Lumenwerx will repair or replace defective luminaires or components at our discretion, provided they have been installed and operated in accordance with our specifications. Other limitations apply, please refer to the full warranty on our website.