

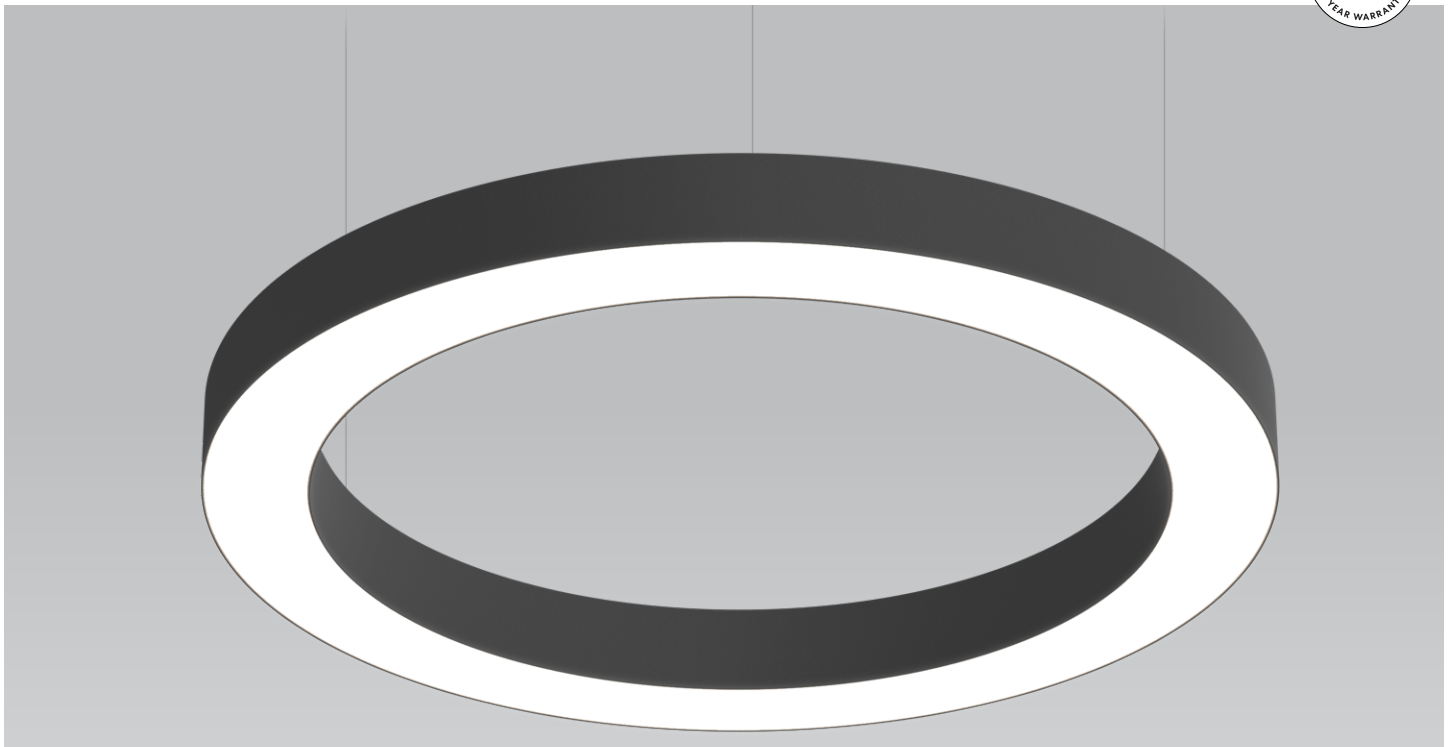
# CURVIA 4

RING

PENDANT - RECESSED - SURFACE

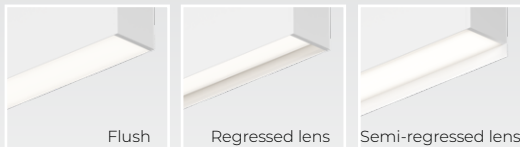


Declare.

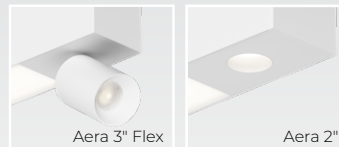


Our extensive Curvia family illuminates with elegant curvilinear shapes and patterns, enhancing spaces with a soft touch and a graceful sense of movement. Available in various mounting options and sizes, Curvia luminaires feature a unique, sophisticated aesthetic that complements their technical prowess in delivering precise, powerful, and comfortable lighting solutions.

### Lens Positions



### Module Options



**SENSORS**  
For latest information on sensors, click [here](#).



Curvia Additions Brochure

### Curvia Family (Refer to other spec sheets)

Curvia Mini	Curvia Slim	Curvia Slim Seal	Curvia Prism	Curvia	Curvia XYZ	Curvia Horizon	Curvia Perimeter	Curvia Seal Perimeter	Curvia Seal	Curvia Acoustix
1"	1", 2"	1", 2"	2"	2", 3", 4"	2", 3"	2", 3"	2", 3", 4", 5"	2", 3", 4"	2", 3", 4"	2"
Ring	Ring Shapes Pattern	Ring Shapes Pattern	Ring Shapes Pattern	Ring Shapes Pattern	Pattern	Ring Shapes	Pattern	Pattern	Ring Shapes Pattern	Ring Shapes Pattern

3737 Cote Vertu St-Laurent, Quebec, Canada H4R 2C9  
T (514) 225-4304 F (514) 931-4862  
[www.lumenwerx.com](http://www.lumenwerx.com)



Lumenwerx reserves the right to modify product specifications without notification.  
© Lumenwerx, ULC. All rights reserved.  
CURVIA4-RING-SPEC-REV6 March 24, 2026

# CURVIA 4

## RING

### PENDANT - RECESSED - SURFACE



Project: \_\_\_\_\_

Type: \_\_\_\_\_

## Order Guide

LUMINAIRE ID	DISTRIBUTION	SIZE <sup>2,3</sup>	DIRECT OPTIC	LENS POSITION	INDIRECT OPTIC Specify NA for Direct fixture
<b>CURV4RIP</b> - Curvia 4" Ring Pendant <b>CURV4RIR</b> - Curvia 4" Ring Recessed <b>CURV4RIS</b> - Curvia 4" Ring Surface	<b>DI</b> <sup>1</sup> - Direct/Indirect <b>D</b> - Direct <sup>1</sup> Only available for pendant mounting.	<b>2FT</b> - Ø 2' <b>3FT</b> - Ø 3' <b>4FT</b> - Ø 4' <b>5FT</b> - Ø 5' <b>6FT</b> - Ø 6' <sup>2</sup> Dimensions are referenced to fixture centerline. See page 5 for actual dimensions. <sup>3</sup> Ø 8' and over will be shipped in separate pieces. <sup>4</sup> Minimum Ø 2'.	<b>8FT</b> - Ø 8' <b>10FT</b> - Ø 10' <b>12FT</b> - Ø 12' <b>#FT</b> <sup>4</sup> - Custom, specify diameter (#) <sup>5</sup> Direction of light must be indicated on RCP/lighting plans. <sup>6</sup> Specify when only modules are required.	<b>HLO</b> - High-Efficiency Lambertian Optic <b>AOO</b> <sup>5</sup> - Asymmetric Opal Optic <b>BLA</b> <sup>6</sup> - Blank <sup>7</sup> Only available with HLO. <sup>8</sup> Not available with recessed mounting.	<b>RG</b> <sup>7</sup> - Regressed <b>SRG</b> <sup>7,8</sup> - Semi-regressed <b>HLO</b> - High-Efficiency Lambertian Optic <b>NA</b> - Not applicable

LIGHT SOURCE <sup>9</sup>	CRI	DIRECT LUMEN PACKAGE <sup>12</sup>	INDIRECT LUMEN PACKAGE <sup>14</sup> Specify NA for Direct fixture	COLOR TEMPERATURE
<b>SW</b> - Static white <b>FS</b> - Full spectrum static white <sup>9</sup> Chromawerx SOLA, DUO, and QUADRO also available. Consult factory.	<b>80CRI</b> <sup>10</sup> - 80+ CRI <b>90CRI</b> <sup>10</sup> - 90+ CRI <b>95CRI</b> <sup>11</sup> - 95+ CRI <sup>10</sup> Not available with full spectrum. <sup>11</sup> Not available with static white.	<b>350LMF</b> - Eco low output 350 lm/ft <b>500LMF</b> - Low output 500 lm/ft <b>750LMF</b> - Medium output 750 lm/ft <b>1000LMF</b> <sup>13</sup> - High output 1000 lm/ft <b>1200LMF</b> <sup>13</sup> - Ultra high output 1200 lm/ft <b>NA</b> - Not applicable <sup>12</sup> To calculate the total lumens, multiply the lumen package (lm/ft) by the circumference of the ring (diameter x π). <sup>13</sup> Not available with full spectrum.	<b>350LMF</b> - Eco low output 350 lm/ft <b>500LMF</b> - Low output 500 lm/ft <b>750LMF</b> - Medium output 750 lm/ft <b>1000LMF</b> <sup>15</sup> - High output 1000 lm/ft <b>NA</b> - Not applicable <sup>14</sup> To calculate the total lumens, multiply the lumen package (lm/ft) by the circumference of the ring (diameter x π). <sup>15</sup> Not available with full spectrum.	<b>27K</b> - 2700K <b>30K</b> - 3000K <b>35K</b> - 3500K <b>40K</b> - 4000K <b>50K</b> - 5000K

VOLTAGE	DRIVER <sup>17</sup>	ELECTRICAL
<b>120V</b> - 120V <b>277V</b> - 277V <b>UNV</b> - 120V-277V <b>347V</b> <sup>16</sup> - 347V <sup>16</sup> Only available with D1 driver. Minimum Ø 3' fixture for integral drivers.	<b>DI</b> - 1% 0-10V <b>ELV</b> <sup>18,19</sup> - ELV 120V <b>TRI</b> <sup>18,19</sup> - TRIAC 120V <b>DA</b> <sup>19,20</sup> - DALI <b>LDE1</b> <sup>19,20</sup> - Lutron Hi-Lume 1% Eco <b>ELD1</b> <sup>19</sup> - eldoLED 1% ECOdrive 0-10V <b>ELDO</b> <sup>19</sup> - eldoLED 0.1% SOLOdrive 0-10V <sup>17</sup> Integral or remote subject to factory evaluation. Code will be updated with prefix "R" if factory determines driver to be remote. <sup>18</sup> Only available with 120V. <sup>19</sup> Minimum Ø 3' fixture for integral drivers. <sup>20</sup> On-site commissioning is required.	<b>1C</b> - 1 circuit <b>2C</b> <sup>21</sup> - 2 circuits <b>EC</b> - Emergency-powered fixture <b>NL</b> - Night light fixture <b>DL</b> - Daylight fixture <b>GTD</b> <sup>22,23</sup> - Generator transfer device fixture <sup>21</sup> Only available for Direct/Indirect. Separate direct and indirect circuits. <sup>22</sup> Integral or remote subject to factory evaluation. GTD/EMB must be housed with the driver. <sup>23</sup> Not available with 347V. <sup>24</sup> Minimum Ø 4' fixture for integral battery. The battery powers the direct LEDs. <sup>25</sup> Not available with EC or GTD. To specify, add +EMB() to the selected electrical option and specify the lighting configuration desired, e.g. 1C+EMB(FL). <sup>26</sup> Only available with Ø 2' to Ø 4'. <sup>27</sup> Only available with Ø 5' and bigger. For Ø 5' to Ø 6', fixture will be half lit. For Ø 7' to Ø 9', fixture will be third lit. For Ø 10' to Ø 12', fixture will be quarter lit.

MOUNTING <sup>28</sup>	FINISH	OPTIONS <sup>31</sup>	MODULE (optional) <sup>36</sup>
<b>PENDANT</b> <sup>29</sup> <u>Single canopy</u> <sup>30,31</sup> <b>SRACS</b> - Single round canopy, aircraft cable, standard <b>SRACC()</b> - Single round canopy, aircraft cable, custom <u>Multiple canopies</u> <sup>32</sup> <b>ACS</b> - Aircraft cable, standard <b>STS</b> - Stem, standard <b>ACC()</b> - Aircraft cable, custom <b>STC()</b> - Stem, custom <sup>28</sup> The mounting options selected must reflect the luminaire ID. <sup>29</sup> Standard canopies are black for black fixtures, and white for all other finishes. See page 4 for full details on standard and custom options. <sup>30</sup> Only available up to Ø 4'. <sup>31</sup> The minimum required mounting heights (distance from ceiling to top of fixture in inches) are: Ø 2' - min 15"   Ø 3' - min. 22"   Ø 4' - min. 29". <sup>32</sup> 4 Canopies or more provided.	<b>RECESSED</b> <b>DTR</b> - Trim <b>DMF</b> - Drywall mud flange <b>SURFACE</b> <b>DRC</b> - Drywall ceiling	<b>W</b> - Matte white <b>AL</b> - Aluminum <b>B</b> - Matte black <b>CF#</b> - Custom finish, specify RAL# <b>FUI20</b> - Fuse 120V <b>FUI277</b> - Fuse 277V <b>CTB9</b> <sup>34</sup> - T-bar caddy clip, 9/16" <b>CTB15</b> <sup>34</sup> - T-bar caddy clip, 15/16" <b>CTG9</b> <sup>34</sup> - Tegular caddy clip, 9/16" <b>CTG15</b> <sup>34</sup> - Tegular caddy clip, 15/16" <b>CST</b> <sup>34</sup> - Screw slot caddy clip <b>FWC</b> <sup>35</sup> - Flexible whip cable (6' std) <b>CP</b> <sup>35</sup> - Chicago Plenum <b>NA</b> - None <sup>33</sup> Separate codes with a "+" if more than one is specified. <sup>34</sup> Only available with pendant mounting aircraft cable option. <sup>35</sup> Only available with recessed mounting.	<b>#AE3FCXY()</b> <sup>37</sup> - Aera 3" Flex Cylinder <b>#AE2R()</b> - Aera 2" Round Downlight <b>NA</b> - None <sup>36</sup> See page 3 for ordering details. • Only available with static white. • Only available with flush lens. • Not available with EMB. <sup>37</sup> Only available with stem when specified with pendant mounting.



# CURVIA 4

## RING

PENDANT - RECESSED - SURFACE



Project: \_\_\_\_\_

Type: \_\_\_\_\_

### Module Code

- For a module, specify the options in the parentheses.
- The light source is static white.
- CRI of module matches specification of main fixture.
- Minimum 4' fixture and minimum 2' section per module. Consult factory for other configurations.

Example: 1AE3FXCY(4.5IN-FTMB-BVL-FTMB-SDL-15DEG-27K-NA-10W)

MODULE <sup>1,2</sup>	HEIGHT	CYLINDER FINISH	BAFFLE	BAFFLE FINISH	LENS AT BAFFLE	BEAM ANGLE	COLOR TEMP.	ACCESSORIES AT LIGHT ELEMENT <sup>4,5</sup>	WATTAGE
#AE3FXCY() - Aera 3" Flex Cylinder  <sup>1</sup> Specify quantity (#). <sup>2</sup> 6" blank per module. Blank finish will match fixture finish.	4.5IN - 4.5"	FTMB - Matte black FTMW - Matte white FCHP - Champagne FDBZ - Dark bronze CF# - Custom finish, specify RAL #	BVL - Bevel PHL - Pinhole BVLD - Decorative bevel	FTMB - Matte black FTMW - Matte white FSSPC - Satin silver FSSPC - Matte silver FCHP - Champagne FDBZ - Dark bronze CF# - Custom finish, specify RAL #	SDL <sup>3</sup> - Soft diffused lens, Solite FDL <sup>3</sup> - Frosted diffused lens CL <sup>3</sup> - Clear lens NOL - No lens  <sup>3</sup> Not available with LSDL/LFDL accessories.	15DEG - 15° Narrow spot 25DEG - 25° Spot 35DEG - 35° Narrow flood 50DEG - 50° Wide flood	27K - 2700K 30K - 3000K 35K - 3500K 40K - 4000K 50K - 5000K	LSDL - Soft diffused lens, Solite LFDL - Frosted diffused lens LS - Linear spread HEX - Hex louver NA - None  <sup>4</sup> Choose up to 2 options. Separate codes with a "+" if more than one is specified, e.g. LSDL+LS. <sup>5</sup> LSDL and LFDL cannot be combined. LS and HEX cannot be combined.	10W - 10 W output, up to 1132 lm 14W - 14 W output, up to 1545 lm

Example: 1AE2R(7W-10DEG-27K-SDL-FTMB)

MODULE <sup>1,2,3</sup>	WATTAGE	BEAM ANGLE	COLOR TEMP.	LENS AT BAFFLE	BAFFLE FINISH
#AE2R() - Aera 2" Round Downlight  <sup>1</sup> Specify quantity (#). <sup>2</sup> 6" blank per module. Blank finish will match fixture finish. <sup>3</sup> Module is trimless.	7W - 7 W output, up to 714 lm 10W - 10 W output, up to 961 lm	10DEG - 10° very narrow spot 15DEG - 15° Narrow spot 25DEG - 25° Spot 35DEG - 35° Narrow flood 50DEG - 50° Wide flood	27K - 2700K 30K - 3000K 35K - 3500K 40K - 4000K 50K - 5000K	SDL - Soft diffused lens, solite FDL - Frosted diffused lens CL - Clear lens	FTMB - Matte black FTMW - Matte white FSSPC - Satin silver FSSPC - Matte silver FCHP - Champagne FDBZ - Dark bronze CF# - Custom finish, specify RAL#

# CURVIA 4

## RING

### PENDANT - RECESSED - SURFACE



## Pendant Mounting Code

### Aircraft Cable - single canopy

#### Standard

**SRACS** - Single round canopy, aircraft cable, standard

- Ø 5" round single canopy with 4 cables
- Canopy is black for black fixtures, and white for all other fixture finishes
- Power cord is black for black fixtures, and white for all other fixture finishes
- Aircraft cable length is 48"

#### Custom

Example: SRACC(5PC-72IN-W-PCB)

**SRACC ( )** - Single round canopy, aircraft cable, custom

CANOPY SIZE	AIRCRAFT CABLE LENGTH	CANOPY FINISH	POWER CORD COLOR
<b>5PC</b> - Ø 5" power canopy	<b>48IN</b> - 48" <b>72IN</b> - 72" <b>120IN</b> - 120" <b>#IN</b> <sup>1</sup> - Other lengths, specify in inches	<b>W</b> - Matte white <b>AL</b> - Aluminum <b>B</b> - Matte black <b>CF#</b> - Custom finish, specify RAL#	<b>PCW</b> - White <b>PCB</b> - Black

<sup>1</sup>Maximum length is 288". For longer lengths, please consult factory.

### Aircraft Cable - multiple canopies

#### Standard

**ACS** - Aircraft cable, standard

- Ø 5" for power canopy
- Ø 3" for non-power canopy
- Canopies are black for black fixtures, and white for all other fixture finishes
- Power cord is black for black fixtures, and white for all other fixture finishes
- Aircraft cable length is 36"

#### Custom

Example: ACC(3NPC-72IN-W-PCB-NA)

**ACC ( )** - Aircraft cable, custom

NON-POWER CANOPY SIZE	AIRCRAFT CABLE LENGTH	CANOPY FINISH	POWER CORD COLOR	OPTION
<b>3NPC</b> - Ø 3" non-power canopy <b>5NPC</b> - Ø 5" non-power canopy	<b>36IN</b> - 36" <b>72IN</b> - 72" <b>120IN</b> - 120" <b>#IN</b> <sup>1</sup> - Other lengths, specify in inches	<b>W</b> - Matte white <b>AL</b> - Aluminum <b>B</b> - Matte black <b>CF#</b> - Custom finish, specify RAL#	<b>PCW</b> - White <b>PCB</b> - Black	<b>SEM</b> <sup>2</sup> - Seismic mounting <b>SLC</b> <sup>2</sup> - Sloped ceiling for aircraft cable <b>NA</b> - None

<sup>1</sup>Maximum length is 288". For longer lengths, please consult factory.

<sup>2</sup>Not available with the Ø 3" non-power canopy size.

### Stem

#### Standard

**STS** - Stem, standard

- Ø 5" for power canopy
- Ø 5" for non-power canopy
- Canopies are black for black fixtures, and white for all other fixture finishes
- Stem finish is the same color as fixture
- Stem length is 18"
- Stem is not field adjustable

#### Custom

Example: STC(5NPC-36IN-W-STW-SLS)

**STC ( )** - Stem, custom

NON-POWER CANOPY SIZE	STEM LENGTH	CANOPY FINISH	STEM COLOR	OPTION
<b>5NPC</b> - Ø 5" non-power canopy	<b>18IN</b> - 18" <b>36IN</b> - 36" <b>#IN</b> <sup>1</sup> - Specify length in inches	<b>W</b> - Matte white <b>AL</b> - Aluminum <b>B</b> - Matte black <b>CF#</b> - Custom finish, specify RAL#	<b>STW</b> - Matte white <b>STAL</b> - Aluminum <b>STB</b> - Matte black <b>STCF#</b> - Custom finish, specify RAL#	<b>SLS</b> - Sloped ceiling for stem <b>NA</b> - None

<sup>1</sup>Minimum length is 6". Maximum length is 72". Stem is not field adjustable.

# CURVIA 4

## RING

### PENDANT - RECESSED - SURFACE

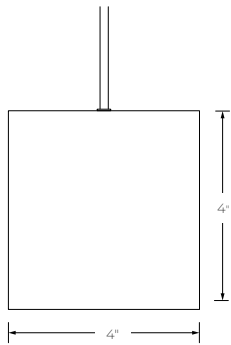


## Dimensions

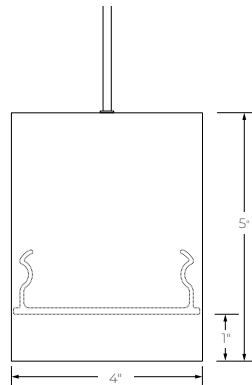
### PENDANT

#### DIRECT/INDIRECT

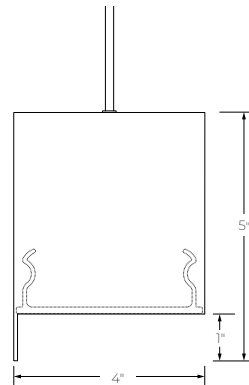
Flush Lens



Regressed Lens

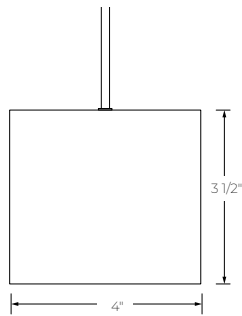


Semi-regressed Lens

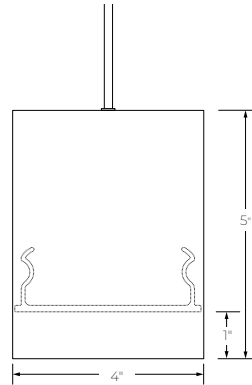


#### DIRECT

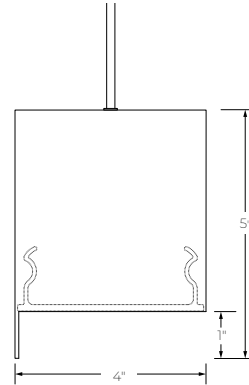
Flush Lens



Regressed Lens



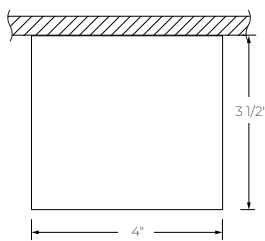
Semi-regressed Lens



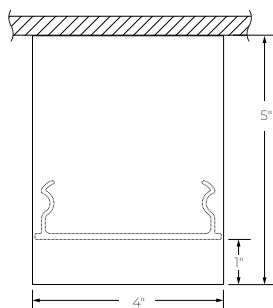
Nominal Diameter (FT)	Centerline Diameter (IN)
2	19
3	36
4	43
5	60
6	72
8	96
10	120
12	144
#FT	Centerline diameter

### SURFACE

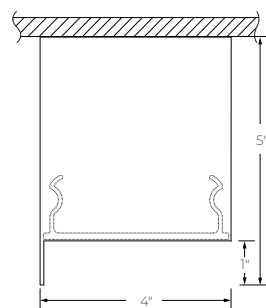
Flush Lens



Regressed Lens



Semi-regressed Lens



# CURVIA 4

## RING

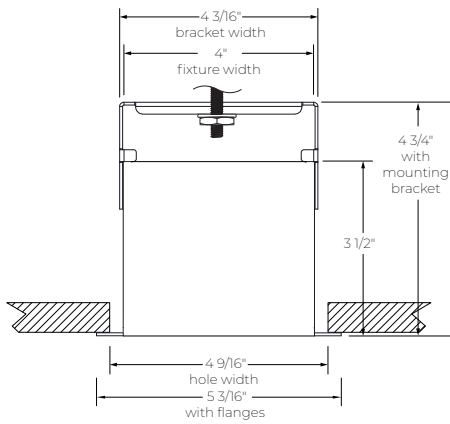
### PENDANT - RECESSED - SURFACE



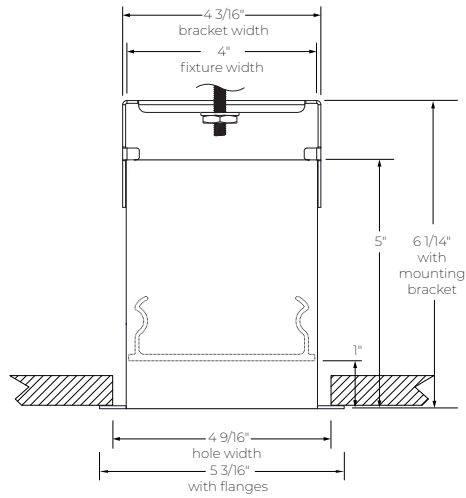
#### RECESSED

#### DTR - Trim

##### Flush Lens

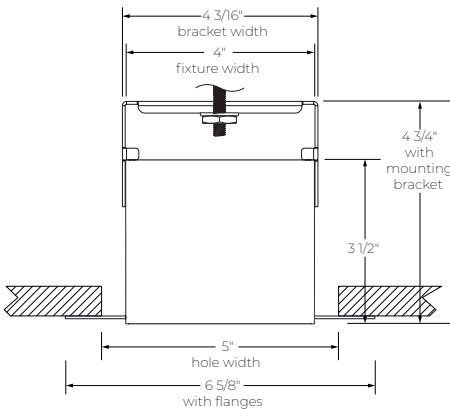


##### Regressed Lens

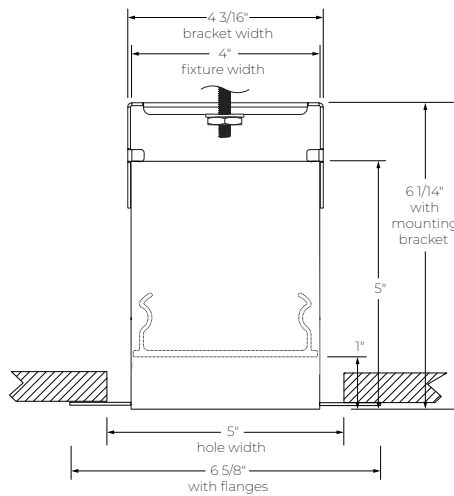


#### DMF - Drywall mud flange

##### Flush Lens



##### Regressed Lens



# CURVIA 4

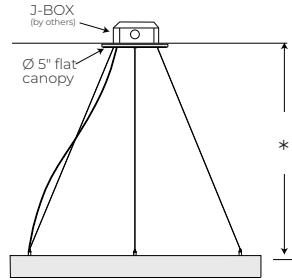
## RING

### PENDANT - RECESSED - SURFACE

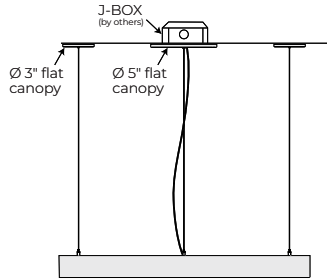


## Mounting Options

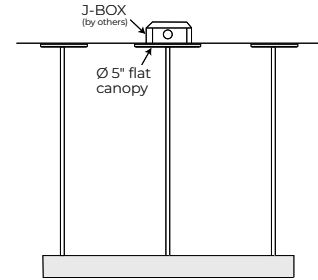
### PENDANT



POWER CORD + AIRCRAFT CABLE  
**SC - SINGLE CANOPY**



POWER CORD + AIRCRAFT CABLE  
**MC - MULTIPLE CANOPIES**



STEM  
**MC - MULTIPLE CANOPIES**

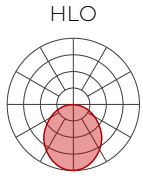
\* For single canopy option, the minimum required mounting heights: Ø 2' : min 15" | Ø 3' : min 22" | Ø 4' : min 29".

## Photometrics

Values calculated based on 4' straight segments at 3500K for all optics.

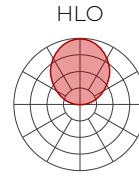
### DIRECT OPTICS

### INDIRECT OPTIC



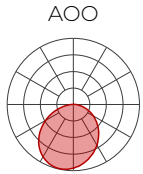
HLO

LM/FT	W/FT	LM/W
350	2.7	132
500	3.9	129
750	6	126
1000	8.2	122
1200	10	119



HLO

LM/FT	W/FT	LM/W
350	2.4	149
500	3.5	145
750	5.4	139
1000	7.4	134



AOO

LM/FT	W/FT	LM/W
350	3.1	112
500	4.6	110
750	7.0	107
1000	9.6	104
1200	11.9	101

### MULTIPLIER TABLES

Use these tables to get results for different color temperatures and lens positions for all photometric tables.

#### Multiplier - CCT

CCT	WATTS		LPW
	80+ CRI / 90+ CRI	80+ CRI / 90+ CRI	
2700K	1.05	0.95	
3000K	1.02	0.98	
3500K	1.00	1.00	
4000K	1.00	1.00	
5000K	0.96	1.04	

#### Multiplier - Lens position

DIRECT LENS	WATTS	LPW
Flush lens	1.00	1.00
Regressed lens	0.98	1.02
Semi-regressed lens	0.98	1.02

### DIRECT/INDIRECT - LPW CALCULATION

For Direct/Indirect performance values, follow the formula.

$$\left( \frac{\text{DIRECT LM/FT} + \text{INDIRECT LM/FT}}{\text{DIRECT W/FT} + \text{INDIRECT W/FT}} \right) = \text{LPW}$$

# CURVIA 4

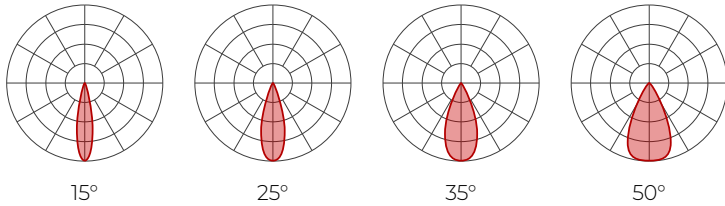
## RING

### PENDANT - RECESSED - SURFACE



#### AERA 3" FLEX MODULE

Values calculated based on 3500K and SDL lens option.



#### Delivered lumens (LM)

CRI	80+ CRI				90+ CRI			
	15°	25°	35°	50°	15°	25°	35°	50°
BEAM								
10 W	1056	1127	1132	1003	987	1053	1058	937
14 W	1441	1539	1545	1370	1347	1438	1444	1280

#### Efficacy (LM/W)

CRI	80+ CRI				90+ CRI			
	15°	25°	35°	50°	15°	25°	35°	50°
BEAM								
10 W	106	113	113	100	99	105	106	94
14 W	103	110	110	98	96	103	103	91

Please follow the multiplier tables to ensure correct lumen value.

CCT	
2700K	0.94
3000K	0.98
3500K	1
4000K	1.05
5000K	1.05

BAFFLE	
Bevel	1
Pinhole	0.92
Decorative bevel	1

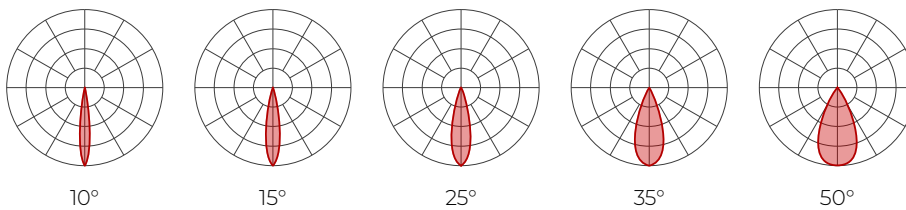
LENS AT BAFFLE *	
SDL - Soft diffused lens, Solite	1
FDL - Frosted diffused lens	0.8
CL - Clear lens	1.1
NOL - No lens	1.1

ACCESSORIES AT LIGHT ELEMENT *	
LSDL - Soft diffused lens, Solite	1
LFDL - Frosted diffused lens	0.8
LS - Linear spread	0.84
HEX - Hex louver	0.86

\* When more than one lens or accessory is specified, multiply together the value of each lens and/or accessory. e.g. NOL + LSDL + LS = 1.1 x 1 x 0.84 = 0.924

#### AERA 2" MODULE

Values calculated based on 3500K and SDL lens option.



#### Delivered lumens (LM)

CRI	80+ CRI					90+ CRI				
	10°	15°	25°	35°	50°	10°	15°	25°	35°	50°
BEAM										
7 W	589	654	714	705	676	550	611	667	659	632
10 W	792	880	961	949	910	740	822	898	887	850

#### Efficacy (LM/W)

CRI	80+ CRI					90+ CRI				
	10°	15°	25°	35°	50°	10°	15°	25°	35°	50°
BEAM										
7 W	84	93	102	101	97	79	87	95	94	90
10 W	79	88	96	95	91	74	82	90	89	85

Please follow the multiplier tables to ensure correct lumen value.

CCT	
2700K	0.94
3000K	0.98
3500K	1
4000K	1.05
5000K	1.05

LENS AT BAFFLE	
SDL - Soft diffused lens, Solite	1
FDL - Frosted lens	0.8
CL - Clear lens	1.1



# CURVIA 4

## RING

PENDANT - RECESSED - SURFACE



## Technical Specifications

### OPTICS

#### High-Efficiency Lambertian Optic (HLO)

Lumenwerx's High-Efficiency Lambertian Optic is engineered with reflective sidewalls that distribute LED output across acrylic shielding. To negotiate the curves of Lumenwerx rounded fixtures, the HLO is equipped with proprietary SupremeGrip™ technology, which keeps the optic securely in place.

#### Asymmetric Opal Optic (AOO)

The Asymmetric Opal Optic (AOO) provides targeted illumination while diffusing light evenly, minimizing glare and spill. Its design creates a soft, inviting ambiance, making it ideal for architectural and accent lighting in modern spaces.

### LIGHT SOURCE

#### Static white

Custom array of mid-flux LEDs are cartridge-mounted with quick-connect wiring to facilitate service and thermal management. Available in 2700K, 3000K, 3500K, 4000K, and 5000K with a minimum 80+ CRI and an option for 90+ CRI with elevated R9 value. Color consistency maintained to within 3 SDCM. LEDs operate at reduced drive current to optimize efficacy and lumen maintenance. All LEDs have been tested in accordance with IESNA LM-80-08 and the results have shown L80 lumen maintenance greater than 60,000 hours. Absolute product photometry is measured and presented in accordance with IESNA LM-79, unless otherwise indicated.

#### Full spectrum static white

The full spectrum LED option offers improved color particularly in the cyan region that is beneficial in both healthcare and circadian lighting strategies. The cyan region in full spectrum LED is richer at the 480 nm range.

### ELECTRICAL

Factory-set, adjustable output current LED driver with universal (120-277 VAC) input. Dimmable from 100% to 1% with 0-10V dimming control. Rated life (90% survivorship) of 50,000 hours at 50°C max. ambient (and 70°C max. case) temperature. At maximum driver load: Efficiency > 84%, PF > 0.9, THD < 20%. Other specifiable options include Lutron Hi-Lume 1% Eco, eldoLED 1% ECOdrive 0-10V, eldoLED 0.1% SOLOdrive 0-10V, ELV, TRIAC, and DALI protocol drivers. All of our standard 0-10V drivers are NEMA 410 compliant. ELV and TRIAC dimming performance (including minimum dimming percentage) subject to dimmer selection.

### PoE

Depending on the PoE manufacturer selected, Lumenwerx will install the node in factory as either integral to the luminaire or as a remote module. Factory programming of the PoE node may or may not enable the following functionalities: lumen package, DUO (tunable white), QUADRO (RGBW), emergency battery backup, and sensor integration. These must be addressed and evaluated on a case-by-case basis.

### Battery

Factory installed long life, high temperature, maintenance-free Lithium-Ion battery pack with self-test functionality, test switch and charge indicator. Minimum of 90 minutes operation, up to 1000 lumens per 4' (25°C) emergency lighting output and recharge time of 24 hours.

### MOUNTING

**Pendant:** Pendant fixtures can be mounted either with aircraft cable or with stem.

**Recessed:** Recessed fixtures can be mounted in drywall ceilings with trim or mud flange options.

**Surface:** Surface fixtures can be mounted directly to drywall and hard surface ceilings, hardware supplied by others. A minimum of 6" from the vertical wall is required.

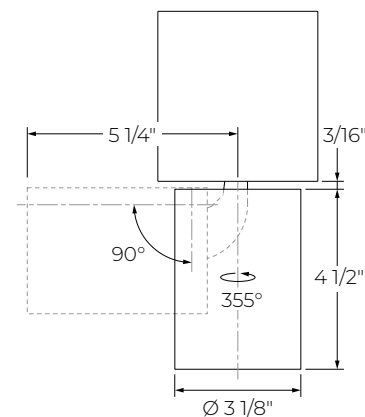
### FINISH

**Interior:** 95% reflective matte powder coated white paint.

**Exterior:** Matte white, matte black or aluminum powder coating. Custom finishes are also available.

### AERA FLEX MODULE

Aera Flex is a round spotlight that rotates 355° and tilts 90°, available in four beam angles of 15°, 25°, 35°, and 50°. LED light source CCT options are 2700K, 3000K, 3500K, 4000K, and 5000K available in either 80+ CRI or 90+ CRI. Offered in 4.5" height with three baffle options: bevel, pinhole, and decorative bevel. Aera Flex is available in a wide range of colors.



Aera 3" Flex

# CURVIA 4

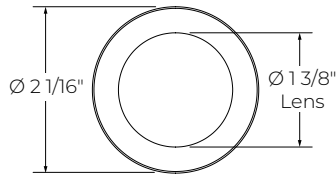
## RING

### PENDANT - RECESSED - SURFACE



#### AERA MODULE

Aera Downlight is available in five beam angles of 10°, 15°, 25°, 35°, and 50°. LED light source CCT options are 2700K, 3000K, 3500K, 4000K, and 5000K available in either 80+ CRI or 90+ CRI. Aera Downlight is available in a wide range of colors.



Aera 2"

#### CONSTRUCTION

**Housing:** Extruded aluminum and aluminum sheet, up to 90% recycled content

**Reflectors:** Aluminum

**Lens:** Acrylic

**Hanger:** Chromed griplock securely attached in end caps and/or joiners with stainless steel hardware

**Aircraft cable suspension:**  $\varnothing$  1/16" stainless steel aircraft cable

**Stem:**  $\varnothing$  1/2" threaded steel tube

#### WEIGHT

**Pendant Direct:** 2.5 lb/ft - 1.13 kg/ft

**Pendant Direct/Indirect:** 3.2 lb/ft - 1.45 kg/ft

**Recessed:** 3.2 lb/ft - 1.45 kg/ft

**Surface:** 2.5 lb/ft - 1.13 kg/ft

#### CERTIFICATIONS

**ETL:** Rated for indoor dry/damp locations. Conforms to UL Standard 1598 and certified to CAN/CSA Standard C22.2 No. 250.0.

**IC rated:** Suitable for direct contact with insulation. For Recessed mounting only.

**Declare:** [LBC Red List Approved](#)

#### WARRANTY

Lumenwerx provides a five-year limited warranty on electrical and mechanical performance of the luminaires, including the LED boards, drivers, and auxiliary electronics. Lumenwerx will repair or replace defective luminaires or components at our discretion, provided they have been installed and operated in accordance with our specifications. Other limitations apply, please refer to the full warranty on our website.