


CYLINDER / CUBOID


Pendant - Deep Canopy





INSTALLATION INSTRUCTIONS


 This product must be installed in accordance with the National Electrical Code and all applicable local codes, by a person familiar with the construction and operation of the product, and the hazards involved. Proper grounding is required for safety.

Ce produit doit être installé suivant le code national de l'électricité, ainsi que tous les codes locaux applicables, par une personne familière avec la construction et le fonctionnement du produit, ainsi que tous les risques qui y sont associés. La mise à terre électrique est obligatoire pour la sécurité.


 Disconnect power before installation or servicing.

 Wire dimming conductors as Class 1.


 A luminaire with more than one power supply connection means shall be connected to only one branch circuit.

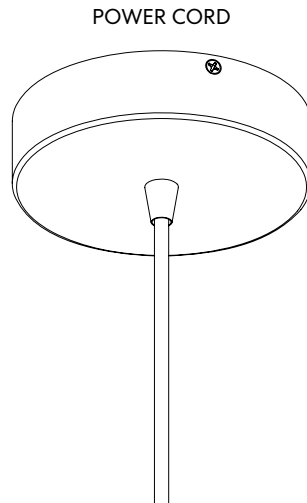
 For electrical connections, please refer to the [wiring diagram guide](#).



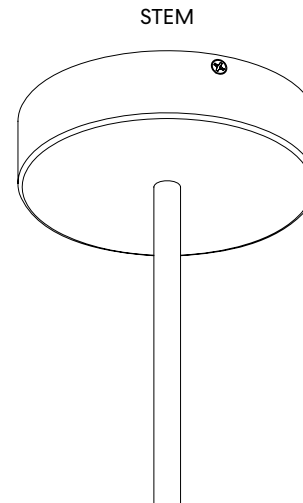
 For remote driver box installation instructions, please refer to the [remote driver installation sheet](#).



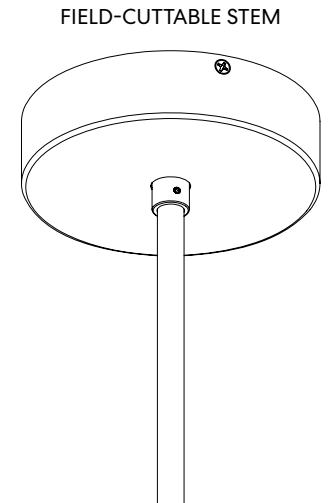
 Shown with round canopy. Applicable to square canopy.



POWER CORD



STEM



FIELD-CUTTABLE STEM

Go to the section specific to your suspension option.

INDEX

Power cord.....	P2
Stem.....	P8
Field-cutable stem.....	P11

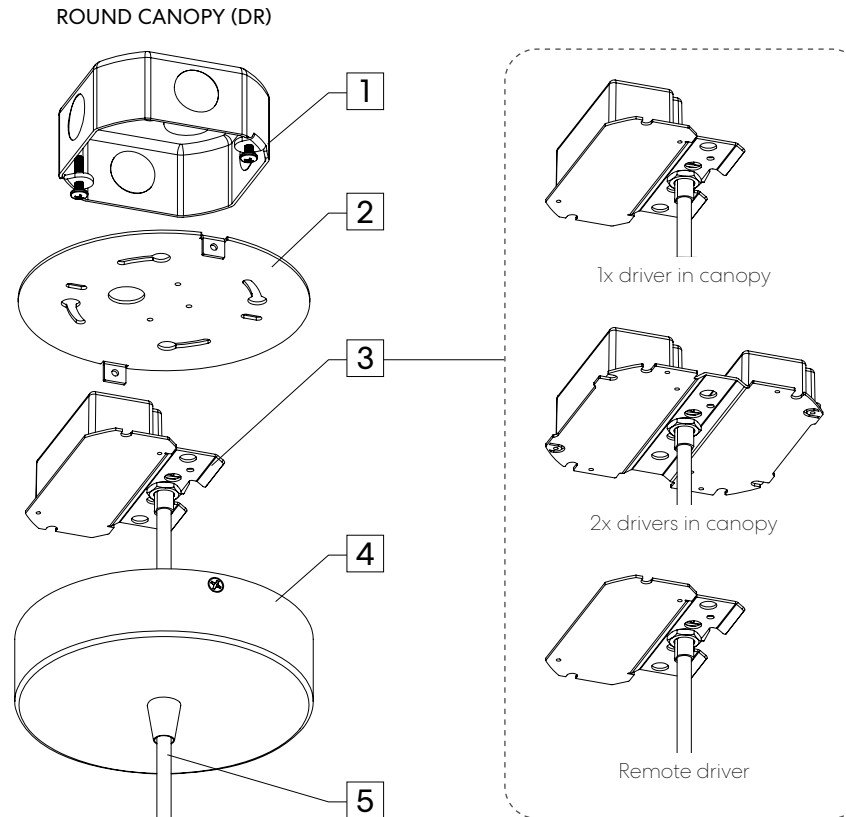


CYLINDER / CUBOID

Pendant - Deep Canopy



POWER CORD



ITEMS LIST

1	Standard J-box (by others)
2	Mounting plate
3	Driver bracket
4	Deep canopy
5	Power cord

TOOLS REQUIRED

- Flat head screwdriver
- Phillips screwdriver
- Power cord cutter (as required)
- Wire stripper (as required)

CANOPY SIZE

ROUND	Ø 5 5/8" Height 1 3/8"
--------------	---------------------------



Instructions are shown with 1x driver option. Applicable to all driver options.



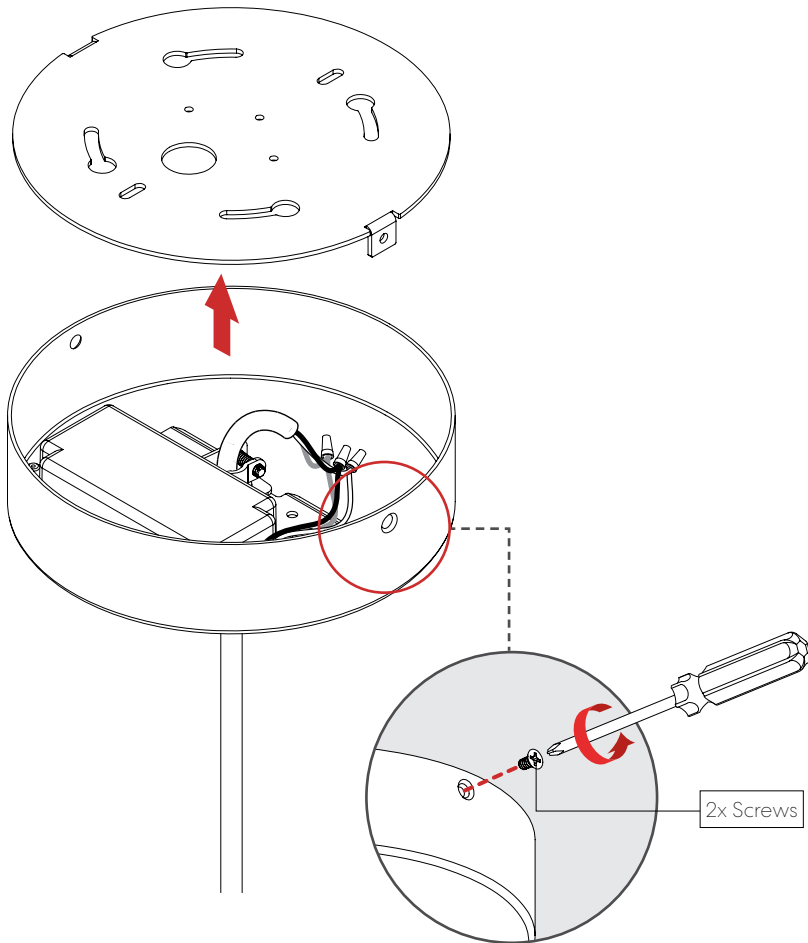
CYLINDER / CUBOID

Pendant - Deep Canopy



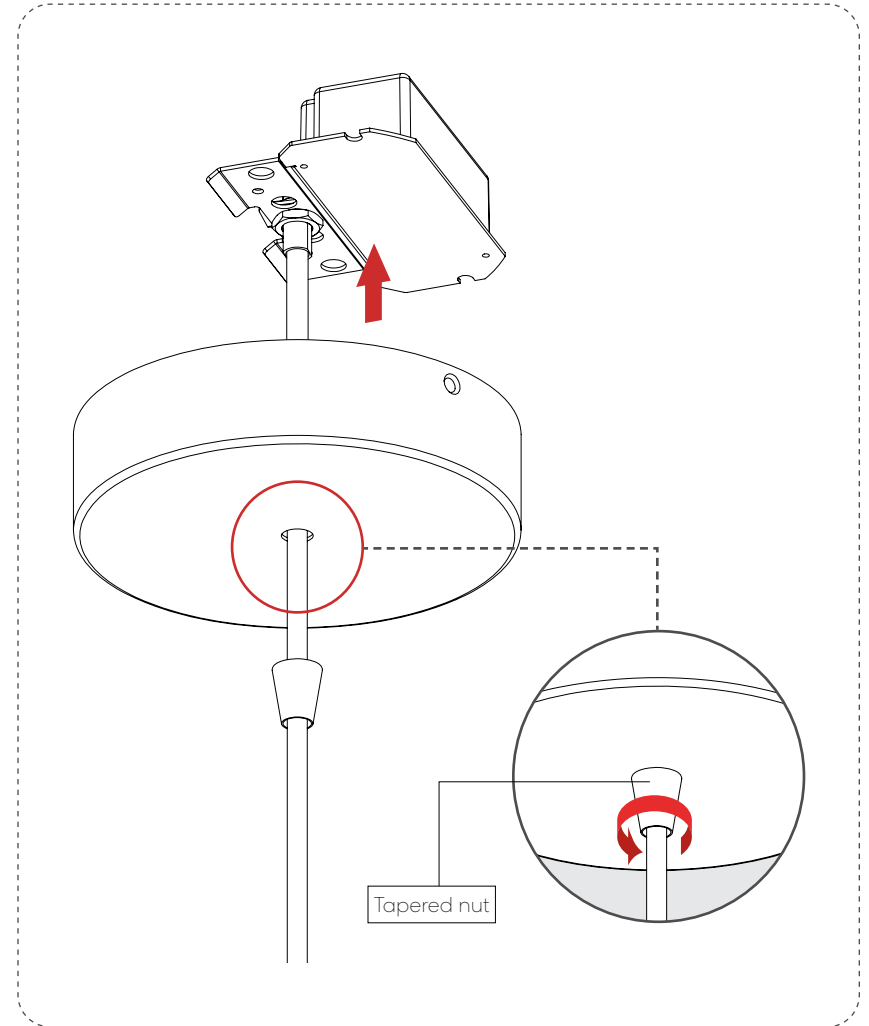
POWER CORD

1 DETACH MOUNTING PLATE.



2 ADJUST POWER CORD LENGTH. **OPTIONAL**

2-1 Detach the driver bracket.



CYLINDER / CUBOID

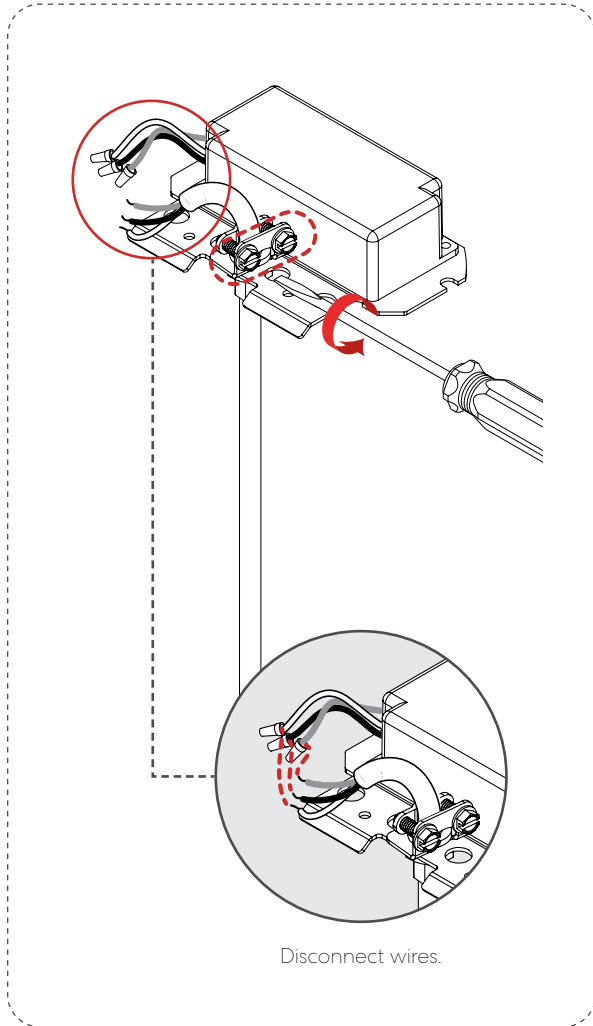
Pendant - Deep Canopy



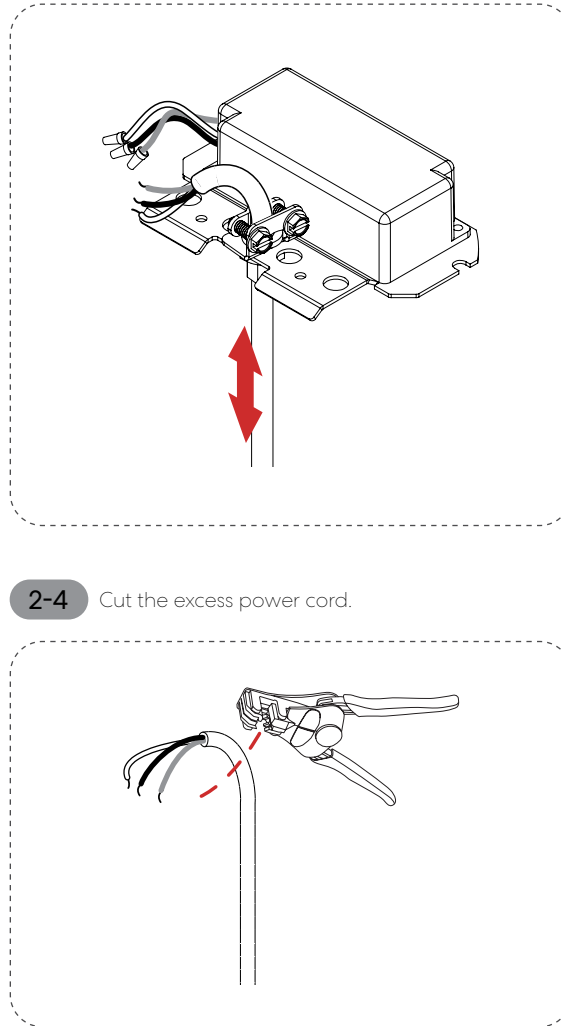
POWER CORD

2 ADJUST POWER CORD LENGTH. OPTIONAL

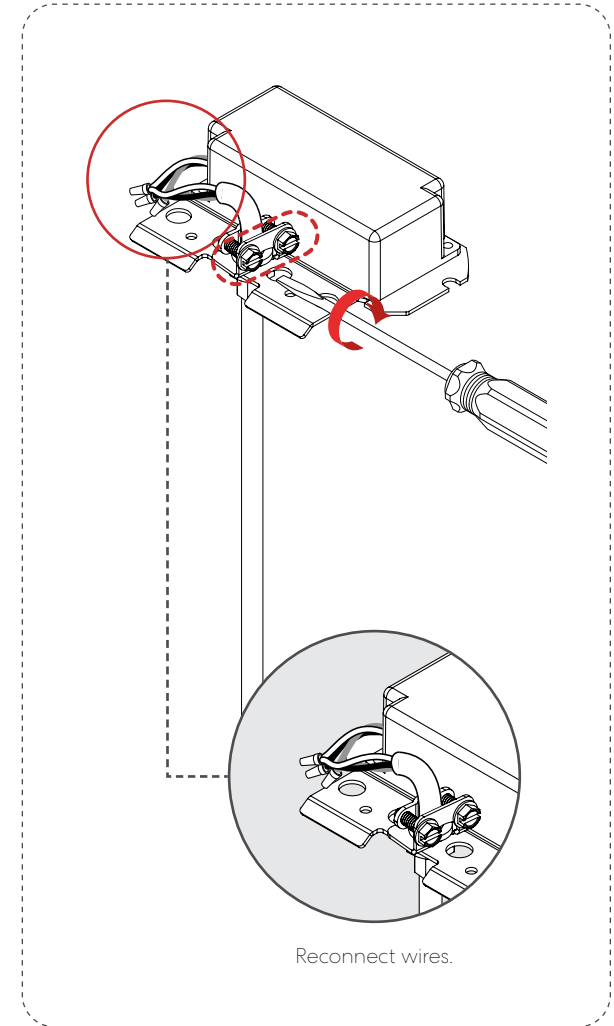
2-2 Untighten the cable holder.



2-3 Adjust power cord length.



2-5 Tighten the cable holder.



CYLINDER / CUBOID

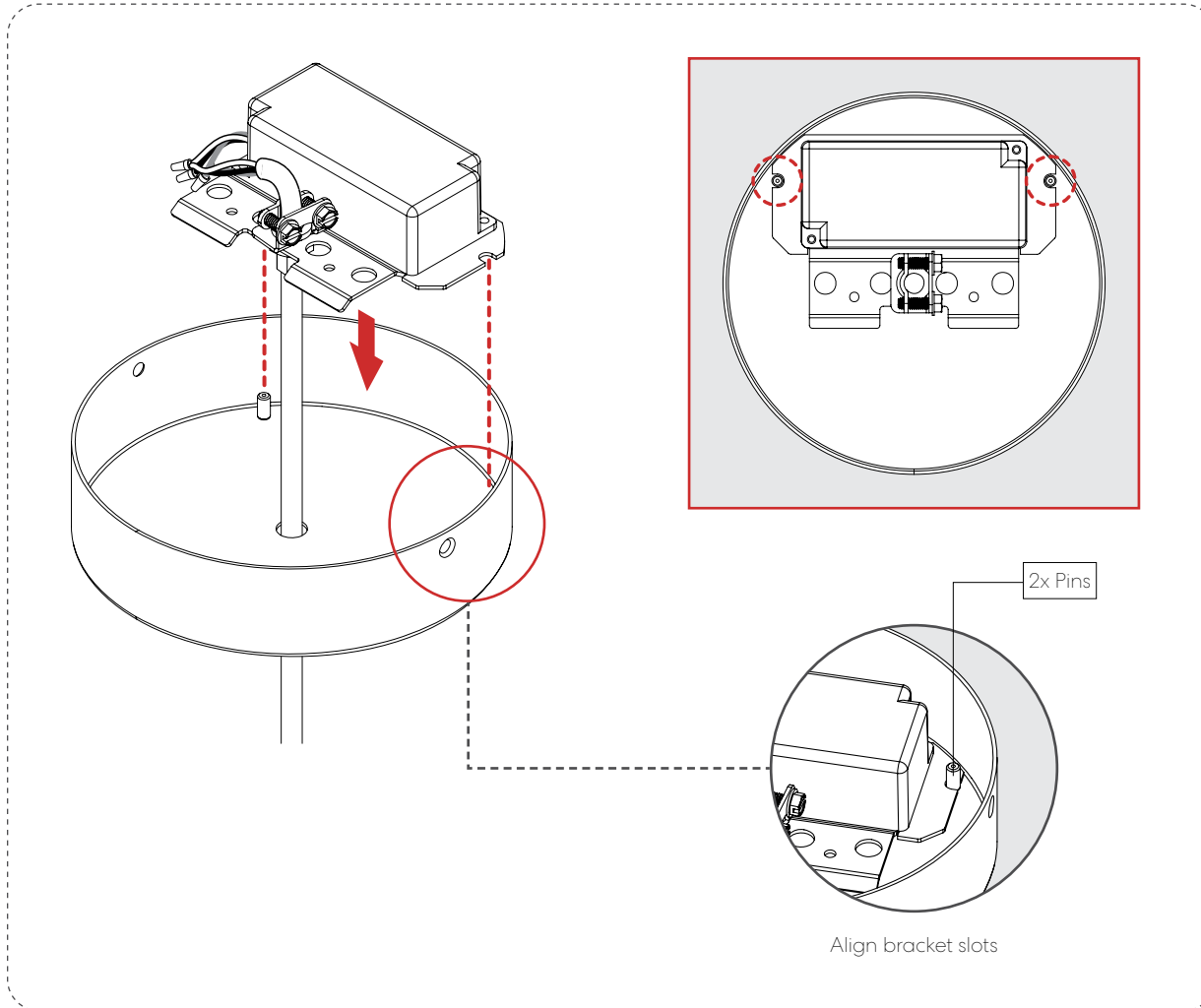
Pendant - Deep Canopy



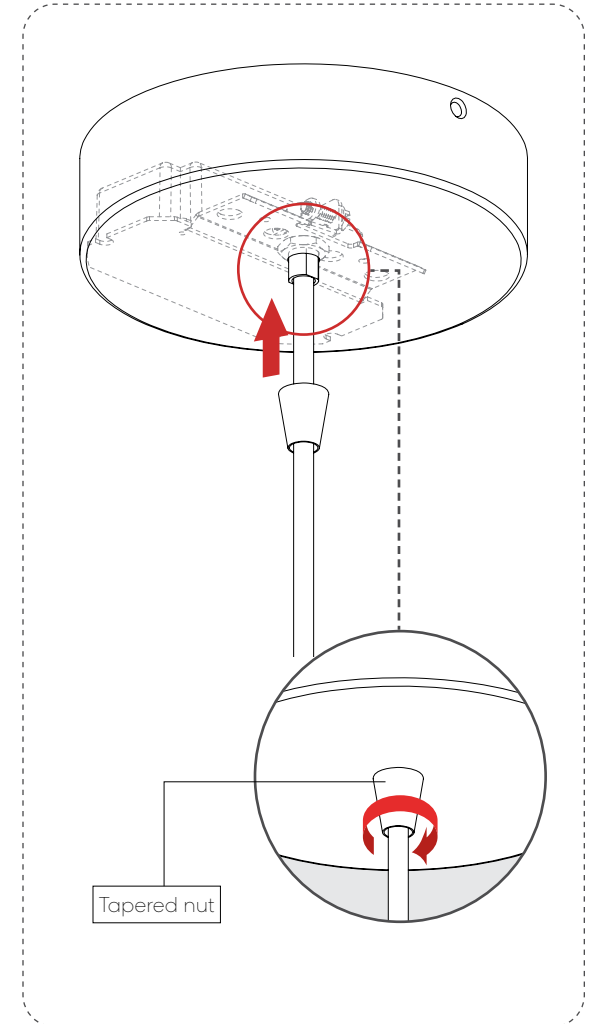
POWER CORD

2 ADJUST POWER CORD LENGTH. OPTIONAL

2-6 Place the driver bracket.



2-7 Reattach the driver bracket.



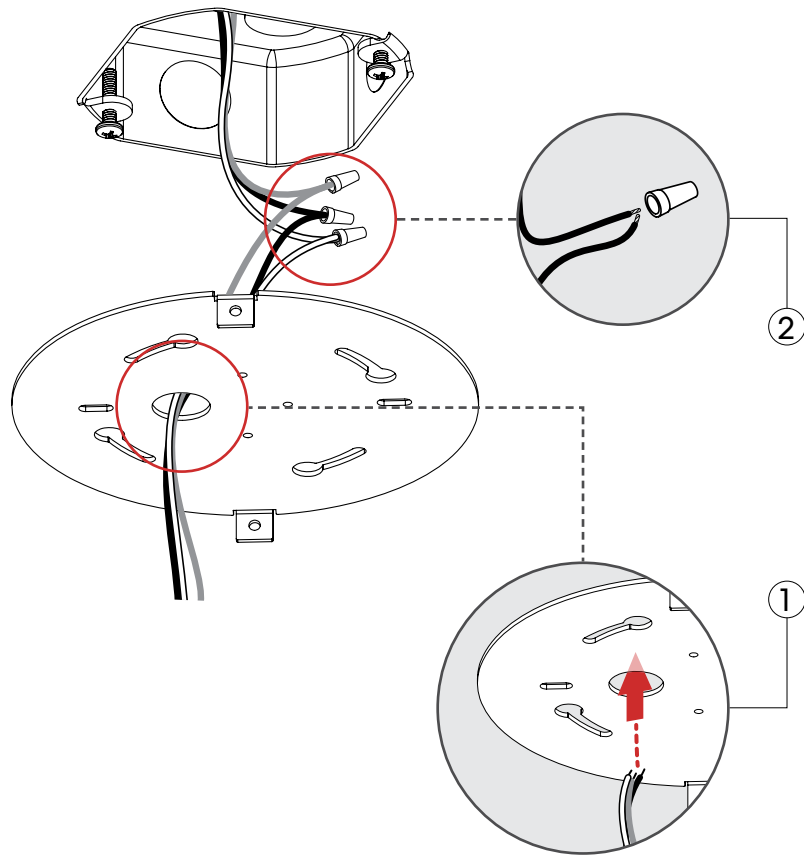
CYLINDER / CUBOID

Pendant - Deep Canopy



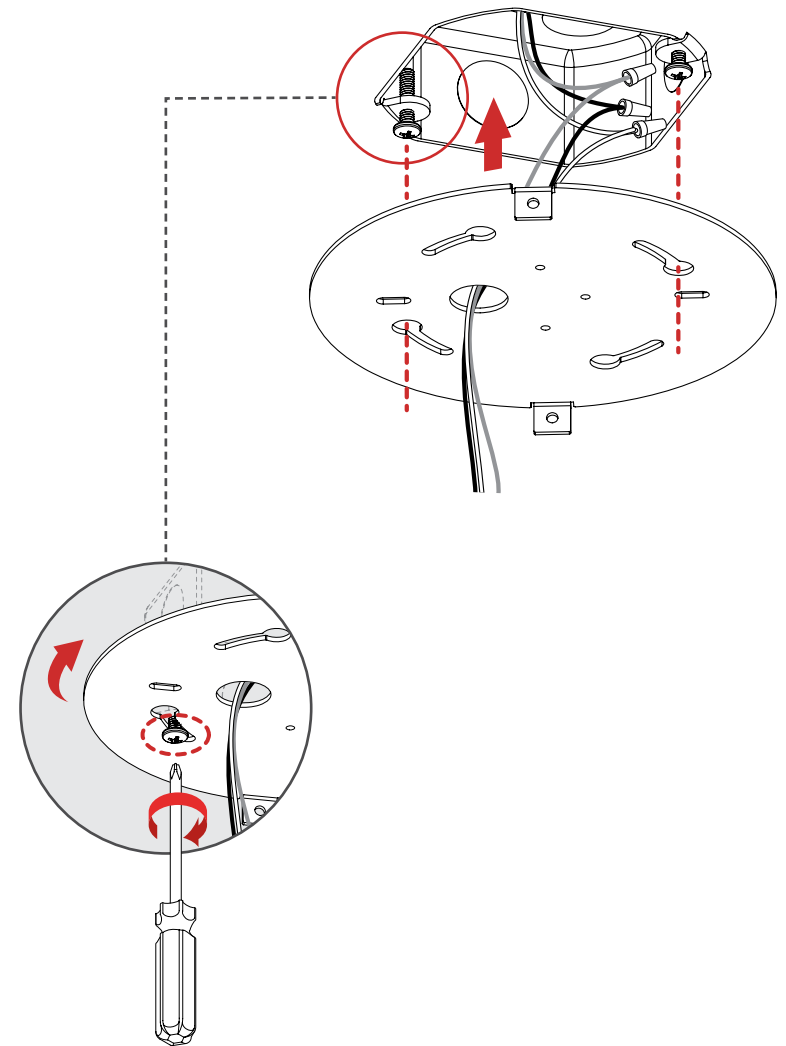
POWER CORD

3 MAKE ELECTRICAL CONNECTIONS.



Note: Number of wires may vary.

4 FIX MOUNTING PLATE.



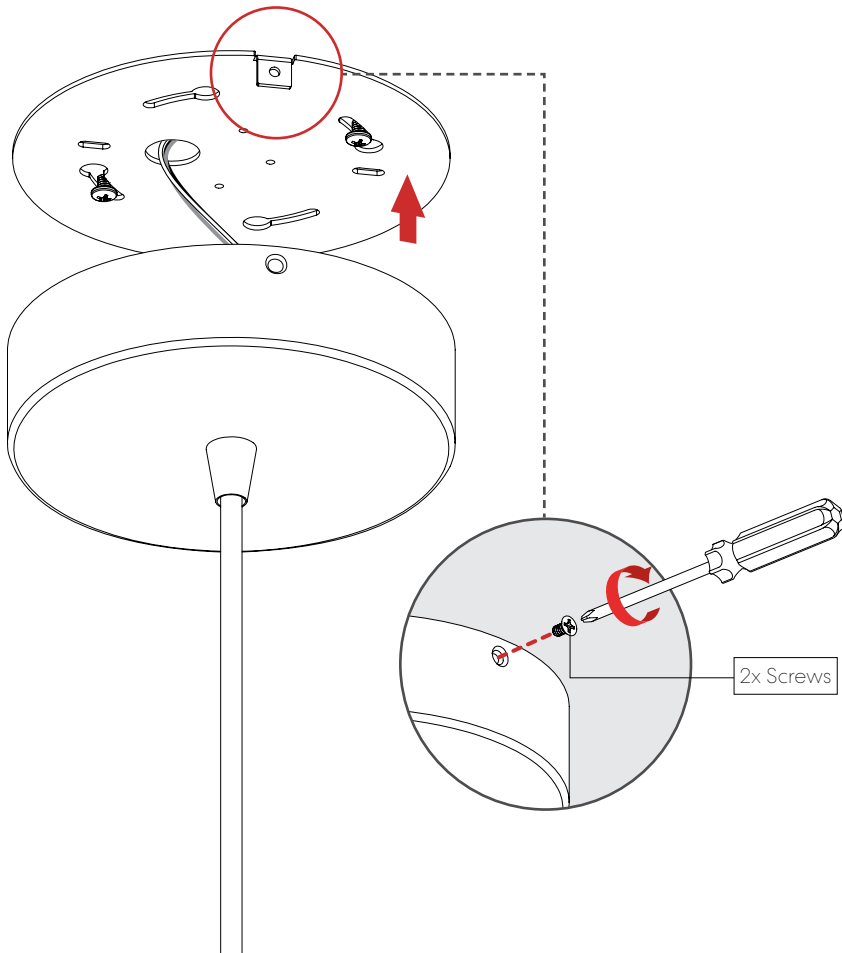
CYLINDER / CUBOID

Pendant - Deep Canopy



POWER CORD

5 MOUNT CANOPY.

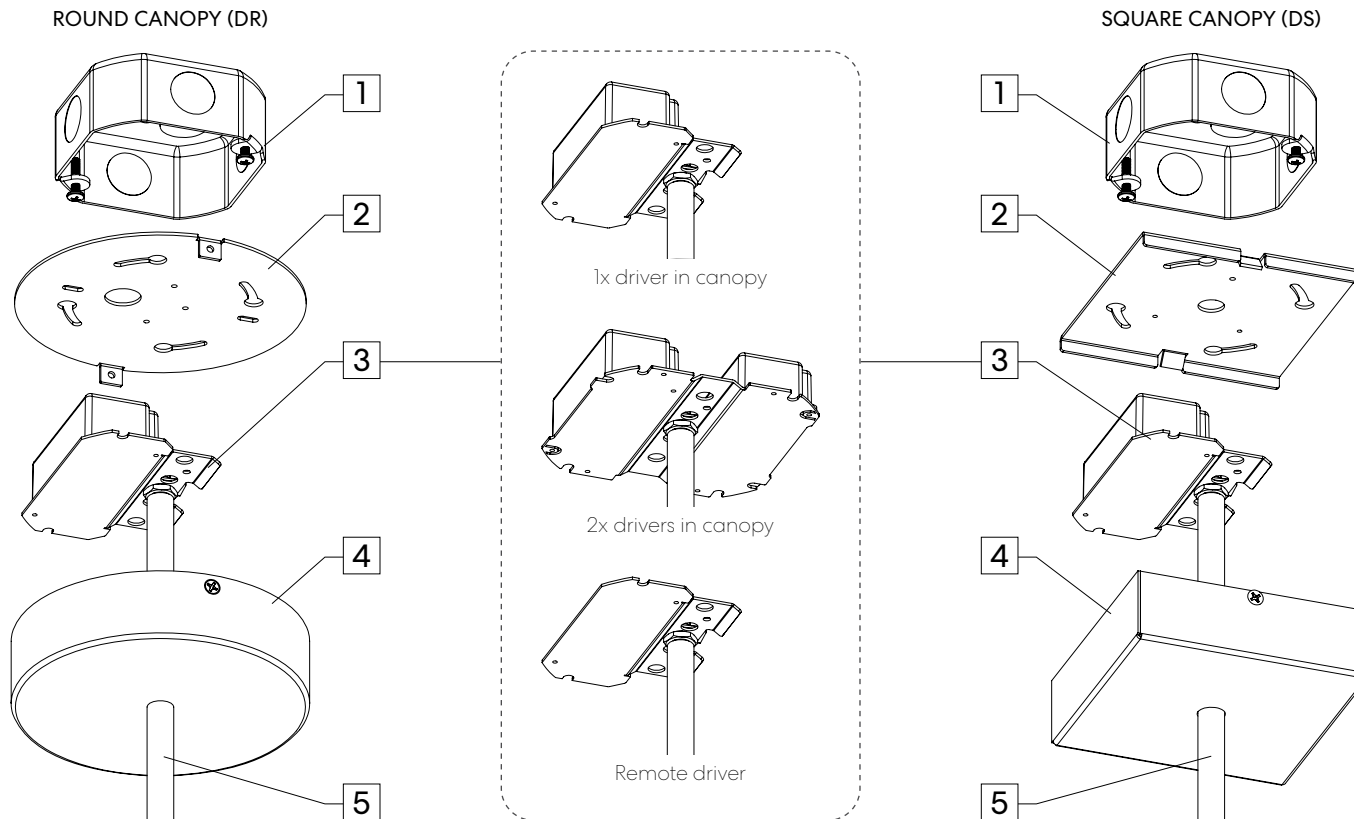


CYLINDER / CUBOID

Pendant - Deep Canopy



STEM



ITEMS LIST


1	Standard J-box (by others)
2	Mounting plate
3	Driver bracket
4	Deep canopy
5	Stem

TOOLS REQUIRED

- Phillips screwdriver

CANOPY SIZE

ROUND	Ø 5 5/8" Height 1 3/8"
SQUARE	4 5/8" x 4 5/8" Height 1 3/8"

 Instructions are shown with round canopy and 1x driver. Applicable to square canopy and all driver options.



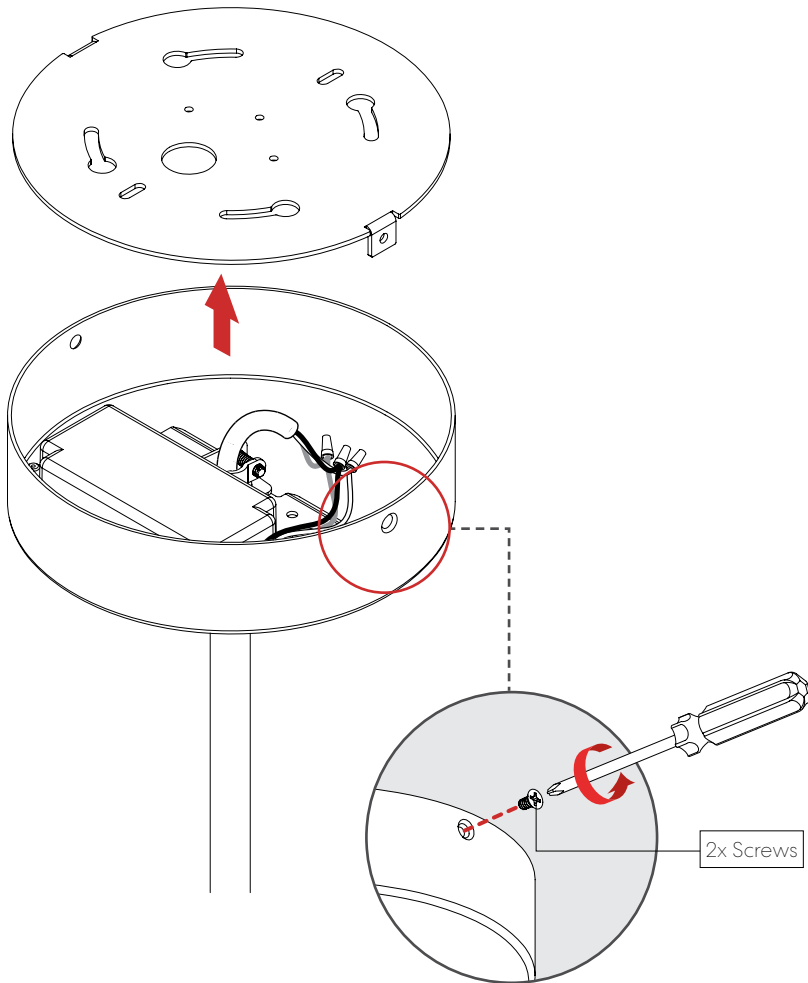
CYLINDER / CUBOID

Pendant - Deep Canopy

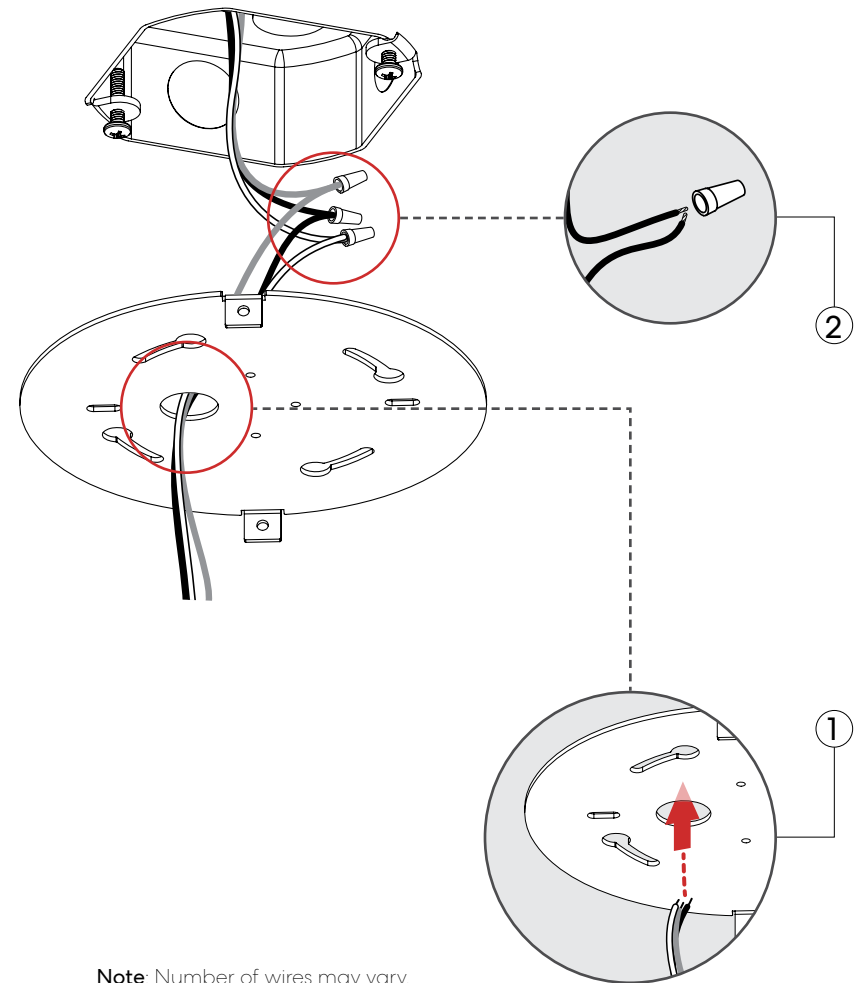


STEM

1 DETACH MOUNTING PLATE.



2 MAKE ELECTRICAL CONNECTIONS.



Note: Number of wires may vary.

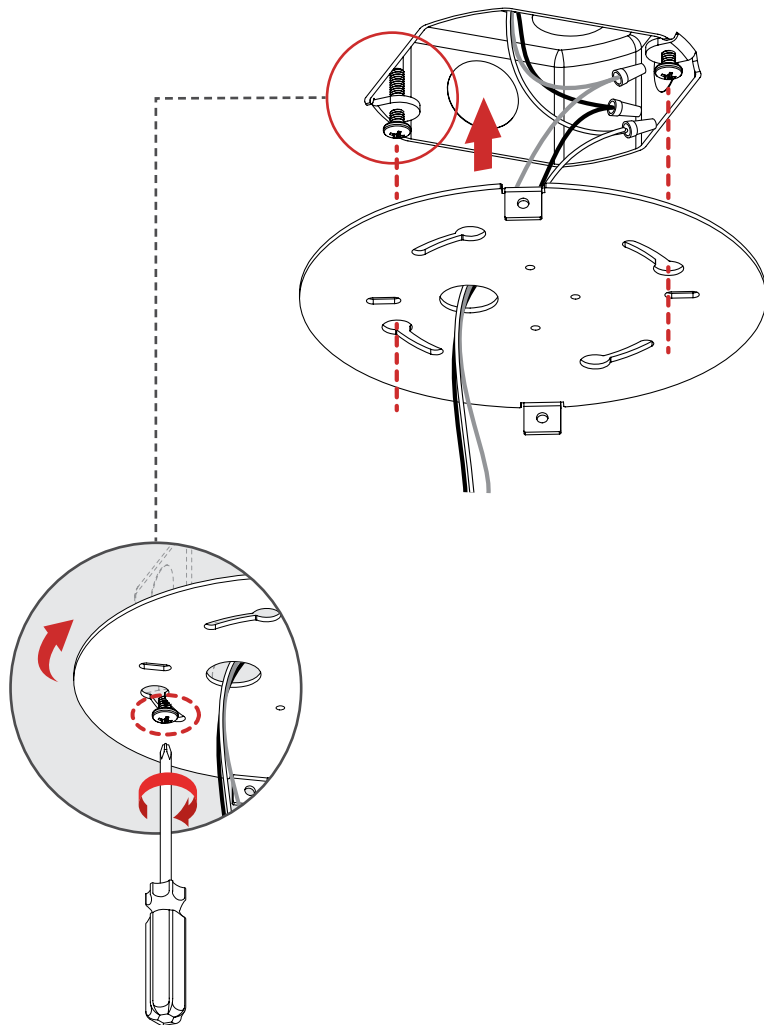
CYLINDER / CUBOID

Pendant - Deep Canopy

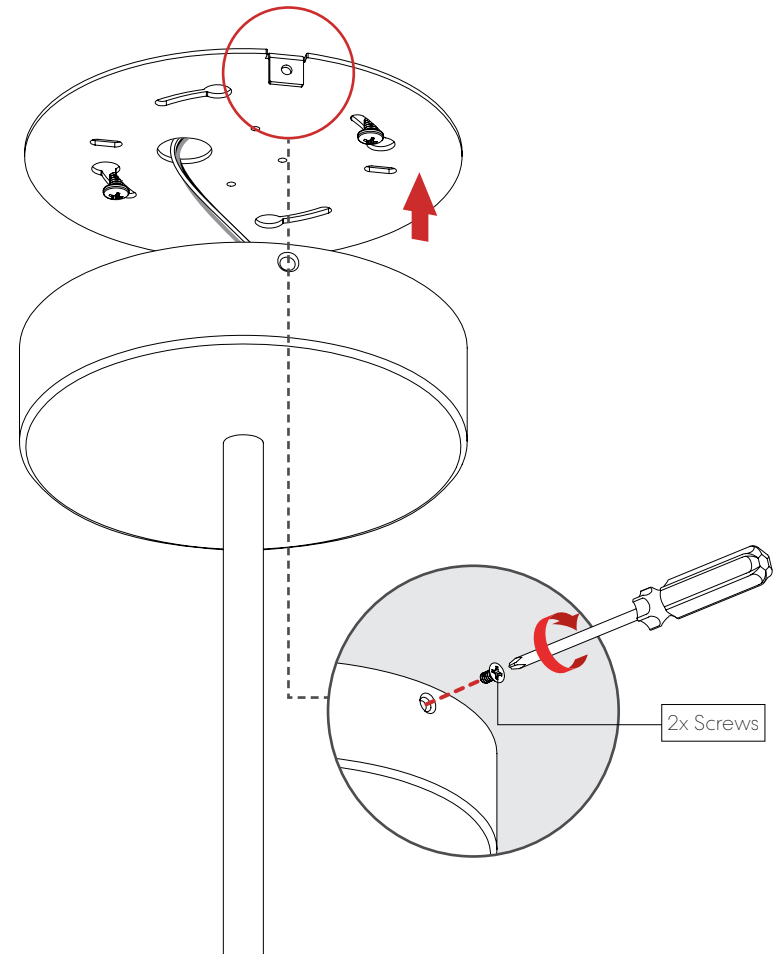


STEM

3 FIX MOUNTING PLATE.



4 MOUNT CANOPY.

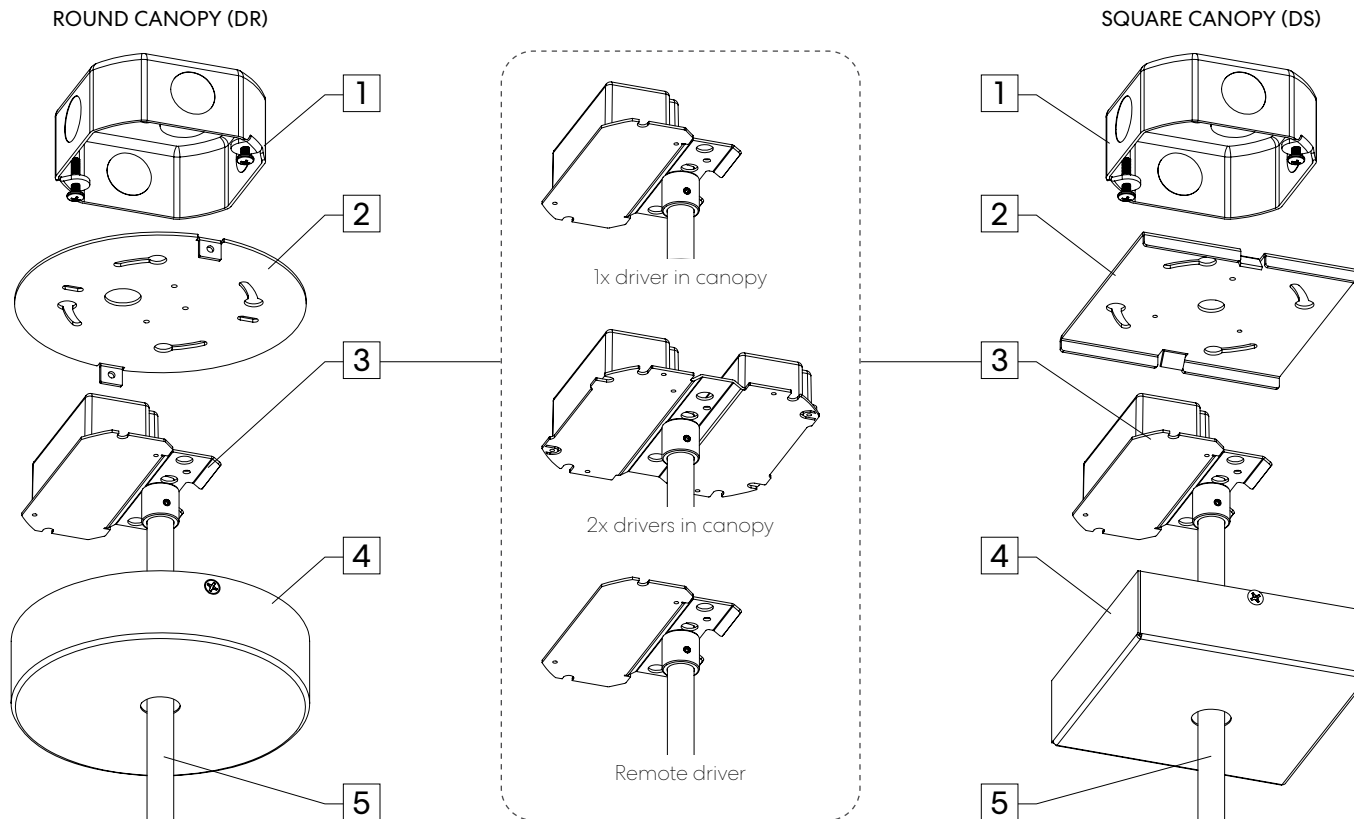


CYLINDER / CUBOID

Pendant - Deep Canopy



FIELD-CUTTABLE STEM



ITEMS LIST


1	Standard J-box (by others)
2	Mounting plate
3	Driver bracket
4	Deep canopy
5	Field-cuttable stem

TOOLS REQUIRED

- Phillips screwdriver
- Power cord cutter
- Wire stripper
- Allen key 5/64"
- 1/8" drill bit
- Hacksaw

CANOPY SIZE

ROUND	Ø 5 5/8" Height 1 3/8"
SQUARE	4 5/8" x 4 5/8" Height 1 3/8"

 Instructions are shown with round canopy and 1x driver. Applicable to square canopy and all driver options.



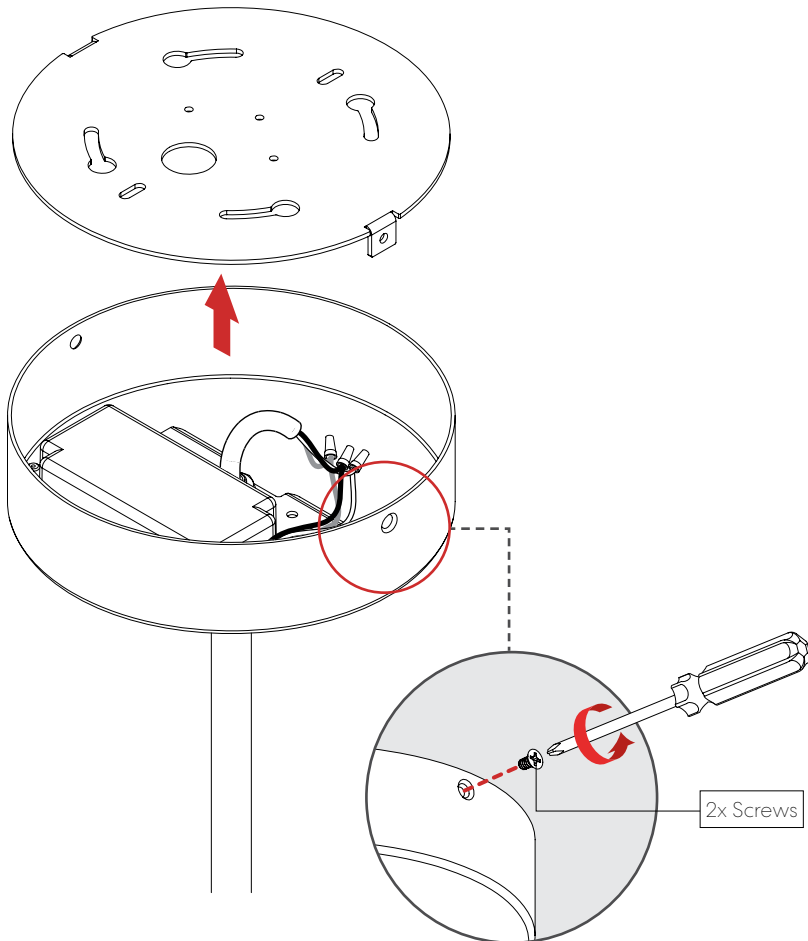
CYLINDER / CUBOID

Pendant - Deep Canopy

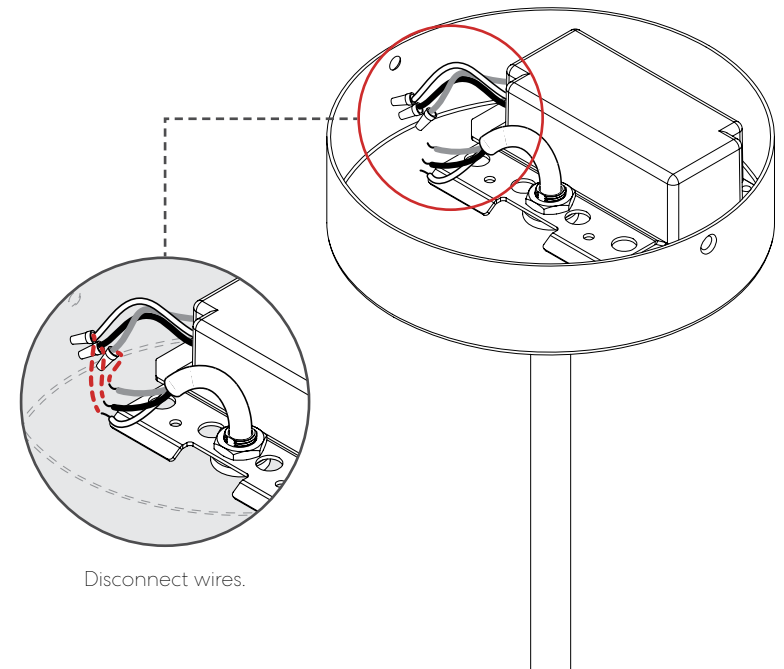


FIELD-CUTTABLE STEM

1 DETACH MOUNTING PLATE.



2 DISCONNECT WIRES.



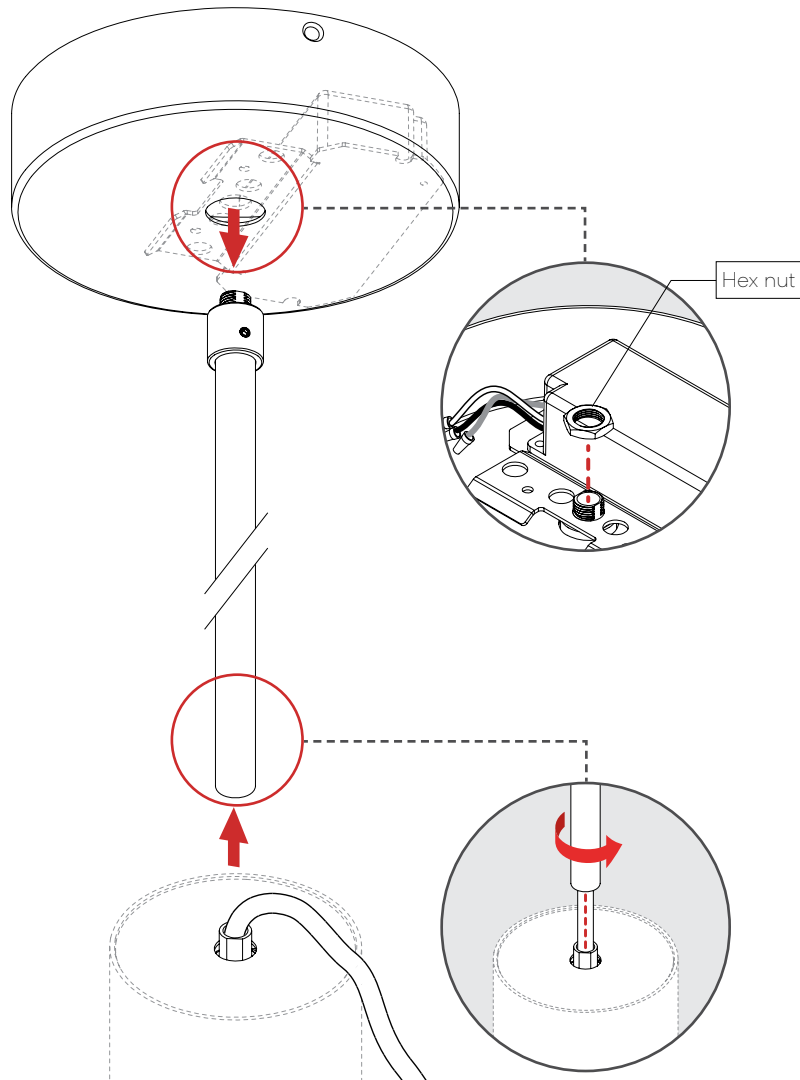
CYLINDER / CUBOID

Pendant - Deep Canopy

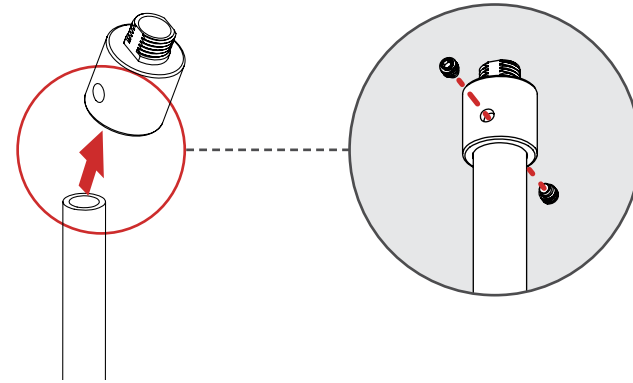


FIELD-CUTTABLE STEM

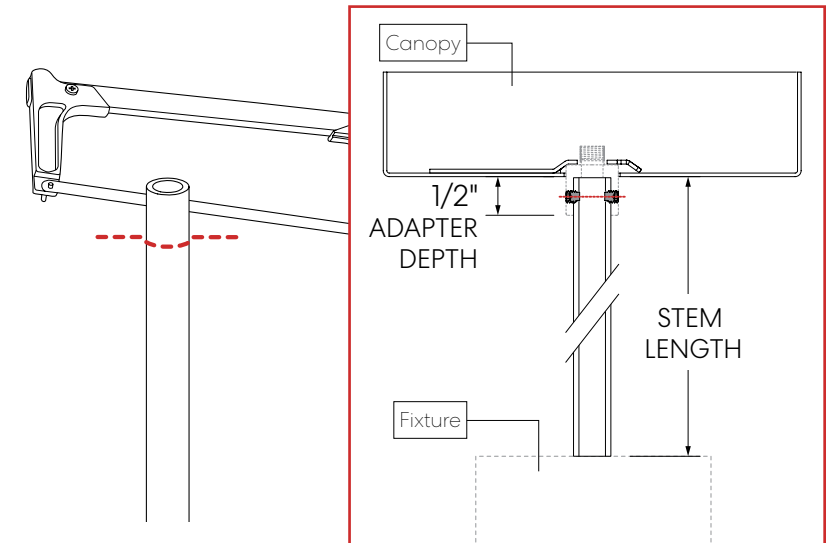
3 DETACH STEM.



4 DETACH ADAPTER.



5 CUT STEM.



Note: Clean up the area to eliminate any sharp edges



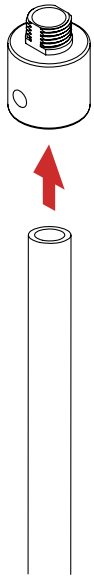
CYLINDER / CUBOID

Pendant - Deep Canopy

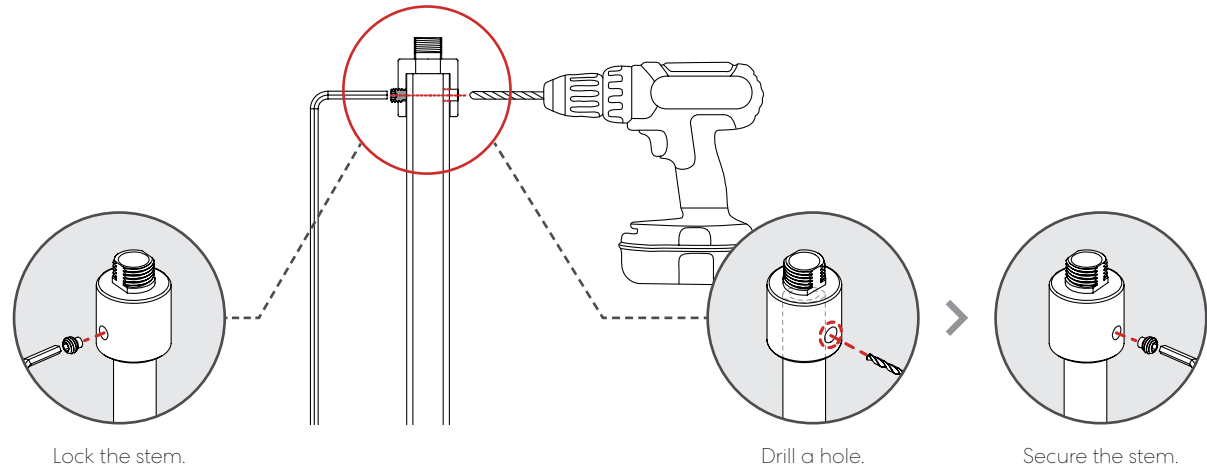


FIELD-CUTTABLE STEM

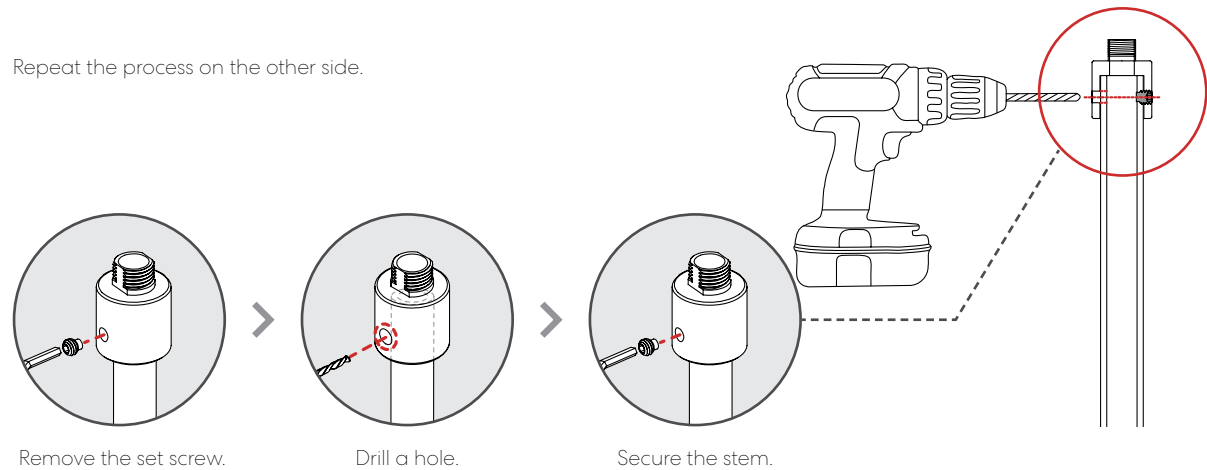
6 INSERT STEM INTO ADAPTER.



7 FIX STEM TO ADAPTER.



Repeat the process on the other side.



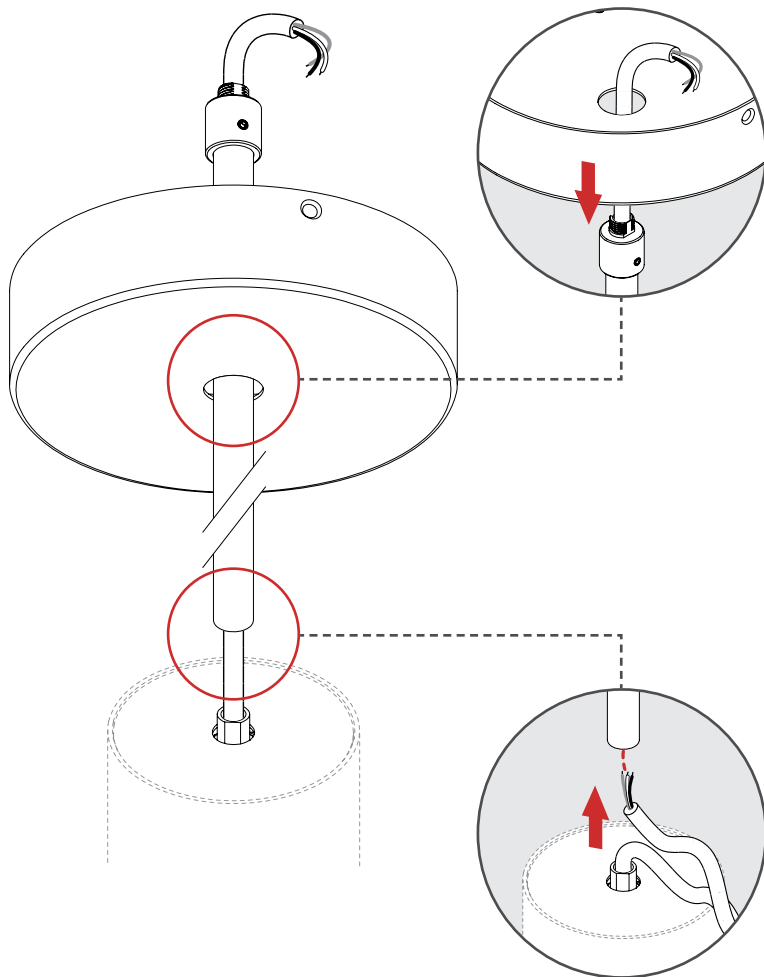
CYLINDER / CUBOID

Pendant - Deep Canopy

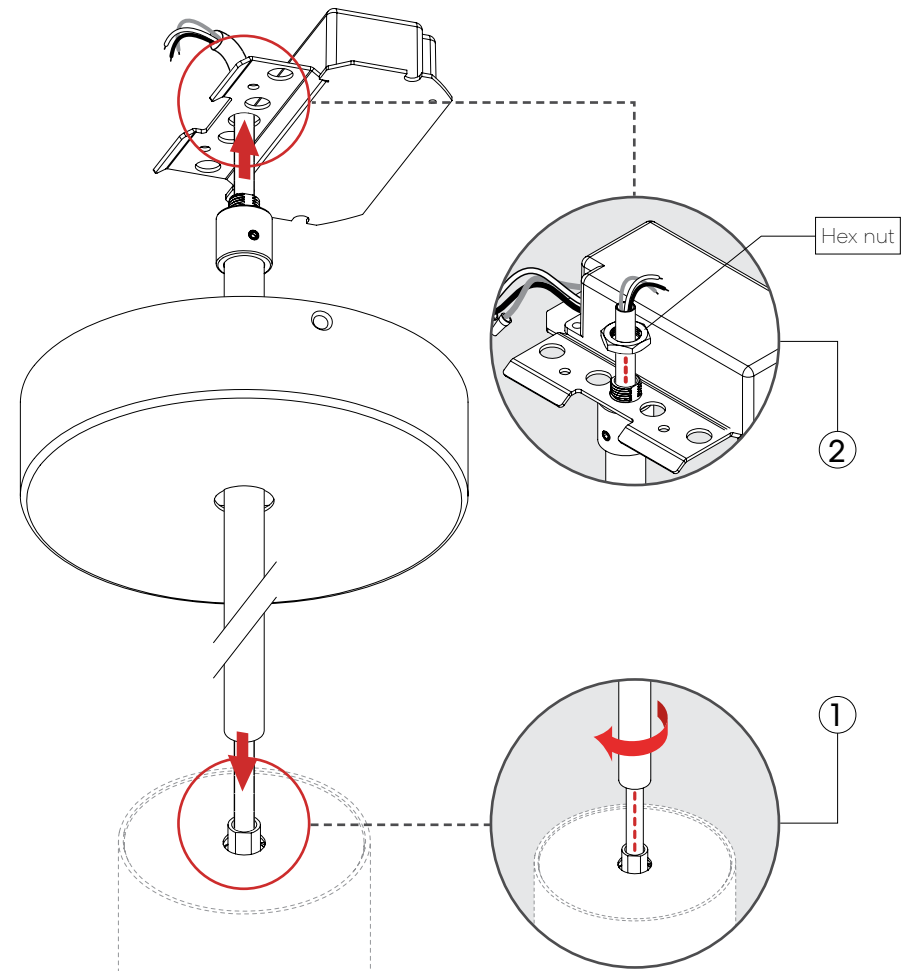


FIELD-CUTTABLE STEM

8 INSERT CANOPY AND POWER CORD.



9 REINSTALL STEM ONTO FIXTURE AND DRIVER BRACKET.



Note: Hold the power cord at the top to prevent it from twisting.

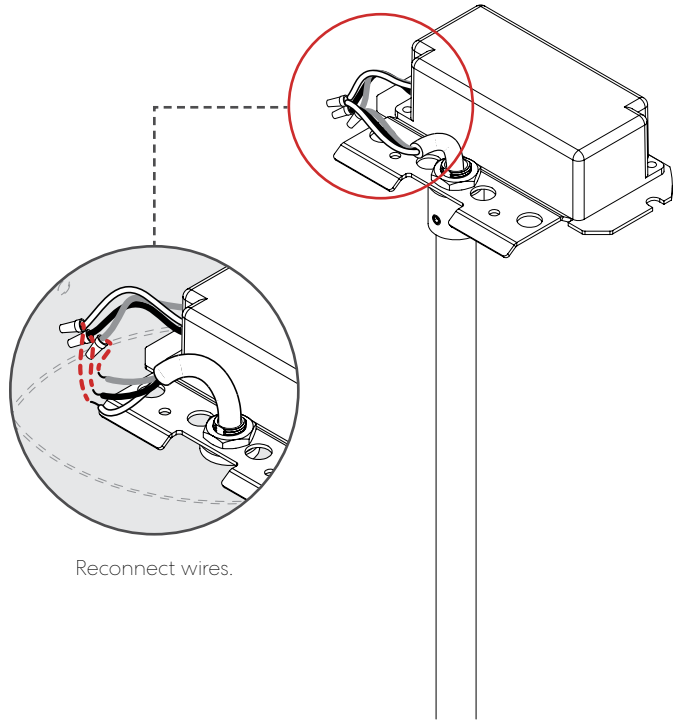
CYLINDER / CUBOID

Pendant - Deep Canopy

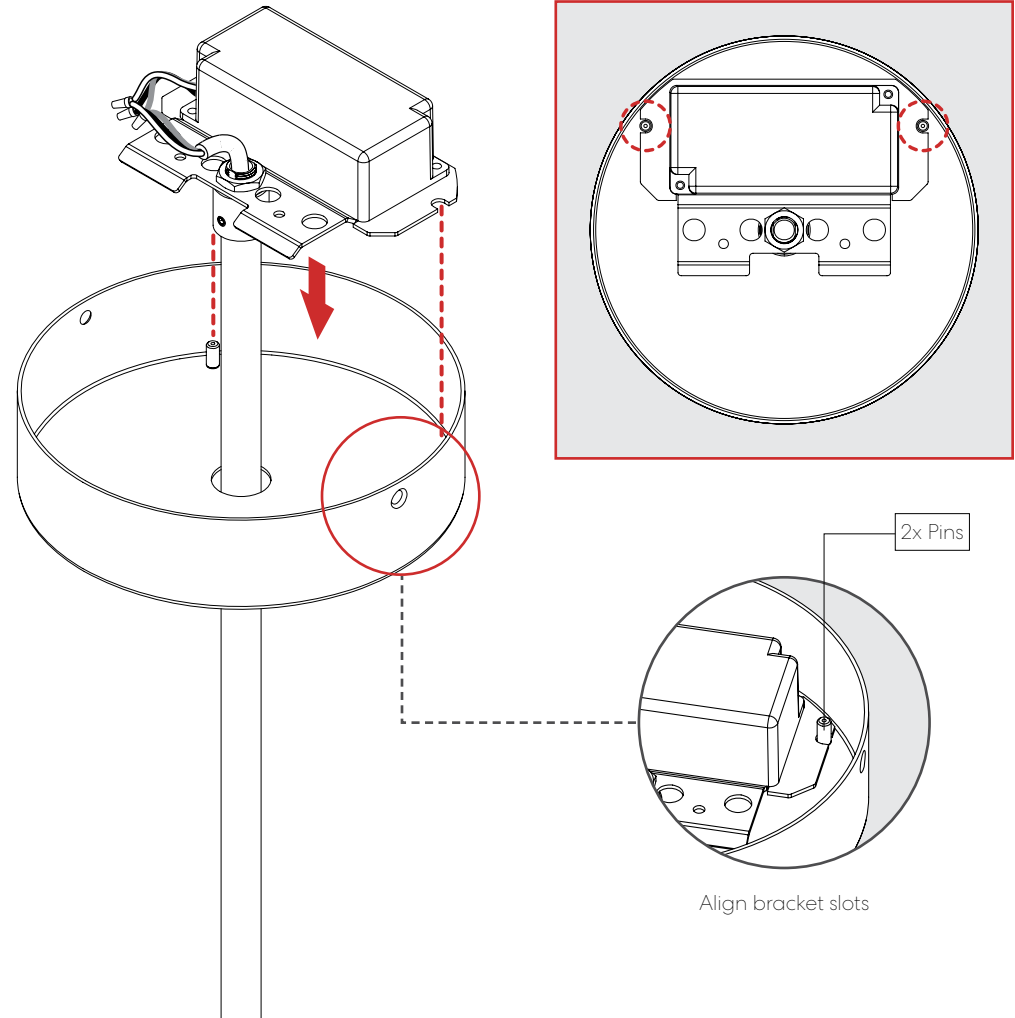


FIELD-CUTTABLE STEM

10 RECONNECT WIRES.



11 PLACE DRIVER BRACKET.



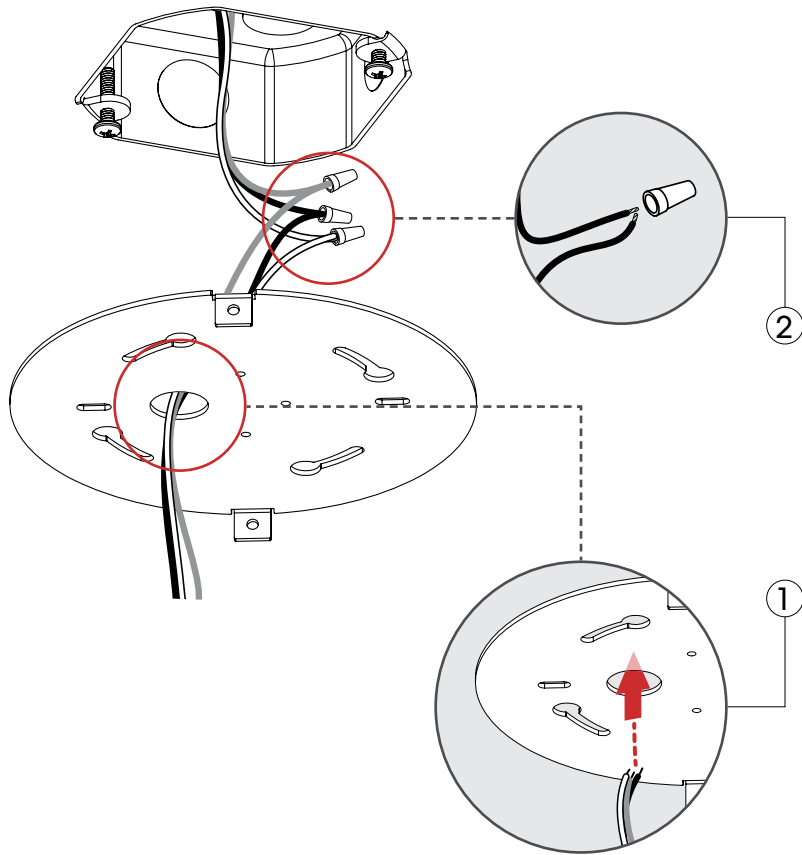
CYLINDER / CUBOID

Pendant - Deep Canopy



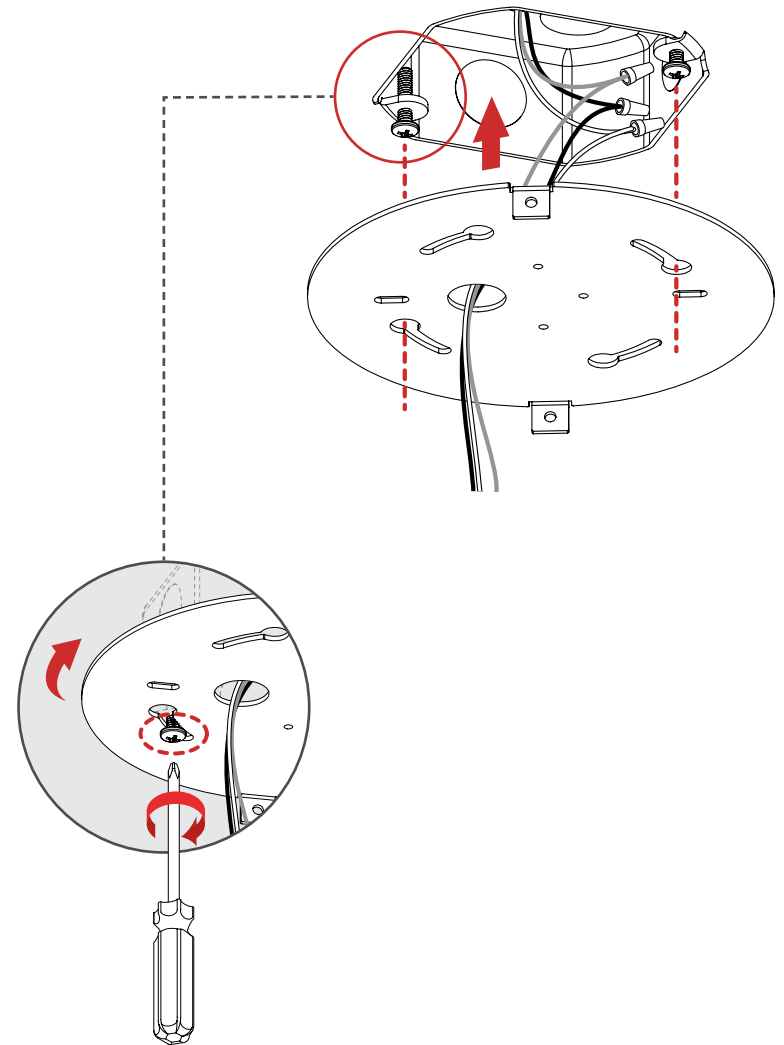
FIELD-CUTTABLE STEM

12 MAKE ELECTRICAL CONNECTIONS.



Note: Number of wires may vary.

13 FIX MOUNTING PLATE.



CYLINDER / CUBOID

Pendant - Deep Canopy



FIELD-CUTTABLE STEM

14 MOUNT CANOPY.

