


CYLINDER / CUBOID


Pendant - Flat Canopy





INSTALLATION INSTRUCTIONS


 This product must be installed in accordance with the National Electrical Code and all applicable local codes, by a person familiar with the construction and operation of the product, and the hazards involved. Proper grounding is required for safety.

Ce produit doit être installé suivant le code national de l'électricité, ainsi que tous les codes locaux applicables, par une personne familière avec la construction et le fonctionnement du produit, ainsi que tous les risques qui y sont associés. La mise à terre électrique est obligatoire pour la sécurité.


 Disconnect power before installation or servicing.

 Wire dimming conductors as Class 1.


 A luminaire with more than one power supply connection means shall be connected to only one branch circuit.

 For electrical connections, please refer to the [wiring diagram guide](#).

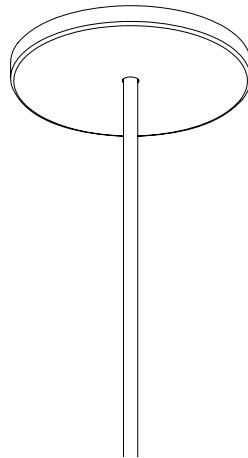


 For remote driver box installation instructions, please refer to the [remote driver installation sheet](#).

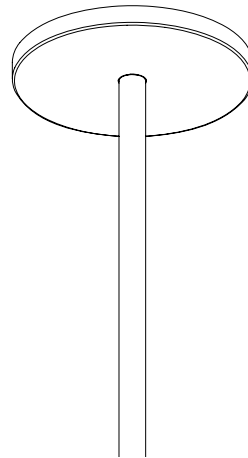


 Shown with round canopy. Applicable to square canopy.

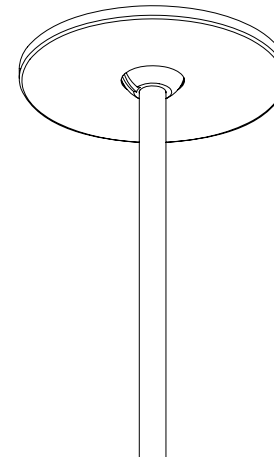
POWER CORD



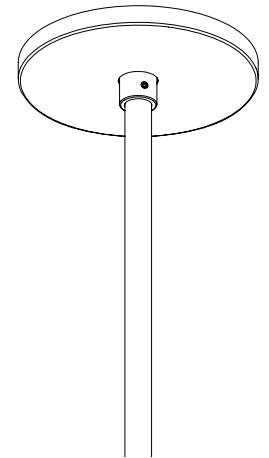
STEM



SWIVEL STEM



FIELD-CUTTABLE STEM



Go to the section specific to your suspension option.

INDEX

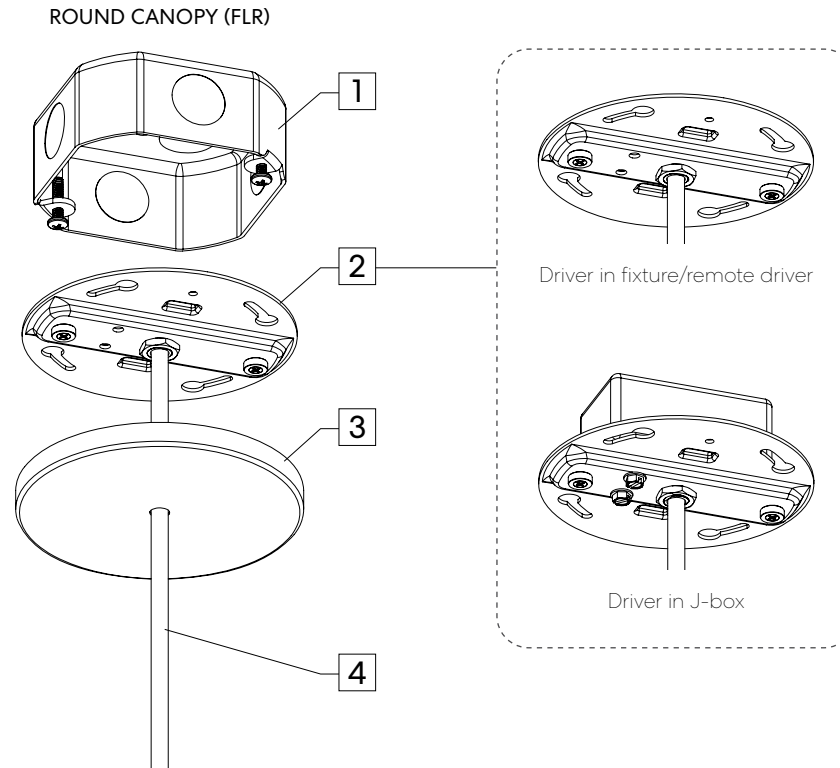
| | |
|--------------------------|---------------------|
| Power cord..... | P2 |
| Stem..... | P6 |
| Swivel stem..... | P9 |
| Field-cuttable stem..... | P15 |



CYLINDER / CUBOID

Pendant - Flat Canopy

POWER CORD



ITEMS LIST

| | |
|---|----------------------------|
| 1 | Standard J-box (by others) |
| 2 | Mounting plate |
| 3 | Flat canopy |
| 4 | Power cord |

TOOLS REQUIRED

| |
|-----------------------------------|
| - Flat head screwdriver |
| - Phillips screwdriver |
| - Power cord cutter (as required) |
| - Wire stripper (as required) |

CANOPY SIZE

| | |
|--------------|-------------------------|
| ROUND | Ø 4 1/2" Height 3/8" |
|--------------|-------------------------|

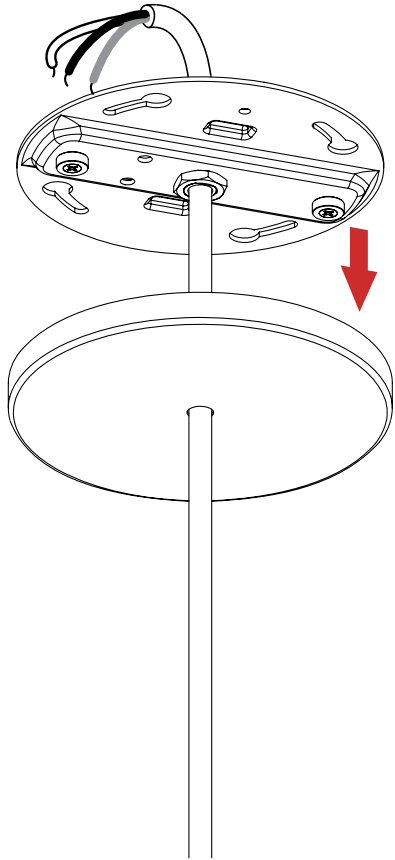
CYLINDER / CUBOID

Pendant - Flat Canopy



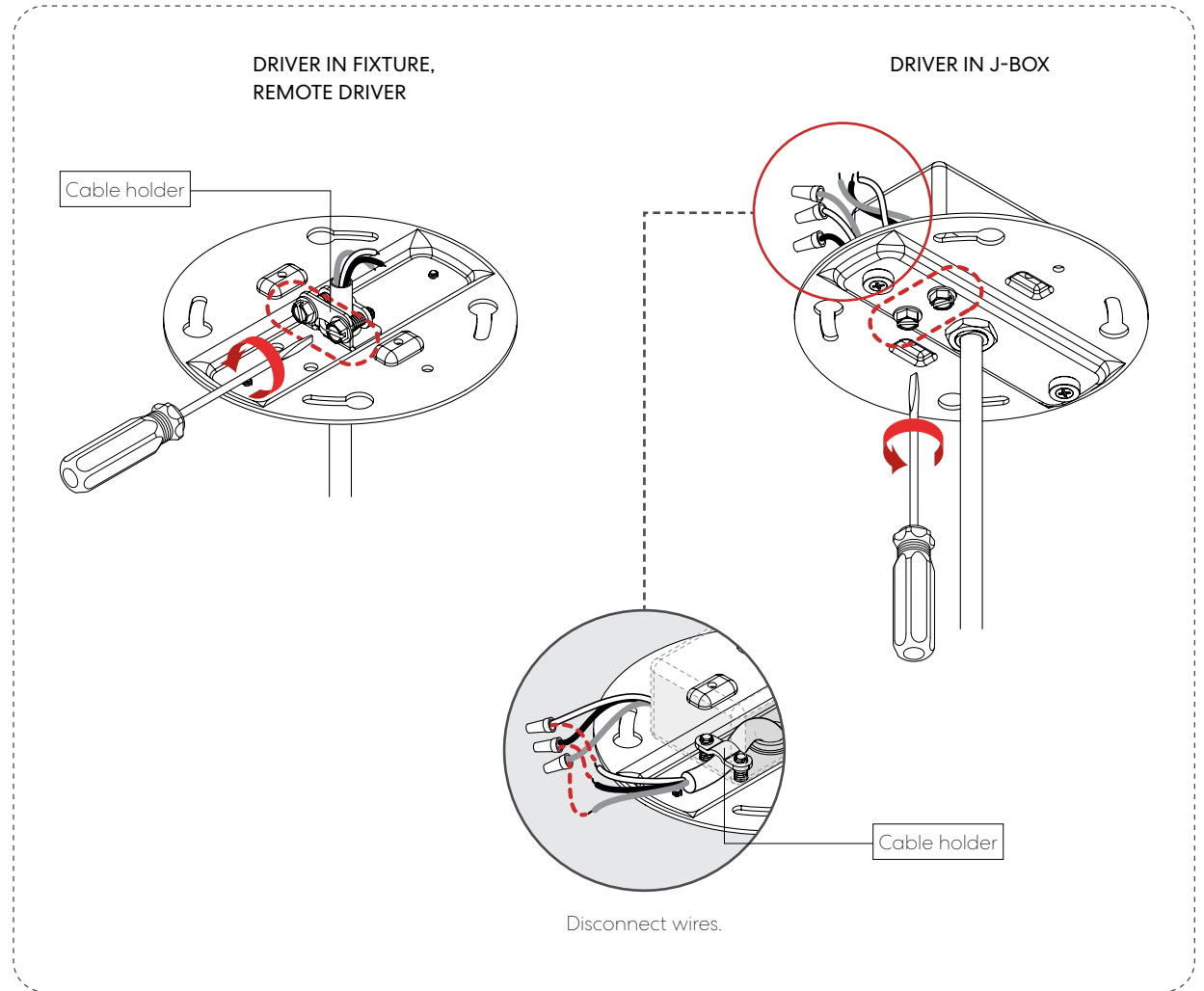
POWER CORD

1 DETACH CANOPY.



2 ADJUST POWER CORD LENGTH. **OPTIONAL**

2-1 Untighten the cable holder.



CYLINDER / CUBOID

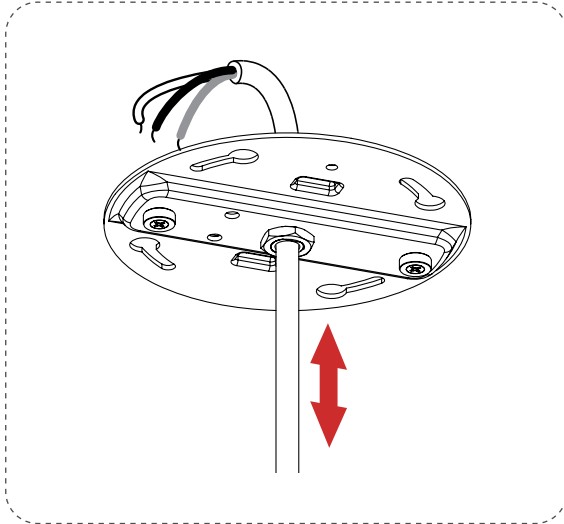
Pendant - Flat Canopy



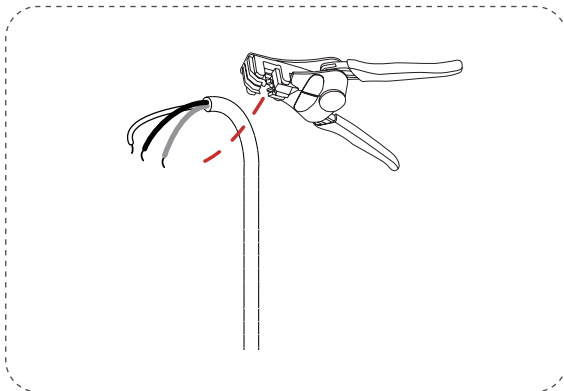
POWER CORD

2 ADJUST POWER CORD LENGTH. OPTIONAL

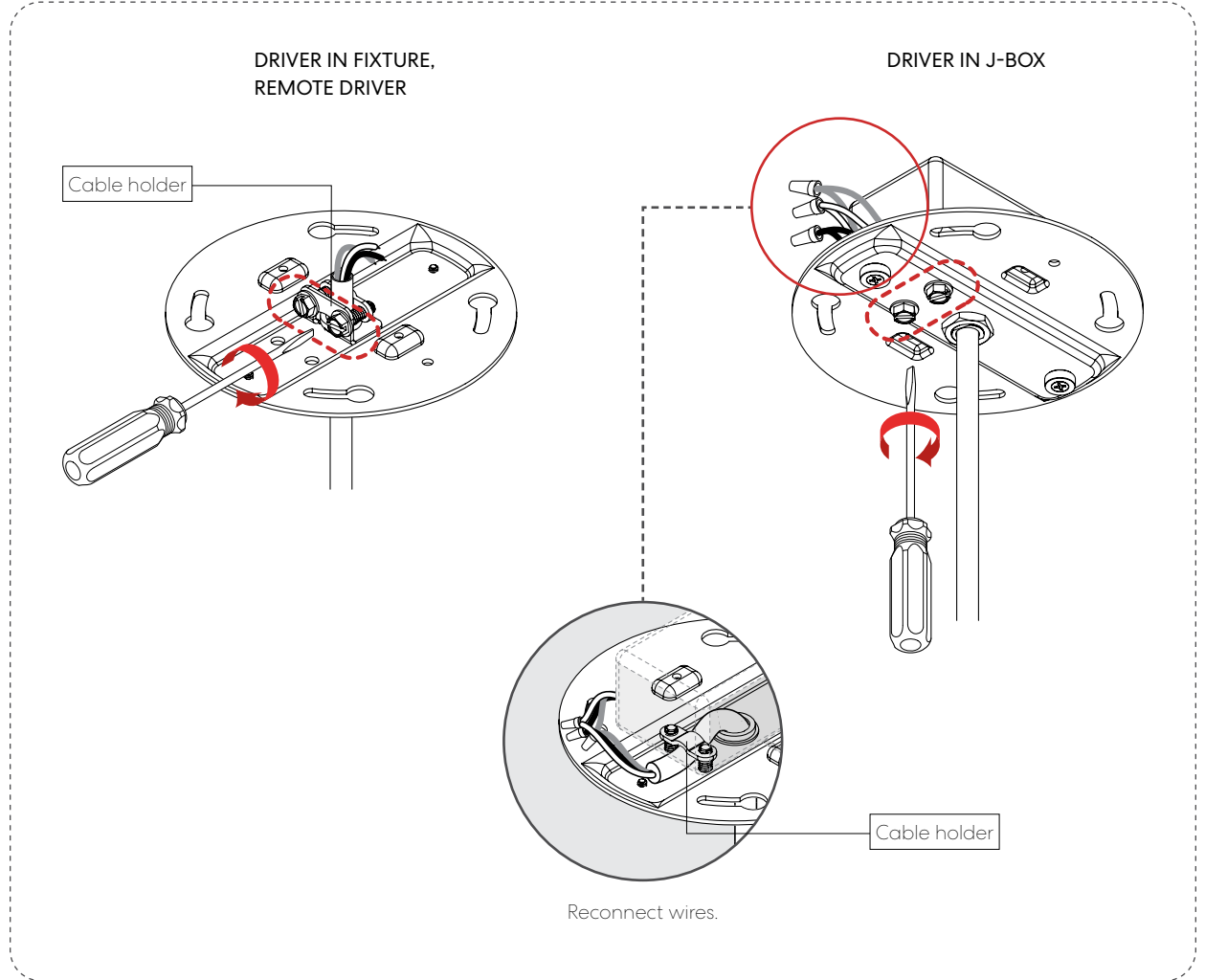
2-2 Adjust power cord length.



2-3 Cut the excess power cord.



2-4 Tighten the cable holder.



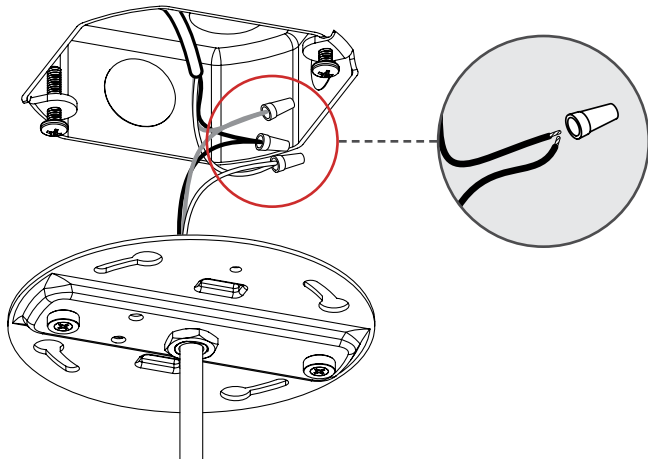
CYLINDER / CUBOID

Pendant - Flat Canopy



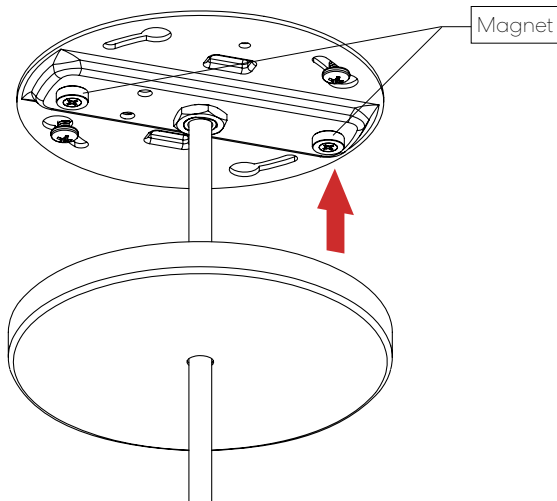
POWER CORD

3 MAKE ELECTRICAL CONNECTIONS.

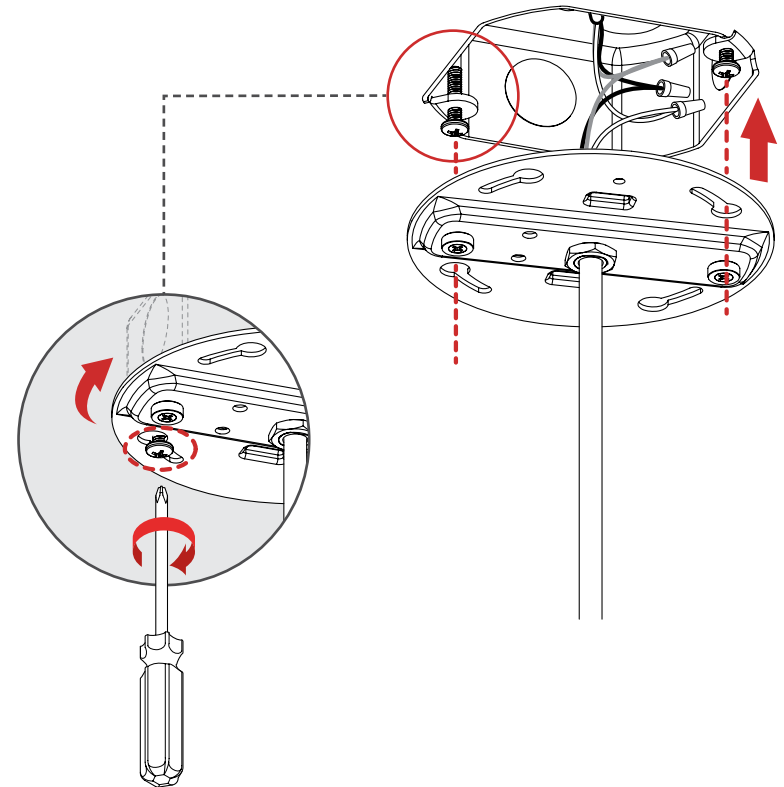


Note: Number of wires may vary.

5 MOUNT CANOPY.



4 FIX MOUNTING PLATE.

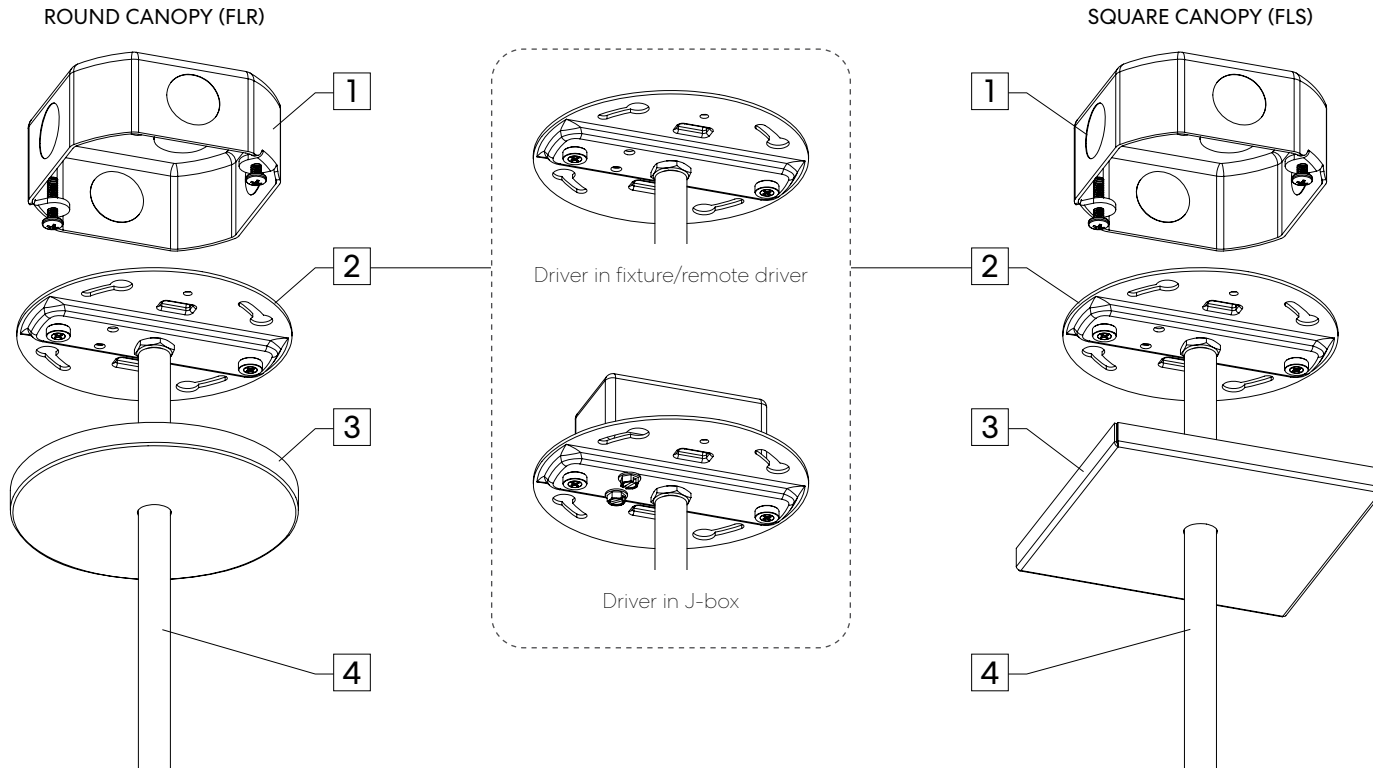


CYLINDER / CUBOID

Pendant - Flat Canopy



STEM



ITEMS LIST


| | |
|---|----------------------------|
| 1 | Standard J-box (by others) |
| 2 | Mounting plate |
| 3 | Flat canopy |
| 4 | Stem |

TOOLS REQUIRED

| |
|------------------------|
| - Phillips screwdriver |
|------------------------|

CANOPY SIZE

| | |
|---------------|--------------------------------|
| ROUND | Ø 4 1/2" Height 3/8" |
| SQUARE | 4 1/2" x 4 1/2" Height 3/8" |

 Instructions are shown with round canopy. Applicable to square canopy.



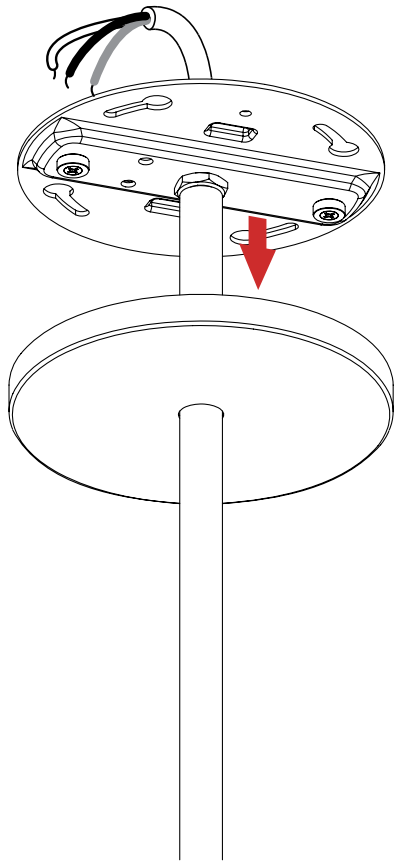
CYLINDER / CUBOID

Pendant - Flat Canopy

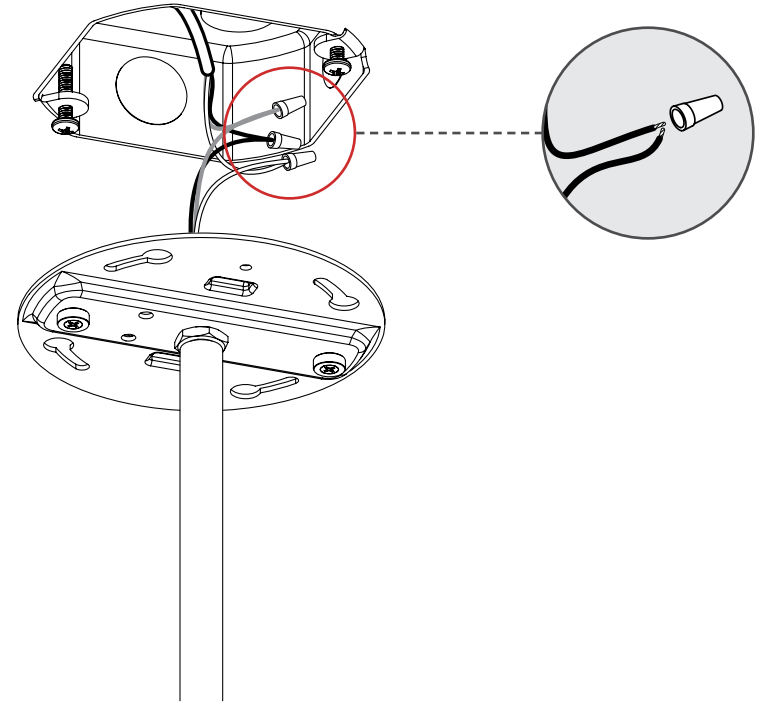


STEM

1 DETACH CANOPY.



2 MAKE ELECTRICAL CONNECTIONS.



Note: Number of wires may vary.



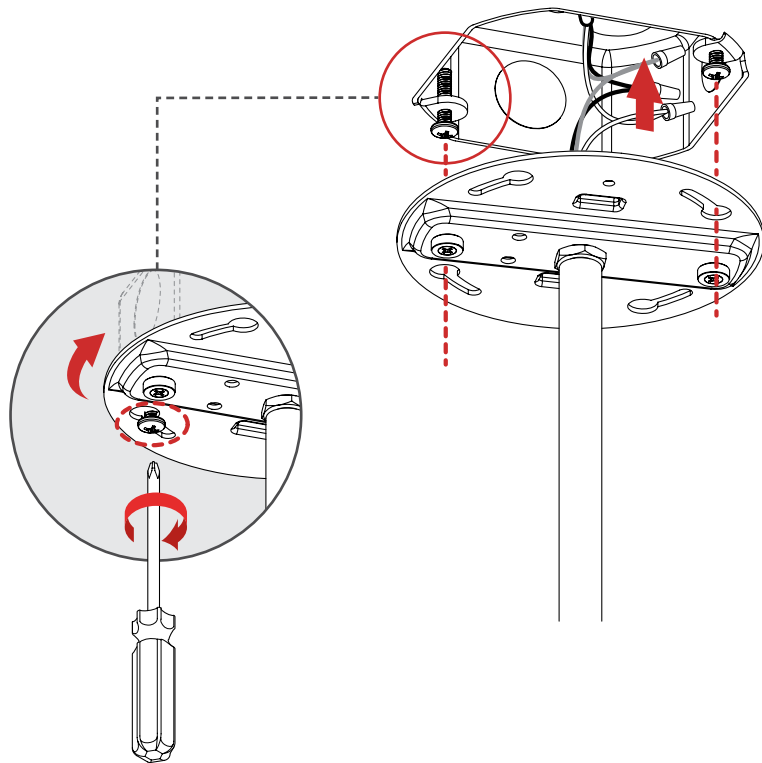
CYLINDER / CUBOID

Pendant - Flat Canopy

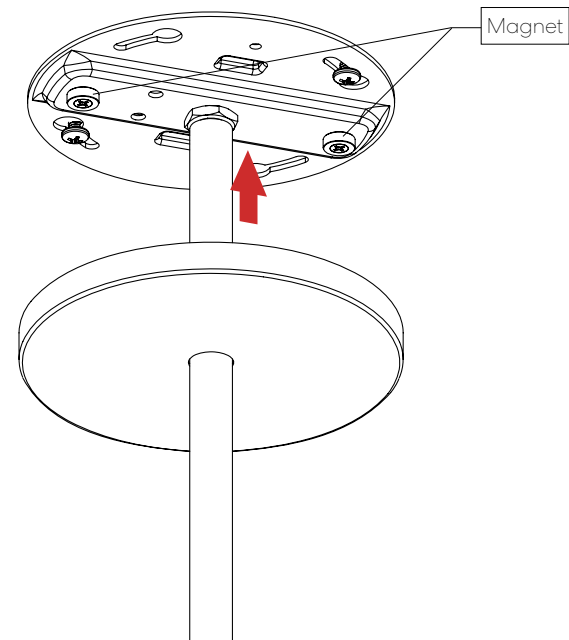


STEM

3 FIX MOUNTING PLATE.



4 MOUNT CANOPY.

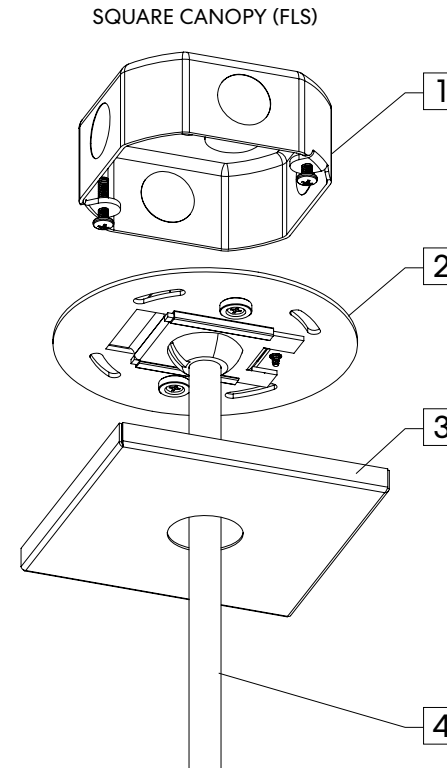
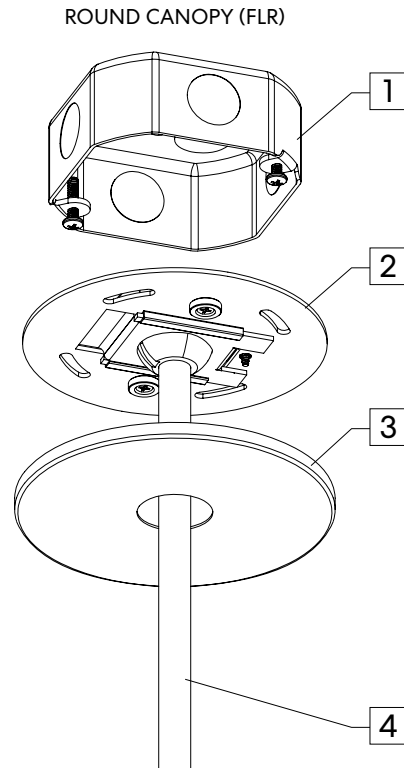


CYLINDER / CUBOID

Pendant - Flat Canopy



SWIVEL STEM



ITEMS LIST

| | |
|---|----------------------------|
| 1 | Standard J-box (by others) |
| 2 | Mounting plate |
| 3 | Flat canopy |
| 4 | Swivel stem |

TOOLS REQUIRED

- Flat head screwdriver
- Phillips screwdriver
- Power cord cutter (as required)
- Wire stripper (as required)
- Allen key 5/64" (as required)
- 1/8" drill bit (as required)
- Hacksaw (as required)

CANOPY SIZE

| | |
|--------|-------------|
| ROUND | Ø 5" |
| | Height 1/4" |
| SQUARE | 5" x 5" |
| | Height 1/4" |



Instructions are shown with round canopy.
Applicable to square canopy.



CYLINDER / CUBOID

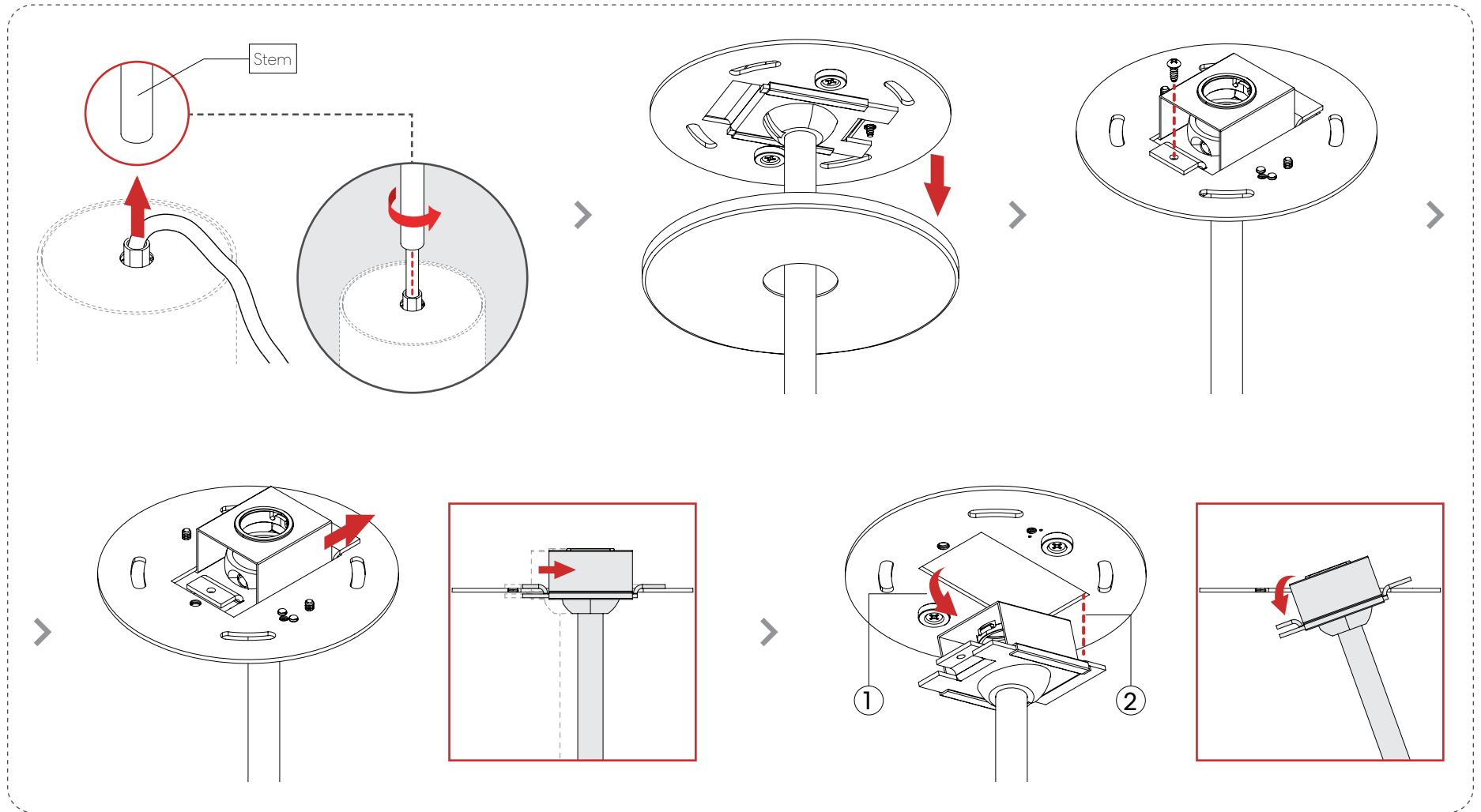
Pendant - Flat Canopy



SWIVEL STEM

1 ADJUST STEM / POWER CORD LENGTH. **OPTIONAL**

1-1 Detach swivel stem assembly.



CYLINDER / CUBOID

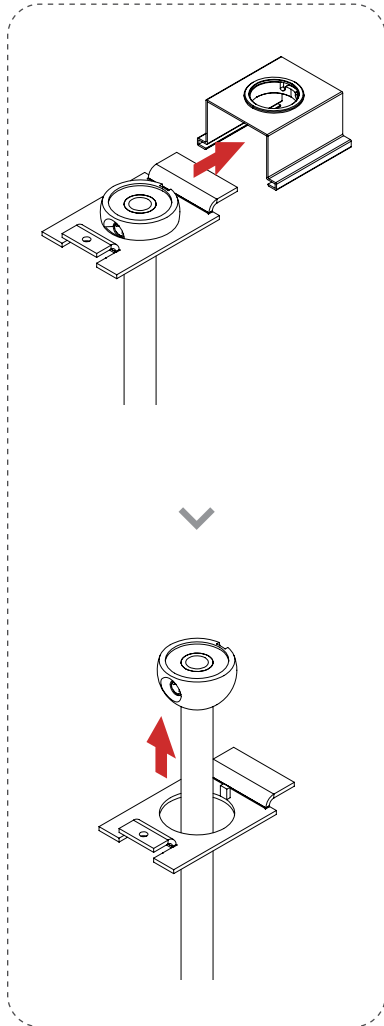
Pendant - Flat Canopy



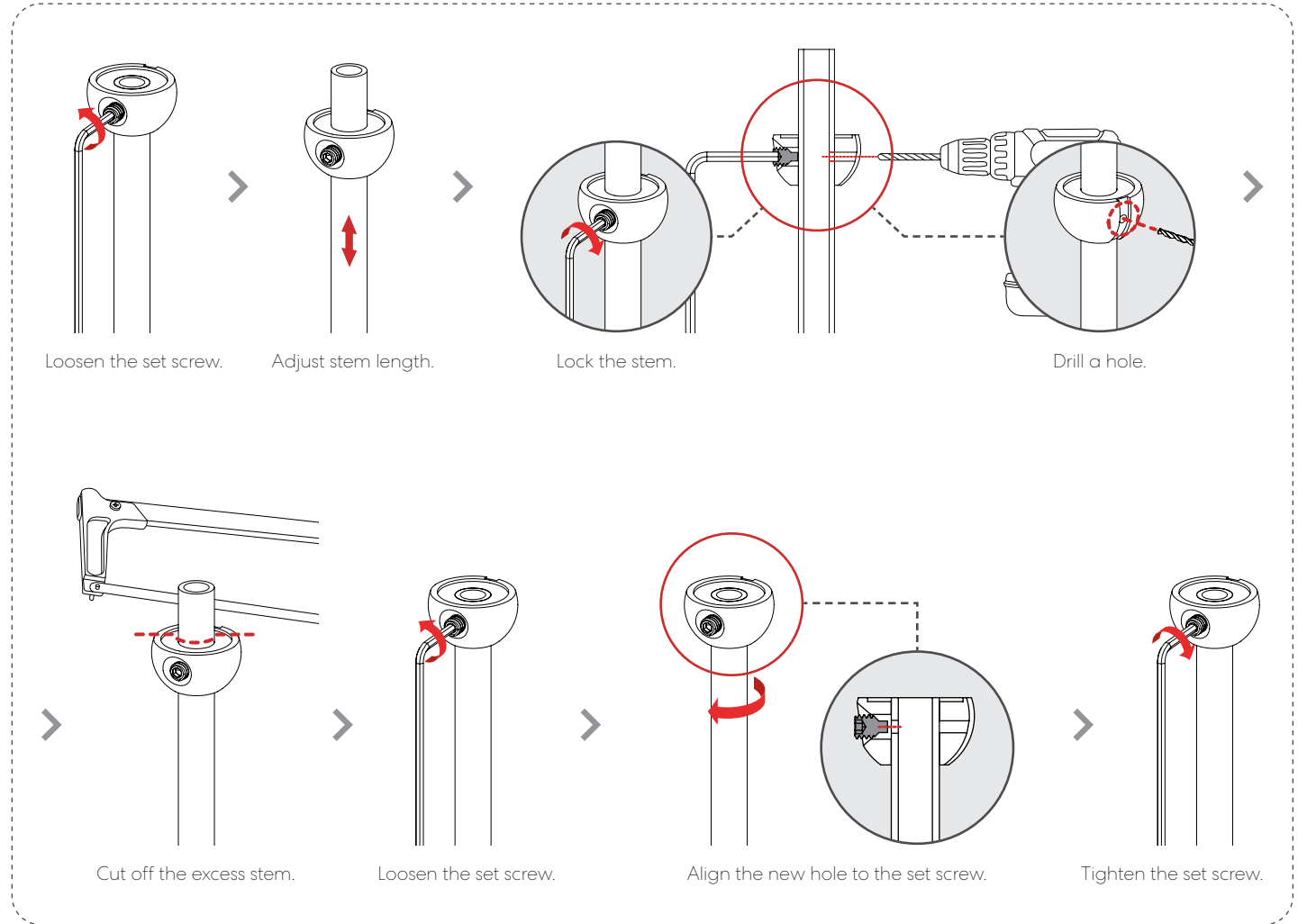
SWIVEL STEM

1 ADJUST STEM / POWER CORD LENGTH. **OPTIONAL**

1-2 Detach swivel stem.



1-3 Adjust stem length.



CYLINDER / CUBOID

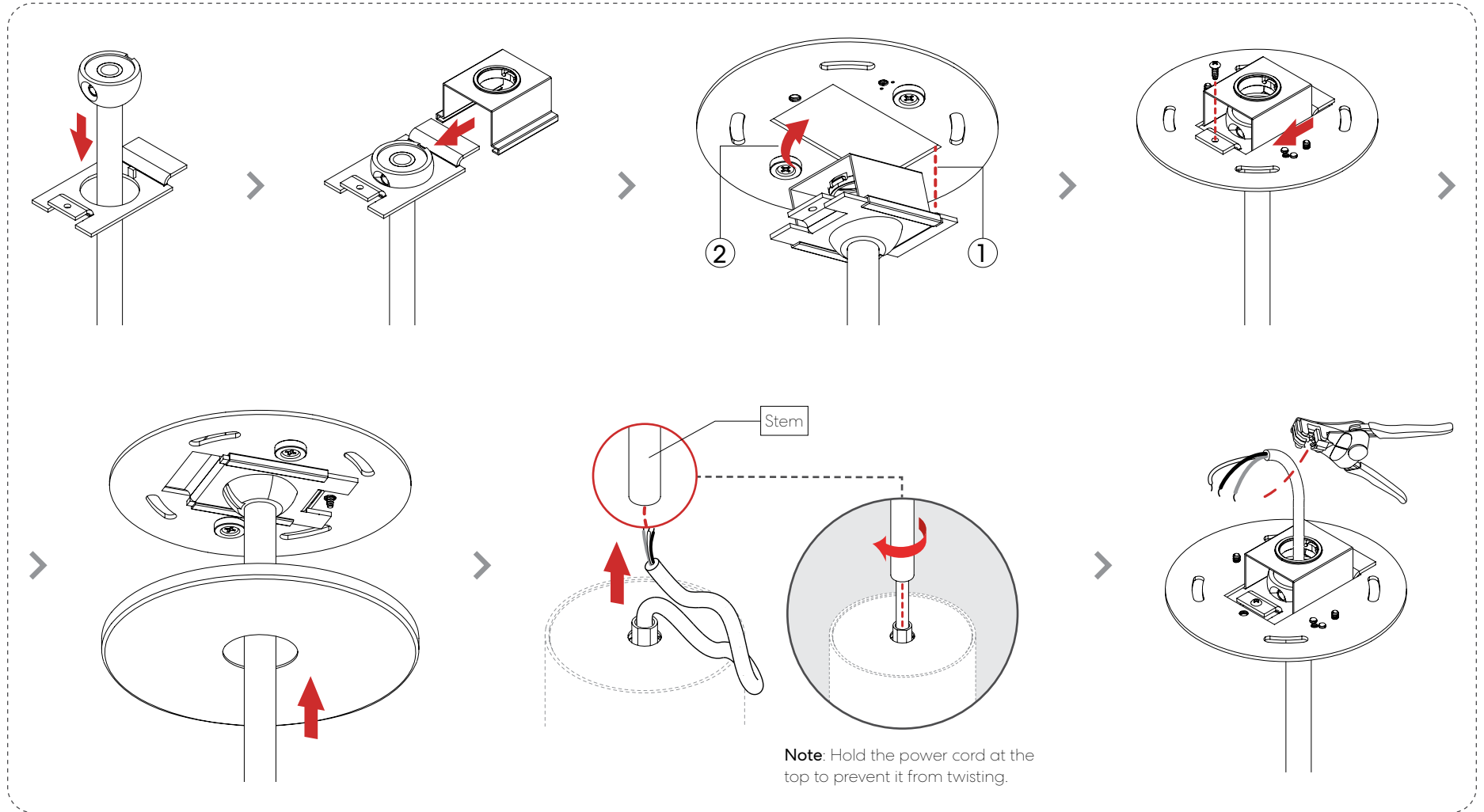
Pendant - Flat Canopy



SWIVEL STEM

1 ADJUST STEM / POWER CORD LENGTH. **OPTIONAL**

1-4 Reassemble swivel stem & adjust power cord length.



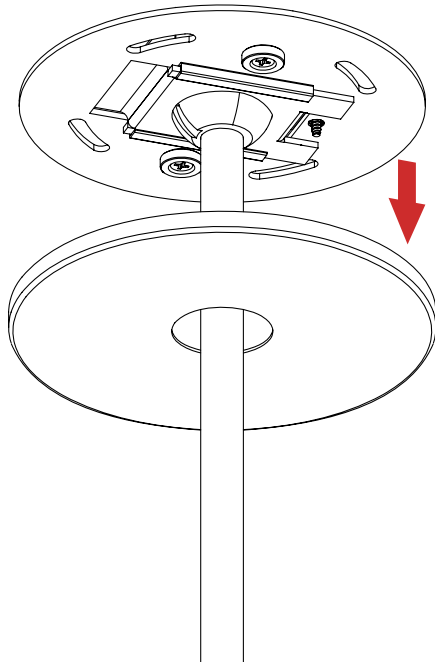
CYLINDER / CUBOID

Pendant - Flat Canopy

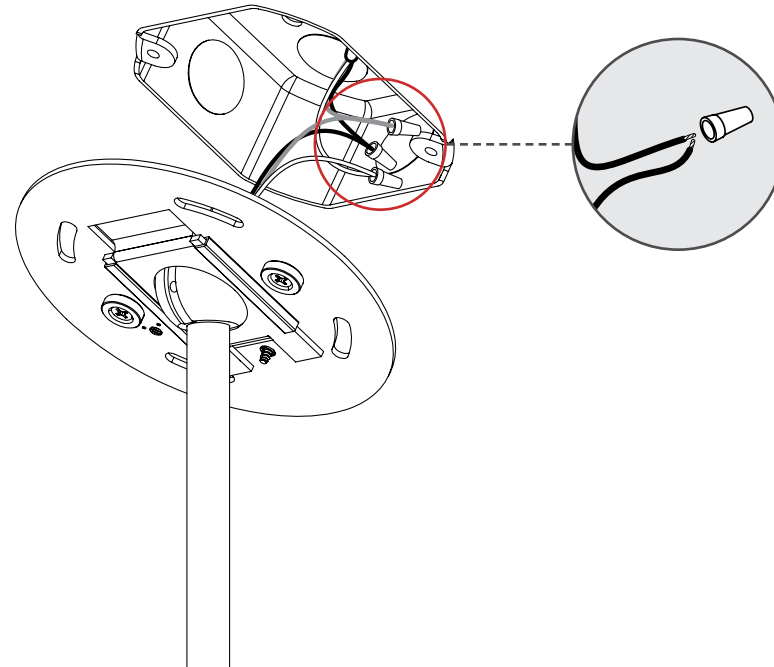


SWIVEL STEM

2 DETACH CANOPY.



3 MAKE ELECTRICAL CONNECTIONS.



Note: Number of wires may vary.

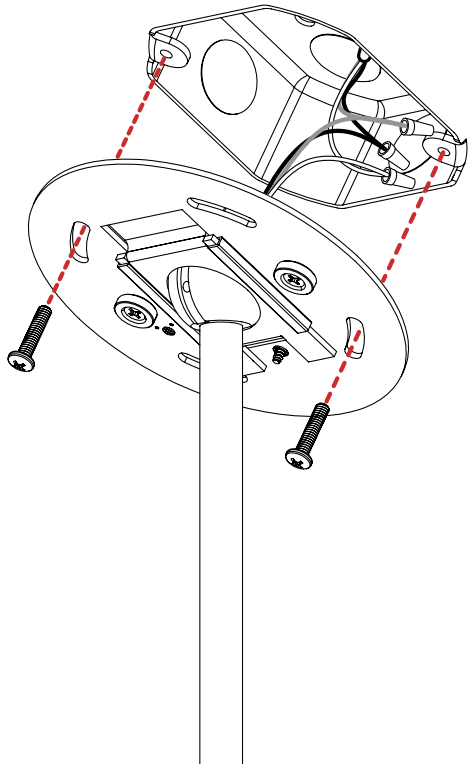
CYLINDER / CUBOID

Pendant - Flat Canopy

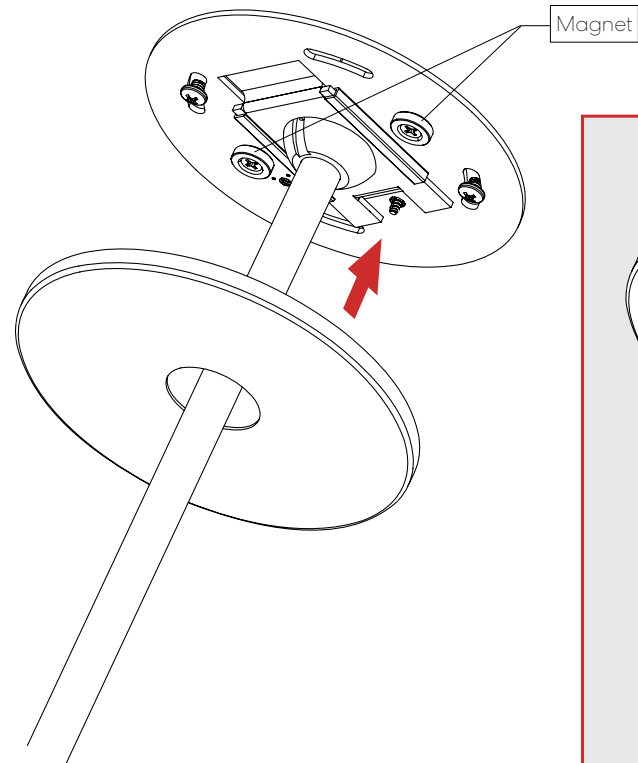


SWIVEL STEM

4 FIX MOUNTING PLATE.



5 MOUNT CANOPY.

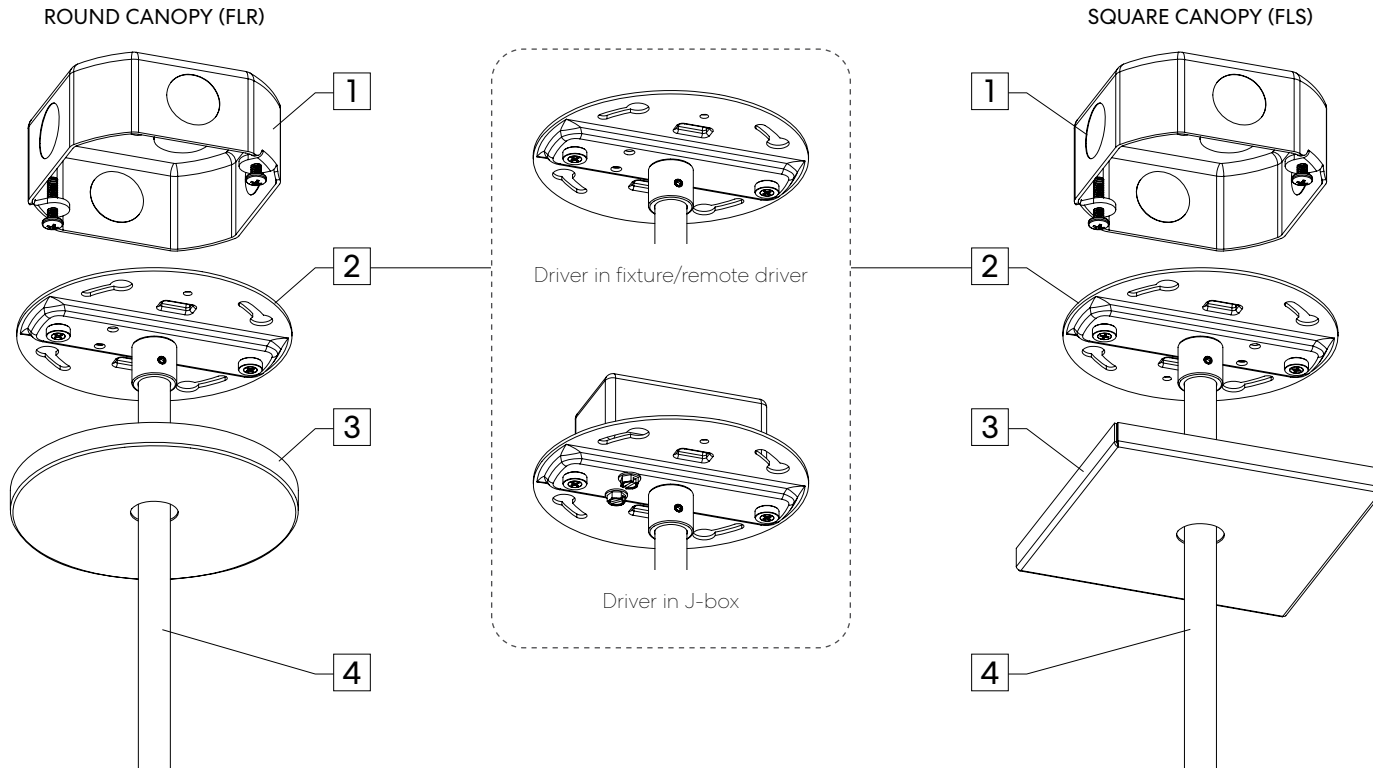


CYLINDER / CUBOID

Pendant - Flat Canopy



FIELD-CUTTABLE STEM



ITEMS LIST


| | |
|---|----------------------------|
| 1 | Standard J-box (by others) |
| 2 | Mounting plate |
| 3 | Flat canopy |
| 4 | Field-cuttable stem |

TOOLS REQUIRED

- Flat head screwdriver
- Phillips screwdriver
- Power cord cutter
- Wire stripper
- Allen key 5/64"
- 1/8" drill bit
- Hacksaw

CANOPY SIZE

| | |
|---------------|--------------------------------|
| ROUND | Ø 4 1/2" Height 3/8" |
| SQUARE | 4 1/2" x 4 1/2" Height 3/8" |

 Instructions are shown with round canopy. Applicable to square canopy.



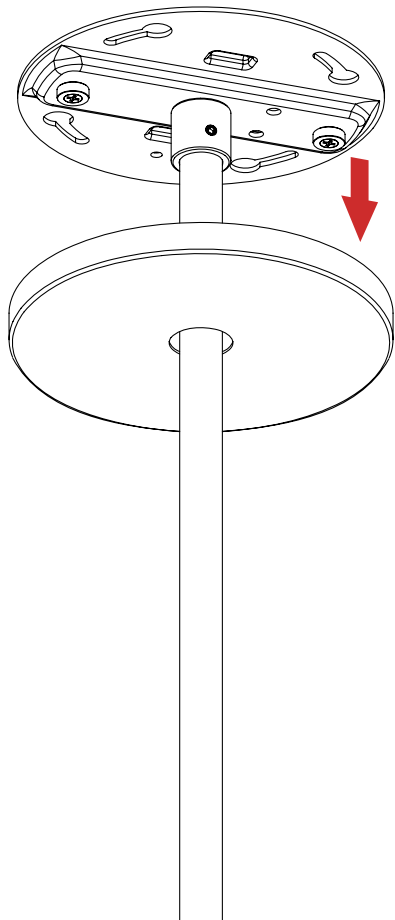
CYLINDER / CUBOID

Pendant - Flat Canopy



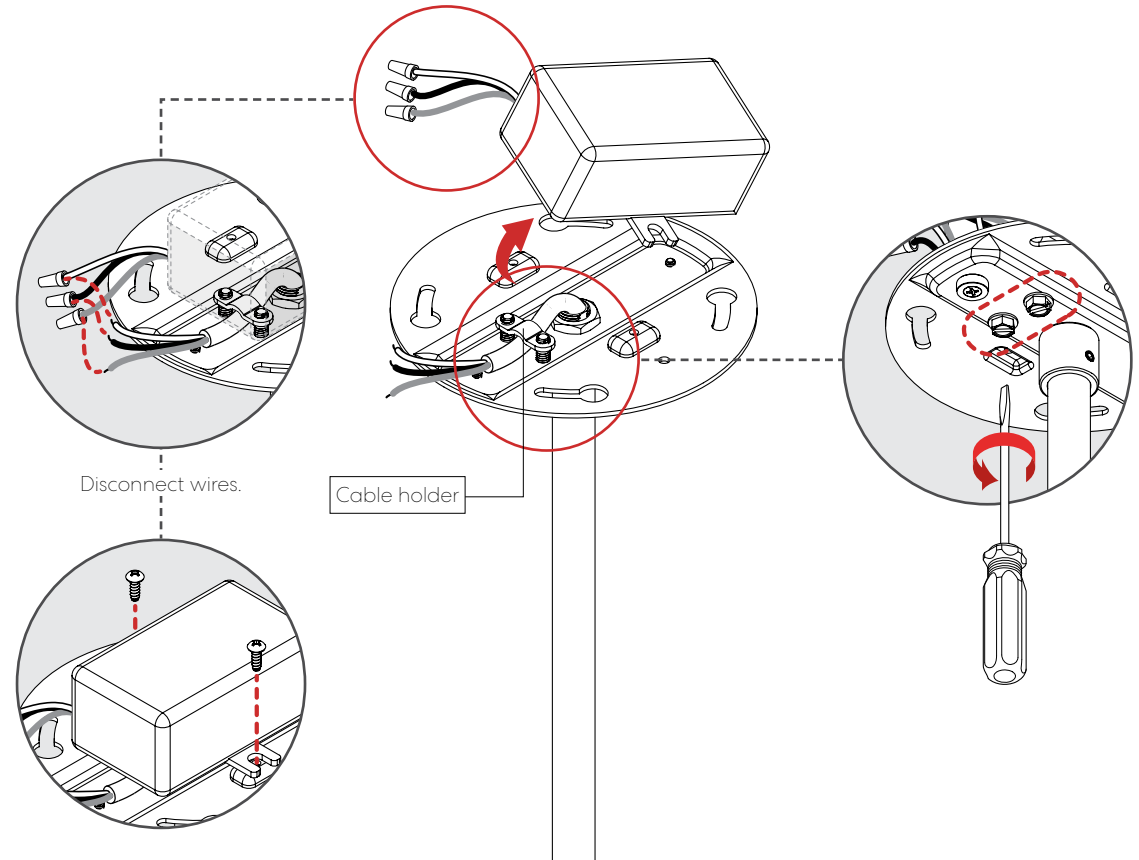
FIELD-CUTTABLE STEM

1 DETACH CANOPY.



2 REMOVE DRIVER AND UNTIGHTEN CABLE HOLDER. **DRIVER IN J-BOX ONLY**

Note: If the driver is in the fixture or remote, skip to step 3.



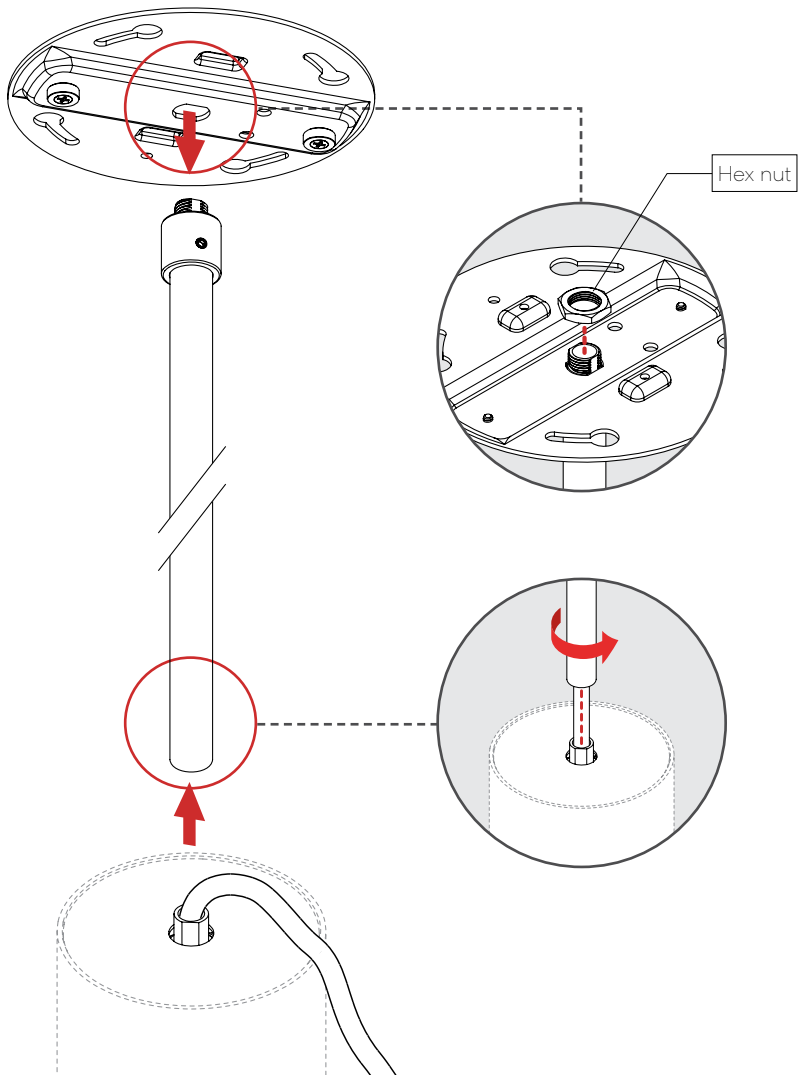
CYLINDER / CUBOID

Pendant - Flat Canopy

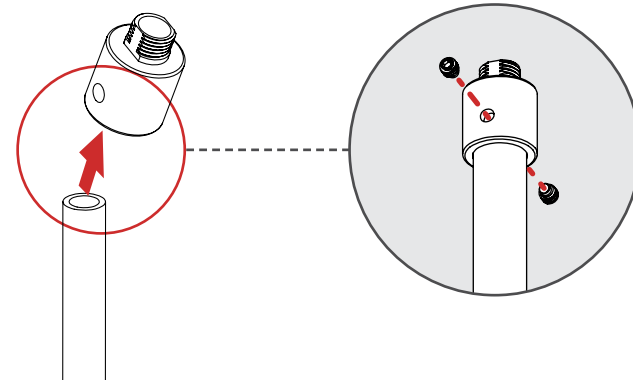


FIELD-CUTTABLE STEM

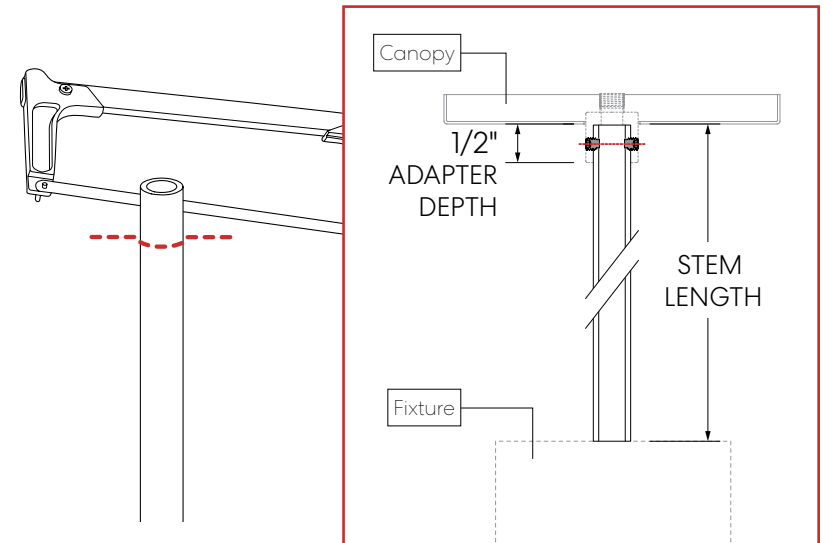
3 DETACH STEM.



4 DETACH ADAPTER.



5 CUT STEM.



Note: Clean up the area to eliminate any sharp edges



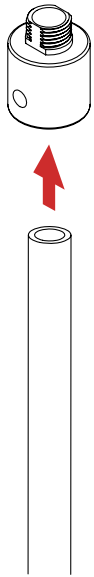
CYLINDER / CUBOID

Pendant - Flat Canopy

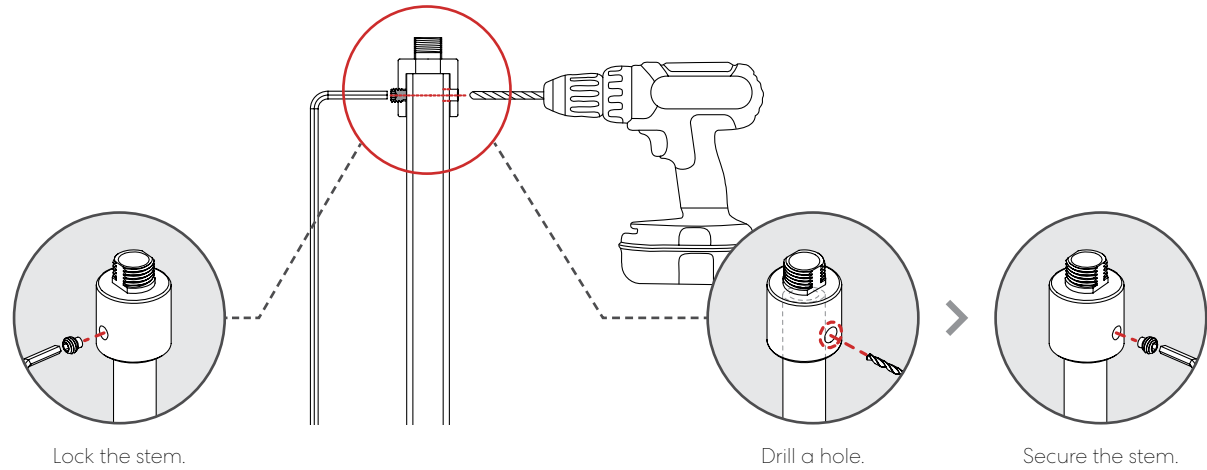


FIELD-CUTTABLE STEM

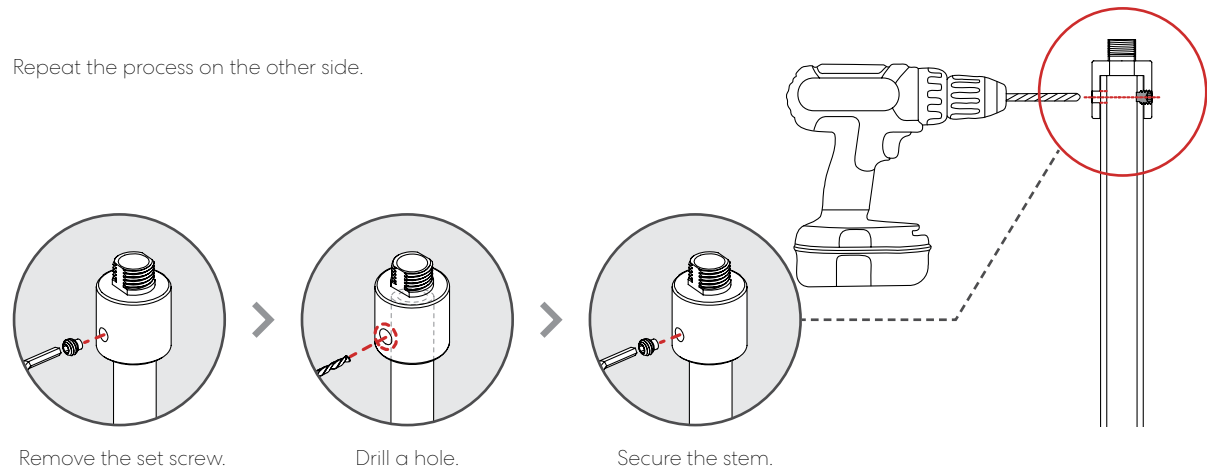
6 INSERT STEM INTO ADAPTER.



7 FIX STEM TO ADAPTER.



Repeat the process on the other side.



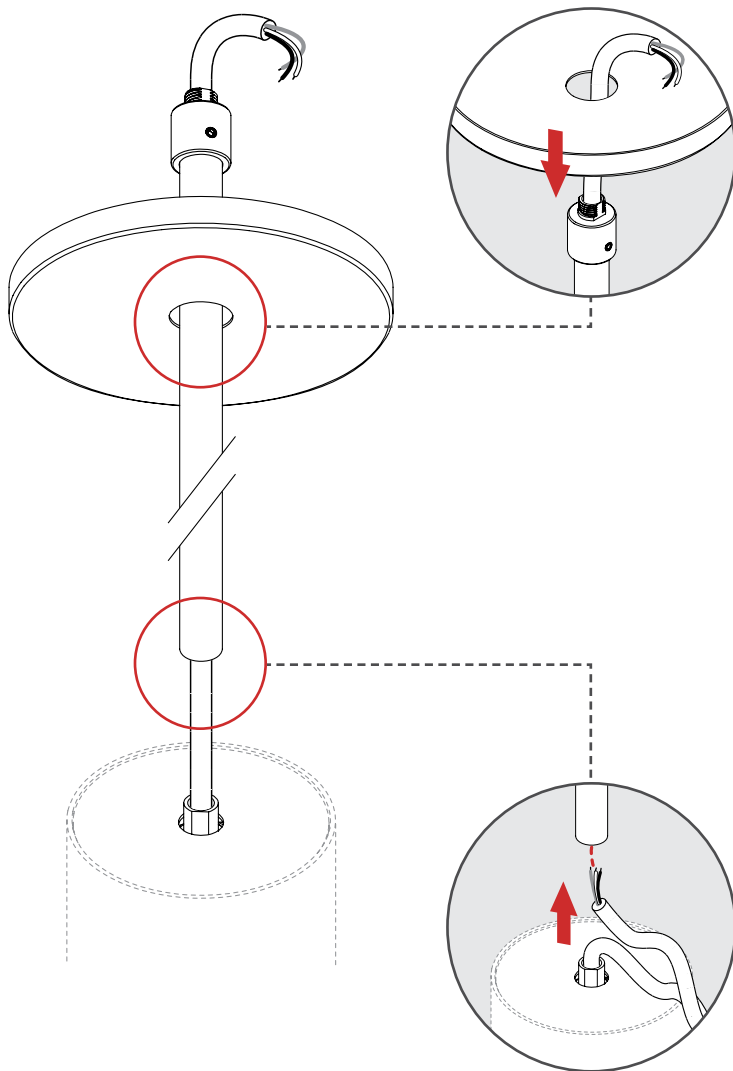
CYLINDER / CUBOID

Pendant - Flat Canopy

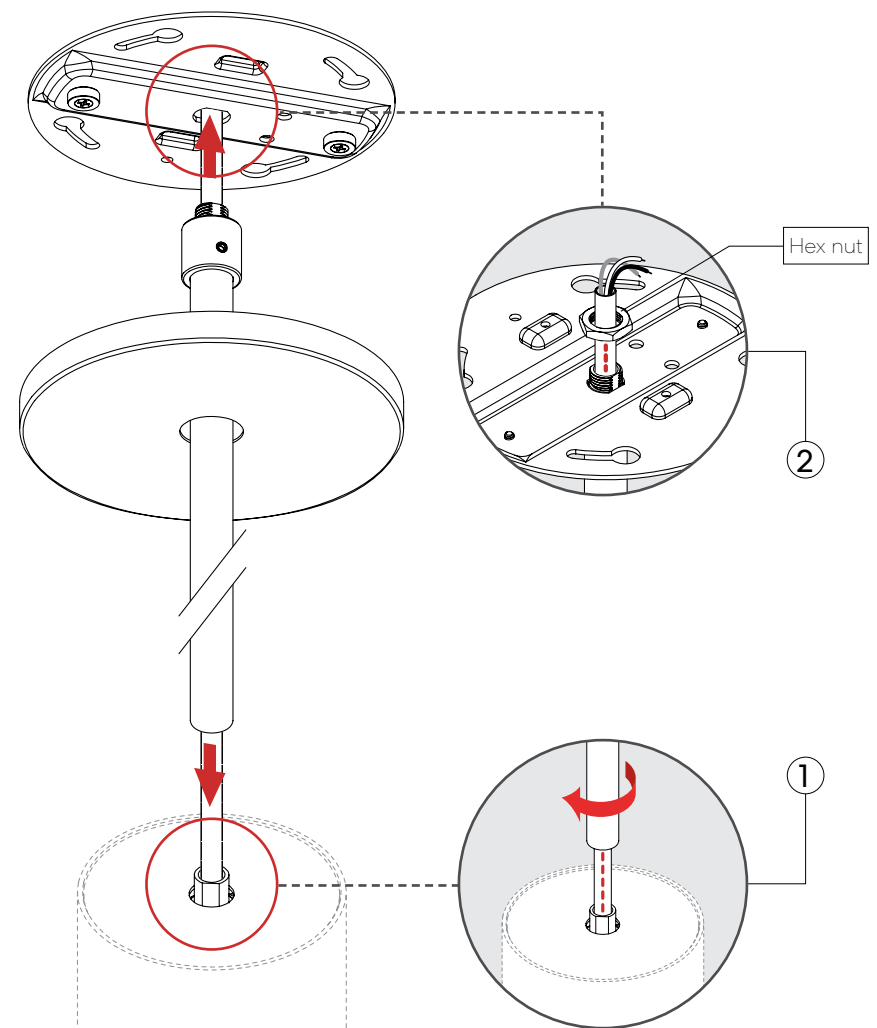


FIELD-CUTTABLE STEM

8 INSERT CANOPY AND POWER CORD.



9 REINSTALL STEM ONTO FIXTURE AND MOUNTING PLATE.



Note: Hold the power cord at the top to prevent it from twisting.

CYLINDER / CUBOID

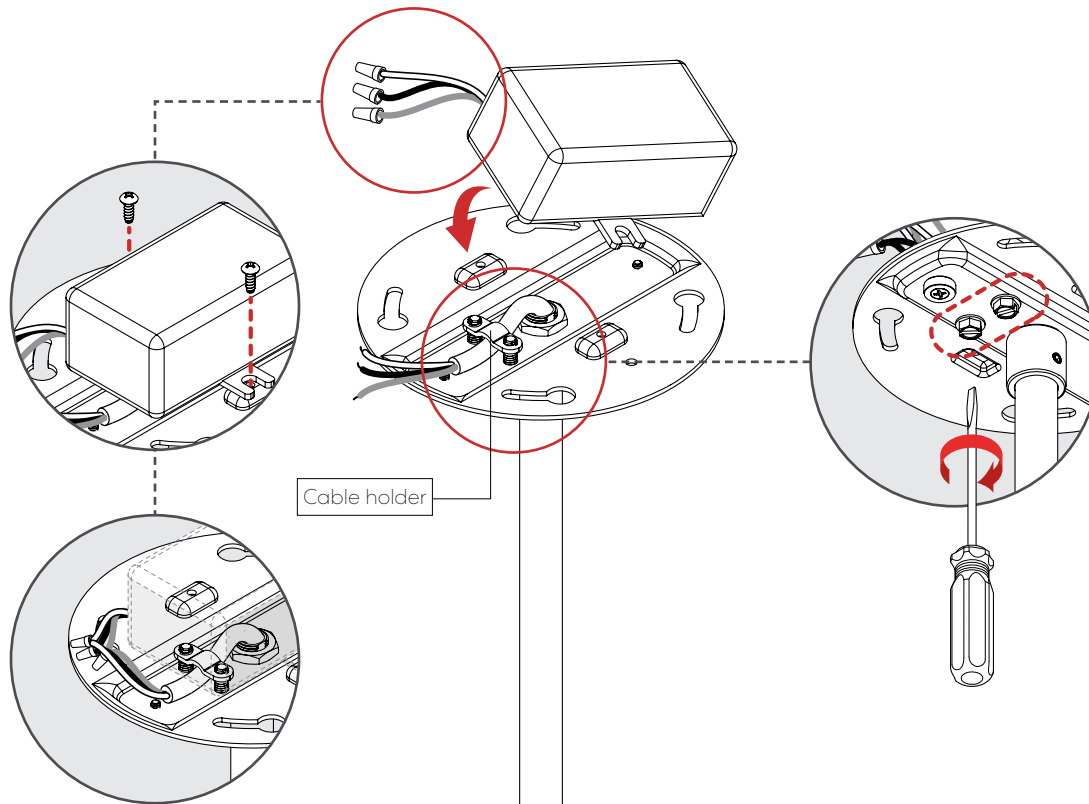
Pendant - Flat Canopy



FIELD-CUTTABLE STEM

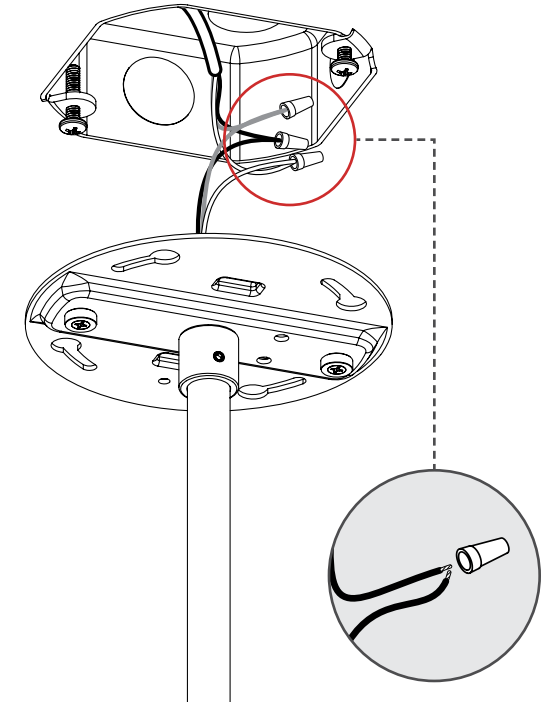
10 TIGHTEN CABLE HOLDER AND REINSTALL DRIVER. DRIVER IN J-BOX ONLY

Note: If the driver is in the fixture or remote, skip to step 11.



Reconnect wires.

11 MAKE ELECTRICAL CONNECTIONS.



Note: Number of wires may vary.

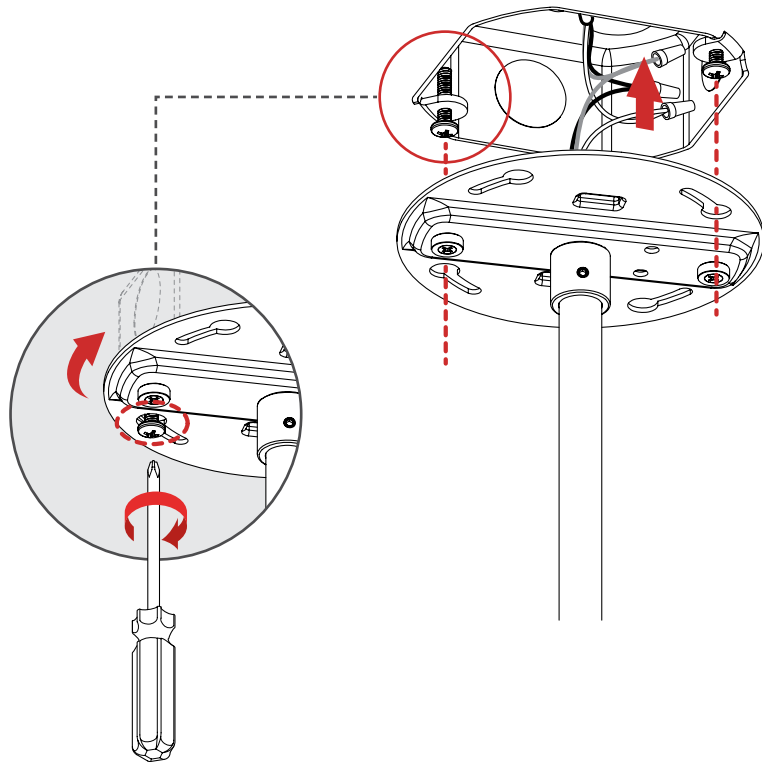
CYLINDER / CUBOID

Pendant - Flat Canopy



FIELD-CUTTABLE STEM

12 FIX MOUNTING PLATE.



13 MOUNT CANOPY.

