

ECANA 3-4

Downlights - Recessed Open Frame (OF), IC Rated (IC), Chicago Plenum (CP)



! This product must be installed in accordance with the National Electrical Code and all applicable local codes, by a person familiar with the construction and operation of the product, and the hazards involved. Proper grounding is required for safety.

Ce produit doit être installé suivant le code national de l'électricité, ainsi que tous les codes locaux applicables, par une personne familière avec la construction et le fonctionnement du produit, ainsi que tous les risques qui y sont associés. La mise à terre électrique est obligatoire pour la sécurité.

! Wire dimming conductors as Class 1.

💡 Shown with 3" round fixture. Applicable to all types and shapes for 3" and 4".

OVERVIEW

! Warnings

Install per national installation and accident prevention regulations.

Clearance between sides of luminaire and parts of building must be 1/2" minimum; clearance to insulating materials to be 3" minimum, unless luminaires is IC rated.

Fixtures must be installed in applications where the ambient temperature does not exceed 40° C during normal operation.

Do not connect or disconnect LED board wire connector when the fixture is energized. This may result in permanent damage to the LED array.

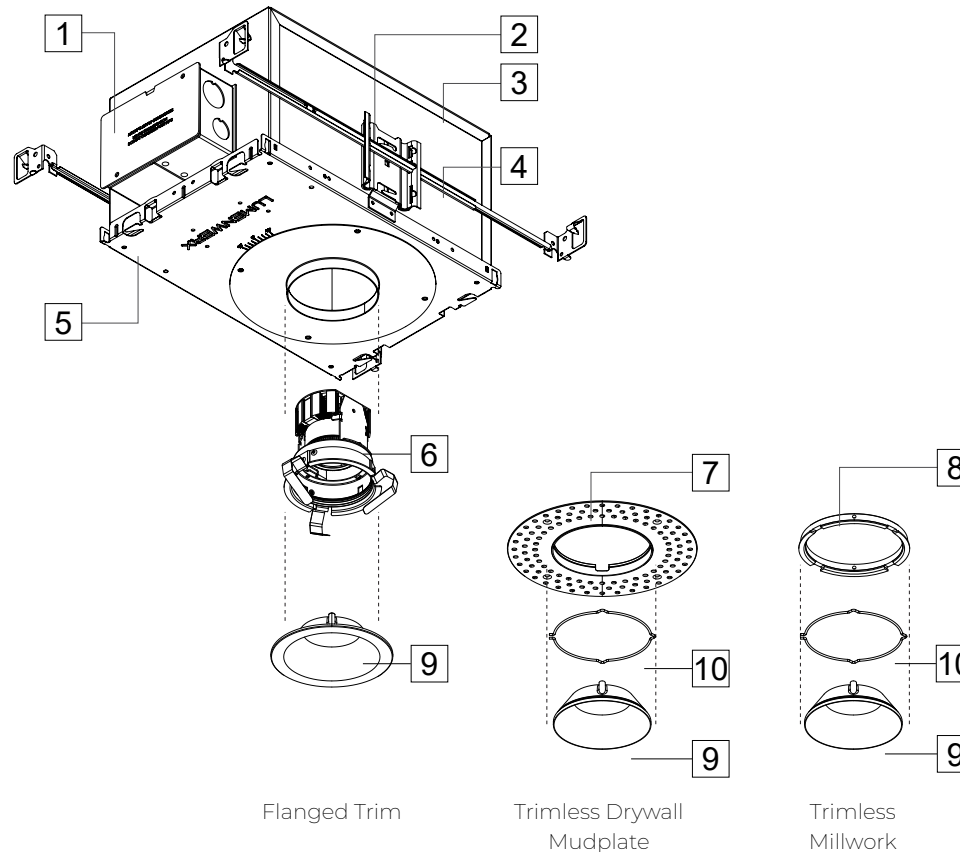
Warranty claims will not be accepted if incorrect driver or light element is used.

Do not cover the light element lens or heatsink with any materials or adhesive tapes.

💡 For electrical connections, please refer to the [wiring diagram guide](#).



💡 For remote driver box installation instructions, please refer to the [remote driver installation sheet](#).



Index

Installation Types.....	P.2
Mounting Options.....	P.3
Electrical Connection.....	P.4
Ceiling Preparation.....	P.5
Light Element & Baffle.....	P.6
Adjustability.....	P.8

🔧 Tools Required

- Allen Key 1/16" ¹
- Adjustable Hole Cutter
- Drywall Knife ²
- Hammer

¹ For millwork adapter only.
² Or router.

Items List

- [1] - Electrical Box
- [2] - Butterfly Bracket
- [3] - IC/CP Box
- [4] - Hanger Bar
- [5] - Mounting Frame
- [6] - Light Element
- [7] - Mudplate
- [8] - Millwork Adapter
- [9] - Baffle
- [10] - Spring Ring



ECANA 3-4

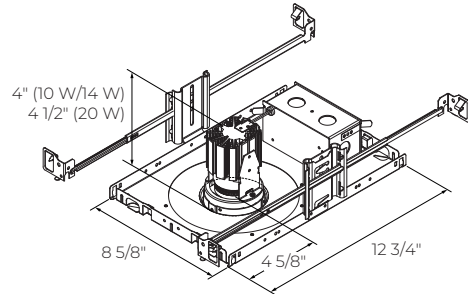
Downlights - Recessed Open Frame (OF), IC Rated (IC), Chicago Plenum (CP)



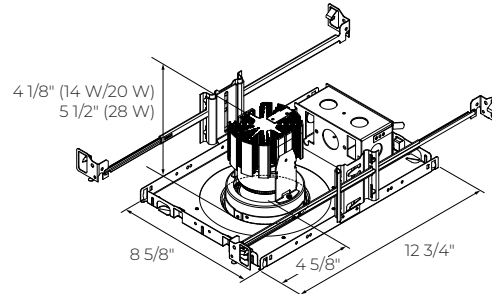
OVERVIEW - INSTALLATION TYPES

OF - Open Frame Type Non-IC

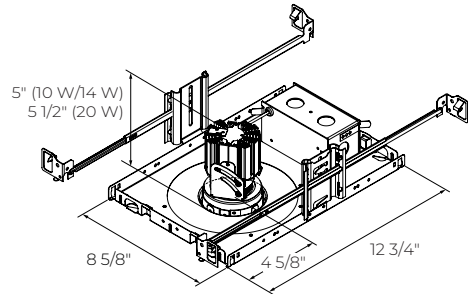
3" DOWNLIGHT (FIXED) AND WALL WASH



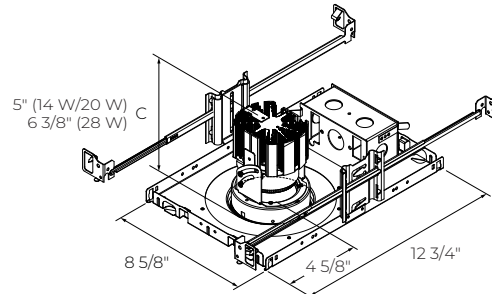
4" DOWNLIGHT (FIXED) AND WALL WASH



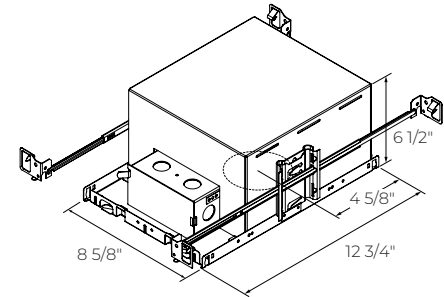
3" ADJUSTABLE



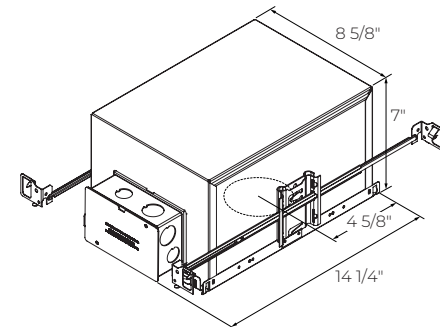
4" ADJUSTABLE



IC - Type-IC



CP - Chicago Plenum Type-IC (CCEA) AT - Airtight Type-IC



ECANA 3-4

Downlights - Recessed Open Frame (OF), IC Rated (IC), Chicago Plenum (CP)

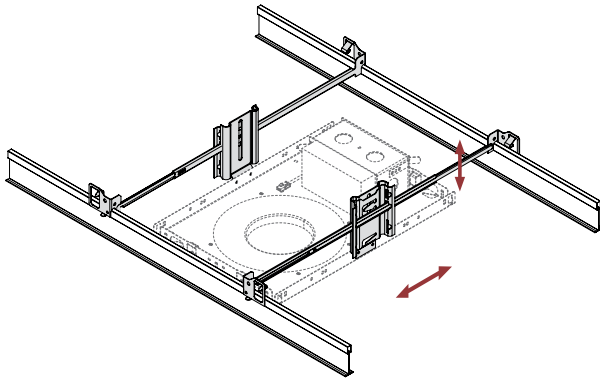


MOUNTING OPTIONS

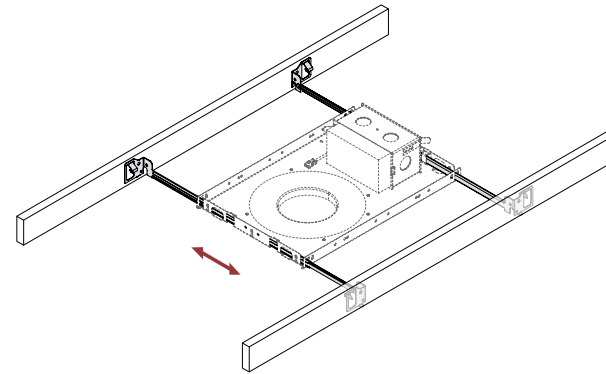
Install the housing by referring to the installation instructions in the [downlight mounting option guide](#).



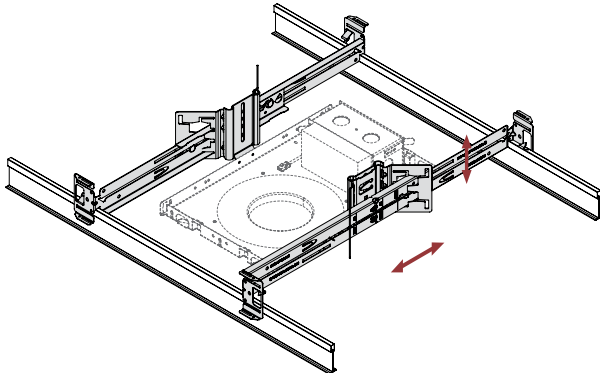
ASB - ADJUSTABLE STANDARD BAR HANGERS



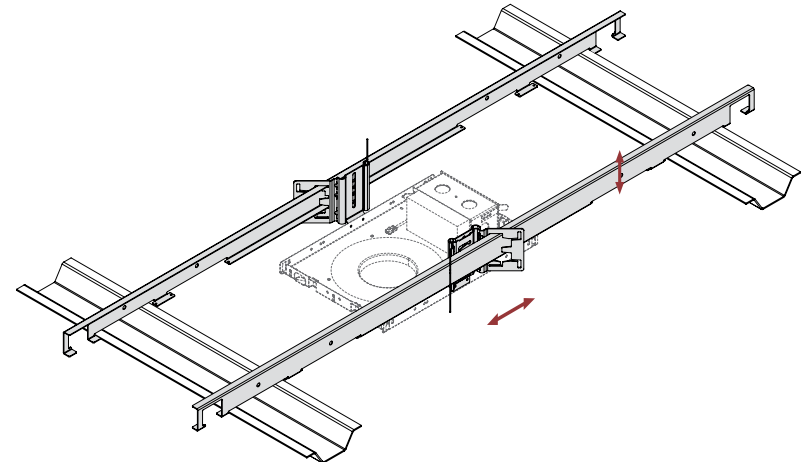
FMB - FLUSH MOUNT BARS



ACB - ADJUSTABLE COMMERCIAL BAR HANGERS



AHC - ADJUSTABLE HAT CHANNEL BARS



ECANA 3-4

Downlights - Recessed Open Frame (OF), IC Rated (IC), Chicago Plenum (CP)

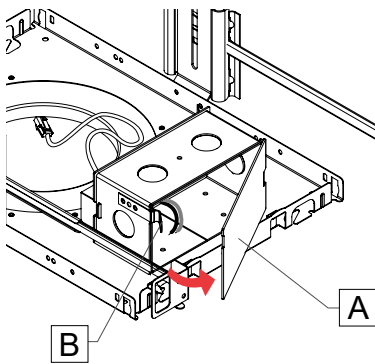


ELECTRICAL CONNECTION

1 UNSNAP COVER.

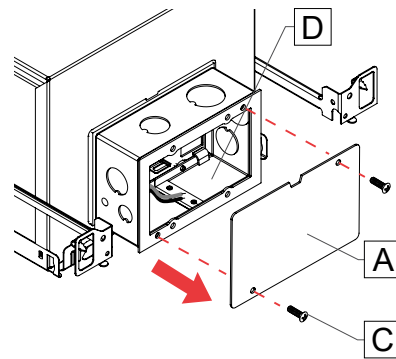
OPEN FRAME / TYPE-IC

Unsnap the cover [A] from the hook [B] and pivot the cover.



CHICAGO PLENUM

Remove the screws [C] to lift the cover [A] and access the electrical box [D].

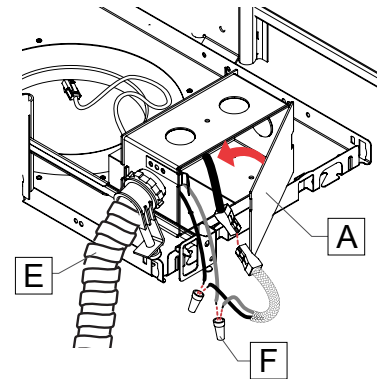


2 MAKE ELECTRICAL CONNECTIONS.

Install BX cable [E] to knockout and make the electrical connections with the marrettes [F].

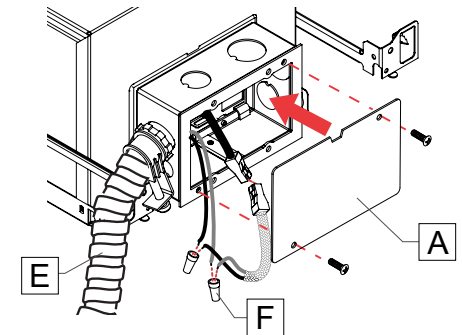
OPEN FRAME / TYPE-IC

Snap the cover [A] back to finish.



CHICAGO PLENUM

Install the cover [A] back with the screws.



ECANA 3-4

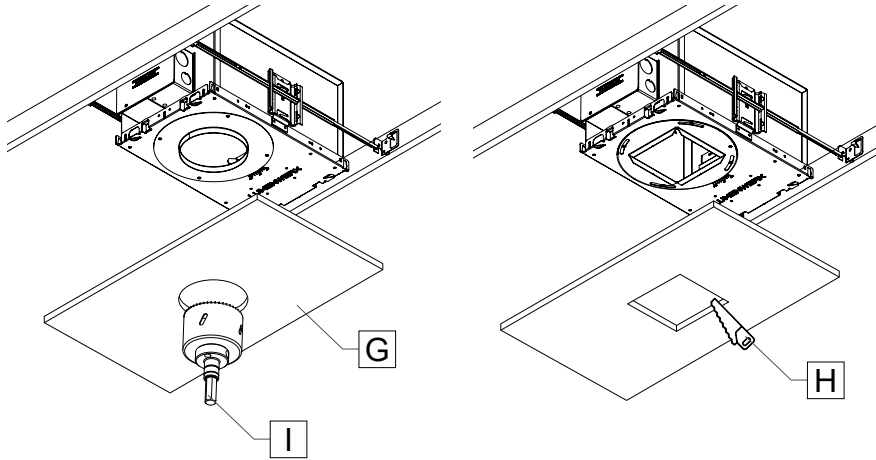
Downlights - Recessed Open Frame (OF), IC Rated (IC), Chicago Plenum (CP)



CEILING PREPARATION

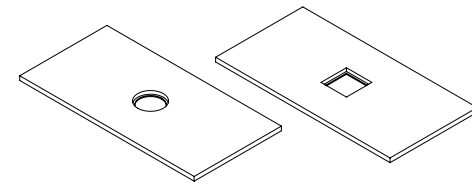
3 CEILING CUT-OUTS.

Cut opening in drywall ceiling [G] or grid ceiling tile with drywall knife [H] or router [I].



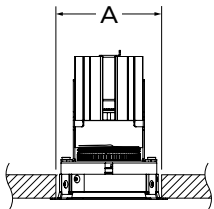
Millwork ceiling

For millwork ceiling, the collar opening is a step-hole that is at the back face of the ceiling.

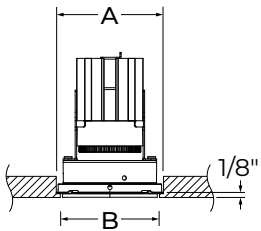


CUT-OUT DIMENSIONS

TRM/TLMP



TLMW



FIXED / WALL WASH		ADJUSTABLE	
3"	4"	3"	4"

ROUND

A	Ø 3 1/2"	Ø 4 1/2"	Ø 3 1/2"	Ø 4 1/2"
B	Ø 3 1/16" with 1/8" lip	Ø 4 1/16" with 1/8" lip	Ø 3 1/16" with 1/8" lip	Ø 4 1/16" with 1/8" lip

SQUARE

A	3 1/2" x 3 1/2"	4 1/2" x 4 1/2"	3 1/2" x 3 1/2"	4 1/2" x 4 1/2"
B	Ø 3 1/16" with 1/8" lip	Ø 4 1/16" with 1/8" lip	3 1/16" x 3 1/16" with 1/8" lip	4 1/16" x 4 1/16" with 1/8" lip

MAXIMUM CEILING THICKNESS		
	Downlight (fixed) and wall wash	Adjustable
TRM/ TLMP	1 3/8"	1 1/2"
TLMW	5/8"	5/8"



ECANA 3-4

Downlights - Recessed Open Frame (OF), IC Rated (IC), Chicago Plenum (CP)



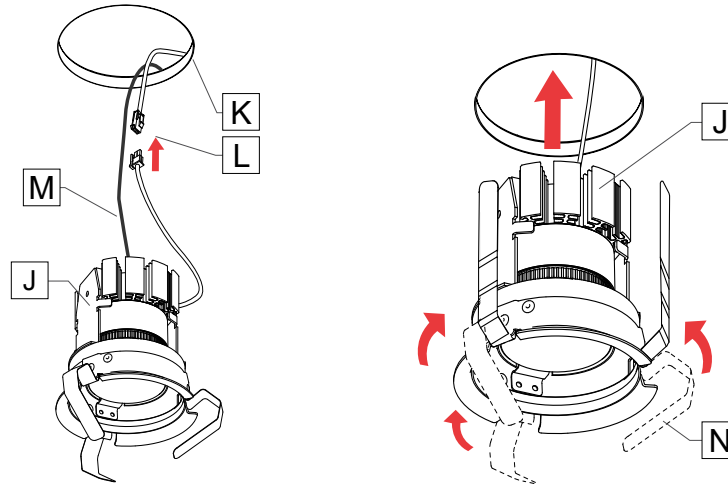
LIGHT ELEMENT & BAFFLE

4 INSTALL LIGHT ELEMENT.

FLANGED TRIM

Connect the light element [J] to driver [K] in ceiling with quick connectors [L]. Attach the safety cable [M] to a suitable point in the ceiling.

Squeeze spring clips [N] upwards onto light element [J]. Insert light element into ceiling until spring clips [N] snap back above the ceiling.

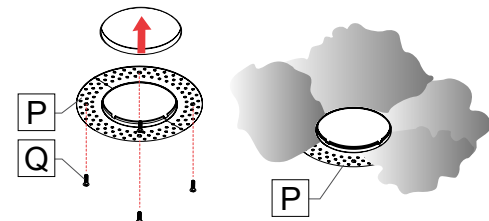


TRIMLESS MUDPLATE

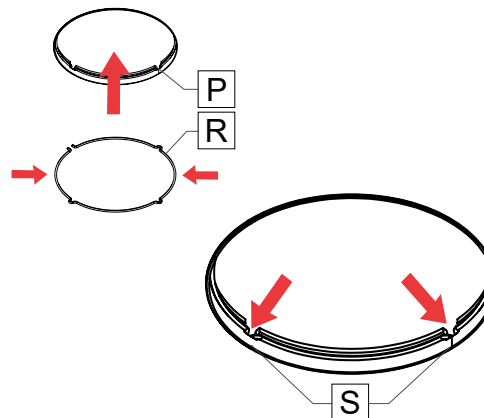
Attach mudplate [P] to ceiling with screws [Q]. Plaster and sand over mudplate [P].

Connect the light element [J] to driver [K] in ceiling with quick connectors [L]. Attach the safety cable [M] to a suitable point in the ceiling.

Insert light element [J] into opening.



Squeeze spring ring [R] into the mudplate [P] at the edge. Spring ring will snap into the mudplate notches [S] around the mudplate edge.

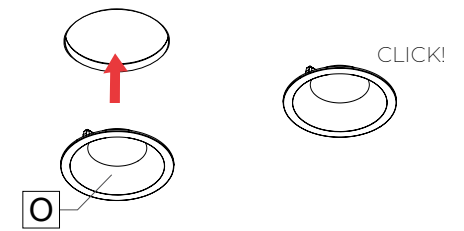


5 INSTALL BAFFLE.

FLANGED TRIM

Snap in baffles [O] in place into ceiling opening until audible click is heard.

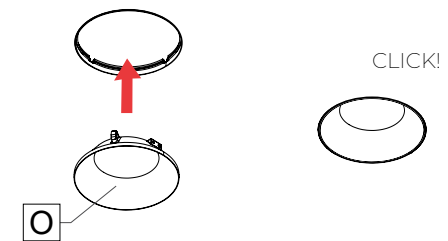
Note: Before installing baffle on adjustable models, see page 6 for light element adjustment instructions (if required).



TRIMLESS MUDPLATE

Snap in baffles [O] in place into ceiling opening until audible click is heard. Edge of the trim should be flush with the surface.

Note: Before installing baffle on adjustable models, see page 6 for light element adjustment instructions (if required).



ECANA 3-4

Downlights - Recessed Open Frame (OF), IC Rated (IC), Chicago Plenum (CP)

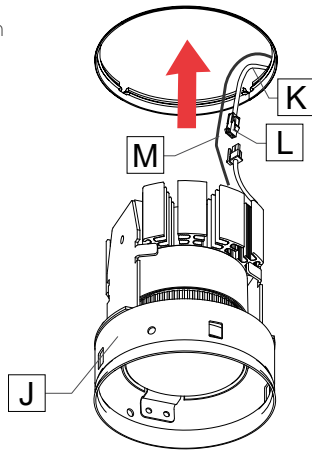


4 INSTALL LIGHT ELEMENT.

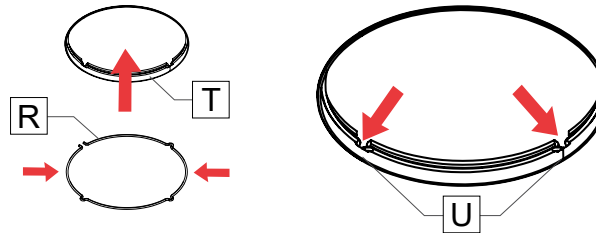
TRIMLESS MILLWORK

Connect the light element [J] to driver [K] in ceiling with quick connectors [L]. Attach the safety cable [M] to a suitable point in the ceiling.

Insert light element into the ceiling opening.



Squeeze spring ring [R] into the millwork adapter [T] to keep the light module in place. Spring ring will snap into the millwork adapter notches [U] around the millwork adapter edge.

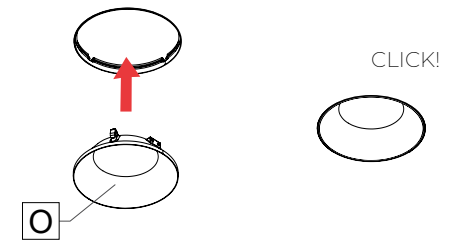


5 INSTALL BAFFLE.

TRIMLESS MILLWORK

Snap in baffles [O] in place into ceiling opening until audible click is heard. Edge of the trim should be flush with the surface.

Note: Before installing baffle on adjustable models, see page 6 for light element adjustment instructions (if required).



ECANA 3-4

Downlights - Recessed Open Frame (OF), IC Rated (IC), Chicago Plenum (CP)



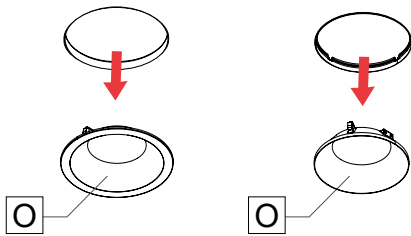
LIGHT ELEMENT ADJUSTMENT

1 REMOVE BAFFLE.

Remove baffle [O] from ceiling.

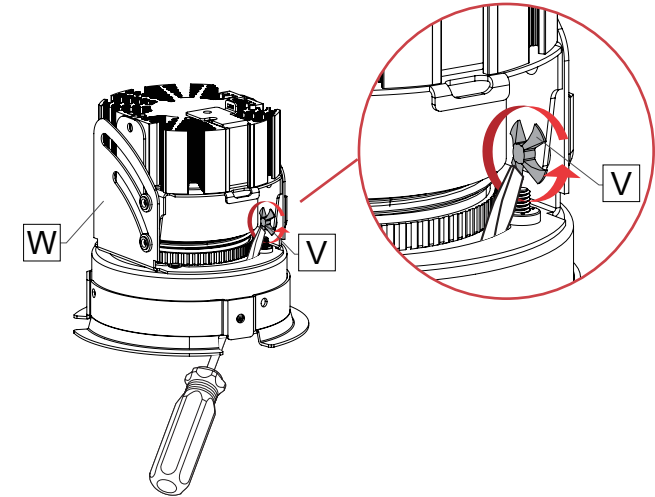
FLANGED TRIM

TRIMLESS MUDPLATE



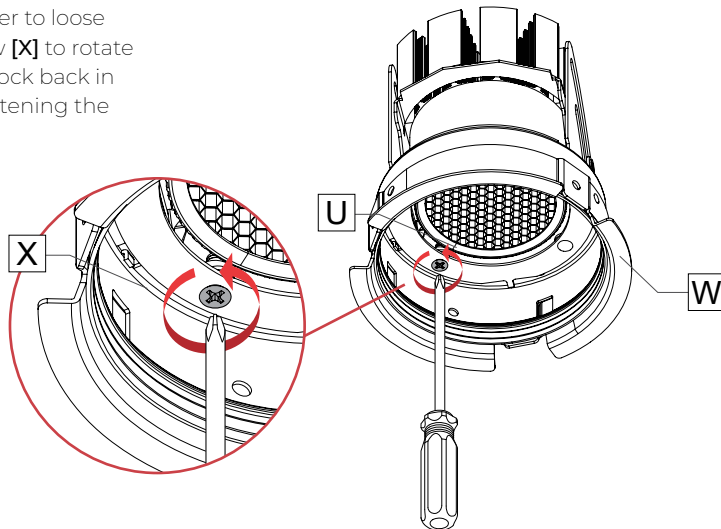
2 TILT OPTIC.

Use a thin screwdriver to tight or loose the screw [V] and tilt the optic [W].



3 ROTATE OPTIC.

Use a screwdriver to loose the inside screw [X] to rotate the optic [W]. Lock back in position by tightening the screw.



4 REINSTALL BAFFLE.

Snap in baffles [O] in place into ceiling opening until audible click is heard.

FLANGED TRIM

TRIMLESS MUDPLATE

