

# ECANA 3-4

## Downlights - Recessed Remodel (RM)



**!** This product must be installed in accordance with the National Electrical Code and all applicable local codes, by a person familiar with the construction and operation of the product, and the hazards involved. Proper grounding is required for safety.

Ce produit doit être installé suivant le code national de l'électricité, ainsi que tous les codes locaux applicables, par une personne familière avec la construction et le fonctionnement du produit, ainsi que tous les risques qui y sont associés. La mise à terre électrique est obligatoire pour la sécurité.

**!** Wire dimming conductors as Class 1.

**💡** Shown with 3" round fixture. Applicable to all types and shapes for 3" and 4".

### OVERVIEW

#### **!** Warnings

Install per national installation and accident prevention regulations.

Clearance between sides of luminaire and parts of building must be 1/2" minimum; clearance to insulating materials to be 3" minimum, unless luminaires is IC rated.

Fixtures must be installed in applications where the ambient temperature does not exceed 40° C during normal operation.

Do not connect or disconnect LED board wire connector when the fixture is energized. This may result in permanent damage to the LED array.

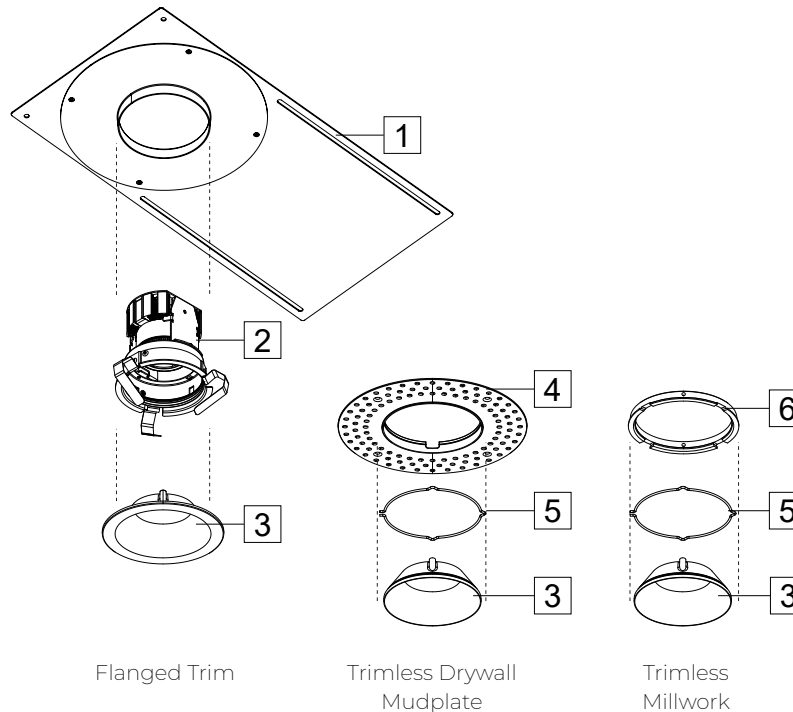
Warranty claims will not be accepted if incorrect driver or light element is used.

Do not cover the light element lens or heatsink with any materials or adhesive tapes.

**💡** For electrical connections, please refer to the [wiring diagram guide](#).



**💡** For remote driver box installation instructions, please refer to the [remote driver installation sheet](#).



#### Index

Installation Types.....	P.2
Ceiling Preparation.....	P.3
Electrical Connection.....	P.4
Light Element & Baffle.....	P.4
Adjustability.....	P.6

#### **🔧** Tools Required

- Allen Key 1/16" <sup>1</sup>
- Adjustable Hole Cutter
- Drywall Knife <sup>2</sup>
- Hammer

<sup>1</sup> For millwork adapter only.  
<sup>2</sup> Or router.

#### Items List

- [1] - Pre-mounting plate
- [2] - Light Element
- [3] - Baffle
- [4] - Mudplate
- [5] - Spring Ring
- [6] - Millwork Adapter



# ECANA 3-4

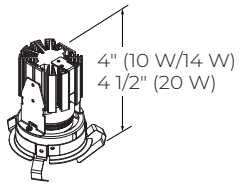
## Downlights - Recessed Remodel (RM)



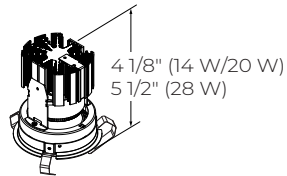
### OVERVIEW - INSTALLATION TYPES

#### RM - Remodel type Non-IC

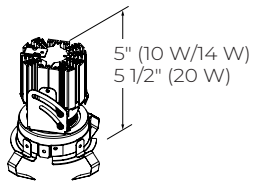
3" DOWNLIGHT (FIXED) AND WALL WASH



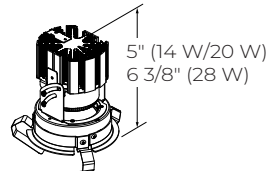
4" DOWNLIGHT (FIXED) AND WALL WASH



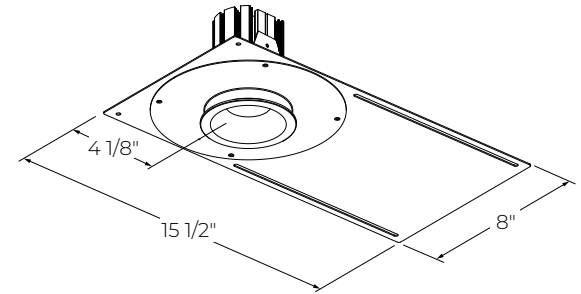
3" ADJUSTABLE



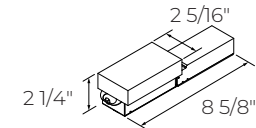
4" ADJUSTABLE



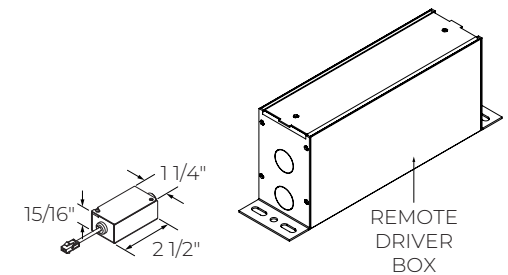
#### PMP - Pre-mounting plate



#### INTEGRAL DRIVER



#### REMOTE DRIVER



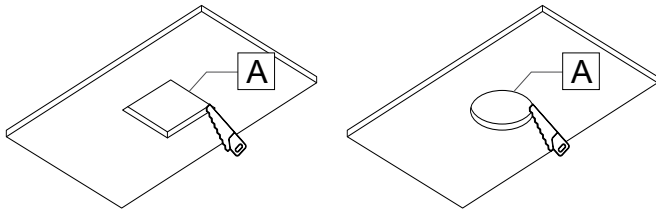
# ECANA 3-4

## Downlights - Recessed Remodel (RM)



### 1 PREPARE CEILING.

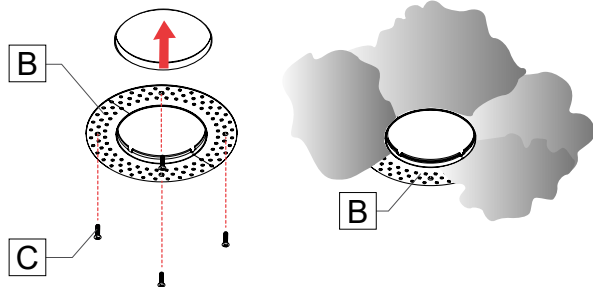
Cut hole opening [A] in ceiling, according to shape and dimensions shown in table below.



	3"	4"
Round	Ø 3 1/2"	Ø 4 1/2"
Square	3 1/2" x 3 1/2"	4 1/2" x 4 1/2"

### TRIMLESS MUDPLATE

Attach mudplate [B] to ceiling and fix with screws [C] onto ceiling. Plaster and sand over mudplate [B].



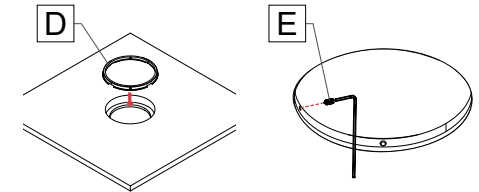
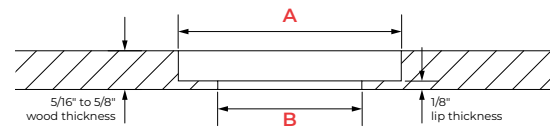
### TRIMLESS MILLWORK (TLMW)

Follow the table for dimensions based on size and baffle shape.

**Note:** The baffle opening is cut-through, but the collar opening is a step-hole that is at the back face of the ceiling.

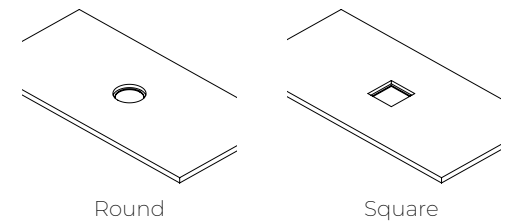
Mount the millwork adapter [D] from above before fixing the ceiling. Attach the millwork adapter by using the provided set screws [E]. Keep pressure even on all screws to center with cutout.

**Note:** Millwork adapter [D] must be installed from above the ceiling or before ceiling is installed.



	A	B
	Collar Opening	Baffle Opening
3" Round	Ø 3 1/2"	Ø 3 1/16"
3" Square	3 1/2" x 3 1/2"	3 1/16" x 3 1/16"
4" Round	Ø 4 1/2"	Ø 4 1/16"
4" Square	4 1/2" x 4 1/2"	4 1/16" x 4 1/16"

### BACK FACE OF CEILING



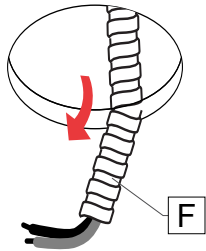
# ECANA 3-4

## Downlights - Recessed Remodel (RM)



### 2 LOWER ARMoured CABLE.

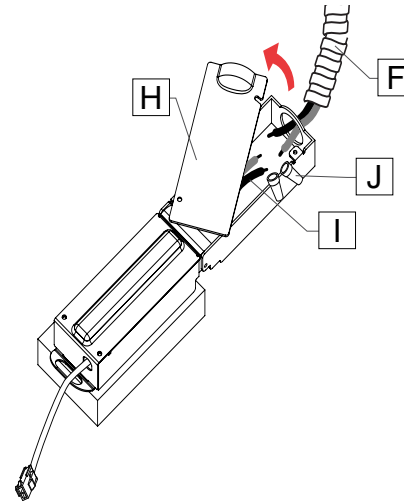
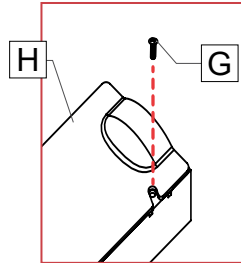
Bring armoured cable [F] from the ceiling opening.



### 3 MAKE ELECTRICAL CONNECTIONS.

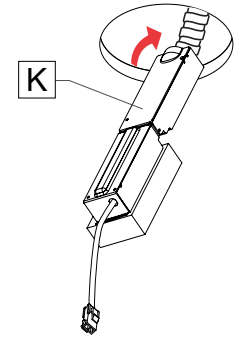
Unfasten screw [G] and pivot the cover [H]. Make electrical connections between BX cable [F] and driver cables [I] with electrical marrettes [J].

Reinstall the cover [H] by pivoting it back into place, and tighten the screw [G] to secure the cover.



### 4 INSERT DRIVER.

Place the driver [K] into the ceiling.

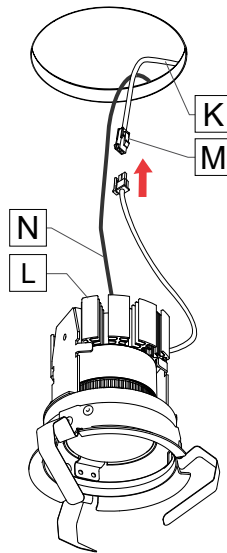


### 5 CONNECT LIGHT ELEMENT.

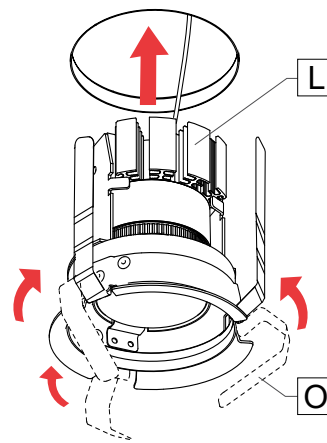
#### FLANGED TRIM

Bring the light element [L] closer to the ceiling. Connect the light element [L] to driver [K] in ceiling with quick connectors [M].

Attach the safety cable [N] to a suitable point in the ceiling.



Squeeze spring clips [O] upwards onto light element [L]. Insert light element into ceiling until spring clips [O] snap back above the ceiling.

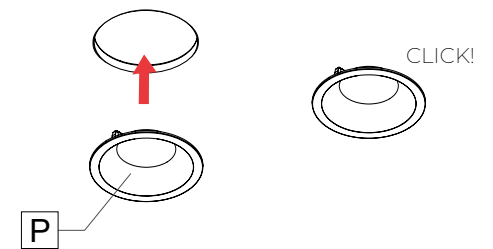


### 6 INSTALL BAFFLE.

#### FLANGED TRIM

Snap in baffles [P] in place into ceiling opening until audible click is heard.

**Note:** Before installing baffle on adjustable models, see page 6 for light element adjustment instructions (if required).



# ECANA 3-4

## Downlights - Recessed Remodel (RM)



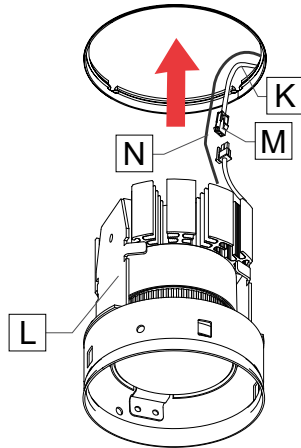
### 5 CONNECT LIGHT ELEMENT.

#### TRIMLESS MUDPLATE & MILLWORK

Bring the light element [L] closer to the ceiling. Connect the light element [L] to driver [K] in ceiling with quick connectors [M].

Attach the safety cable [N] to a suitable point in the ceiling.

Insert light element [L] into the ceiling opening.

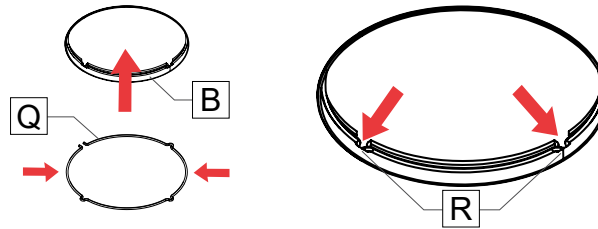


#### TRIMLESS MUDPLATE

Squeeze spring ring [Q] into the mudplate [B] at the edge. Spring ring [Q] will snap into the mudplate notches [R] around the mudplate edge.

#### TRIMLESS MILLWORK

Squeeze spring ring [Q] into the millwork adapter [R] to keep the light module in place. Spring ring [Q] will snap into the millwork adapter notches [R] around the millwork adapter edge.

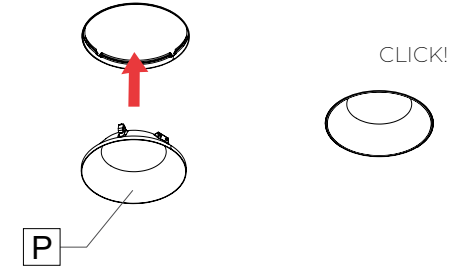


### 6 INSTALL BAFFLE.

#### TRIMLESS MUDPLATE & MILLWORK

Snap in baffles [P] in place into ceiling opening until audible click is heard. Edge of the trim should be flush with the surface.

**Note:** Before installing baffle on adjustable models, see page 6 for light element adjustment instructions (if required).



# ECANA 3-4

## Downlights - Recessed Remodel (RM)



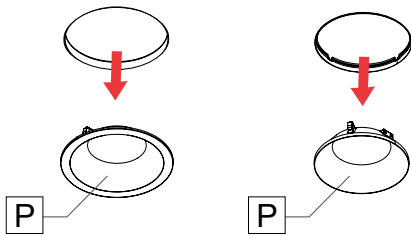
### LIGHT ELEMENT ADJUSTMENT

#### 1 REMOVE BAFFLE.

Remove baffle [P] from ceiling.

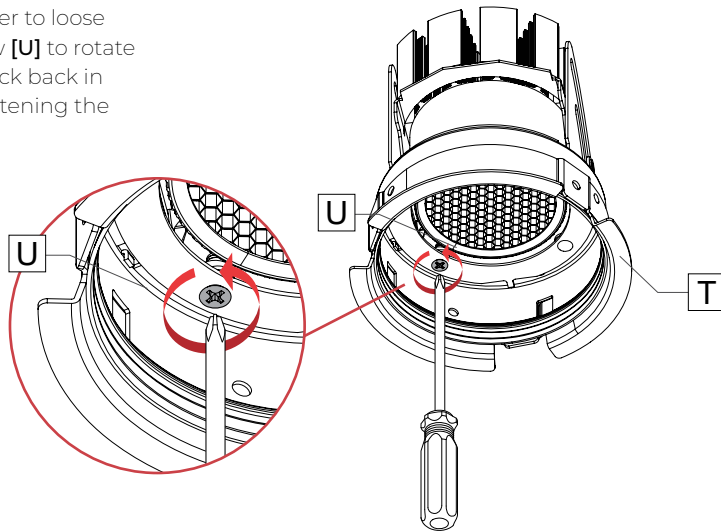
FLANGED TRIM

TRIMLESS MUDPLATE



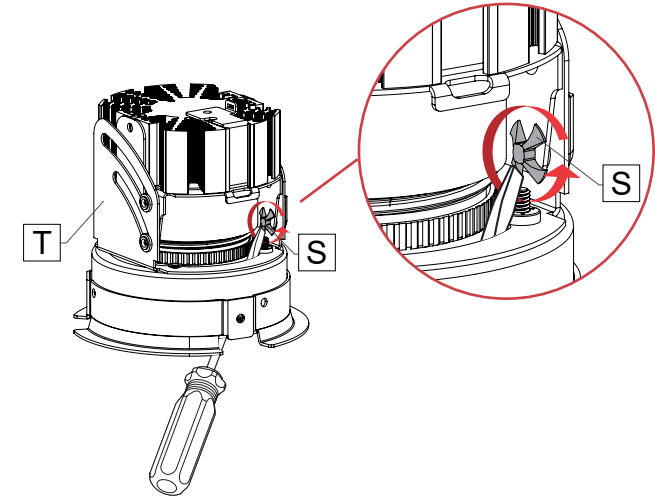
#### 3 ROTATE OPTIC.

Use a screwdriver to loose the inside screw [U] to rotate the optic [T]. Lock back in position by tightening the screw.



#### 2 TILT OPTIC.

Use a thin screwdriver to tight or loose the screw [S] and tilt the optic [T].



#### 4 REINSTALL BAFFLE.

Snap in baffles [P] in place into ceiling opening until audible click is heard.

FLANGED TRIM

TRIMLESS MUDPLATE

