

ECANA 6"

Downlights - Recessed Open Frame (OF), IC Rated (IC), Chicago Plenum (CP)



! This product must be installed in accordance with the National Electrical Code and all applicable local codes, by a person familiar with the construction and operation of the product, and the hazards involved. Proper grounding is required for safety.

Ce produit doit être installé suivant le code national de l'électricité, ainsi que tous les codes locaux applicables, par une personne familière avec la construction et le fonctionnement du produit, ainsi que tous les risques qui y sont associés. La mise à terre électrique est obligatoire pour la sécurité.

! Wire dimming conductors as Class 1.

💡 Shown with 6" round fixture, applicable to all shapes.

INSTALLATION INSTRUCTIONS

! Warnings

Install per national installation and accident prevention regulations.

Clearance between sides of luminaire and parts of building must be 1/2" minimum; clearance to insulating materials to be 3" minimum, unless luminaires is IC rated.

Fixtures must be installed in applications where the ambient temperature does not exceed 40° C during normal operation.

Do not connect or disconnect LED board wire connector when the fixture is energized. This may result in permanent damage to the LED array.

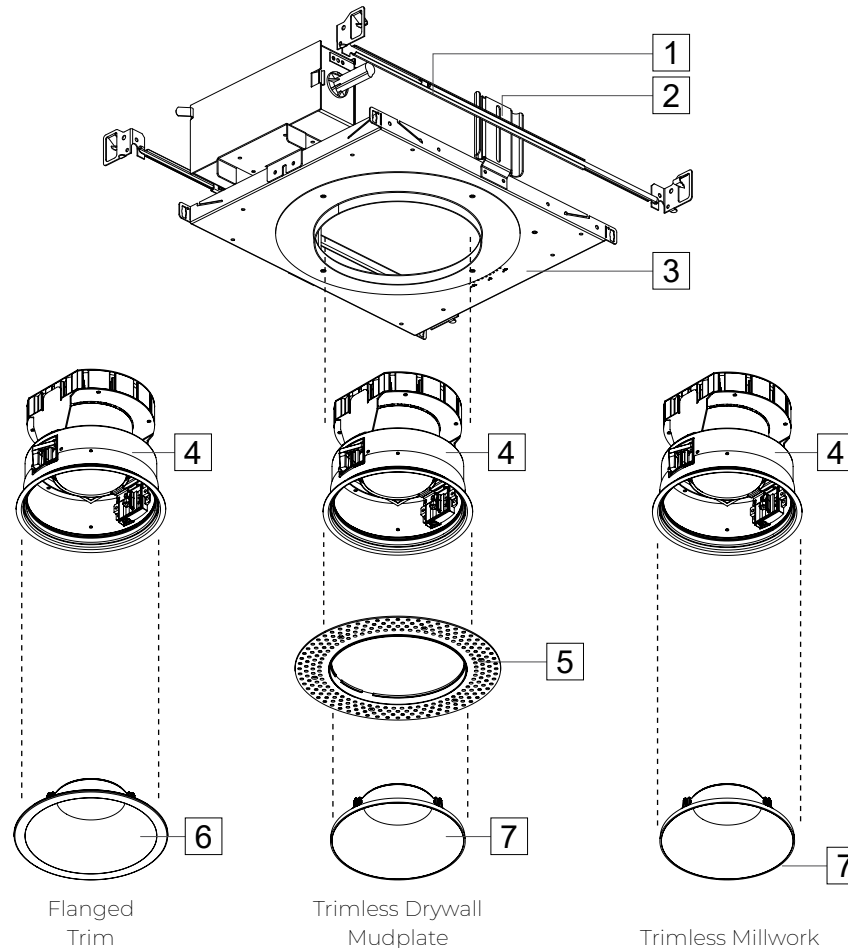
Warranty claims will not be accepted if incorrect driver or light element is used.

Do not cover the light element lens or heatsink with any materials or adhesive tapes.

💡 For electrical connections, please refer to the [wiring diagram guide](#).



💡 For remote driver box installation instructions, please refer to the [remote driver installation sheet](#).



Index

Go to pages related to product configuration.

Mounting Options.....[P.2](#)
 Electrical Connection.....[P.3](#)
 Ceiling Preparation.....[P.3](#)
 Light Element[P.4](#)

🔧 Tools Required

- Adjustable Hole Cutter
- Drywall Knife or router
- Hammer
- Phillips screwdriver
- Flat tool

Items List

- [1]** - Bar hangers
- [2]** - Bracket
- [3]** - Mounting frame
- [4]** - Light element
- [5]** - Mudplate
- [6]** - Flanged baffle
- [7]** - Trimless baffle



ECANA 6"

Downlights - Recessed Open Frame (OF), IC Rated (IC), Chicago Plenum (CP)

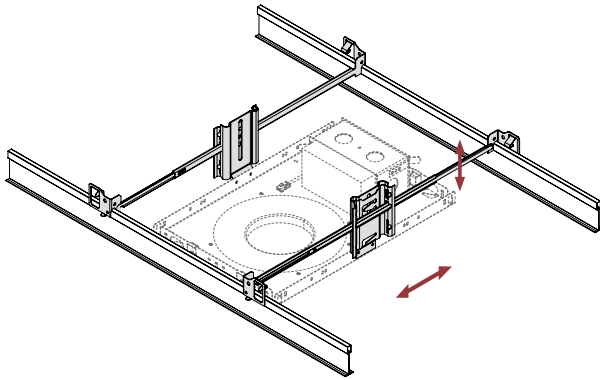


MOUNTING OPTIONS

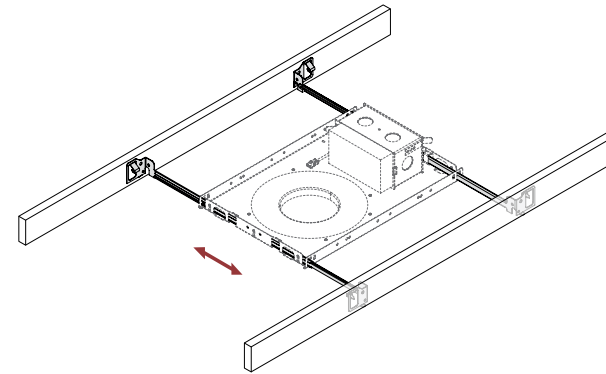
Install the housing by referring to the installation instructions in the [downlight mounting option guide](#).



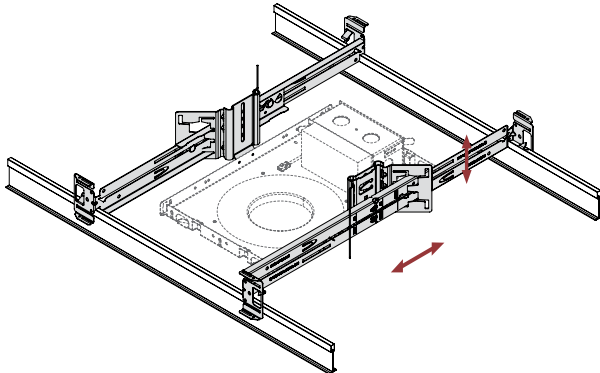
ASB - ADJUSTABLE STANDARD BAR HANGERS



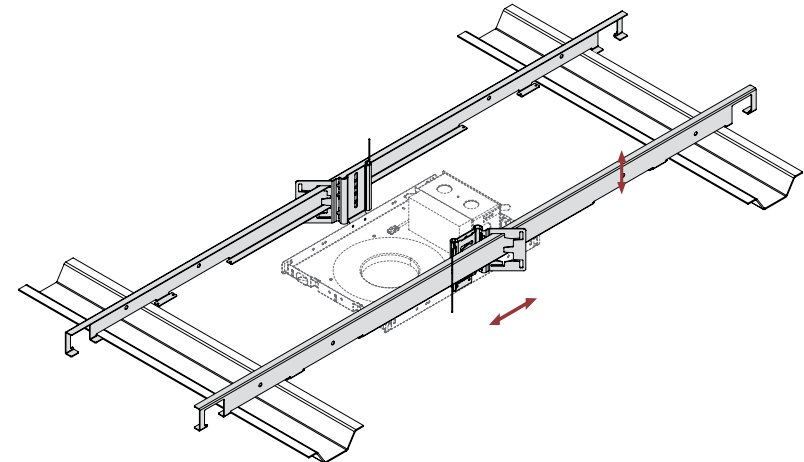
FMB - FLUSH MOUNT BARS



ACB - ADJUSTABLE COMMERCIAL BAR HANGERS



AHC - ADJUSTABLE HAT CHANNEL BARS



ECANA 6"

Downlights - Recessed Open Frame (OF), IC Rated (IC), Chicago Plenum (CP)



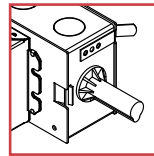
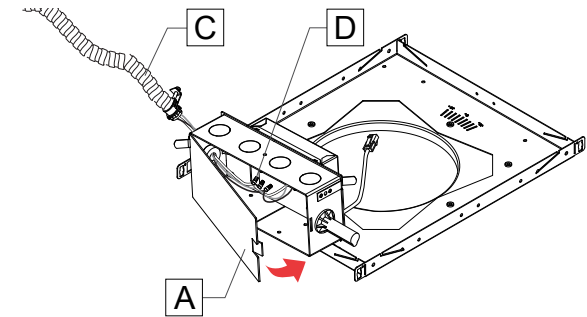
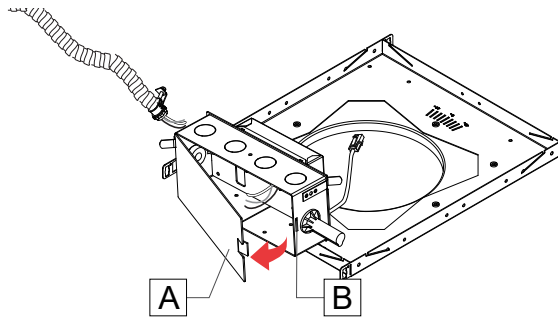
ELECTRICAL CONNECTION Access from above ceiling required.

1 MAKE ELECTRICAL CONNECTIONS.

Unsnap the cover [A] from the hook [B] and pivot the cover to access the electrical box.

Install armored main power cable [C] to knockout and make the electrical connections with wire nuts [D]. Snap the cover [A] back on the electrical box.

NOTE: Number of wires may vary.



NOTE: Only the 48W has a thermal protector.

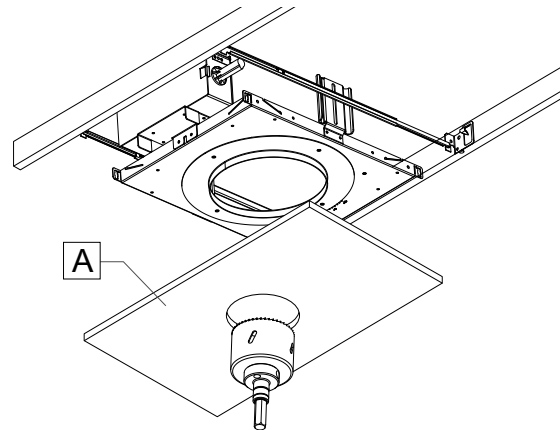
CEILING PREPARATION

1 CUT OPENING IN CEILING.

DRYWALL CEILING / GRID CEILING

Cut hole opening [A] in ceiling, according to shape and dimensions shown in table below.

Cut-out dimensions	
Square	6 1/2" x 6 1/2"
Round	Ø 6 1/2"



ECANA 6"

Downlights - Recessed Open Frame (OF), IC Rated (IC), Chicago Plenum (CP)



CEILING PREPARATION

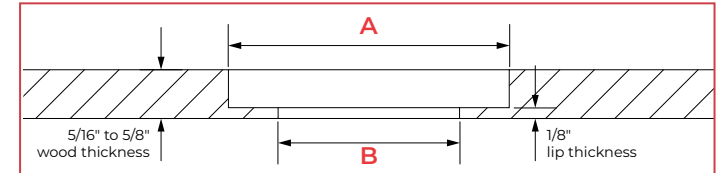
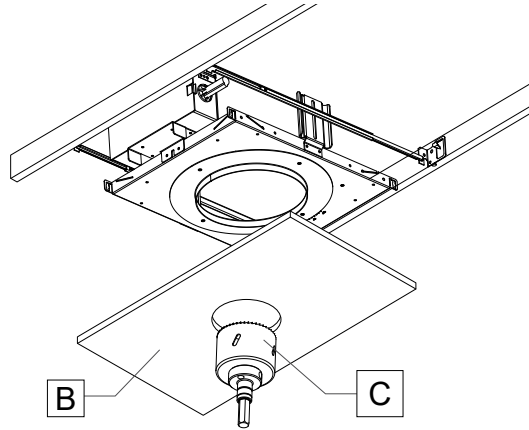
1 CUT OPENING IN CEILING.

MILLWORK CEILING

Cut opening in wood ceiling [B] with router [C].

Follow the table for dimensions based on size and baffle shape.

NOTE: The baffle opening is cut-through, but the collar opening is a step-hole that is at the back face of the ceiling.

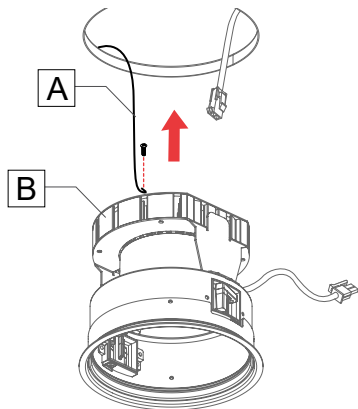


	A	B
Square	6 1/2" x 6 1/2"	6 1/16" x 6 1/16" with 1/8" lip
Round	Ø 6 1/2"	Ø 6 1/16" with 1/8" lip

LIGHT ELEMENT & BAFFLE

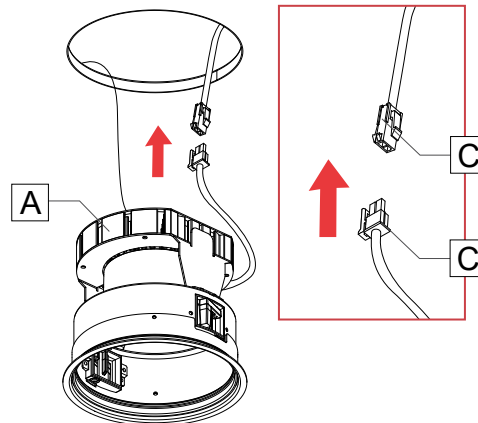
1 INSTALL SAFETY CABLE.

Bring the light element [A] closer to the ceiling. Secure the light element [A] with safety cable [B].



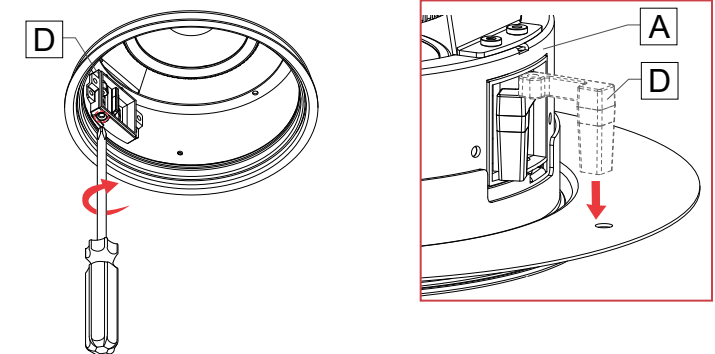
2 CONNECT LIGHT ELEMENT.

Connect the light element [A] to driver in housing with quick connectors [C].



3 SECURE HOUSING.

Turn the screws (x2) on the mounting leg assembly [D] with standard Philips screwdrivers. Tighten the light element [A] to the ceiling.



ECANA 6"

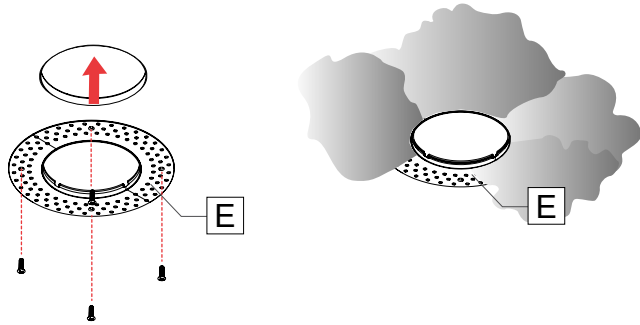
Downlights - Recessed Open Frame (OF), IC Rated (IC), Chicago Plenum (CP)



4 FINISH CEILING (ONLY APPLICABLE FOR TRIMLESS MUDPLATE).

TRIMLESS MUDPLATE

Attach mudplate [E] to ceiling and screw onto ceiling. Plaster and sand over mudplate [E].



5 INSTALL BAFFLE.

Snap the baffle [F] in place into ceiling opening until audible click is heard.

