

ECANA 6"

Downlights - Recessed Remodel (RM)



! This product must be installed in accordance with the National Electrical Code and all applicable local codes, by a person familiar with the construction and operation of the product, and the hazards involved. Proper grounding is required for safety.

Ce produit doit être installé suivant le code national de l'électricité, ainsi que tous les codes locaux applicables, par une personne familière avec la construction et le fonctionnement du produit, ainsi que tous les risques qui y sont associés. La mise à terre électrique est obligatoire pour la sécurité.

! Wire dimming conductors as Class 1.

Shown with 6" round fixture, applicable to all shapes.

INSTALLATION INSTRUCTIONS

! Warnings

Install per national installation and accident prevention regulations.

Clearance between sides of luminaire and parts of building must be 1/2" minimum; clearance to insulating materials to be 3" minimum, unless luminaires is IC rated.

Fixtures must be installed in applications where the ambient temperature does not exceed 40° C during normal operation.

Do not connect or disconnect LED board wire connector when the fixture is energized. This may result in permanent damage to the LED array.

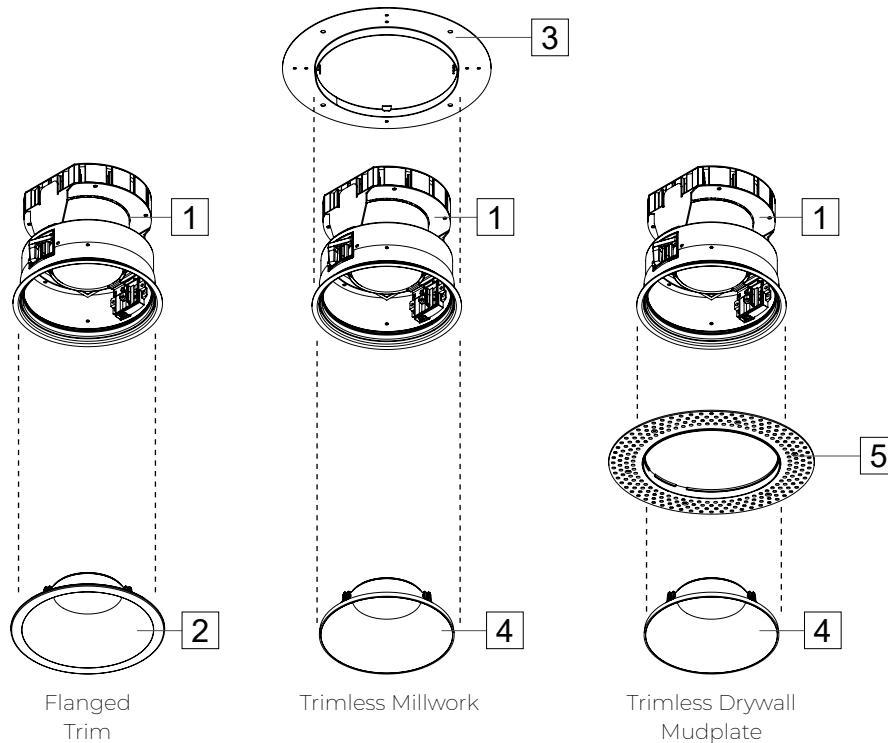
Warranty claims will not be accepted if incorrect driver or light element is used.

Do not cover the light element lens or heatsink with any materials or adhesive tapes.

For electrical connections, please refer to the [wiring diagram guide](#).



For remote driver box installation instructions, please refer to the [remote driver installation sheet](#).



Index

Go to pages related to product configuration.

Ceiling preparation.....[P.2](#)
Electrical Connection.....[P.3](#)
Light Element[P.3](#)

Tools Required

Adjustable Hole Cutter
Drywall Knife or router
Hammer
Philips screwdriver

Items List

[1] - Light element
[2] - Flanged baffle
[3] - Millwork adapter
[4] - Trimless baffle
[5] - Mudplate



ECANA 6"

Downlights - Recessed Remodel (RM)

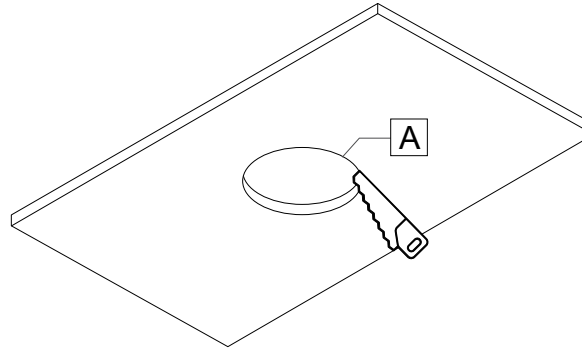


1 PREPARE CEILING.

FLANGED TRIM AND TRIMLESS DRYWALL MUDPLATE

Cut hole opening [A] in ceiling, according to shape and dimensions shown in table below.

Cut-out dimensions	
Square	6 1/2" x 6 1/2"
Round	Ø 6 1/2"

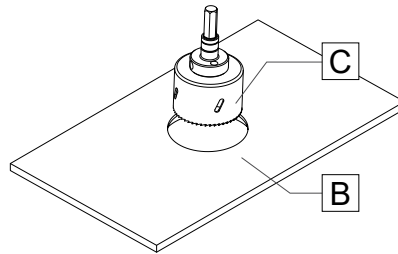


TRIMLESS MILLWORK

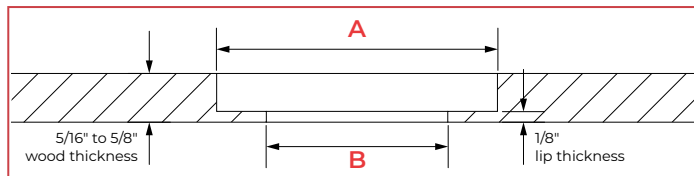
Cut opening in wood ceiling [B] with router [C].

Follow the table for dimensions based on size and baffle shape.

Note: The baffle opening is cut-through, but the collar opening is a step-hole that is at the back face of the ceiling.

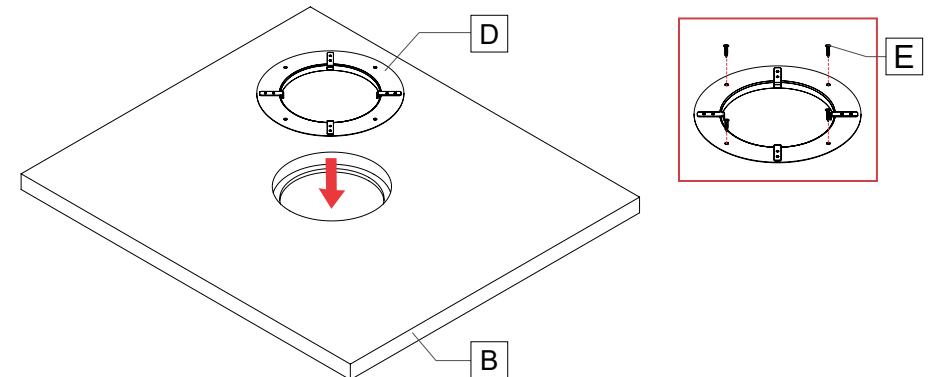


	A	B
Square	6 1/2" x 6 1/2"	6 1/16" x 6 1/16" with 1/8" lip
Round	Ø 6 1/2"	Ø 6 1/16" with 1/8" lip



Install millwork adapter [D] from above the wood ceiling [B] or before ceiling is installed.

Secure the millwork adapter with screws [E].



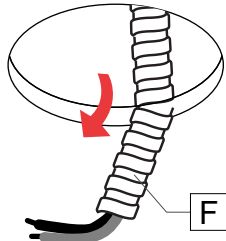
ECANA 6"

Downlights - Recessed Remodel (RM)



2 LOWER ARMORED MAIN POWER CABLE.

Bring armored main power cable [F] from the ceiling opening.

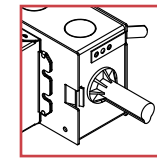
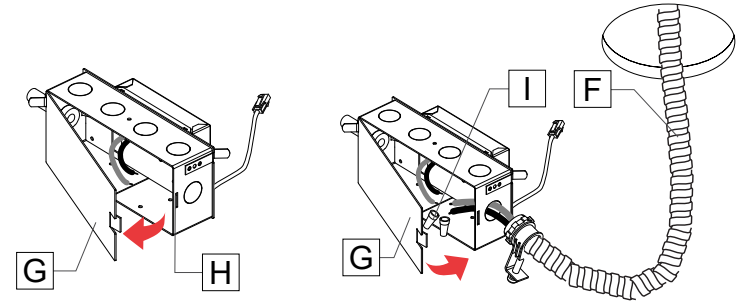


3 MAKE ELECTRICAL CONNECTIONS.

Unsnap the cover [G] from the hook [H] and pivot the cover to access the electrical box.

Install armored main power cable [F] to knockout and make the electrical connections with wire nuts [I]. Snap the cover [G] back on the electrical box.

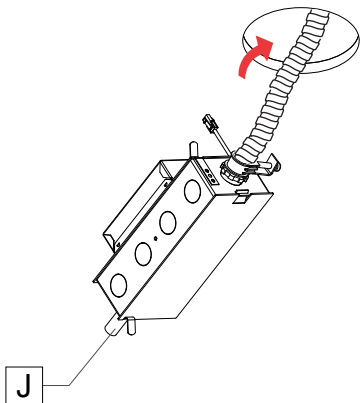
Note: Number of wires may vary.



Note: Only the 48W has a thermal protector.

4 INSERT DRIVER.

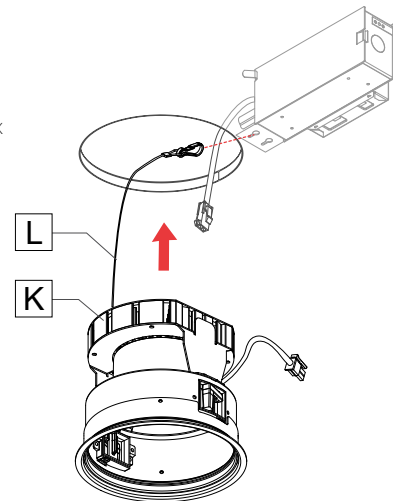
Place the driver [J] into the ceiling.



5 INSTALL SAFETY CABLE.

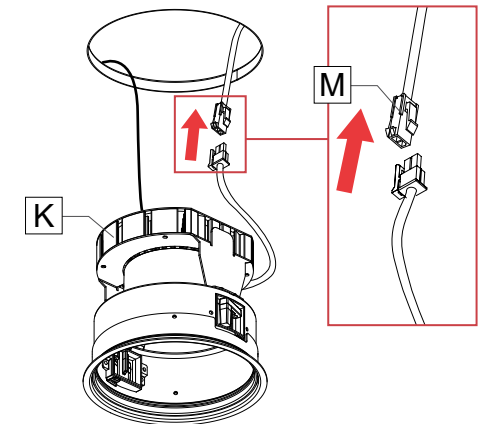
Bring the light element [K] closer to the ceiling.

Secure the light element [K] with safety cable [L]. Install the safety cable's clip to the bottom of the jbox plate.



6 CONNECT LIGHT ELEMENT.

Connect the light element [K] to driver in ceiling with quick connectors [M].



ECANA 6"

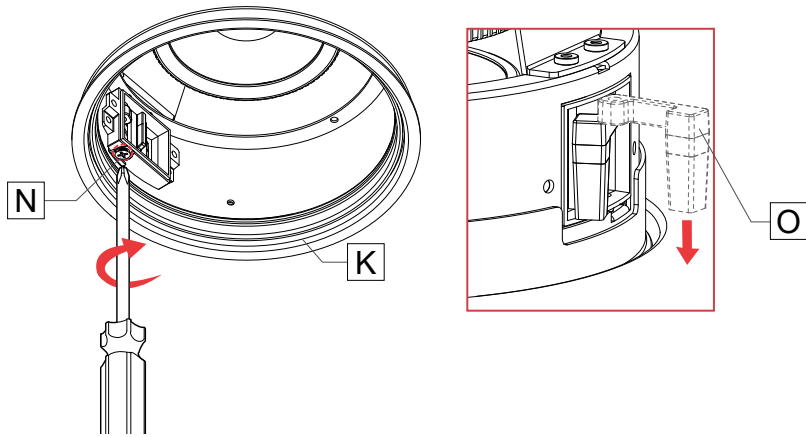
Downlights - Recessed Remodel (RM)



7 SECURE LIGHT ELEMENT.

With a standard Philips screwdriver, rotate the two screws [N] on the light element [K].

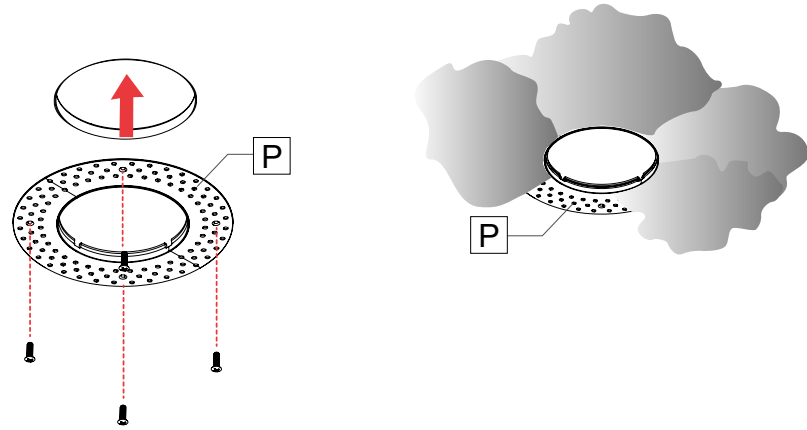
Tighten until the leg [O] sits on the ceiling.



8 FINISH CEILING (ONLY APPLICABLE FOR TRIMLESS MUDPLATE).

TRIMLESS MUDPLATE

Attach mudplate [P] to ceiling and screw onto ceiling. Plaster and sand over mudplate [P].



9 INSTALL BAFFLE.

Snap the baffle [Q] in place into ceiling opening until audible click is heard.

