

# ECANA 4" DOWNLIGHT

## SQUARE RECESSED ADJUSTABLE

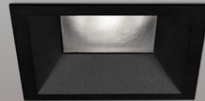


Declare.

Trimless  
with lens



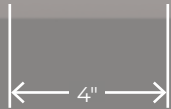
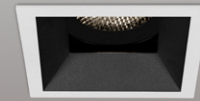
Flanged Trim  
with lens



Trimless



Flanged Trim  
with hex louver



The Ecana downlight family is designed as round or square fixtures with simple detailing, available in 3", 4", and 6" sizes. The family includes fixed, adjustable, and wall wash configurations and blends effortlessly into various settings, enriching small and large-scale projects with practical, cost-effective, and finely tuned lighting.

### Beam Angles



Low UGR < 10 in 15°, 25°, 35°, and 50° beams / Max. tilt 35°

### Performance

LUMEN OUTPUT <sup>1</sup>	WATTS	EFFICACY
1538 lm	14 W	110 lm/W
2146 lm	20 W	107 lm/W
2882 lm	28 W	103 lm/W

<sup>1</sup> Lumen packages are assuming 3500K, 80 CRI, 25° beam, with SDL lens option.

### Plenum Clearance



As low  
as 5"

### Light Source

Static White  
SOLA - Dim-to-Warm  
DUO - Tunable White



### Ceiling Types



### Ecana Family (Refer to other spec sheets)



3" / 4" / 6"  
Round / Square  
Recessed Adjustable



3" / 4" / 6"  
Round / Square  
Recessed



3" / 4" / 6"  
Round / Square  
Recessed Wall Wash

www.lumenwerx.com  
T (514) 225-4304

© Lumenwerx, ULC. All rights reserved.



Lumenwerx reserves the right to modify product specifications without notification.

ECANA4-DOWNLIGHT-SQUARE-RECESSED-ADJUSTABLE-SPEC-REV2 January 24, 2025



# ECANA 4" DOWNLIGHT

SQUARE RECESSED ADJUSTABLE



Project: \_\_\_\_\_

Type: \_\_\_\_\_

## Order Guide

### 1 - Housing (Example: EC4SRA-TRM-SW-OF-ASB-120V-14W-D1-NA)

LUMINAIRE ID <sup>1</sup>	TRIM STYLE	LIGHT SOURCE	INSTALLATION TYPE	MOUNTING OPTION <sup>4</sup>
<b>EC4SRA</b>				
<b>EC4SRA</b> - Ecana 4" Square Recessed Adjustable <sup>1</sup> Recessed (fixed) and Recessed Wall Wash also available. Consult other spec sheets.	<b>TRM</b> - Flanged trim <b>TLMW</b> - Trimless drywall mudplate <b>TLMW</b> <sup>2</sup> - Trimless millwork <sup>2</sup> For remodel (RM) installation type, TLMW adapter must be installed from above the ceiling or before ceiling is installed.	<b>SW</b> - Static white <b>SOLA</b> - Dim-to-warm single channel control <b>DUO</b> - Tunable white 2-channel control	<b>OF</b> - Open Frame Type Non-IC <b>IC</b> <sup>3</sup> - Type-IC <b>RM</b> - Remodel Type Non-IC <b>CP</b> <sup>3</sup> - Chicago Plenum Type-IC (CCEA) <b>AT</b> <sup>3</sup> - Airtight Type-IC <sup>3</sup> See Wattage section for limitations.	<b>ASB</b> <sup>5</sup> - Adjustable standard bar hangers <b>FMB</b> <sup>5</sup> - Flush mount bars <b>ACB</b> <sup>5</sup> - Adjustable commercial bar hangers <b>AHC</b> <sup>5</sup> - Adjustable hat channel bars <b>NA</b> - None <sup>4</sup> See page 4 for more details. <sup>5</sup> Not available with RM installation type.
VOLTAGE	WATTAGE	DIMMING <sup>10</sup>		OPTION
<b>120V</b> - 120V <b>277V</b> - 277V <b>UNV</b> - 120V-277V <b>347V</b> <sup>6</sup> - 347V <sup>6</sup> Available with RD1 driver only. Please consult factory.	<b>14W</b> <sup>7</sup> - 14 W output, up to 1538 lm <b>20W</b> <sup>8,9</sup> - 20 W output, up to 2146 lm <b>28W</b> <sup>8,9</sup> - 28 W output, up to 2882 lm <sup>7</sup> Not available with 95 CRI when specified with IC/CP/AT. <sup>8</sup> Not available with 95 CRI when specified with RM. <sup>9</sup> Not available with IC/CP/AT. <b>SOLA</b> <sup>9</sup> <b>28W</b> - 28 W output, up to 1945 lm <b>DUO</b> <sup>9</sup> <b>28W</b> - 28 W output, up to 2055 lm	<b>INTEGRAL</b> <b>DI</b> - 1% 0-10V <b>ELV</b> <sup>11</sup> - ELV 120V <b>TRI</b> <sup>11</sup> - TRIAC 120V <b>LDEI</b> <sup>12,13</sup> - Lutron Hi-lume 1% Eco <b>DA</b> <sup>12,13</sup> - DALI <b>ELDI</b> <sup>12</sup> - eldoLED 1% ECOdrive 0-10V <b>ELDO</b> <sup>12</sup> - eldoLED 0.1% SOLOdrive 0-10V <b>PEQO</b> <sup>13,14,15</sup> - Lutron Hi-lume Premier 0.1% EcoSystem <b>DEB</b> <sup>15</sup> - 0-10V with onboard emergency battery backup <sup>10</sup> PoE (Power-over-Ethernet) compatible. Consult factory for details. <sup>11</sup> Available with 120V only. <sup>12</sup> Not available with RM installation type. <sup>13</sup> On-site commissioning is required. <sup>14</sup> Not available with 28 W output. <sup>15</sup> Available with OF housing only.	<b>REMOTE</b> <sup>16</sup> <b>RD1</b> - 1% 0-10V <b>RELV</b> <sup>17</sup> - ELV 120V <b>RTRI</b> <sup>17</sup> - TRIAC 120V <b>RLDEI</b> <sup>18</sup> - Lutron Hi-lume 1% Eco <b>RDA</b> <sup>18</sup> - DALI <b>RELDI</b> - eldoLED 1% ECOdrive 0-10V <b>RELD0</b> - eldoLED 0.1% SOLOdrive 0-10V <b>RPEQO</b> <sup>18,19</sup> - Lutron Hi-lume Premier 0.1% EcoSystem <b>+EB</b> <sup>20</sup> - Emergency battery <sup>16</sup> A remote driver box is provided, see page 3 for details. <sup>17</sup> Available with 120V only. <sup>18</sup> On-site commissioning is required. <sup>19</sup> Not available with 28 W output. <sup>20</sup> For emergency battery, code will be like the following example: RD1+EB	<b>PMP</b> <sup>21</sup> - Pre-mounting plate <b>NA</b> - None <sup>21</sup> Available with RM installation type only.
		<b>SOLA</b> <b>SD1</b> - Single 0-10V input <b>SELV</b> <sup>11</sup> - ELV 120V <b>STRI</b> <sup>11</sup> - TRIAC 120V <b>DUO</b> <b>DD1</b> - Dual 0-10V input for CCT/intensity <b>LD2</b> <sup>13</sup> - Lutron DALI-2 digital	<b>SOLA</b> <b>RSD1</b> - Single 0-10V input <b>RSELV</b> <sup>17</sup> - ELV 120V <b>RSTRI</b> <sup>17</sup> - TRIAC 120V <b>SOLA</b> <b>DUO</b> <b>RDMX</b> <sup>18</sup> - DMX <b>RDDA</b> <sup>18</sup> - DALI DT6 <b>RDDA8</b> <sup>18</sup> - DALI DT8 <b>RDDI</b> - Dual 0-10V input for CCT/intensity <b>RLD2</b> <sup>18</sup> - Lutron DALI-2 digital <b>+EB</b> <sup>20</sup> - Emergency battery	

### 2 - Light & Baffle (Example: EC4SRAB-SW-14W-25DEG-2STP-90CRI-27K-LSDL+LS-TRM-CL-FTMW-FTMW-NA)

LUMINAIRE ID	LIGHT SOURCE Specify same as Housing	WATTAGE Specify same as Housing	BEAM	COLOR QUALITY	CRI	COLOR TEMP.
<b>EC4SRAB</b>						
<b>EC4SRAB</b> - Ecana 4" Square Recessed Adjustable	<b>SW</b> - Static white	<b>14W</b> <sup>22</sup> - 14 W output, up to 1538 lm <b>20W</b> <sup>23,24</sup> - 20 W output, up to 2146 lm <b>28W</b> <sup>23,24</sup> - 28 W output, up to 2882 lm <sup>22</sup> Not available with 95 CRI when specified with IC/CP/AT. <sup>23</sup> Not available with 95 CRI when specified with RM. <sup>24</sup> Not available with IC/CP/AT.	<b>15DEG</b> - 15° Narrow spot <b>25DEG</b> - 25° Spot <b>35DEG</b> - 35° Narrow flood <b>50DEG</b> - 50° Wide flood <b>80DEG</b> - 80° Very wide flood <b>90DEG</b> - 90° Open flood	<b>2STP</b> - 2 Step MacAdam Ellipse <b>3STP</b> - 3 Step MacAdam Ellipse	<b>90CRI</b> - 90 CRI <b>95CRI</b> - 95 CRI <b>80CRI</b> - 80 CRI	<b>24K</b> <sup>25</sup> - 2400K <b>27K</b> - 2700K <b>30K</b> - 3000K <b>35K</b> - 3500K <b>40K</b> - 4000K <b>50K</b> <sup>25</sup> - 5000K <sup>25</sup> Not available with 95 CRI.
	<b>SOLA</b> - Dim-to-warm single channel control <b>DUO</b> - Tunable white 2-channel control	<b>SOLA</b> <sup>24</sup> <b>28W</b> - 28 W output, up to 1945 lm <b>DUO</b> <sup>24</sup> <b>28W</b> - 28 W output, up to 2055 lm	<b>25DEG</b> - 25° Spot <b>35DEG</b> - 35° Narrow flood <b>60DEG</b> - 60° Wide flood <b>80DEG</b> - 80° Very wide flood <b>90DEG</b> - 90° Open flood	<b>3STP</b> - 3 Step MacAdam Ellipse	<b>90CRI</b> - 90 CRI	<b>SOLA</b> <b>30K18K</b> - 3000K to 1800K <b>27K18K</b> - 2700K to 1800K <b>DUO</b> <b>65K27K</b> - 6500K to 2700K <b>50K27K</b> - 5000K to 2700K
ACCESSORIES * See page 5 for details	TRIM STYLE Specify same as Housing	LENS * See page 5 for details	BAFFLE FINISH	TRIM FLANGE FINISH Specify NA for Trimless	OPTION	
<b>At light element</b> <sup>26,27</sup> (choose up to 2 options for SW and 1 option for SOLA/DUO) <b>LSDL</b> - Soft diffused lens, Solite <b>LFDL</b> - Frosted diffused lens <b>LS</b> - Linear spread <b>HEX</b> <sup>28</sup> - Hex louver <b>NA</b> - None <sup>26</sup> If two options are specified, separate codes with a "+", e.g. LSDL+LS. <sup>27</sup> LSDL and LFDL cannot be combined. LS and HEX cannot be combined. <sup>28</sup> Not available with 80°/90° beam options.	<b>TRM</b> - Flanged trim <b>TLMW</b> - Trimless drywall mudplate <b>TLMW</b> <sup>29</sup> - Trimless millwork <sup>29</sup> For remodel (RM) installation type, TLMW adapter must be installed from above the ceiling or before ceiling is installed.	<b>At baffle</b> (choose 1 option) <b>SDL</b> - Soft diffused lens, Solite <b>FDL</b> - Frosted diffused lens <b>CL</b> - Clear lens <b>NOL</b> - No lens	<b>FTMW</b> - Textured matte white <b>FTMB</b> - Textured matte black <b>CF#</b> - Custom finish, specify RAL# <b>CF#</b> - Custom finish, specify RAL#	<b>FTMW</b> - Textured matte white <b>FTMB</b> - Textured matte black <b>CF#</b> - Custom finish, specify RAL# <b>NA</b> - Not applicable	<b>WET</b> <sup>30</sup> - Wet location <b>NA</b> - None <sup>30</sup> Must be specified with the flanged trim (TRM), and either SDL, FDL, or CL lens options.	

\* LSDL or LFDL at light element cannot be combined with SDL or FDL at baffle.



# ECANA 4" DOWNLIGHT

## SQUARE RECESSED ADJUSTABLE



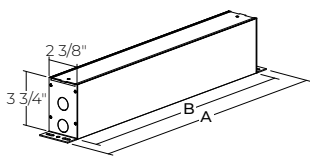
### Housing

INSTALLATION TYPES		
<b>OF</b> - Open Frame Type Non-IC	<b>IC</b> - Type-IC	<b>CP</b> - Chicago Plenum Type-IC (CCEA) <b>AT</b> - Airtight Type-IC
RM - Remodel Type Non-IC		
Integral	Remote	<b>PMP</b> (Optional) - Pre-mounting plate

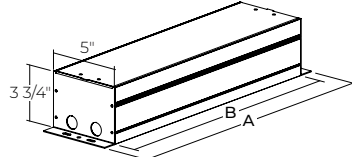
- For height dimension C, see the PLENUM CLEARANCE & CUT-OUT DIMENSIONS table below.  
 - For OF, IC, CP, and AT installation types with remote dimming, a remote driver box is provided.

### REMOTE DRIVER BOX

RDB8 / RDB18 / RDB24

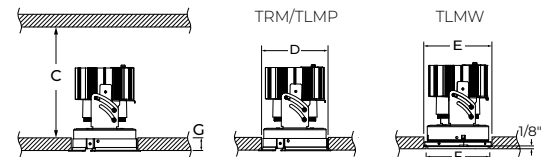


RDB24W



	RDB8	RDB18	RDB24	RDB24W
<b>A</b>	10"	20"	26"	26"
<b>B</b>	8"	18"	24"	24"
<b>DRIVER</b>	<b>RD1</b> - 1% 0-10V <b>RELV</b> - ELV 120V <b>RTRI</b> - TRIAC 120V <b>RPEQ0</b> - Lutron Hi-lume Premier 0.1% EcoSystem  <b>SOLA</b> <b>RSDI</b> - Single 0-10V input <b>RSELV</b> - ELV 120V <b>RSTRI</b> - TRIAC 120V	<b>RLDE1</b> - Lutron Hi-lume 1% Eco <b>RDA</b> - DALI <b>RELD1</b> - eldoLED 1% ECOdrive 0-10V <b>RELD0</b> - eldoLED 0.1% SOLOdrive 0-10V	Emergency battery (+EB) with the following driver options. <b>RD1+EB</b> - 1% 0-10V <b>RELV+EB</b> - ELV 120V <b>RTRI+EB</b> - TRIAC 120V <b>RPEQ0+EB</b> - Lutron Hi-lume Premier 0.1% EcoSystem  <b>DUO</b> <b>RDMX</b> - DMX <b>RDDA</b> - DALI DT6 <b>RDDA8</b> - DALI DT8 <b>RDD1</b> - Dual 0-10V input for CCT/intensity <b>RLD2</b> - Lutron DALI-2 digital	Emergency battery (+EB) with the following driver options. <b>RLDE1+EB</b> - Lutron Hi-lume 1% Eco <b>RDA+EB</b> - DALI <b>RELD1+EB</b> - eldoLED 1% ECOdrive 0-10V <b>RELD0+EB</b> - eldoLED 0.1% SOLOdrive 0-10V

### PLENUM CLEARANCE & CUT-OUT DIMENSIONS



		PLENUM CLEARANCE HEIGHT
		<b>REMOTE &amp; INTEGRAL</b>
<b>C</b>	<b>OF</b>	5" (14 W/20 W) 6 3/8" (28 W)
	<b>IC</b>	6 1/2"
	<b>CP/AT</b>	7"
	<b>RM</b>	5" (14 W/20 W) 6 3/8" (28 W)
		CUT-OUT DIMENSIONS
<b>D</b>	<b>TRM/ TLMP</b>	4 1/2" x 4 1/2"
<b>E</b>	<b>TLMW</b>	4 1/2" x 4 1/2"
<b>F</b>		4 1/16" x 4 1/16" with 1/8" lip
		MAXIMUM CEILING THICKNESS
<b>G</b>	<b>TRM/ TLMP</b>	1 1/2"
	<b>TLMW</b>	5/8"

# ECANA 4" DOWNLIGHT

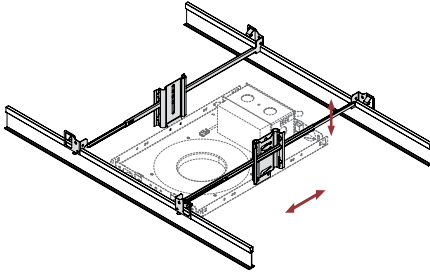
## SQUARE RECESSED ADJUSTABLE



### Housing

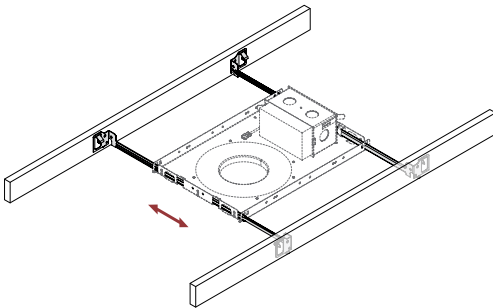
#### MOUNTING OPTIONS

##### ASB - Adjustable Standard Bar Hangers



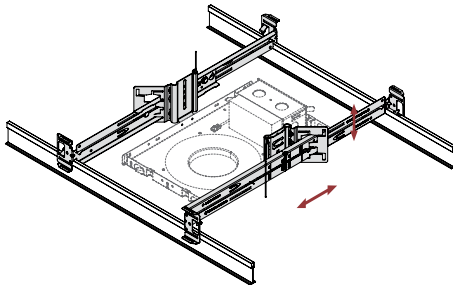
Adjustable Standard Bar hangers can be used in both commercial and residential applications and are adjustable to various heights in both Grid Ceiling and Drywall mounting. ASB hangers are less rigid and versatile than ACB hangers.

##### FMB - Flush Mount Bars



Flush Mount Bars are best used in residential applications, fitting snug to the surface and suitable for Wood, Metal, and Drywall mounting. The flush mounted bars are static and can't be adjusted.

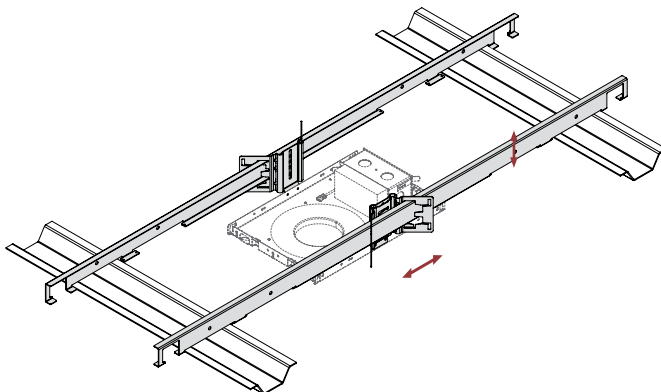
##### ACB - Adjustable Commercial Bar Hangers



Adjustable Commercial Bar hangers can be used in both commercial and residential applications and are by far the most versatile mounting bar we offer with its adjustability to various heights. ACB hangers are suitable for Grid Ceiling, Drywall, Metal, Wood and Frame mounting.

- Extremely rigid
- Fits into C-Channel notches in a Butterfly Bracket

##### AHC - Adjustable Hat Channel Bars



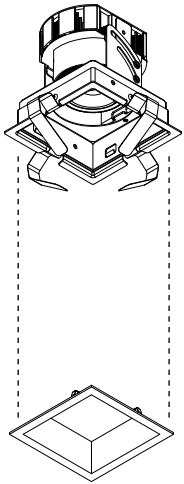
Adjustable Hat Channel bars can be used in both commercial and residential applications and come with a butterfly clip to adjust to various heights. AHC bars can be hung downward by 90 degrees in vertical position, and once wired, can be shifted onto the horizontal mounting plane. AHC bars are suitable for both Drywall and wood ceiling applications.

# ECANA 4" DOWNLIGHT

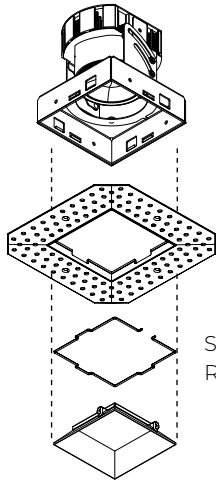
## SQUARE RECESSED ADJUSTABLE



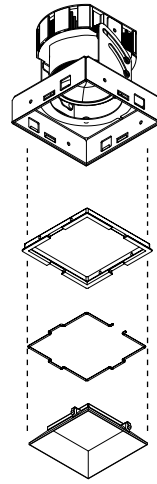
### Light & Baffle



Flanged Trim

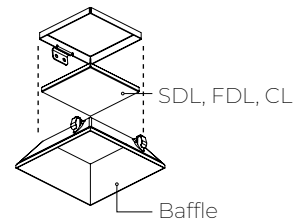
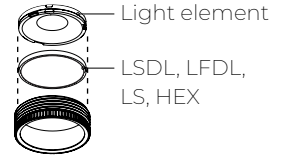


Trimless Drywall Mudplate

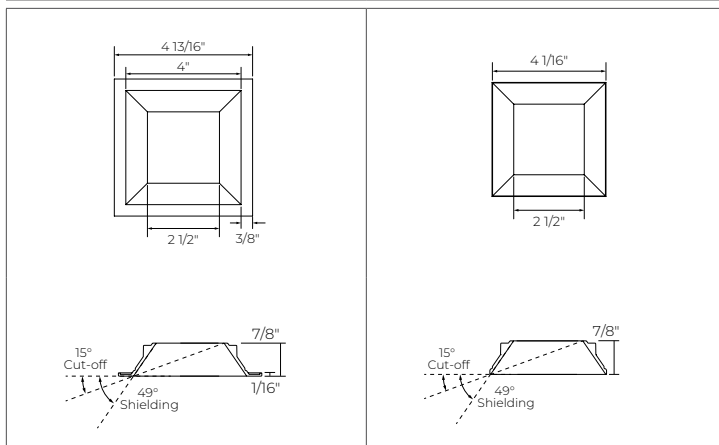


Trimless Millwork

### LENS AND ACCESSORIES



TRM Flanged Trim	TLMP/TLMW Trimless Drywall Mudplate /Trimless Millwork
<p> Baffle finish</p> <p> Trim flange finish</p>	



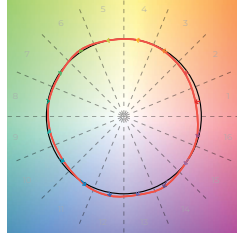
# ECANA 4" DOWNLIGHT

## SQUARE RECESSED ADJUSTABLE



### Color Quality

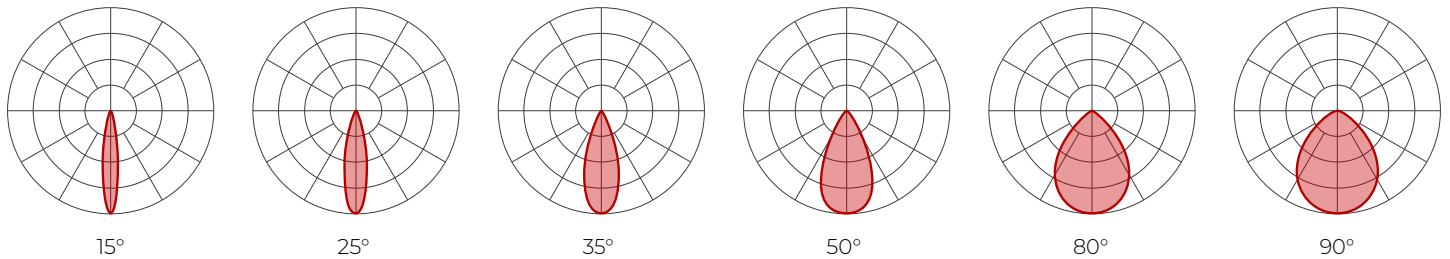
COLOR QUALITY - 3500K	
TM-30 R <sub>t</sub>	92
TM-30 R <sub>9</sub>	100
CRI	90
R9	> 50



### Photometrics

#### STATIC WHITE

Values calculated based on 3500K, bevel baffle, and SDL lens option.



#### Delivered lumens

CRI	90 CRI						95 CRI						80 CRI					
	15°	25°	35°	50°	80°	90°	15°	25°	35°	50°	80°	90°	15°	25°	35°	50°	80°	90°
14 W	1399	1437	1384	1356	1220	1220	1077	1106	1066	1044	940	940	1497	1538	1481	1451	1306	1306
20 W	1952	2006	1931	1893	1704	1704	1503	1545	1487	1458	1312	1312	2089	2146	2066	2026	1823	1823
28 W	2621	2693	2593	2541	2287	2287	2018	2074	1997	1957	1761	1761	2804	2882	2775	2719	2447	2447

#### Efficacy

CRI	90 CRI						95 CRI						80 CRI					
	15°	25°	35°	50°	80°	90°	15°	25°	35°	50°	80°	90°	15°	25°	35°	50°	80°	90°
14 W	100	103	99	97	87	87	77	79	76	75	67	67	107	110	106	104	93	93
20 W	98	100	97	95	85	85	75	77	74	73	66	66	104	107	103	101	91	91
28 W	94	96	93	91	82	82	72	74	71	70	63	63	100	103	99	97	87	87

#### MULTIPLIERS

Please follow the multiplier tables to ensure correct lumen value. Beams, CCT, baffle colors, lensing and accessories will change the lumen value.

CCT	TRIM STYLE AND BAFFLE FINISH	LENS * (At baffle)	ACCESSORIES * (At light element)
2400K	Flanged trim	SDL - Soft diffused lens, Solite	LSDL - Soft diffused lens, Solite
2700K	Trimless	FDL - Frosted lens	LFDL - Frosted lens
3000K	White	CL - Clear lens	LS - Linear spread
3500K	Black	NOL - No lens	HEX - Hex louver
4000K			
5000K			

\* When more than one lens or accessory is specified, multiply together the value of each lens and/or accessory.  
e.g. NOL + LSDL + LS = 1.1 x 1 x 0.84 = 0.924

# ECANA 4" DOWNLIGHT

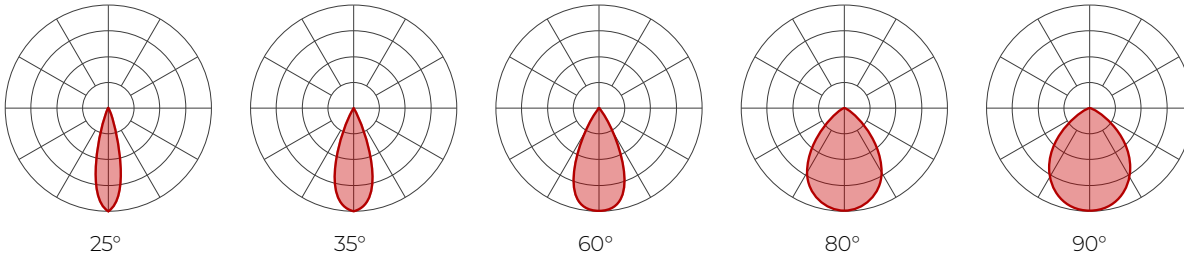
## SQUARE RECESSED ADJUSTABLE



### Photometrics

#### SOLA/DUO

Values calculated based on bevel baffle and SDL lens option.



#### SOLA

BEAM		25°		35°		60°		80°		90°	
		lm	lm/W	lm	lm/W	lm	lm/W	lm	lm/W	lm	lm/W
28 W	3000K	1920	69	1945	69	1850	66	1590	57	1460	52
	2700K	1920	69	1945	69	1850	66	1590	57	1460	52

#### DUO

BEAM		25°		35°		60°		80°		90°	
		lm	lm/W	lm	lm/W	lm	lm/W	lm	lm/W	lm	lm/W
28 W	6500K	2005	72	2055	73	1980	71	1700	61	1565	56
	5000K	2005	72	2055	73	1980	71	1700	61	1565	56
	2700K	1780	64	1820	65	1740	62	1495	53	1375	49

#### MULTIPLIERS

Please follow the multiplier tables to ensure correct lumen value. Beams, CCT, baffle colors, lensing and accessories will change the lumen value.

TRIM STYLE AND BAFFLE FINISH		LENS * (At baffle)		ACCESSORIES * (At light element)	
Flanged trim	1	SDL - Soft diffused lens, Solite	1	LSDL - Soft diffused lens, Solite	1
Trimless	1	FDL - Frosted lens	0.8	LFDL - Frosted lens	0.8
White	1	CL - Clear lens	1.1	LS - Linear spread	0.84
Black	1	NOL - No lens	1.1	HEX - Hex louver	0.86

\* When more than one lens or accessory is specified, multiply together the value of each lens and/or accessory.  
 e.g. NOL + LSDL = 1.1 x 1 = 1.1

# ECANA 4" DOWNLIGHT

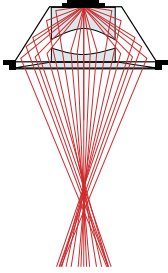
## SQUARE RECESSED ADJUSTABLE



### Technical Specifications

#### OPTIC

XPoint™ Refraction Technology optics provide precise optical control in a remarkably compact form. Micro optical paths from the chip on board converge and then disperse in precise beam angles, resulting in a crisp and exacting light quality.



#### LIGHT SOURCE

##### Static white

Compact COB (Chip-On-Board) LED module, available in 2400K, 2700K, 3000K, 3500K, 4000K, and 5000K with a choice of 80 CRI, 90 CRI, or 95 CRI, with elevated R9 value for 90 CRI and above. Color consistency is maintained to within 2 SDCM. All LEDs have been tested in accordance with IESNA LM-80-08 and the results have shown L80 lumen maintenance greater than 60,000 hours. Absolute product photometry is measured and presented in accordance with IESNA LM-79, unless otherwise indicated. Optional full spectrum LEDs can be incorporated in the fixture to increase Cyanosis Observation Index (COI) and assist in regulating circadian rhythms.

##### Chromawerx SOLA

Chromawerx SOLA is single-channel control that dims output while warming the color temperature in a pre-determined relationship. Two color temperature range options are offered: 3000K to 1800K, and 2700K to 1800K. A simple analog control adjusts a specially populated LED array to emulate the effect of dimming a filament source.

##### Chromawerx DUO

Chromawerx DUO offers a two-channel control system which uses analog or digital protocols for synchronous control of both cool to warm LED arrays - maintaining a CRI above 90. Two color temperature range options are offered: 6500K to 2700K, and 5000K to 2700K. The range of color DUO offers is useful for entraining circadian rhythms, stimulating alertness, and compensating for jet lag among other applications. The Chromawerx drivers are programmed to limit maximum light output and power usage across all color temperatures. When paired with DALI drivers (DDA/DDA8), color tuning follows a linear dimming curve.

#### ELECTRICAL

Unless otherwise specified, dimming down to 1%. At maximum driver load: efficiency>84%, PF>0.9, THD<20%.

**Integral:** 0-10V, ELV, TRIAC, Lutron Hi-Lume 1% EcoSystem, DALI, eldoLED 0.1% SOLOdrive 0-10V, eldoLED 1% ECOdrive 0-10V, DMX, Lutron DALI-2 digital

**Remote:** 0-10V, ELV, TRIAC, Lutron Hi-Lume 1% EcoSystem, DALI, eldoLED 0.1% SOLOdrive 0-10V, eldoLED 1% ECOdrive 0-10V, DMX, Lutron DALI-2 digital

**Emergency battery options - Integral:** Factory installed, long-life, high-temperature, LED driver with integrated emergency backup using a recyclable LiFePO4 battery pack. Features a remote test switch with charge indicator, minimum of 90 minutes operation and 10 W per downlight emergency lighting output. Recharge time of 12 hours.

**Emergency battery options - Remote:** Remotely-installed, long-life, high-temperature, maintenance-free, Bodine Lithium-Ion battery pack with self-test functionality, test switch and charge indicator. IOTA and Fulham options available upon request. Minimum of 90 minutes operation, and recharge time of 24 hours. For fixtures less than 10 W, the battery provides 6 W of emergency light output. For fixtures 10 W and over, the battery provides 10 W.

#### PoE

Depending on the PoE manufacturer selected, Lumenwerx will install the node in factory as either integral to the luminaire or as a remote module. Factory programming of the PoE node may or may not enable the following functionalities: lumen package, DUO (tunable white), QUADRO (RGBW), emergency battery backup, and sensor integration. These must be addressed and evaluated on a case-by-case basis.

# ECANA 4" DOWNLIGHT

SQUARE RECESSED ADJUSTABLE



## CONSTRUCTION

### Housing

For new construction, 20 gauge powder coated steel. Open frame, type-IC, or Chicago Plenum (CCEA) rated. 18 gauge galvanized steel junction box with ½" trade size knockouts. Adjustable standard, flush mount, adjustable commercial, and adjustable hat channel bar hangers are available as mounting options.

### Light element

**Adjustability:** Hot aiming, 355° rotation and 35° vertical tilt with shift to ensure beam stays centered.

**LED module:** Integral COB module. 90 CRI and 2 SDCM, Standard with options of 80 CRI, or 95 CRI. L80 > 60,000 hours.

**XPoint™ Refraction Technology optic:** Micro optical paths from the chip on board converge and then disperse in precise beam angles, resulting in a crisp and exacting light quality.

**Thermal management:** Die-cast aluminum heat sink to maximize thermal dissipation.

**Baffle:** Die-cast aluminum mounted with retaining spring clips

**Trim style:** Trimmed and trimless with mudplate or millwork adapter

## WARRANTY

Lumenwerx provides a five-year limited warranty on electrical and mechanical performance of the luminaires, including the LED boards, drivers, and auxiliary electronics. Lumenwerx will repair or replace defective luminaires or components at our discretion, provided they have been installed and operated in accordance with our specifications. Other limitations apply, please refer to the full warranty on our website.

## WEIGHT

**Open frame:** 4.5 lbs - 2 kg

**Type-IC/Chicago Plenum:** 8 lbs - 3.6 kg

**Remodel:** 3.5 lbs - 1.6 kg

## LENS AND ACCESSORIES



Soft diffused lens, Solite



Frosted diffused lens



Clear lens



Linear spread



Hex louver

## ENVIRONMENT

Ambient temperature at fixture location shall be within 0°C/32°F - 25°C/77°F, indoor dry or damp as well as outdoor damp use (canopies or marquees).

## CERTIFICATIONS

**ETL:** Rated for indoor dry/damp locations. Conforms to UL Standard 1598 and certified to CAN/CSA Standard C22.2 No. 250.0.

**IP44:** IP44 rated for bathrooms, showers, outdoor canopies, and marquees when specified with the wet location (WET) option.

**Chicago Plenum:** City of Chicago approved (CCEA) when specified with CP installation type option.

**IC rated:** Suitable for direct contact with insulation when specified with IC, CP or AT installation type options.

**Declare:** [LBC Red List Approved](#)