



## Evoq Components

**Declare.**



**Fixtures**

- 12 inches
- 18 inches
- 48 inches



**Ramps**

- Mud-in
- Direct Mount
- Field-Curvable
- Other Options



**Cables**

- Leader Cable
- Leader Cable 90-Degree
- Jumper Cable

# EVOQ COMPONENTS

## COVE LIGHTING



Project: \_\_\_\_\_  
 Type: \_\_\_\_\_

## Order Guide

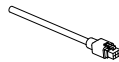
### 1 - Fixture



LUMINAIRE ID	OPTIC	LIGHT SOURCE <sup>2</sup>	CRI	LUMEN PACKAGE
<b>EVOQ</b>				
<b>EVOQ<sup>1</sup></b> - Evoq <sup>1</sup> See other spec sheet for Evoq system.	<b>ANO</b> - Asymmetric Narrow Optic <b>AWO</b> - Asymmetric Wide Optic <b>SNO</b> - Symmetric Narrow Optic <b>SWO</b> - Symmetric Wide Optic	<b>SW</b> - Static white <b>FS</b> - Full Spectrum static white <b>SOLA<sup>3</sup></b> - Dim-to-warm single channel control <b>DUO<sup>3</sup></b> - Tunable white 2-channel control <sup>2</sup> - RGBW also available. Consult other spec sheets. · Consult factory for solid colors, such as red, green and blue. <sup>3</sup> Not available with 12" modules.	<b>80CRI<sup>4</sup></b> - 80+ CRI <b>90CRI<sup>4</sup></b> - 90+ CRI <b>95CRI</b> - 95+ CRI <sup>4</sup> Not available with full spectrum.	<b>350LMF</b> - 350 lm/ft <b>500LMF<sup>5</sup></b> - 500 lm/ft <b>750LMF<sup>6</sup></b> - 750 lm/ft <b>1000LMF<sup>7</sup></b> - 1000 lm/ft <b>1200LMF<sup>7,8</sup></b> - 1200 lm/ft <sup>5</sup> Only available with 48" modules when specified with ELV/TRI. <sup>6</sup> Only available with 18" and 48" modules when specified with ELV/TRI. <sup>7</sup> Fixture will be bright and not recommended to use in shallow coves. <sup>8</sup> Not available with full spectrum.

COLOR TEMPERATURE	LENGTH	VOLTAGE	DRIVER
<b>22K<sup>9,10</sup></b> - 2200K <b>27K</b> - 2700K <b>30K</b> - 3000K <b>35K</b> - 3500K <b>40K</b> - 4000K <b>50K</b> - 5000K <b>65K<sup>10</sup></b> - 6500K <sup>9</sup> Not available with full spectrum. <sup>10</sup> Not available with 95+ CRI when specified with static white.	<b>12IN<sup>11</sup></b> - 12" <b>18IN</b> - 18" <b>48IN</b> - 48" <sup>11</sup> Not available with SOLA/DUO.	<b>120V</b> - 120V <b>277V</b> - 277V <b>UNV</b> - 120V-277V	<b>D1</b> - 1% 0-10V <b>ELV<sup>12,13</sup></b> - ELV 120V <b>TRI<sup>12,13</sup></b> - TRIAC 120V <b>LDE1<sup>13,14,15</sup></b> - Lutron Hi-lume 1% Eco <sup>12</sup> Available with 120V only. <sup>13</sup> Not available with 350 lm/ft. <sup>14</sup> On-site commissioning is required. <sup>15</sup> Not available with 12" modules.
<b>SOLA / DUO</b> <b>###K###K</b> - Specify the high and low CCT values (##)			<b>SOLA</b> <b>SDI</b> - Single 0-10V input
			<b>DA<sup>13,14</sup></b> - DALI <b>ELD1<sup>13</sup></b> - eldoLED 1% ECOdrive 0-10V <b>ELD0<sup>13</sup></b> - eldoLED 0.1% SOLOdrive 0-10V <b>+#EMB<sup>16,17</sup></b> - Emergency battery <sup>16</sup> Available with 48" modules only. <sup>17</sup> Specify quantity (#) and add to the driver code, e.g. D1+EMB. Each battery powers a 48" module.
			<b>DUO</b> <b>DMX<sup>14,16</sup></b> - DMX <b>DDA<sup>14</sup></b> - DALI DT6 <b>DDA8<sup>14</sup></b> - DALI DT8 <b>DD1</b> - Dual 0-10V input for CCT/intensity <b>LD2<sup>13,14</sup></b> - Lutron DALI-2 digital

### 2 - Leader Cable (order separately)



LUMINAIRE ID <sup>1</sup>
<b>EVLC</b> - Evoq 10' leader cable, male connector <b>EVLCF</b> - Evoq 10' leader cable, female connector <b>EVLC90</b> - Evoq 10' leader cable 90°, male connector <sup>1</sup> See page 6 for details.

### 3 - Jumper Cable (optional, order separately)



LUMINAIRE ID <sup>1</sup>	LENGTH
<b>EVJC</b>	
<b>EVJC</b> - Evoq jumper cable <sup>1</sup> See page 6 for details.	<b>8IN</b> - 8" <b>12IN</b> - 12" <b>120IN</b> - 120"

See the next page for ramps and ramp corners



# EVOQ COMPONENTS

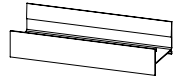
## COVE LIGHTING


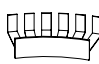


Project: \_\_\_\_\_  
 Type: \_\_\_\_\_

### Order Guide

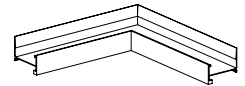
#### 4 - Ramp (optional, order separately)

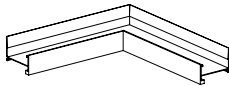


LUMINAIRE ID	MOUNTING <sup>1</sup>	LENGTH	FINISH	OPTION
<b>EVOQRMP</b>				
<b>EVOQRMP</b> - Evoq ramp  	 <u>Field-curvable (mud-in)</u> <b>FC2</b> <sup>2</sup> - Field-curvable ramp with flat edge	<b>4FT</b> - 4' <b>6FT</b> - 6' <b>8FT</b> <sup>4</sup> - 8'	<b>UNF</b> <sup>5</sup> - Unfinished <b>W</b> - Matte white <b>CF#</b> - Custom finish, specify RAL#  <sup>5</sup> Not available with direct mount mounting options.	<b>ECP</b> <sup>6,7</sup> - End caps <b>NA</b> - None  <sup>6</sup> Two end caps are provided. <sup>7</sup> Not available with ADJ.
		<u>Mud-in</u> <b>FE1</b> - Flat edge <b>FE2</b> - Flat edge with air return <b>KE1</b> - Knife edge 35° <b>WCA</b> - Wall cove with adjustable brackets <b>FCS</b> <sup>2</sup> - Flat edge compatible with field-curvable sections  <u>Direct mount</u> <b>DM1</b> - Flat edge direct mount <b>DM2</b> - Flat edge direct mount with gasketed clear cover <b>DM3</b> - Flat edge direct mount with adjustable brackets  <u>Rail for existing coves</u> <sup>3</sup> <b>ADJ</b> - Mounting rail with adjustable brackets		

<sup>1</sup> See pages 7 to 14 for details.  
<sup>2</sup> FCS and FC2 can be installed together. FCS must be installed on straight structures. FC2 can be adjusted on-site to match the curved or straight contours of the wall/ceiling structures.  
<sup>3</sup> For existing coves. No ramp is provided.

#### 5 - Ramp Corners (optional, order separately)

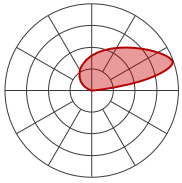


LUMINAIRE ID	MOUNTING <sup>1</sup>	CORNER TYPE <sup>2,3,4</sup>	FINISH
<b>EVOQRMPCOR</b>			
<b>EVOQRMPCOR</b> - Evoq ramp corner  	<u>Mud-in</u> <b>FE1</b> - Flat edge <b>FE2</b> - Flat edge with air return <b>KE1</b> - Knife edge 35° <b>WCA</b> - Wall cove with adjustable brackets <b>FCS</b> - Flat edge compatible with field-curvable sections  <u>Direct mount</u> <b>DM1</b> - Flat edge direct mount <b>DM2</b> - Flat edge direct mount with gasketed clear cover <b>DM3</b> - Flat edge direct mount with adjustable brackets  <sup>1</sup> See pages 7 to 14 for details.	<b>LEVIC(A##)</b> - Leveled inside corner <b>LEVOC(A##)</b> - Leveled outside corner  <sup>2</sup> Not available with ADJ. <sup>3</sup> Specify angle (A##). <sup>4</sup> Corner length is 2x2'. <sup>5</sup> Minimum angle is 30°.	<u>ANGLE (A##):</u> <b>(A90)</b> - 90° <b>(A##)</b> <sup>5</sup> - Custom  <b>UNF</b> <sup>6</sup> - Unfinished <b>W</b> - Matte white <b>CF#</b> - Custom finish, specify RAL#  <sup>6</sup> Not available with direct mount mounting options.



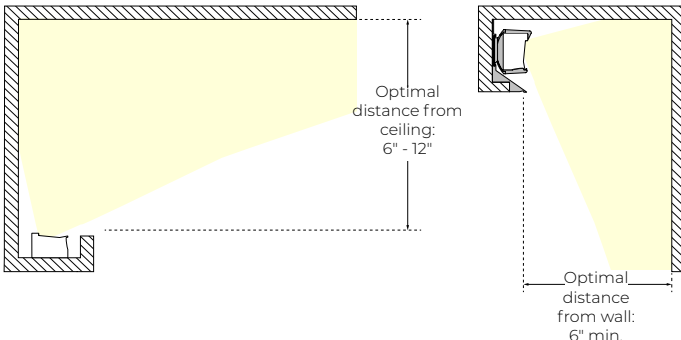
## Fixture

### ASYMMETRIC OPTICS

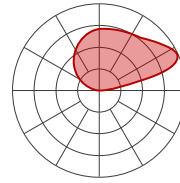


ANO

**ANO** - Asymmetric Narrow Optic

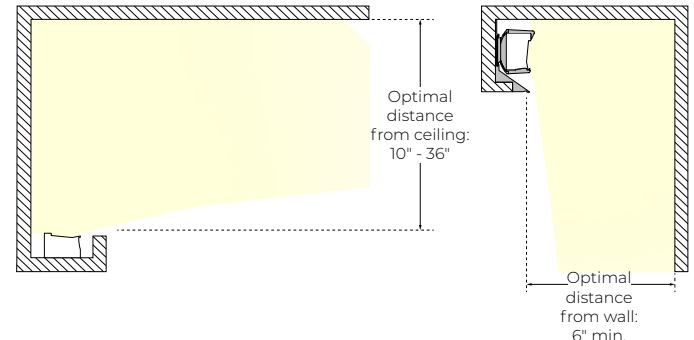


\*Shown with WCA.



AWO

**AWO** - Asymmetric Wide Optic



\*Shown with WCA.

### PHOTOMETRICS

Values calculated based on a 12" module at 3500K for all optics.

#### STATIC WHITE / FULL SPECTRUM

LM/FT	W/FT	LM/W	LM/FT	W/FT	LM/W
350	3.4	103	350	3.5	100
500	5.6	89	500	5.7	88
750	7.7	97	750	7.9	95
1000	9.8	102	1000	10.1	99
1200	11.5	104	1200	11.8	102

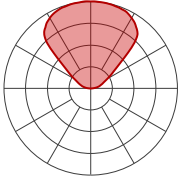
#### SOLA/DUO

### MULTIPLIER TABLES

Use these tables to get results for different color temperatures and CRI.

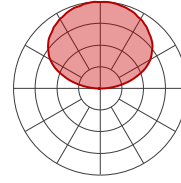
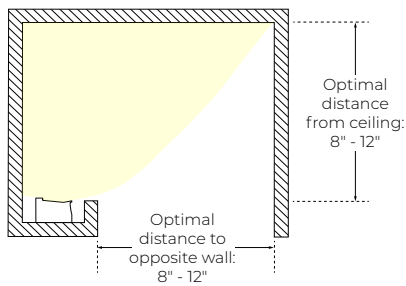
CCT	WATTS	CRI	WATTS
2200K	1.03	80+ CRI / 90+ CRI	1
2700K	1.02	95+ CRI	1.21
3000K	1.00	Full spectrum 95+ CRI	1.49
3500K	1.00		
4000K	0.97		
5000K	0.97		
6500K	0.99		

## SYMMETRIC OPTICS



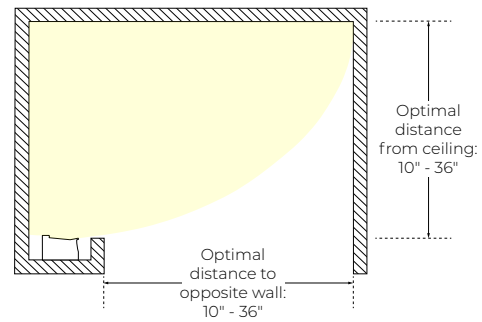
SNO

**SNO** - Symmetric Narrow Optic



SWO

**SWO** - Symmetric Wide Optic



## PHOTOMETRICS

Values calculated based on a 12" module at 3000K for all optics.

### SNO - Symmetric Narrow Optic

STATIC WHITE / FULL SPECTRUM

LM/FT	W/FT	LM/W
350	3.7	94
500	6.1	82
750	8.4	89
1000	10.6	94
1200	12.6	95

SOLA/DUO

LM/FT	W/FT	LM/W
350	3.8	92
500	6.2	80
750	8.6	87
1000	10.9	92
1200	12.9	93

### SWO - Symmetric Wide Optic

STATIC WHITE / FULL SPECTRUM

LM/FT	W/FT	LM/W
350	3.4	102
500	5.6	89
750	7.7	97
1000	9.9	101
1200	11.7	103

SOLA/DUO

LM/FT	W/FT	LM/W
350	3.5	100
500	5.7	87
750	7.9	95
1000	10.1	99
1200	11.9	101

## MULTIPLIER TABLES

Use these tables to get results for different color temperatures and CRI.

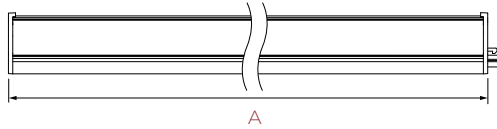
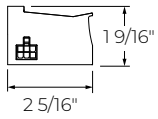
CCT	WATTS	CRI	WATTS
2200K	1.03	80+ CRI / 90+ CRI	1
2700K	1.02	95+ CRI	1.21
3000K	1.00	Full spectrum 95+ CRI	1.49
3500K	1.00		
4000K	0.97		
5000K	0.97		
6500K	0.99		

# EVOQ COMPONENTS

## COVE LIGHTING

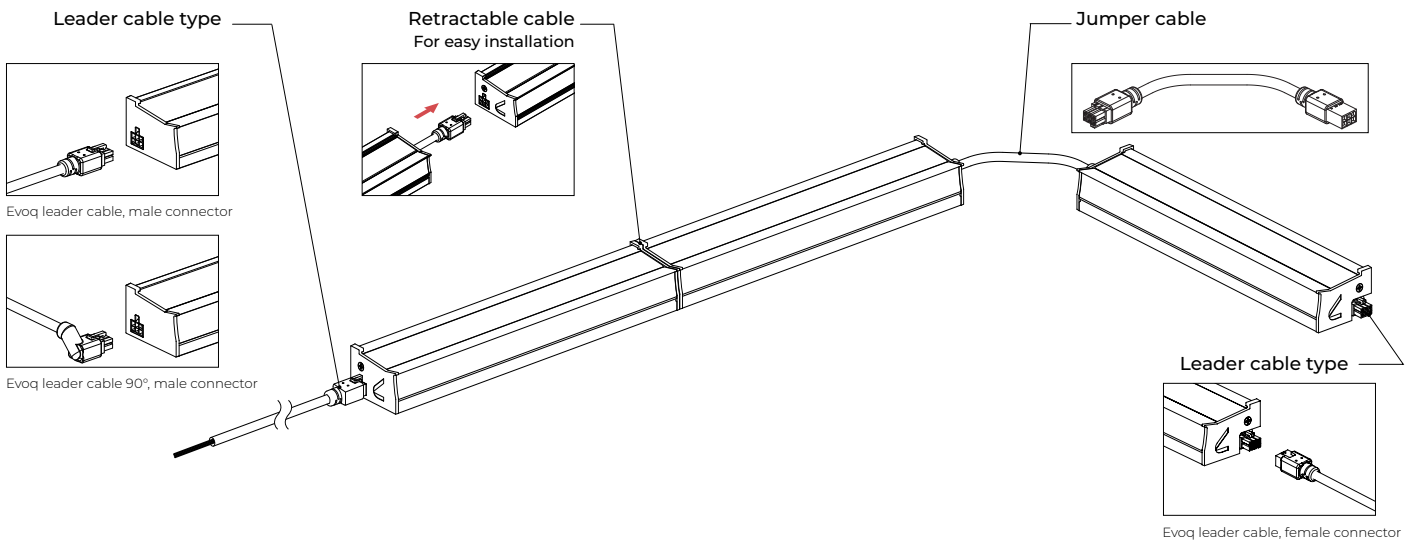


### FIXTURE DIMENSIONS



NOMINAL LENGTH	A TOTAL LENGTH
12 IN	12 1/4"
18 IN	18 1/4"
48 IN	48 1/4"

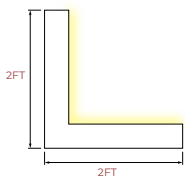
### OVERVIEW



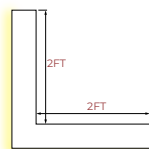
### Maximum run length per leader cable

	350 lm/ft		500 lm/ft		750 lm/ft		1000 lm/ft		1200 lm/ft	
	120V / UNV	277V	120V / UNV	277V	120V / UNV	277V	120V / UNV	277V	120V / UNV	277V
Static white - 80+ CRI/ 90+ CRI	200'	200'	120'	200'	90'	200'	70'	160'	60'	140'
Static white - 95+ CRI	170'	200'	100'	200'	70'	170'	60'	140'	50'	110'
Full spectrum static white	140'	200'	80'	200'	60'	140'	40'	110'	NA	NA
SOLA/DUO	200'	200'	120'	200'	90'	200'	70'	160'	60'	140'

### CORNER TYPES



**LEVIC(A##)** - Leveled inside corner

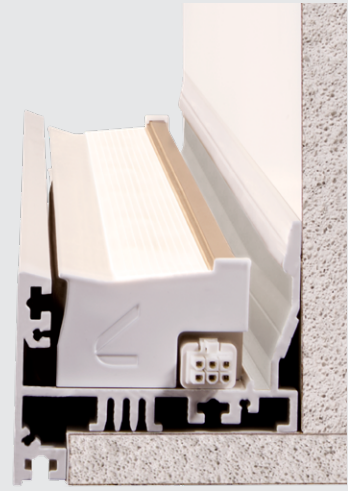
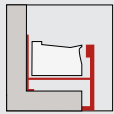


**LEVOC(A##)** - Leveled outside corner

## Mounting

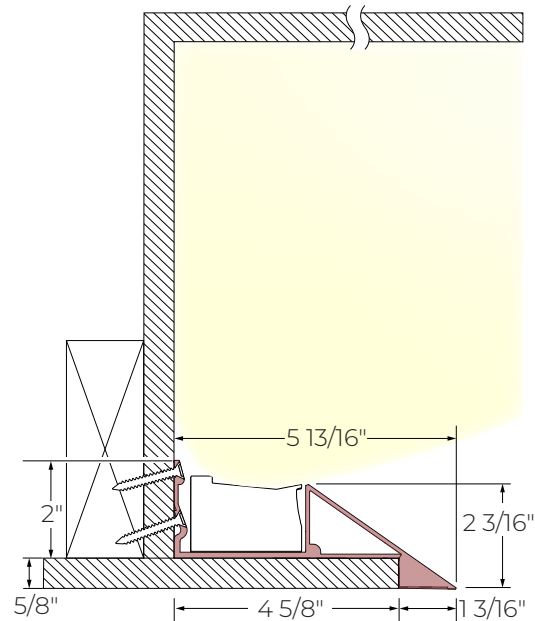
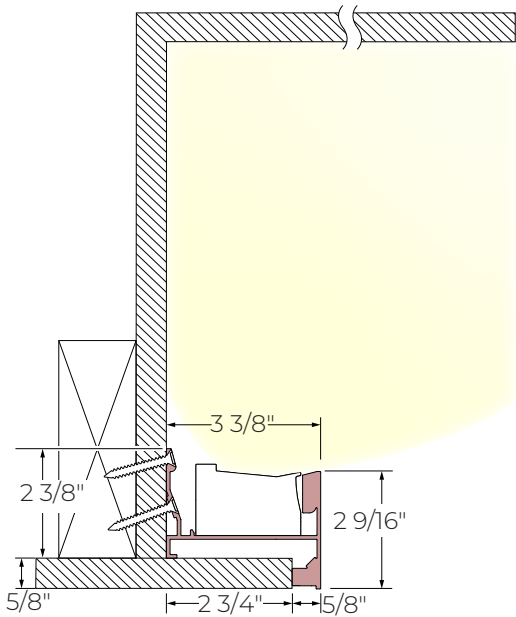
### Mud-in

Evoq Mud-in ramps serve as prebuilt cove structures. They are factory-built and field-cutttable. They require plastering and painting. The ramps come in 4' (FCS only) or 8' sections with integrated alignment joiners and pins for an uninterrupted cove finish.



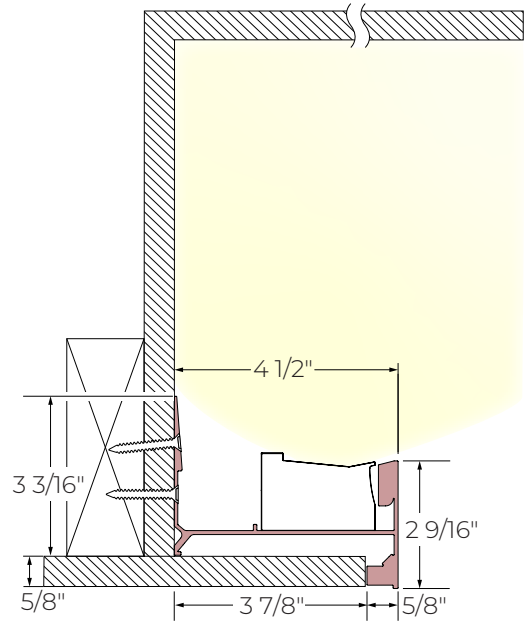
**FE1** - Flat edge mount ramp

**KE1** - Knife edge mount ramp

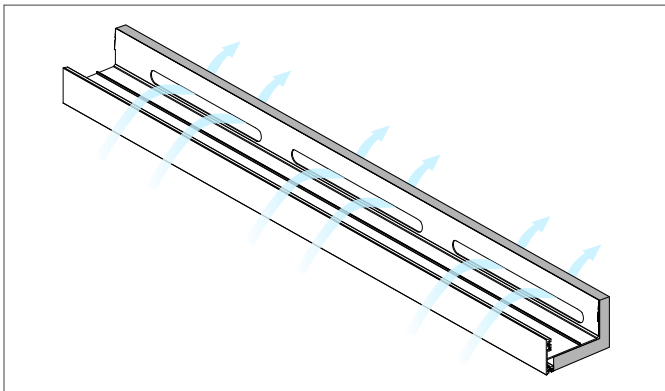
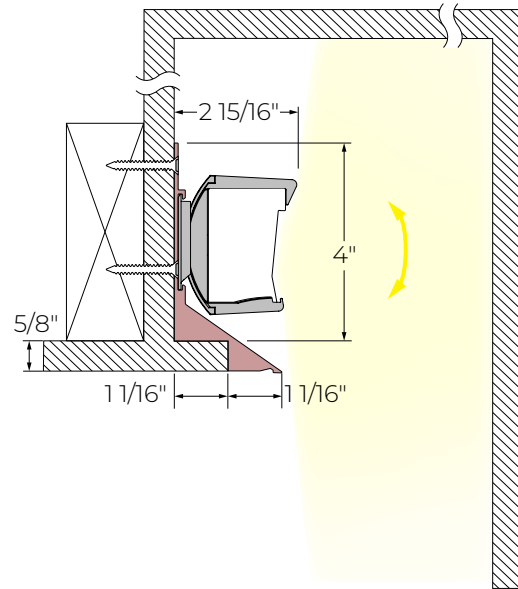


## Mud-In Mounting

**FE2** - Flat edge with air return

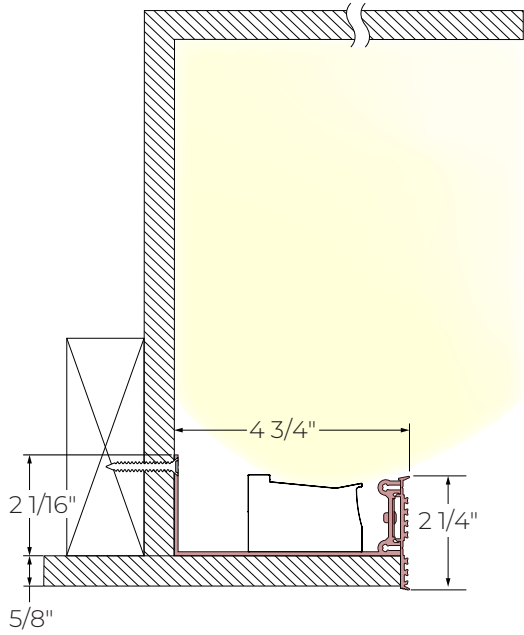


**WCA** - Wall cove with adjustable brackets



## Mud-In Mounting

**FCS** - Flat edge compatible with field-curvable sections

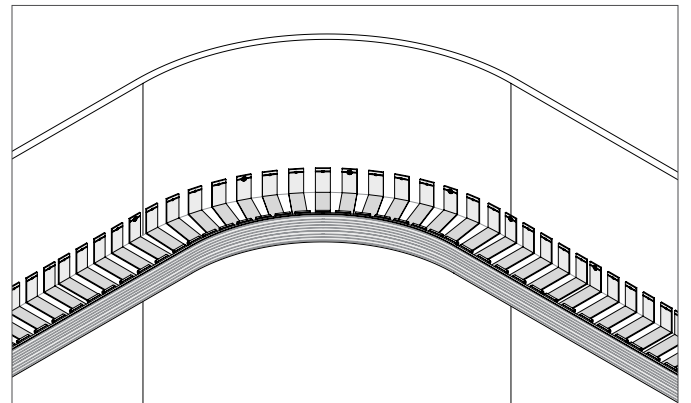
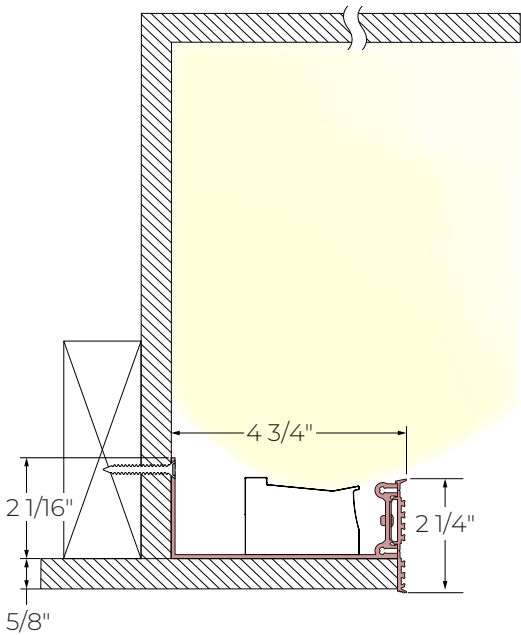


## Field-Curvable (Mud-in)

The Field-Curvable ramps are adjustable on-site to match the curved or straight contours of the wall/ceiling structure. The ramp options come in 4' or 6' sections and are fully field-curveable for curved or straight structures. They are field cuttable and require plastering and painting.

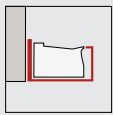


**FC2** - Field-curveable ramp with flat edge



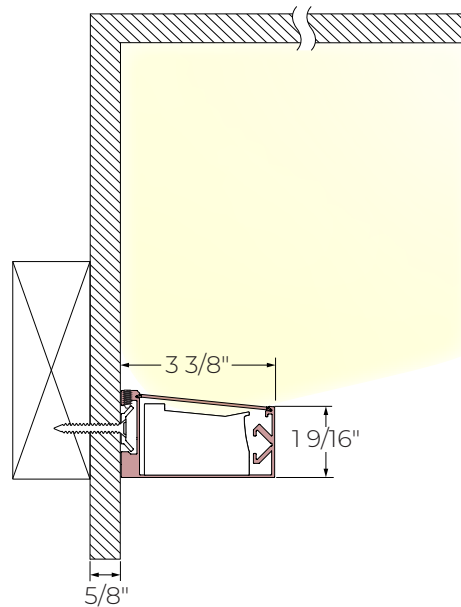
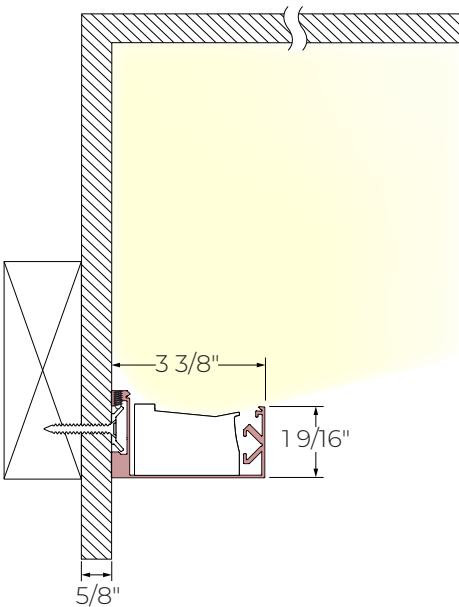
## Direct Mount

Evoq Direct Mount ramps offer prebuilt, finished architectural cove profiles, eliminating the need for plastering and painting. They are field-cutttable for precision fitting and available in 8' sections with integrated alignment joiners and pins for an uninterrupted cove finish.



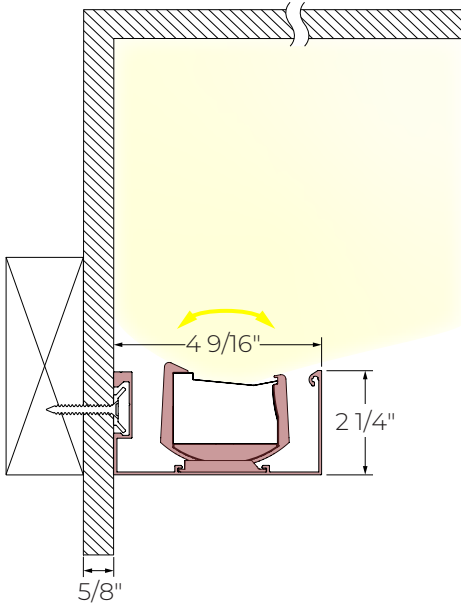
**DM1** - Flat edge direct mount

**DM2** - Flat edge direct mount with gasketed clear cover



## Direct Mount Mounting

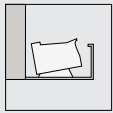
**DM3** - Flat edge direct mount with adjustable brackets



## Additional Options

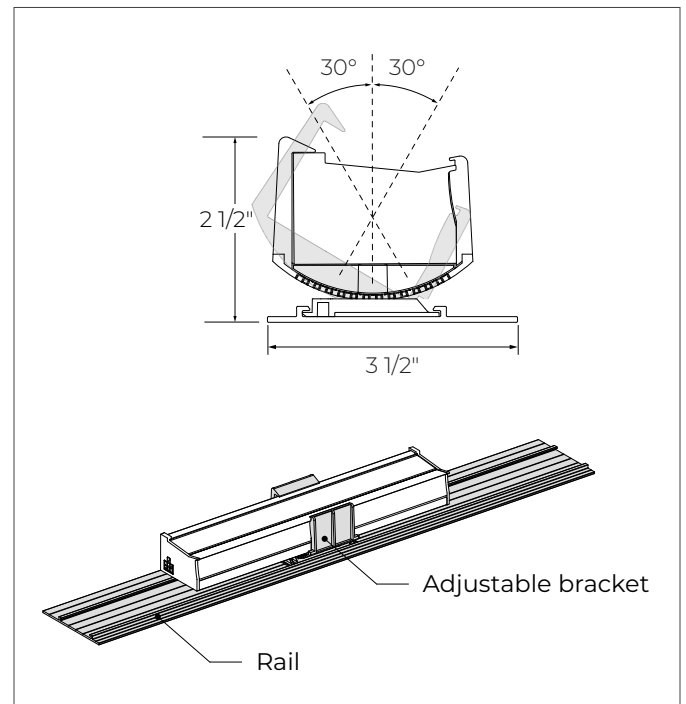
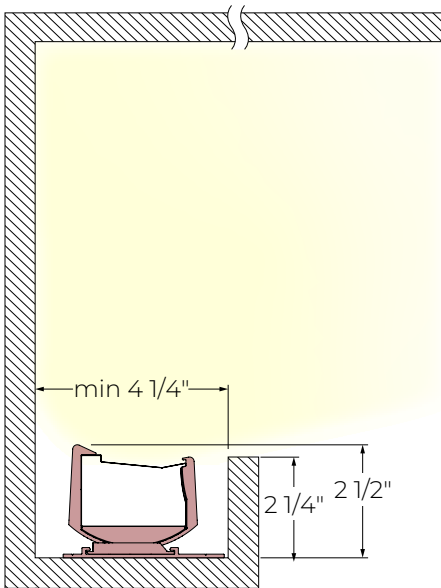
(COVE BY OTHERS)

Evoq fixtures can be integrated into existing coves as standalone fixtures or by using the Mounting Rail with Adjustable Brackets ramp option (ADJ).



### ADJ - Mounting rail with adjustable brackets

Rail for existing coves

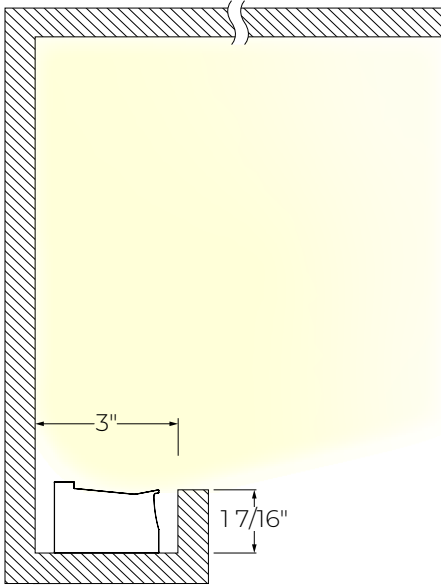


## Additional Options

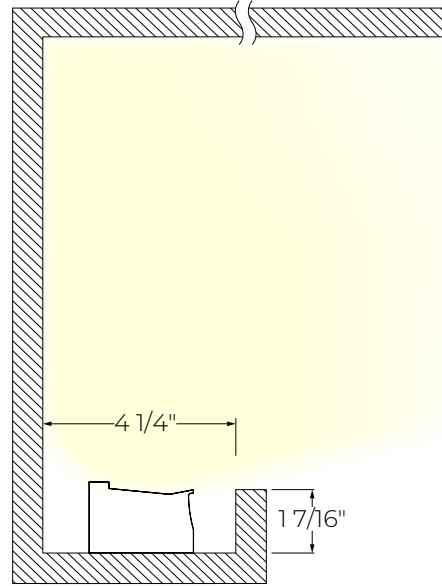
### Fixture only

Recommended cove dimensions

Cove with straight corners



Cove with curved corners



## Technical Specifications

### OPTICS

#### Asymmetric Narrow Optic (ANO)

The Asymmetric Narrow Optic (ANO) is designed specifically for shallow coves with optimal performance achieved with fixture placement at 6"-12" from the ceiling. Its precise projection of light along ceilings and walls is evenly distributed with a soft, homogeneous gradient effect. The ANO peak intensity angle from nadir is at 110°, making it a true asymmetric optic that directs the light where it is intended.

#### Asymmetric Wide Optic (AWO)

The Asymmetric Wide Optic (AWO) excels at maximizing light projection even farther to create a soft gradient illumination with remarkable uniformity in deeper coves. The AWO's optimal performance is achieved with fixture placement at 10"-36" from the ceiling. Its peak intensity angle from nadir is at 107°, creating a true asymmetric optic that aims light exactly where needed.

#### Symmetric Narrow Optic

The Symmetric Narrow Optic (SNO) delivers a focused, evenly balanced beam that defines form and highlights architectural elements with clarity. Ideal for emphasizing linear paths, structural features, or areas needing concentrated illumination, it provides controlled, precise lighting that sharpens visual intent without distraction.

#### Symmetric Wide Optic

The Symmetric Wide Optic (SWO) offers broad, generous illumination that supports general ambient lighting while maintaining a refined architectural presence. Its uniform, evenly diffused output is well-suited for open areas, circulation zones, and spaces where comfortable, consistent coverage is desired without visual noise.

### LIGHT SOURCE

#### Static white

Custom linear array of mid-flux LEDs available in 2200K, 2700K, 3000K, 3500K, 4000K, 5000K, and 6500K with a minimum 80+ CRI and options for 90+ CRI and 95+ CRI with elevated R9 value. Color consistency maintained to within 3 SDCM. All LEDs have been tested in accordance with IESNA LM-80-08 and the results have shown L80 lumen maintenance greater than 60,000 hours. Absolute product photometry is measured and presented in accordance with IESNA LM-79, unless otherwise indicated.

#### Full spectrum static white

The full spectrum LED option offers improved color particularly in the cyan region that is beneficial in both healthcare and circadian lighting strategies. The cyan region in full spectrum LED is richer at the 480 nm range.

#### Chromawerx SOLA

Chromawerx SOLA is single-channel control that dims output while warming the color temperature in a pre-determined relationship. The color temperature range can be specified from the following options: 2200K, 2700K, 3000K, 3500K, 4000K, 5000K, and 6500K. A simple analog control adjusts a specially populated LED array to emulate the effect of dimming a filament source.

#### Chromawerx DUO

Chromawerx DUO offers a two-channel control system which uses analog or digital protocols for synchronous control of both cool to warm LED arrays - maintaining a CRI above 90. The color temperature range can be specified from the following options: 2200K, 2700K, 3000K, 3500K, 4000K, 5000K, and 6500K. The range of color DUO offers is useful for entraining circadian rhythms, stimulating alertness, and compensating for jet lag among other applications. The Chromawerx drivers are programmed to limit maximum light output and power usage across all color temperatures. When paired with DALI drivers (DDA/DDA8), color tuning follows a linear dimming curve.

### LENGTH

Evoq fixtures are available in 12", 18", and 48" lengths. They can be connected with quick connectors to create longer runs.

### ELECTRICAL

Factory-set, adjustable output current LED driver with universal (120-277 VAC) input. Dimmable from 100% to 1% with 0-10V dimming control. Rated life (90% survivorship) of 50,000 hours at 50°C max. ambient (and 70°C max. case) temperature. At maximum driver load: Efficiency>84%, PF>0.9, THD<20%. Other specifiable options include ELV, TRIAC, Lutron Hi-Lume 1% Eco, DALI, eldoLED 1% ECOdrive 0-10V, eldoLED 0.1% SOLOdrive 0-10V, DMX, and Lutron DALI-2 digital protocol drivers. All of our standard 0-10V drivers are NEMA 410 compliant. ELV and TRIAC dimming performance (including minimum dimming percentage) subject to dimmer selection.

## Battery

Each emergency battery (#EMB) powers a 48" module. Specify the number of batteries (#) required.

Factory installed long life, high temperature, maintenance-free Lithium-Ion battery pack with self-test functionality, test switch and charge indicator. Minimum of 90 minutes operation, up to 1000 lumens per 4' (25°C) emergency lighting output and recharge time of 24 hours.

## MOUNTING

Evoq Components are available with mud-in, direct mount or field-curved ramps. The Evoq fixtures can also be used in pre-existing coves either as standalone luminaires or installed with adjustable mounting brackets and rail.

## FINISH

**Mud-in:** Unfinished, matte white, or custom finish

**Direct mount:** Matte white or custom finish

## CONSTRUCTION

**Housing:** Extruded aluminum

**Ramp:** Extruded aluminum

**Lens:** Acrylic

**End cap:** Aluminum

## WEIGHT

### Fixture:

**12":** 1.5 lbs - 0.68 kg

**18":** 2.1 lbs - 0.95 kg

**48":** 4.3 lbs - 1.95 kg

### Ramp:

**FE1:** 1.6 lbs/ft - 0.72 kg/ft

**FE2:** 1.7 lbs/ft - 0.76 kg/ft

**KE1:** 1.8 lbs/ft - 0.83 kg/ft

**WCA:** 1.0 lbs/ft - 0.45 kg/ft

**DM1:** 1.0 lbs/ft - 0.45 kg/ft

**DM2:** 1.1 lbs/ft - 0.50 kg/ft

**DM3:** 1.1 lbs/ft - 0.50 kg/ft

**FCS:** 0.7 lbs/ft - 0.30 kg/ft

**FC2:** 0.7 lbs/ft - 0.30 kg/ft

**ADJ:** 0.4 lbs/ft - 0.20 kg/ft

**CKE1:** 2.2 lbs/ft - 1.00 kg/ft

**CKE2:** 2.4 lbs/ft - 1.11 kg/ft

## CERTIFICATIONS

**ETL:** Rated for indoor dry/damp locations. Conforms to UL Standard 1598 and certified to CAN/CSA Standard C22.2 No. 250.0.

**Declare:** [LBC Red List Approved](#)

## WARRANTY

Lumenwerx provides a five-year limited warranty on electrical and mechanical performance of the luminaires, including the LED boards, drivers, and auxiliary electronics. Lumenwerx will repair or replace defective luminaires or components at our discretion, provided they have been installed and operated in accordance with our specifications. Other limitations apply, please refer to the full warranty on our website.