




## INSTALLATION INSTRUCTIONS

 This product must be installed in accordance with the National Electrical Code and all applicable local codes, by a person familiar with the construction and operation of the product, and the hazards involved. Proper grounding is required for safety.

Ce produit doit être installé suivant le code national de l'électricité, ainsi que tous les codes locaux applicables, par une personne familière avec la construction et le fonctionnement du produit, ainsi que tous les risques qui y sont associés. La mise à terre électrique est obligatoire pour la sécurité.

 Disconnect power before installation or servicing.

 Do not cover the light element lens or heatsink with any materials or adhesive tapes when the fixture is powered.

 Handle the LED cartridge carefully during removal and installation. Tools must not touch the LED chips. Contact may result in damage and LED failure.

 Wire dimming conductors as Class 1.

 A luminaire with more than one power supply connection means shall be connected to only one branch circuit.

 For luminaires specified as recessed, clearance between the sides of the luminaire and parts of the building must be 1/2" minimum; clearance to insulating materials to be 3" minimum, unless luminaire is IC rated.

 Warranty claims will not be accepted if incorrect driver or light element is used.

## INSTALLATION INSTRUCTIONS

For electrical connections, please refer to the [wiring diagram guide](#).

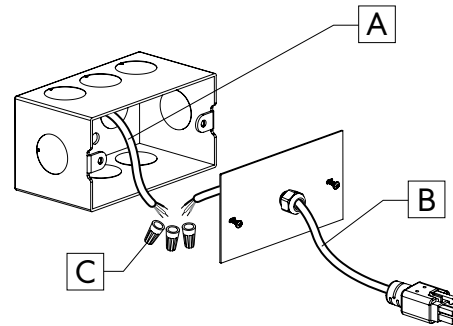
For remote driver box installation instructions, please refer to the [remote driver installation sheet](#).



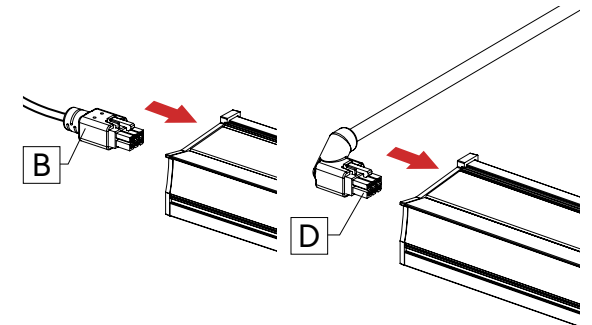
### 1 MAKE ELECTRICAL CONNECTIONS.

Make electrical connections between the main power [A] and the provided leader cable [B] with wire nuts [C] inside the junction box.

**Warning:** A luminaire with more than one power supply connection means shall be connected to only one branch circuit.

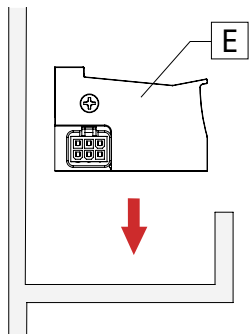


Connect the provided straight leader cable [B] or 90° leader cable [D] to the fixture.

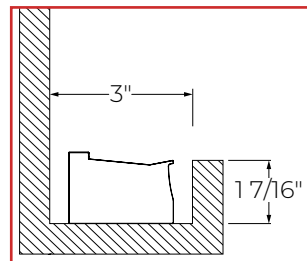


### 2 PLACE FIXTURE.

Place the fixture [E] into the cove.

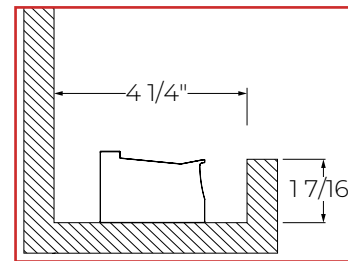


COVE WITH STRAIGHT CORNERS



Recommended cove dimensions

COVE WITH CURVED CORNERS

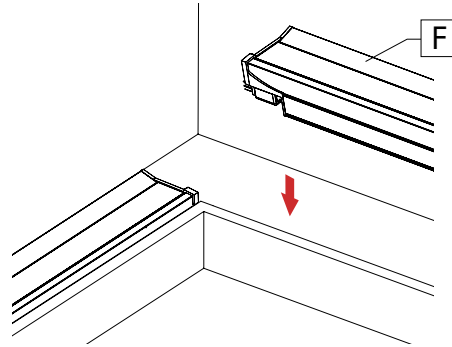


Recommended cove dimensions

## INSTALLATION INSTRUCTIONS

### 3 PLACE NEXT FIXTURE.

Place next fixture [F] into the cove.

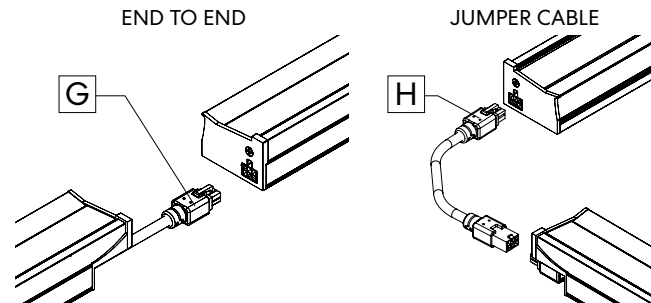


### 4 REPEAT STEPS 2 - 3 FOR THE REST OF THE FIXTURES IN THE RUN.

### 5 CONNECT FIXTURES.

Make electrical connections between fixtures by using integrated retractable connection cable [G].

To connect fixture further away from each other, or in a corner, use the provided jumper cable [H].



#### Maximum run length per leader cable

	350 lm/ft		500 lm/ft		750 lm/ft		1000 lm/ft		1200 lm/ft	
	120V / UNV	277V	120V / UNV	277V	120V / UNV	277V	120V / UNV	277V	120V / UNV	277V
Static white - 80+ CRI/ 90+ CRI	200'	200'	120'	200'	90'	200'	70'	160'	60'	140'
Static white - 95+ CRI	170'	200'	100'	200'	70'	170'	60'	140'	50'	110'
Full spectrum static white	140'	200'	80'	200'	60'	140'	40'	110'	NA	NA
SOLA/DUO	200'	200'	120'	200'	90'	200'	70'	160'	60'	140'