




INSTALLATION INSTRUCTIONS

 This product must be installed in accordance with the National Electrical Code and all applicable local codes, by a person familiar with the construction and operation of the product, and the hazards involved. Proper grounding is required for safety.

Ce produit doit être installé suivant le code national de l'électricité, ainsi que tous les codes locaux applicables, par une personne familière avec la construction et le fonctionnement du produit, ainsi que tous les risques qui y sont associés. La mise à terre électrique est obligatoire pour la sécurité.

 Disconnect power before installation or servicing.

 Do not cover the light element lens or heatsink with any materials or adhesive tapes when the fixture is powered.

 Handle the LED cartridge carefully during removal and installation. Tools must not touch the LED chips. Contact may result in damage and LED failure.

 Wire dimming conductors as Class 1.

 A luminaire with more than one power supply connection means shall be connected to only one branch circuit.

 For luminaires specified as recessed, clearance between the sides of the luminaire and parts of the building must be 1/2" minimum; clearance to insulating materials to be 3" minimum, unless luminaire is IC rated.

 Warranty claims will not be accepted if incorrect driver or light element is used.

INSTALLATION INSTRUCTIONS



For electrical connections, please refer to the [wiring diagram guide](#).

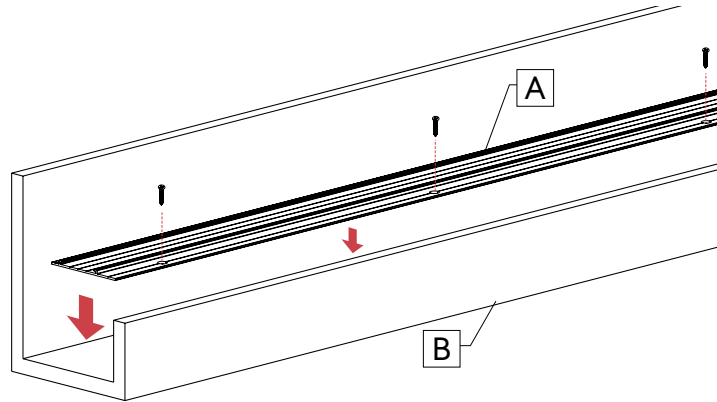


For remote driver box installation instructions, please refer to the [remote driver installation sheet](#).

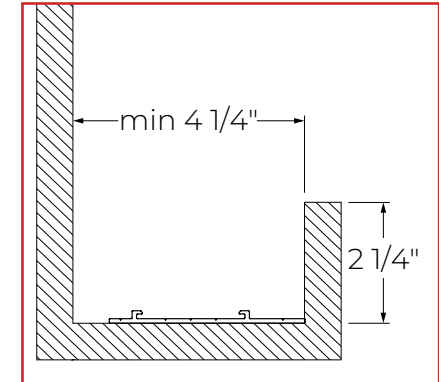


1 INSTALL THE MOUNTING RAIL IN THE EXISTING COVES.

Put the mounting rail [A] into the existing cove [B], secure with screws (by others).



RAIL FOR EXISTING COVES

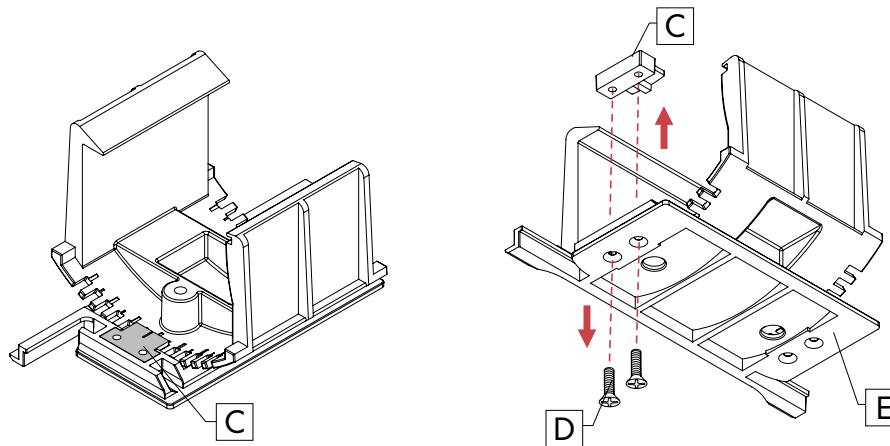


Note: Recommended cove dimensions

Note: Place the mounting rail inside the cove with the wider edge of the rail touching the cove face.

2 PREPARE THE ADJUSTABLE BRACKET.

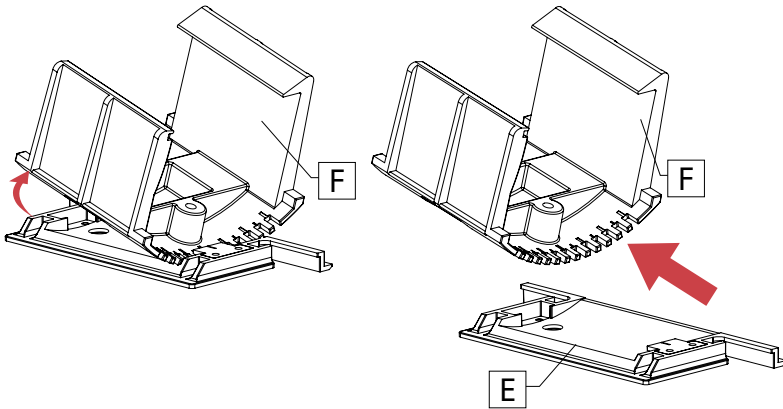
Remove the angle adjustment lock [C] and flat head screws [D] from the adjustable bracket [E].



INSTALLATION INSTRUCTIONS

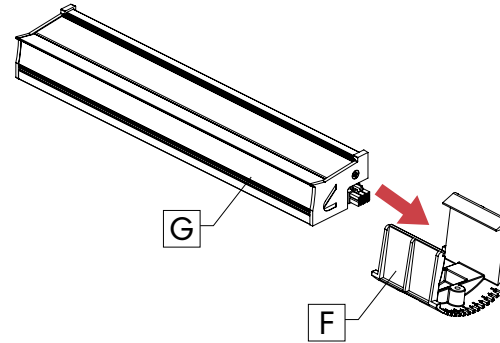
3 REMOVE FIXTURE HOLDER.

Tilt the fixture holder [F] upward and remove it from the adjustable bracket [E].

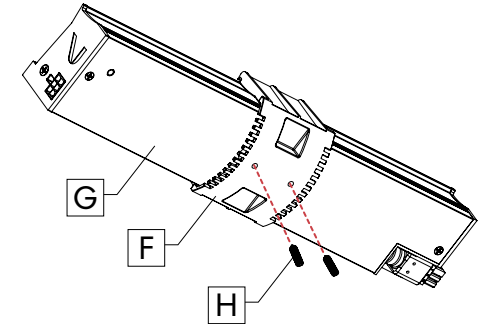


4 INSTALL THE FIXTURE.

Slide the fixture [G] through the fixture holder [F].



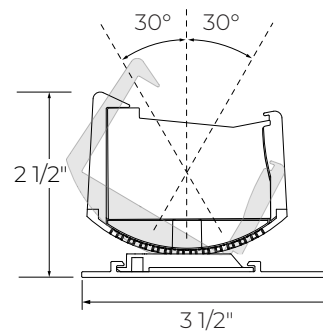
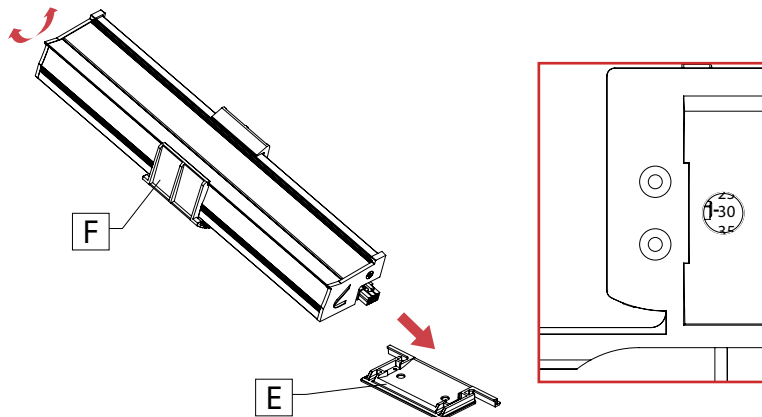
Secure the fixture [G] into the fixture holder [F] with set screws [H] using 5/64" Allen key.



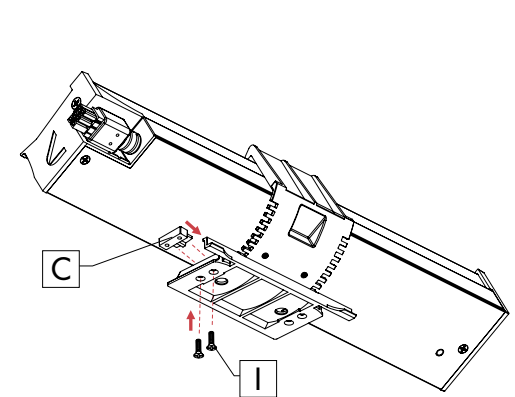
5 INSTALL FIXTURE HOLDER.

Rotate the fixture holder [F] to the right angle. Re-install the fixture holder [F] on the adjustable bracket [E].

Note: A gradation system is found underneath the fixture holder.



Re-install the angle adjustment lock [C] and secure it at the desired angle with the flat head screws [I].



EVOQ

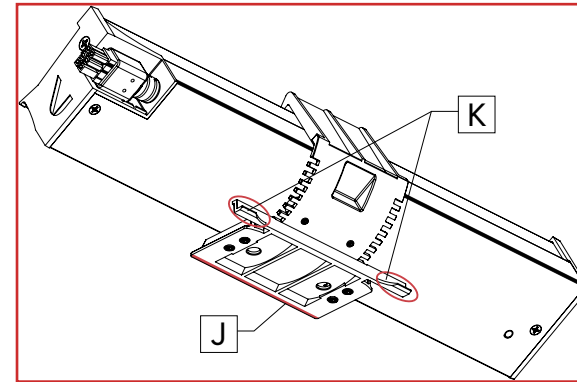
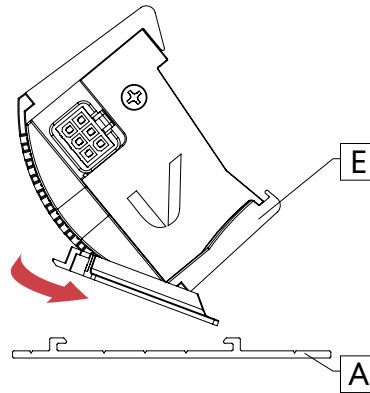
Mounting Rail With Adjustable Brackets - ADJ



INSTALLATION INSTRUCTIONS

6 INSTALL THE ADJUSTABLE BRACKET.

Install the adjustable bracket [E] on the mounting rail [A]. Slide the straight side of the bracket [J] in the mounting rail [A] and then snap the two tabs into place [K].



7 REPEAT STEPS 2 - 6 OF THE ADJUSTABLE BRACKET INSTALLATION SECTION FOR THE REST OF THE FIXTURES IN THE RUN.

FIXTURE INSTALLATION AND ELECTRICAL CONNECTIONS

1 INSTALL EVOQ FIXTURES AND MAKE ELECTRICAL CONNECTIONS.



For fixture installation, please refer to the [Evoq fixture installation sheet](#) for more information.

