




INSTALLATION INSTRUCTIONS

 This product must be installed in accordance with the National Electrical Code and all applicable local codes, by a person familiar with the construction and operation of the product, and the hazards involved. Proper grounding is required for safety.

Ce produit doit être installé suivant le code national de l'électricité, ainsi que tous les codes locaux applicables, par une personne familière avec la construction et le fonctionnement du produit, ainsi que tous les risques qui y sont associés. La mise à terre électrique est obligatoire pour la sécurité.

 Disconnect power before installation or servicing.

 Do not cover the light element lens or heatsink with any materials or adhesive tapes when the fixture is powered.

 Handle the LED cartridge carefully during removal and installation. Tools must not touch the LED chips. Contact may result in damage and LED failure.

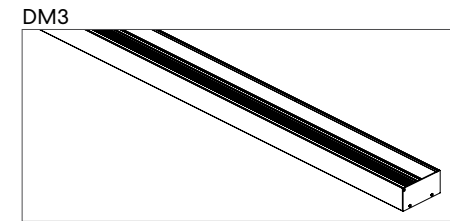
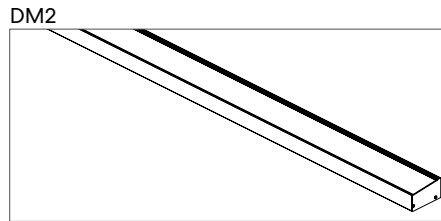
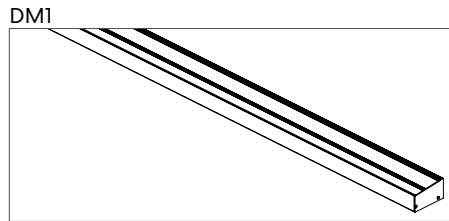
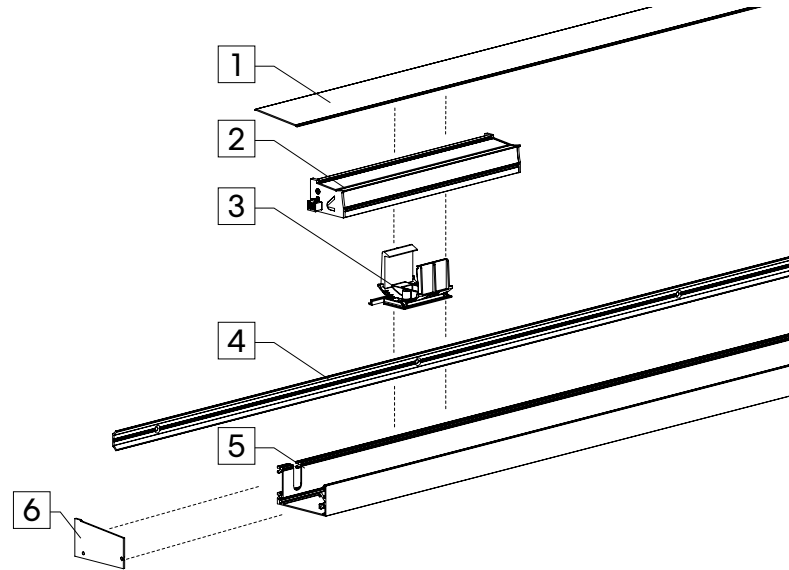
 Wire dimming conductors as Class 1.

 A luminaire with more than one power supply connection means shall be connected to only one branch circuit.

 For luminaires specified as recessed, clearance between the sides of the luminaire and parts of the building must be 1/2" minimum; clearance to insulating materials to be 3" minimum, unless luminaire is IC rated.

 Warranty claims will not be accepted if incorrect driver or light element is used.

INSTALLATION INSTRUCTIONS



For electrical connections, please refer to the [wiring diagram guide](#).



For remote driver box installation instructions, please refer to the [remote driver installation sheet](#).



INDEX

| | |
|--|---------------------|
| Ramp Installation..... | P.3 |
| DM3 (only) - adjustable bracket installation..... | P.5 |
| Fixture installation and electrical connections..... | P.7 |
| DM2 (only) - Clear gasketed cover installation..... | P.7 |

ITEMS LIST

| | |
|---|--------------------------------|
| 1 | Clear gasketed lens (DM2 only) |
| 2 | Fixture |
| 3 | Adjustable bracket (DM3 only) |
| 4 | Rail |
| 5 | Ramp |
| 6 | End cap (Optional) |

TOOLS REQUIRED

- Phillips screwdriver
- 1/2" Drill bit
- #10 Screws (by others)
- 5/64" Allen key

RAMP INSTALLATION

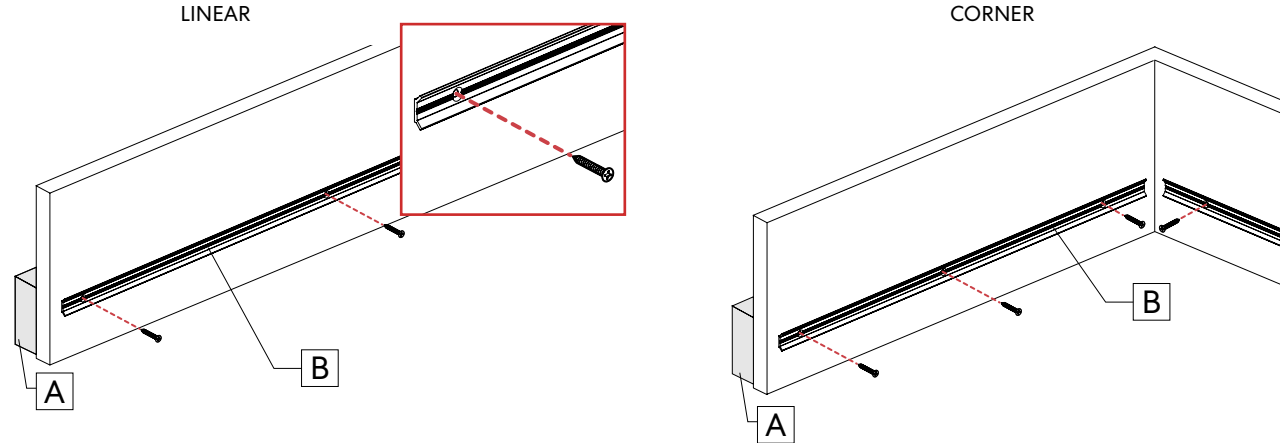
1 INSTALL RAIL MOUNTING TO BEAMS.

Locate the support beams [A] and trace a reference line on the wall to indicate where to install the rail [B].

With the help of a level, anchor the rail [B] onto the beams with #10 screws.

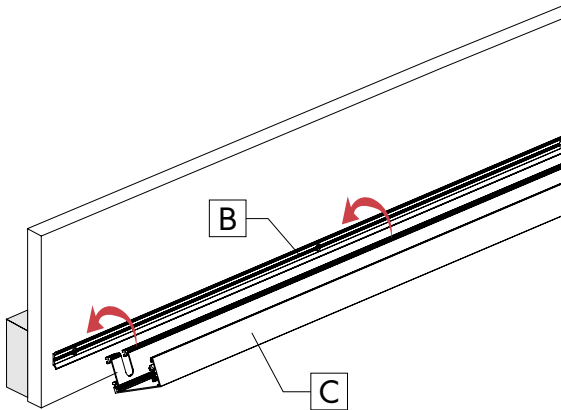
Anchor all the rails to the beams.

Note: Power cable hole - \varnothing 1/2"



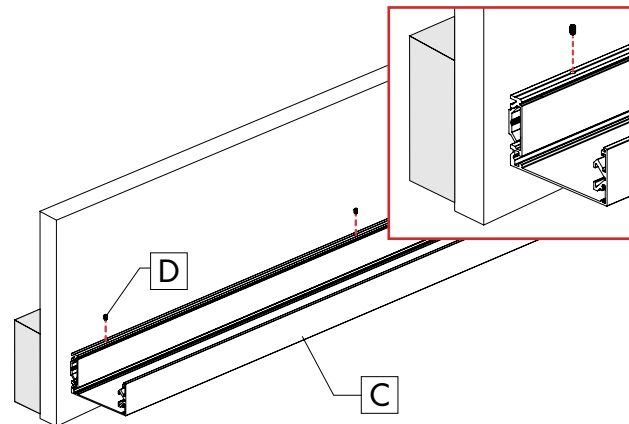
2 INSTALL RAMP TO RAIL.

Slide the ramp [C] over the rail [B].

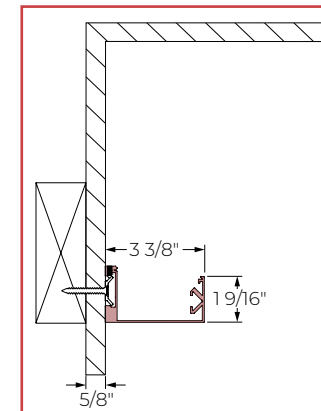


3 SECURE RAMP TO RAIL.

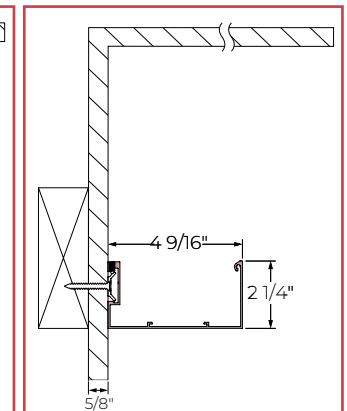
Secure the ramp [C] with set screws [D] using a 5/64" Allen key.



DM1 / DM2



DM3

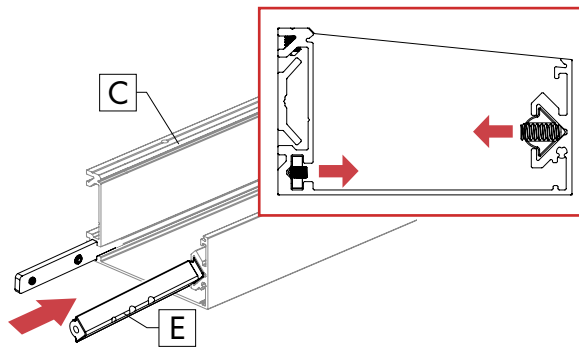


RAMP INSTALLATION

4 LOOSEN THE JOINER.

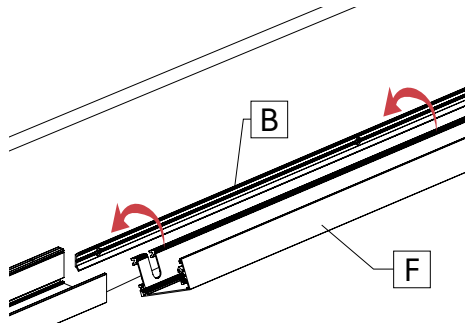
Loosen the set screws on the joiner [E].

Slide the joiners [E] all the way into the ramp [C].

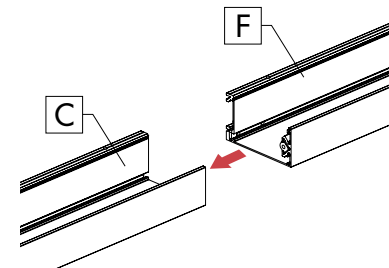


5 INSTALL RAMP.

Slide the next ramp [F] over the rail [B].

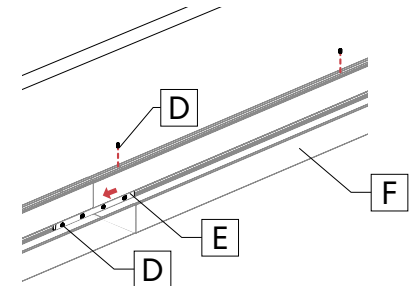


Align the next ramp [F] to the 1st ramp [C].



Secure the next ramp [F] using the set screws [D].

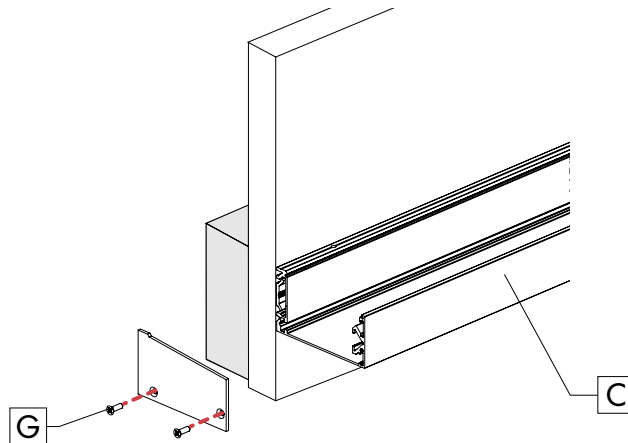
Slide the joiners to center between both ramps, and tighten the joiners [E] set screws [D].



6 REPEAT STEPS 2 - 5 OF THE RAMP INSTALLATION SECTION FOR THE REST OF THE RUN.

7 INSTALL END CAPS. OPTIONAL

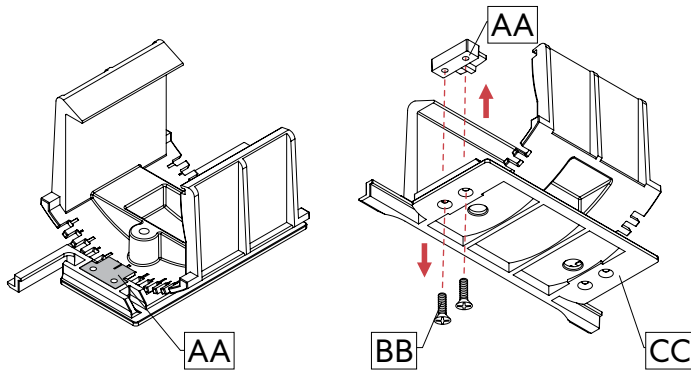
Place end caps [G], if provided, at the extremities of the ramp [C] and secure them with screws.



DM3 (ONLY) - ADJUSTABLE BRACKET INSTALLATION

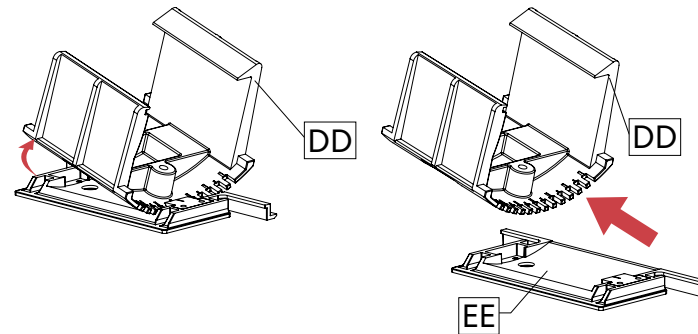
1 PREPARE THE ADJUSTABLE BRACKET.

Remove the angle adjustment locks [AA] and flat head screws [BB] from the adjustable bracket assembly [CC].



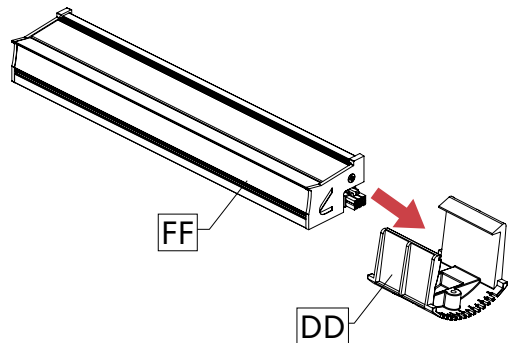
2 REMOVE FIXTURE HOLDER.

Tilt the fixture holder [DD] upward and remove it from the adjustable bracket [EE].

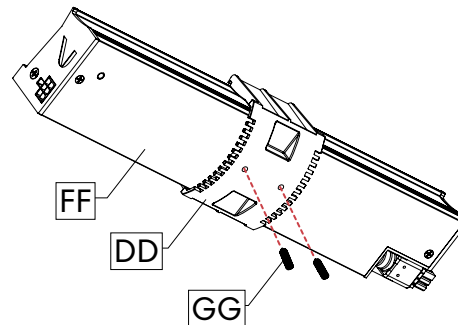


3 INSTALL THE FIXTURE.

Slide the fixture [FF] through the fixture holder [DD].



Secure the fixture [FF] into the fixture holder [DD] with set screws [GG] using 5/64" Allen key.



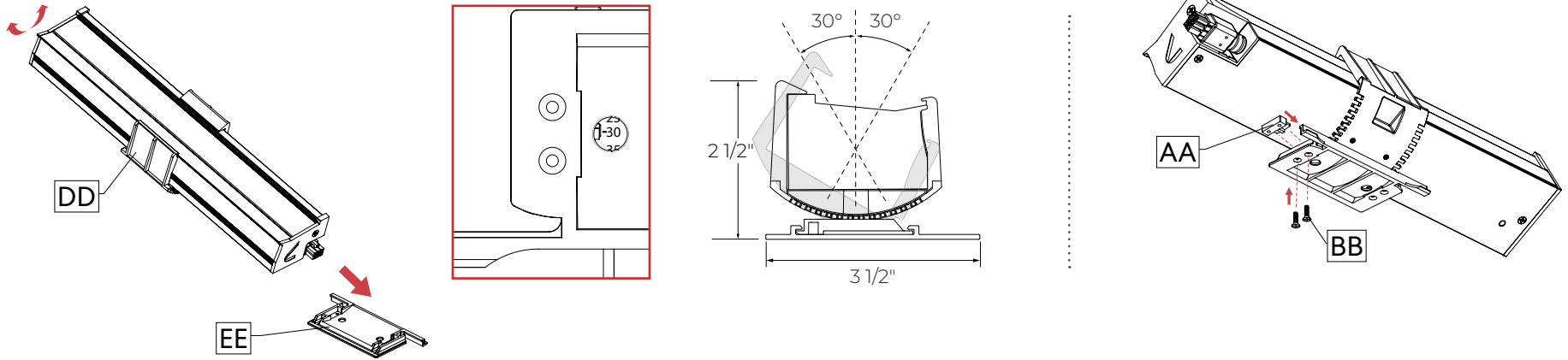
DM3 (ONLY) - ADJUSTABLE BRACKET INSTALLATION

4 INSTALL FIXTURE HOLDER.

Rotate the fixture holder [DD] to the right angle. Re-install the fixture holder [DD] on the adjustable bracket assembly [EE].

Note: A gradation system is found underneath the fixture holder.

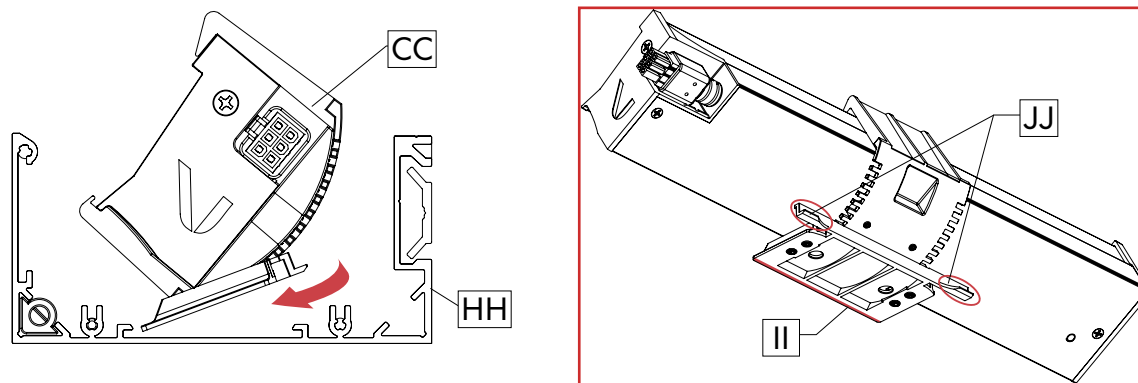
Re-install the angle adjustment locks [AA] and secure it at the desired angle with the flat head screws [BB].



5 INSTALL THE ADJUSTABLE BRACKET.

Install the adjustable bracket assembly [CC] on the mounting rail [HH].

Slide the straight side of the bracket [II] in the mounting rail [HH] and then snap the two tabs into place [JJ].



6 REPEAT STEPS 1 - 5 OF THE ADJUSTABLE BRACKET INSTALLATION SECTION FOR THE REST OF THE FIXTURES IN THE RUN.

EVOQ

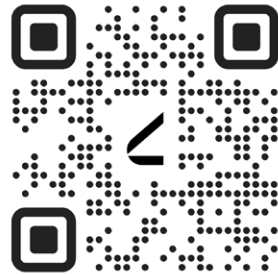
Direct mount - DM1 / DM2 / DM3

FIXTURE INSTALLATION AND ELECTRICAL CONNECTIONS

1 INSTALL EVOQ FIXTURES AND MAKE ELECTRICAL CONNECTIONS.



For fixture installation, please refer to the [Evoq fixture installation sheet](#) for more information.

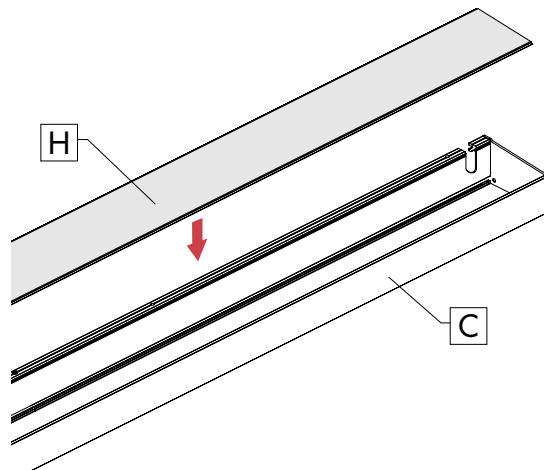


DM2 (ONLY) - GASKETED CLEAR COVER INSTALLATION

1 INSTALL GASKETED CLEAR COVER.

Place the gasketed clear cover **[H]** over the ramp **[C]** and snap it into place.

LINEAR



CORNER

