




INSTALLATION INSTRUCTIONS

 This product must be installed in accordance with the National Electrical Code and all applicable local codes, by a person familiar with the construction and operation of the product, and the hazards involved. Proper grounding is required for safety.

Ce produit doit être installé suivant le code national de l'électricité, ainsi que tous les codes locaux applicables, par une personne familière avec la construction et le fonctionnement du produit, ainsi que tous les risques qui y sont associés. La mise à terre électrique est obligatoire pour la sécurité.

 Disconnect power before installation or servicing.

 Do not cover the light element lens or heatsink with any materials or adhesive tapes when the fixture is powered.

 Handle the LED cartridge carefully during removal and installation. Tools must not touch the LED chips. Contact may result in damage and LED failure.

 Wire dimming conductors as Class 1.

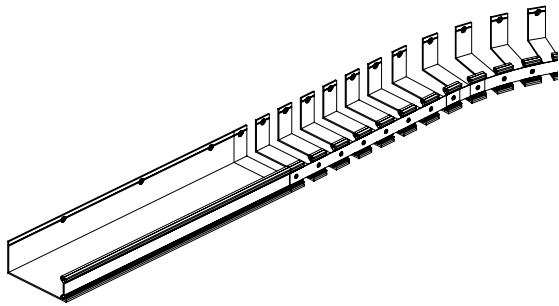
 A luminaire with more than one power supply connection means shall be connected to only one branch circuit.

 For luminaires specified as recessed, clearance between the sides of the luminaire and parts of the building must be 1/2" minimum; clearance to insulating materials to be 3" minimum, unless luminaire is IC rated.

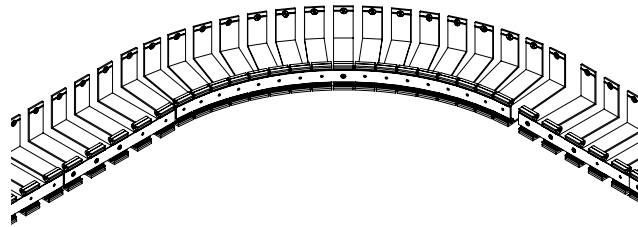
 Warranty claims will not be accepted if incorrect driver or light element is used.

INSTALLATION INSTRUCTIONS

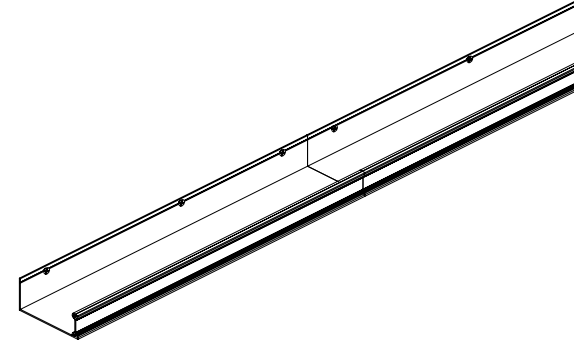
FC1



FC2



FC3



For electrical connections, please refer to the [wiring diagram guide](#).



For remote driver box installation instructions, please refer to the [remote driver installation sheet](#).



INDEX

Installation.....	P.3
Fixture installation and electrical connections.....	P.7

TOOLS REQUIRED

- Level
- Drill
- Plastering tools
- #6 1", self tapping screws
- #6 3/8", Phillips rounded head screws
- #8 5/8", Flat head screws for sheet metal

INSTALLATION

1 INSTALL FIRST RAMP TO BEAMS.

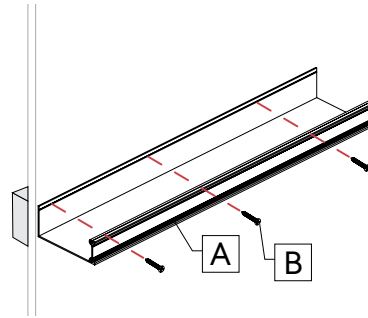
Locate the support beams. Trace a reference line based on the center line marker on the ramp [A] anchoring holes.

With the help of a level, anchor the ramp [A] onto the beams with #8 screws [B].

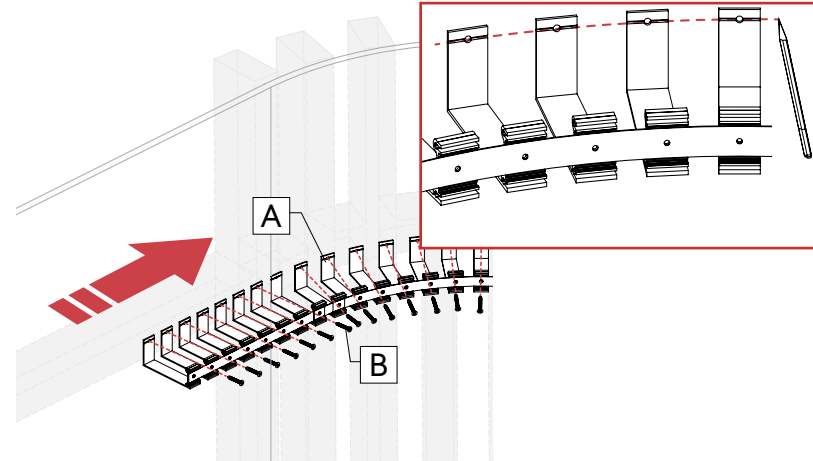
For the curved segments, install one bracket at a time from one side to the other to evenly lay out field-curvable ramp [A].

Note: Power cable hole - $\varnothing 1/2"$

STRAIGHT SEGMENT



CURVED SEGMENT



2 INSTALL RAMPS.

Align the 2nd ramp [C] to the 1st ramp [A] using a level.

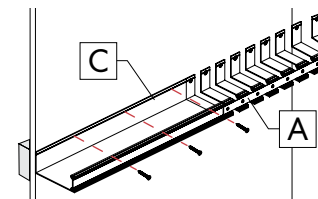
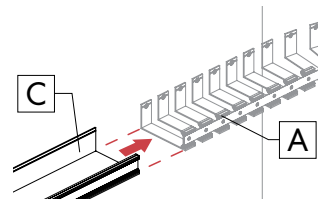
Anchor the 2nd ramp [C] onto the beams with #8 screws [B].

For field-curvable sections, start anchoring from the side that is closer to the 1st ramp [A]. Fix one bracket at a time, working toward the other end of the section to evenly lay out the field-curvable ramp [A].

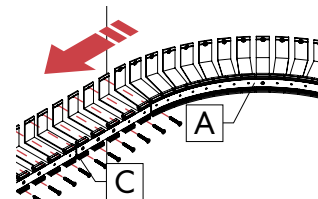
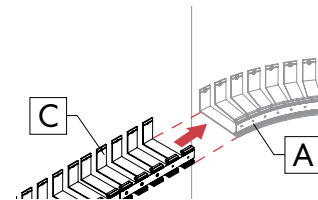
Note: Repeat this step for all ramp sections.

Note: Power cable hole - $\varnothing 1/2"$

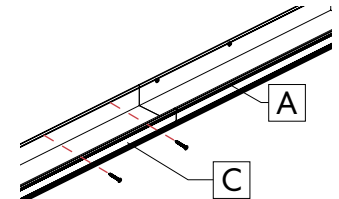
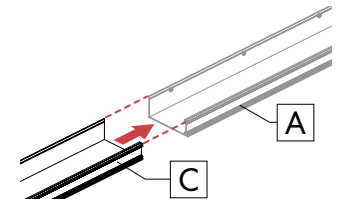
FC1



FC2



FCS



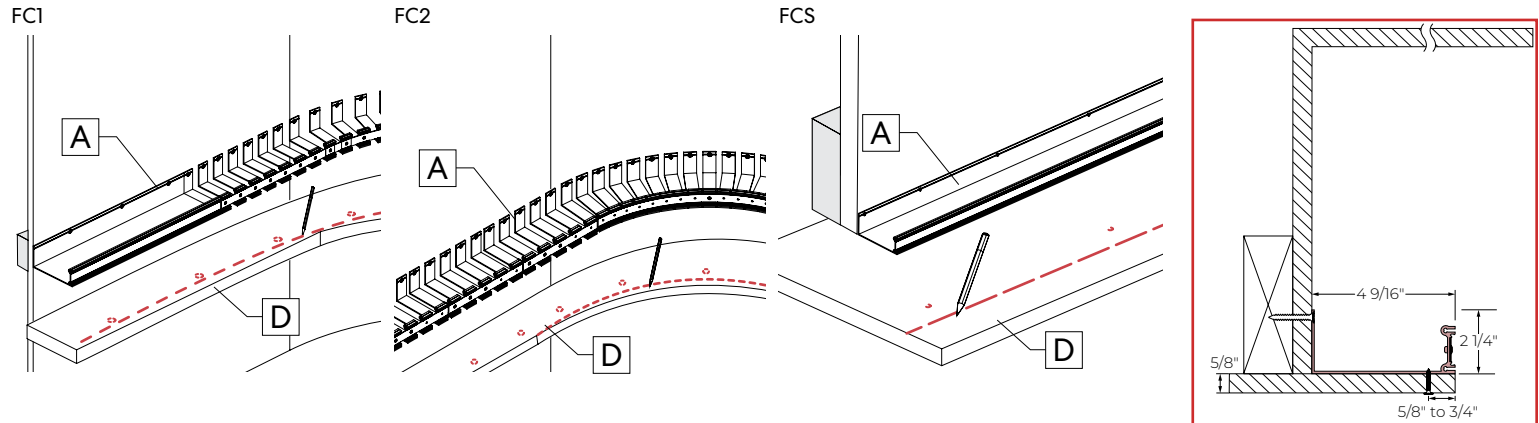
INSTALLATION

3 MARK DRYWALL.

To indicate where to cut the drywall piece [D], mark a line according to the dimensions of the ramp [A].

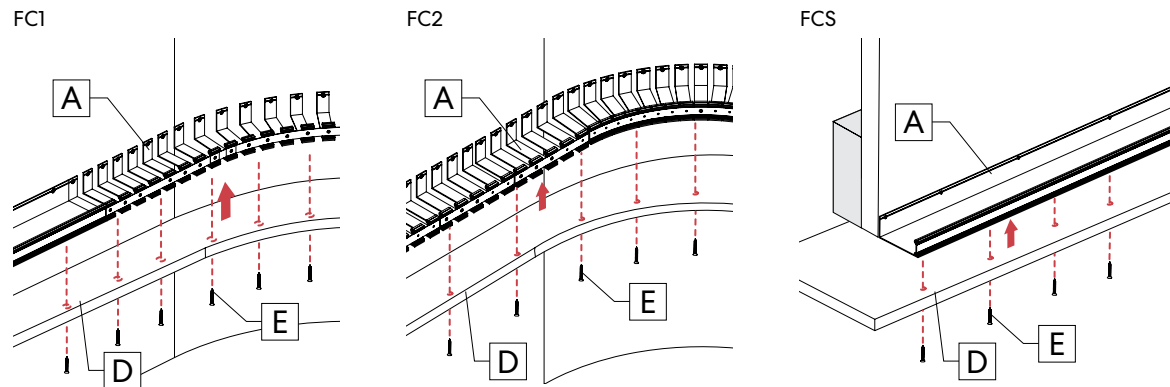
To indicate where to screw the drywall piece [D] to the ramp [A], mark the location of the screws $5/8"$ to $3/4"$ from the outer edge every 6 to 8 inches.

Note: See the section view for dimensions.



4 INSTALL DRYWALL ON RAMP.

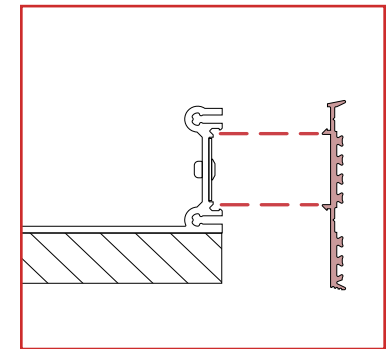
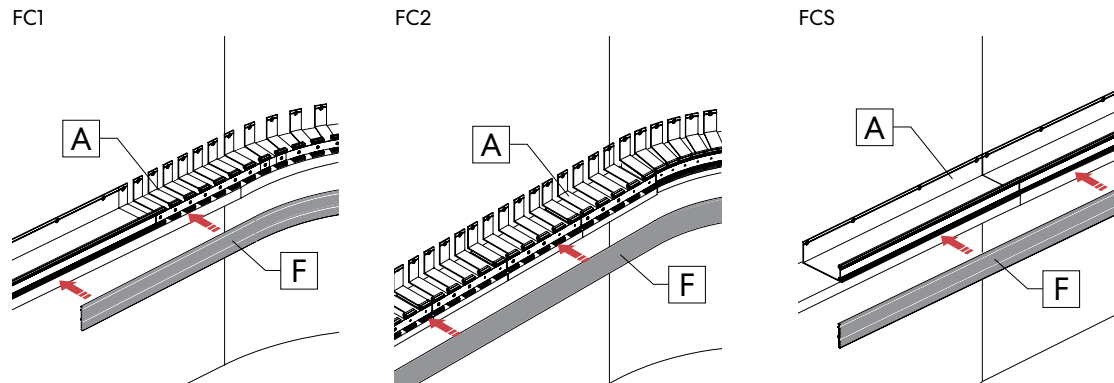
Cut and install drywall piece [D] on ramp [A] with 1" long, #6 self-tapping screws [E] (by others).



INSTALLATION

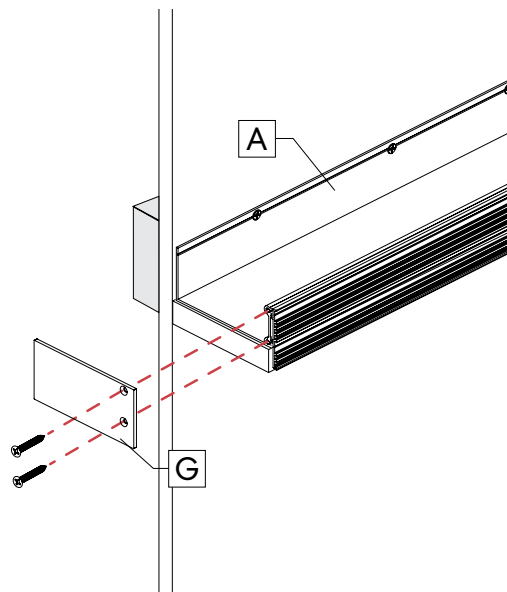
5 INSTALL FASCIA.

Install fascia [F] by clipping it to the ramp [A]. Secure it with 3/8" long, #6 Phillips rounded head screws for sheet metal.



6 INSTALL END CAPS. OPTIONAL

Gently fasten end caps [G], if provided, at the extremities of the ramp [A] and secure them with 5/8" long, #8 flat head screws for sheet metal.



INSTALLATION

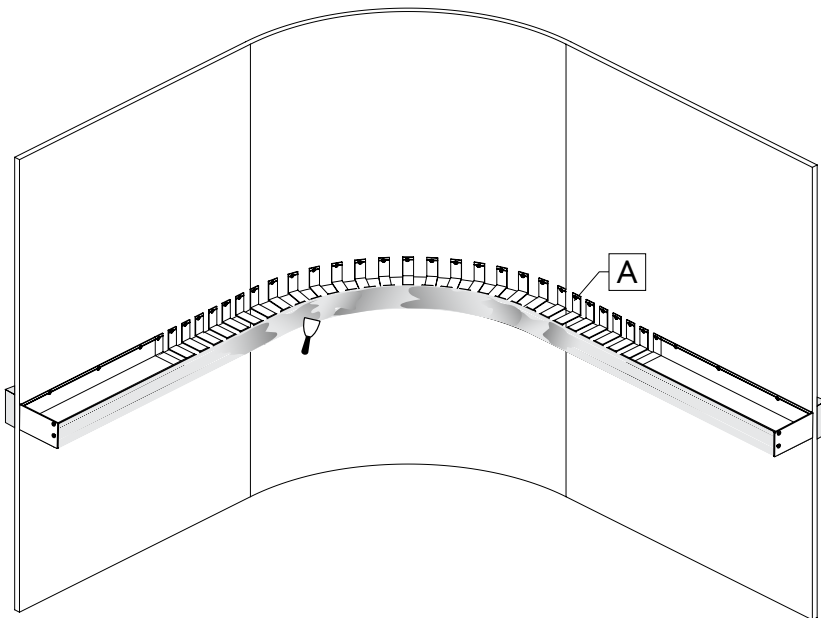
7 FINISH RAMP.

Place drywall tape on the underside space between fascia and the drywall and between joining sections. Mud accordingly, dry and sand evenly. Apply primer paint. Dry and paint the ramp **[A]** the desired color.

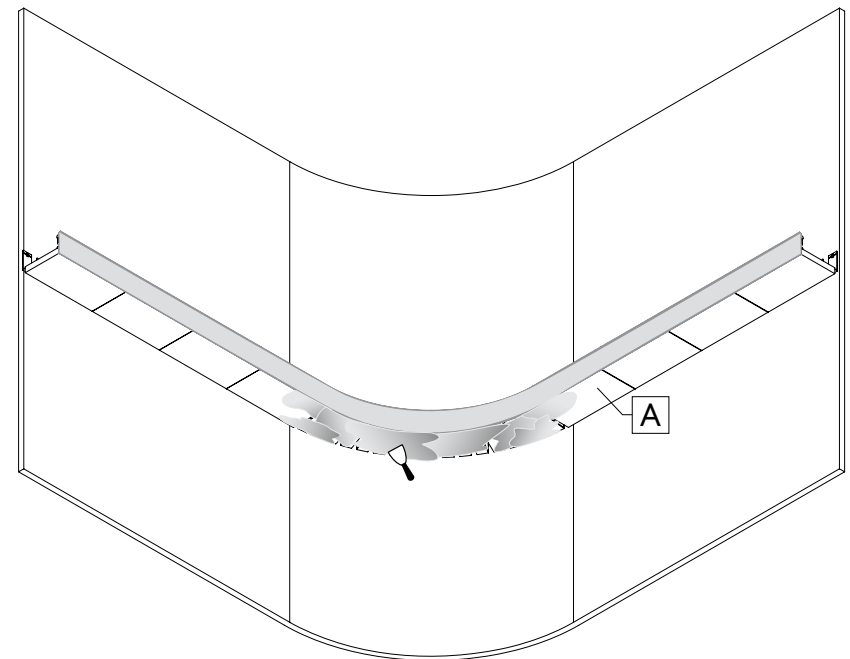


SHOWN WITH FC1, APPLICABLE TO ALL CONFIGURATIONS.

FRONT VIEW



BOTTOM VIEW



EVOQ

Mud-in - FC1 / FC2 / FCS



FIXTURE INSTALLATION AND ELECTRICAL CONNECTIONS

1 INSTALL EVOQ FIXTURES AND MAKE ELECTRICAL CONNECTIONS.



For fixture installation, please refer to the [Evoq fixture installation sheet](#) for more information.

