




INSTALLATION INSTRUCTIONS

 This product must be installed in accordance with the National Electrical Code and all applicable local codes, by a person familiar with the construction and operation of the product, and the hazards involved. Proper grounding is required for safety.

Ce produit doit être installé suivant le code national de l'électricité, ainsi que tous les codes locaux applicables, par une personne familière avec la construction et le fonctionnement du produit, ainsi que tous les risques qui y sont associés. La mise à terre électrique est obligatoire pour la sécurité.

 Disconnect power before installation or servicing.

 Do not cover the light element lens or heatsink with any materials or adhesive tapes when the fixture is powered.

 Handle the LED cartridge carefully during removal and installation. Tools must not touch the LED chips. Contact may result in damage and LED failure.

 Wire dimming conductors as Class 1.

 A luminaire with more than one power supply connection means shall be connected to only one branch circuit.

 For luminaires specified as recessed, clearance between the sides of the luminaire and parts of the building must be 1/2" minimum; clearance to insulating materials to be 3" minimum, unless luminaire is IC rated.

 Warranty claims will not be accepted if incorrect driver or light element is used.

INSTALLATION INSTRUCTIONS



For electrical connections, please refer to the [wiring diagram guide](#).



For remote driver box installation instructions, please refer to the [remote driver installation sheet](#).



Shown with CRV1 and CRV2. Applicable to CKE1 and CKE2.

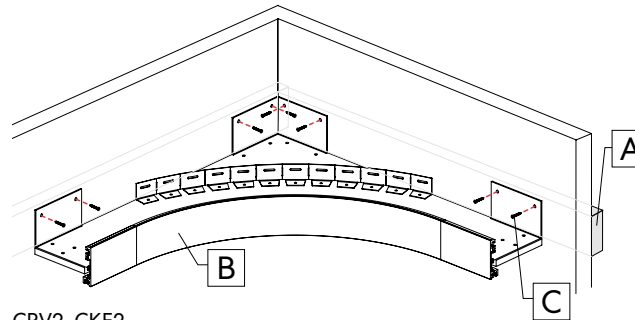
1 INSTALL FIRST RAMP TO BEAMS.

Locate the support beams **[A]**. Trace a reference line, where to install the ramp.

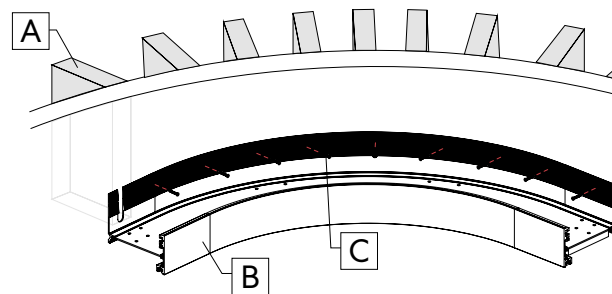
With the help of a level, anchor the ramp **[B]** onto the beams with #10 screws **[C]**.

Note: Power cable hole - \varnothing 1/2".

CRV1, CKE1



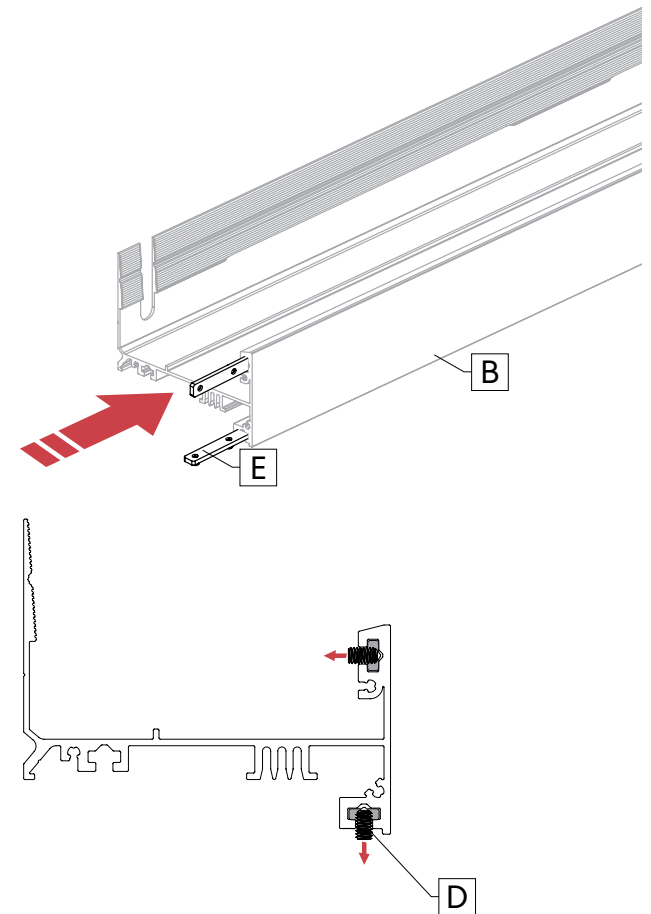
CRV2, CKE2



2 LOOSEN THE JOINERS.

Loosen the set screws **[D]** on the joiners **[E]**.

Slide the joiners **[E]** all the way into the ramp **[B]**.

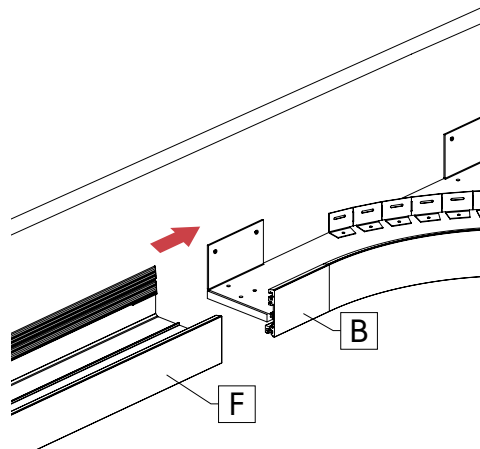


INSTALLATION INSTRUCTIONS

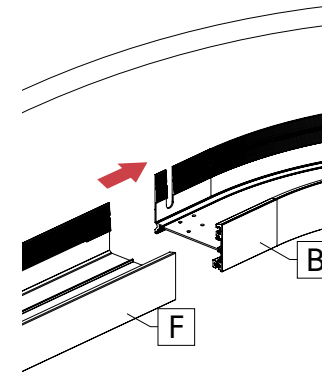
3 INSTALL RAMPS TO BEAMS.

Align the next ramp [F] to the 1st ramp [B] using a level.

CRV1, CKE1



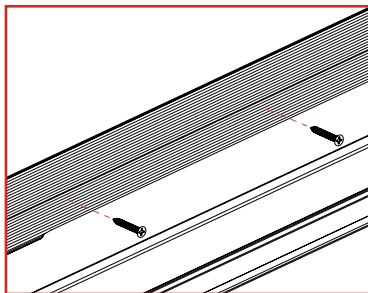
CRV2, CKE2



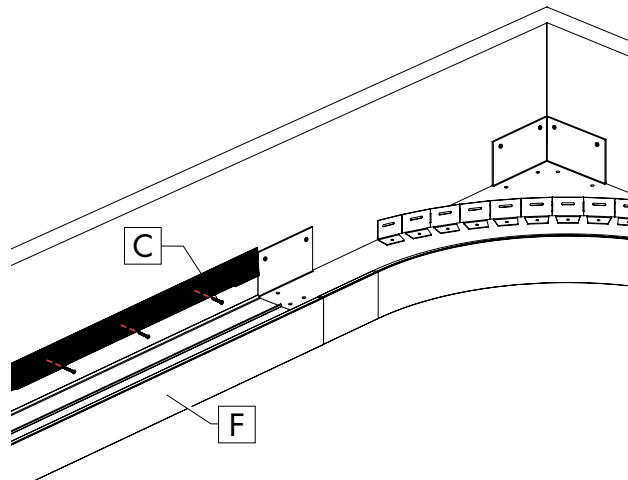
Drill holes on the drywall all the way to the beams, where the next ramp [F] will be located.

With the help of a level, anchor the next ramp [F] onto the beams with #10 screws [C].

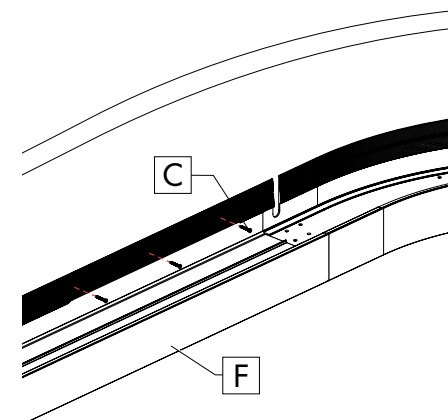
Note: Power cable hole - Ø 1/2"



CRV1, CKE1



CRV2, CKE2



INSTALLATION INSTRUCTIONS

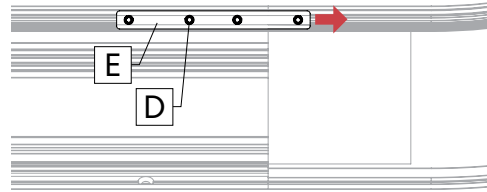
4 JOIN RAMPS.

Slide the joiner [E] from one side to the middle of the two ramps.

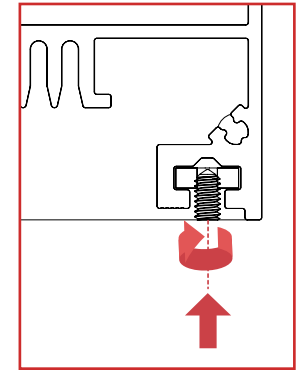
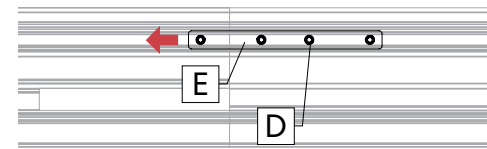
Secure the joiner [E] by tightening the set screws [D].

Note: Repeat steps 2 to 4 for each ramp section.

CRV1, CKE1



CRV2, CKE2



5 MARK DRYWALL.

To indicate where to cut the drywall piece [G], mark a line according to the dimensions of the ramp [B].

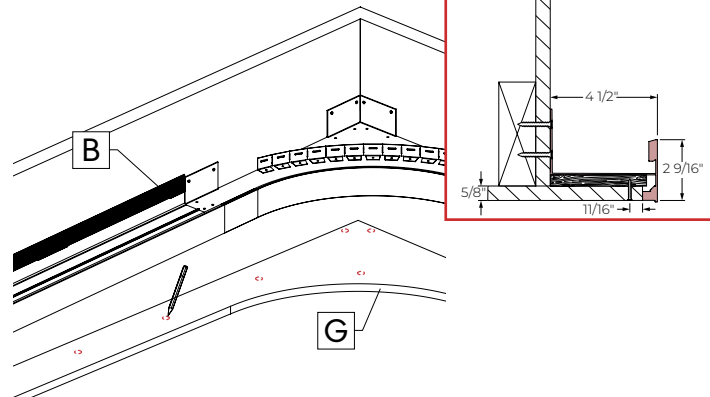
Mark the position of the wood beams and the wood pieces under the corner ramp.

To indicate where to screw the drywall piece [G] to the ramp [B], mark the location of the screws every 6 to 8 inches.

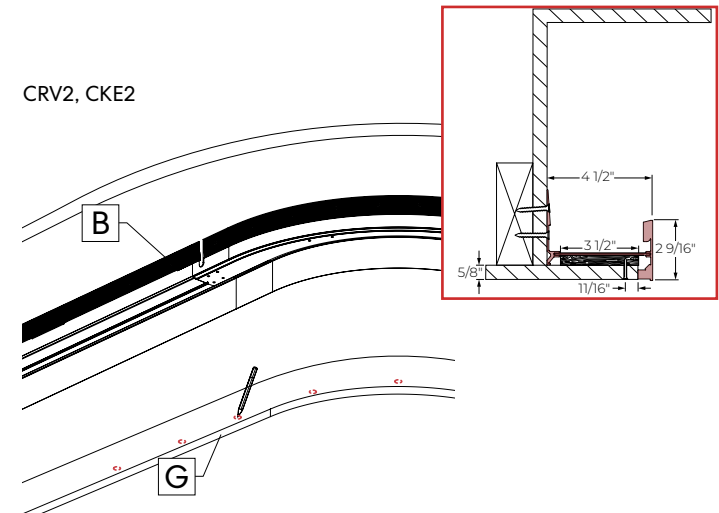
Note: See the section view for dimensions.

Note: A shim might be necessary for a drywall thinner than 5/8".

CRV1, CKE1



CRV2, CKE2

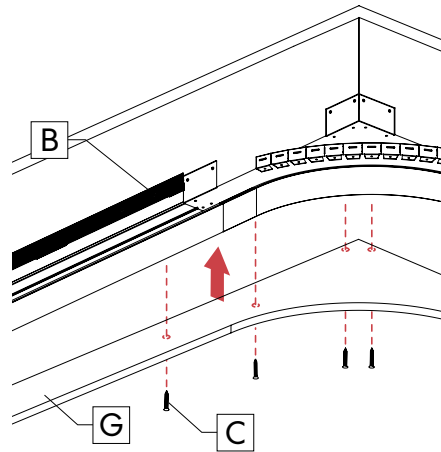


INSTALLATION INSTRUCTIONS

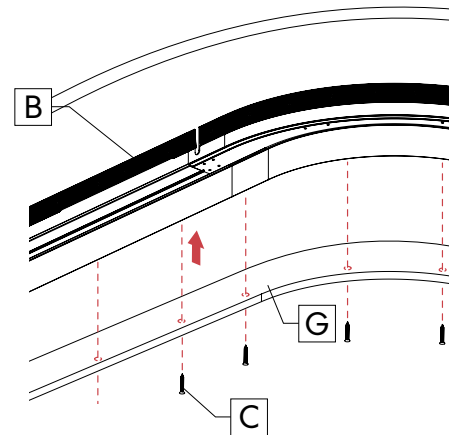
6 INSTALL DRYWALL.

Cut and install drywall piece [G] on ramp [B] with 1" long, #6 screws [C] (by others).

CRV1, CKE1



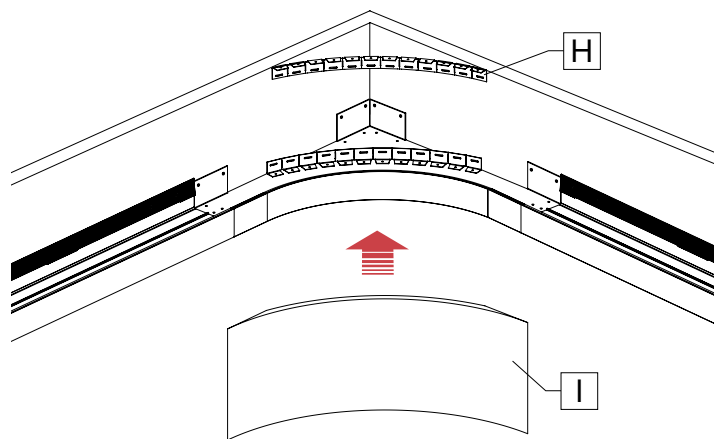
CRV2, CKE2



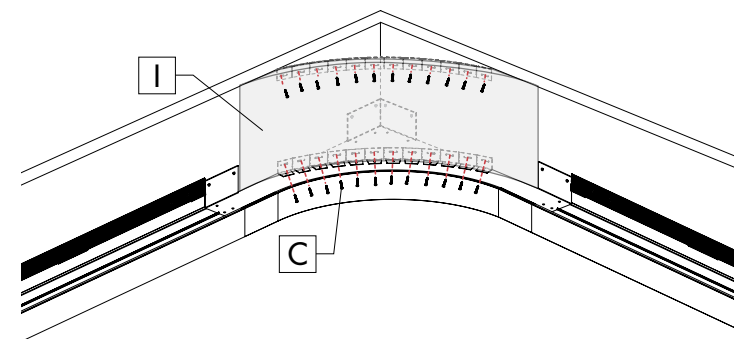
7 INSTALL CURVED WALL (CRV1 / CKE1 ONLY).

Install drywall corner beads [H] (supplied by others) onto drywall.

Cut the curved wall [I].



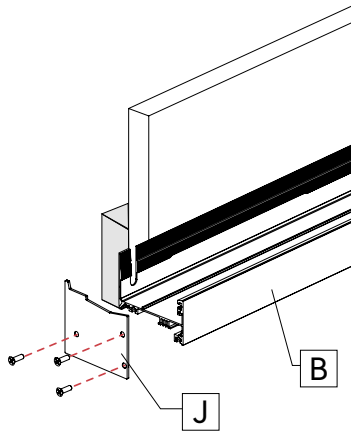
Install curved wall [I] with screws [C] following the guide line.



INSTALLATION INSTRUCTIONS

8 INSTALL END CAPS. OPTIONAL

Place end caps [J], if provided, at the extremities of the ramps [B] and secure them with screws.

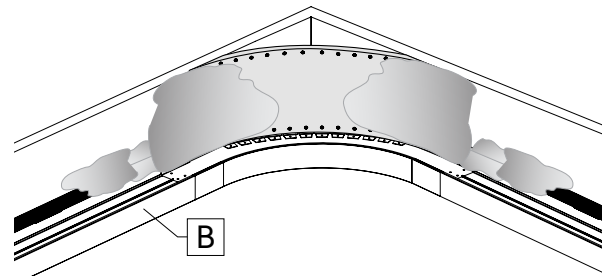


9 FINISH RAMP.

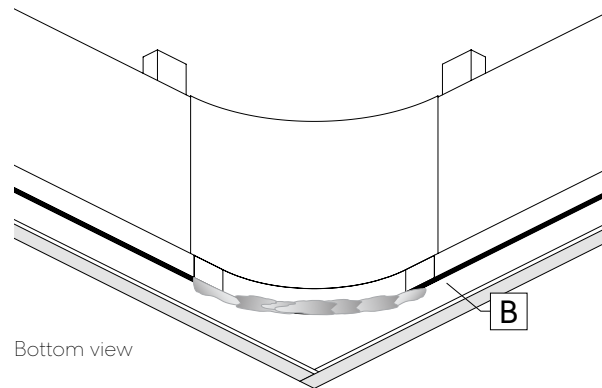
Finish the ramp installation [B] with primer paint, then with drywall compound and sand until everything is even. Paint the ramp the desired color.

Note: Applying primer paint before installing drywall compound will help it to stick to the surface. Use drywall tape between joining sections for better results.

CRV1, CKE1

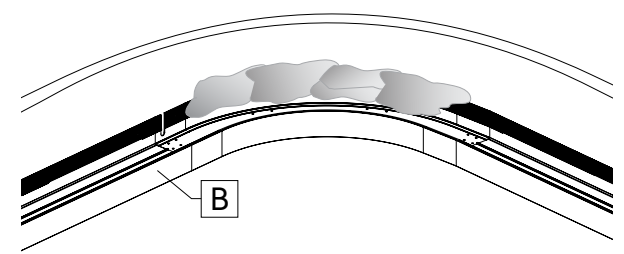


Top view

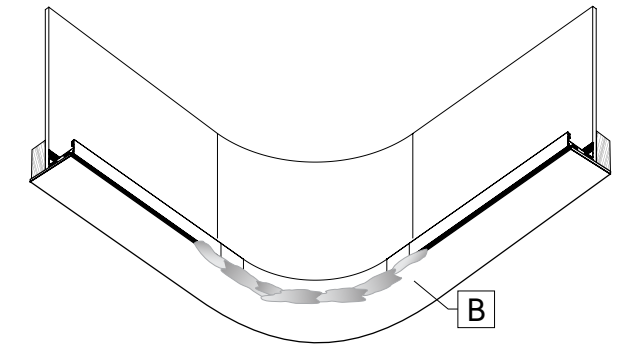


Bottom view

CRV2, CKE2



Top view



Bottom view

EVOQ

Mud-in - CRV1 / CRV2 / CKE1 / CKE2

FIXTURE INSTALLATION AND ELECTRICAL CONNECTIONS

1 INSTALL EVOQ FIXTURES AND MAKE ELECTRICAL CONNECTIONS.



For fixture installation, please refer to the [Evoq fixture installation sheet](#) for more information.

