
 This product must be installed in accordance with the National Electrical Code and all applicable local codes, by a person familiar with the construction and operation of the product, and the hazards involved. Proper grounding is required for safety.

Ce produit doit être installé suivant le code national de l'électricité, ainsi que tous les codes locaux applicables, par une personne familière avec la construction et le fonctionnement du produit, ainsi que tous les risques qui y sont associés. La mise à terre électrique est obligatoire pour la sécurité.

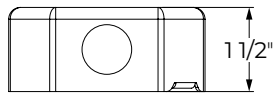
 Wire dimming conductors as Class 1.

 For electrical connections, follow the wiring diagrams on page [12](#) and [13](#) according to specified drivers in product configuration.

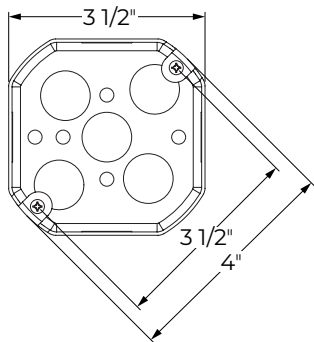
## OVERVIEW (Driver in Cylinder)

See pages [7 to 11](#) for Driver in Junction Box installation instructions

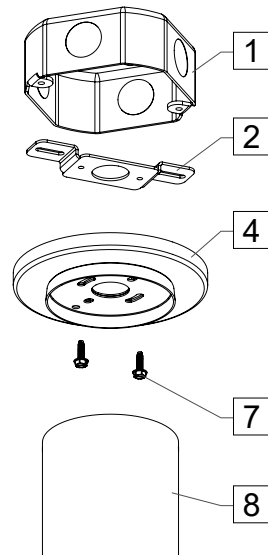
### Junction box (by others)



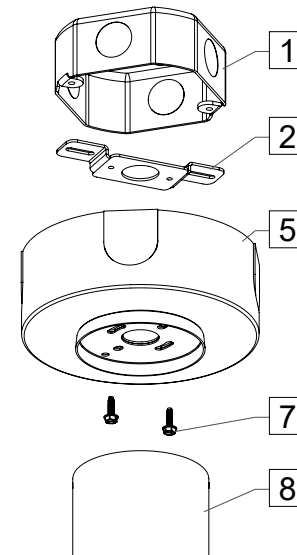
Standard 4" octagonal junction box



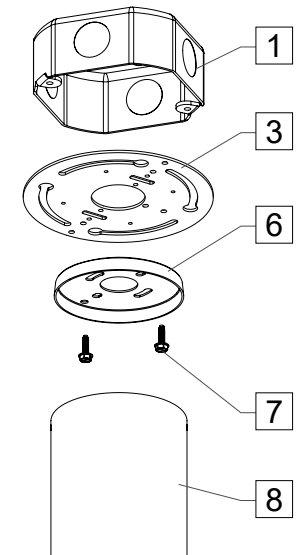
### Flat canopy



### Conduit feed canopy



### Direct mount




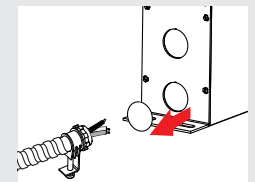
### Items list

1	Junction box (by others)
2	Crossbar
3	Mounting plate
4	Flat canopy assembly
5	Conduit canopy assembly
6	Adapter piece
7	6-32 screw
8	Housing assembly

### Tools required

- Allen key 5/64
- Philips screwdriver
- Socket screwdriver 1/4"
- Gypsum cutter or milling hand tool

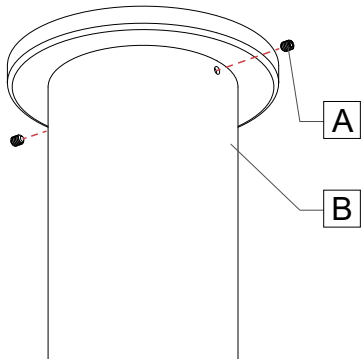
 For remote driver box, please refer to the [remote driver installation sheet](#) for more information.



## FLAT CANOPY

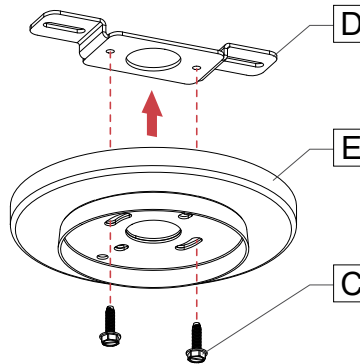
### 1 REMOVE SET SCREWS.

Remove set screws [A] from the housing assembly [B].



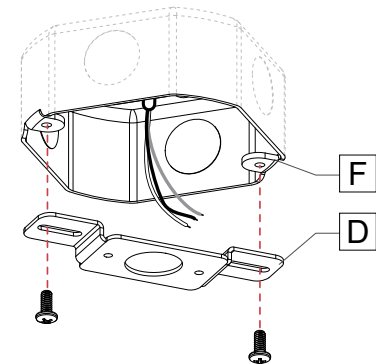
### 2 DETACH CROSSBAR.

Remove hex screws [C] to detach the crossbar [D] from the canopy assembly [E].



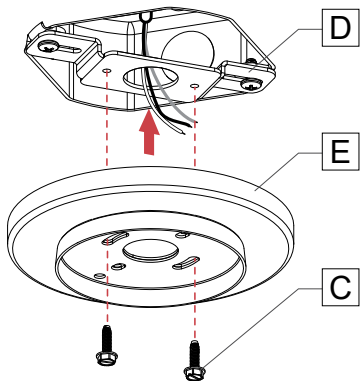
### 3 INSTALL CROSSBAR.

Attach and secure the crossbar [D] onto the junction box [F].



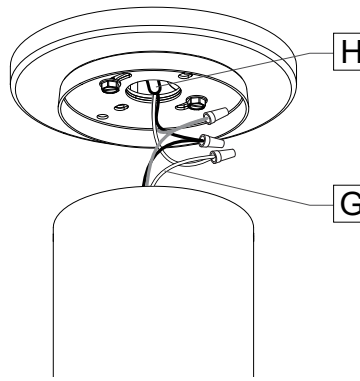
### 4 INSTALL CANOPY ASSEMBLY.

Attach the canopy assembly [E] with provided hex screws [C] onto the crossbar [D].



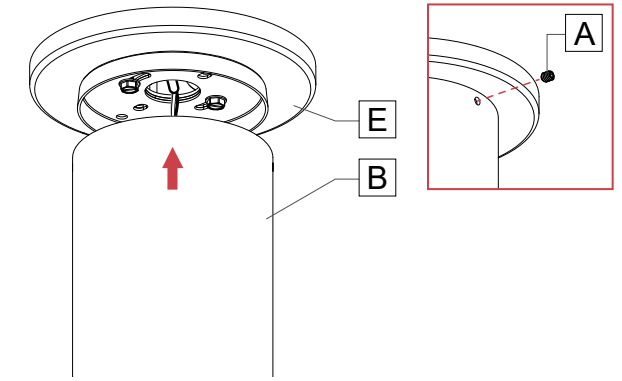
### 5 MAKE ELECTRICAL CONNECTIONS.

Make electrical connections between the fixture cable [G] and the main power [H] using wire nuts (by others).



### 6 INSTALL HOUSING ASSEMBLY.

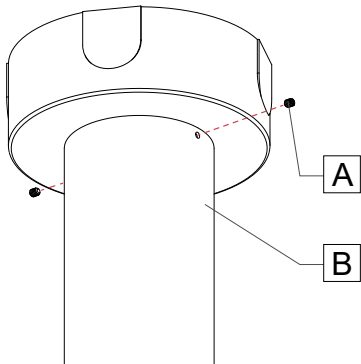
Place the housing assembly [B] over the canopy assembly [E] and secure with the provided set screws [A].



## CONDUIT FEED CANOPY

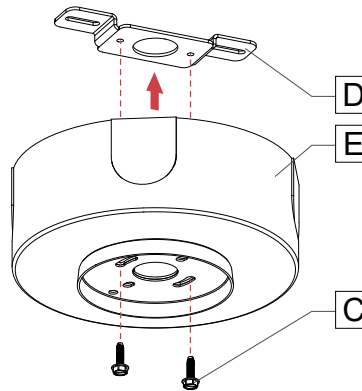
### 1 REMOVE SET SCREWS.

Remove set screws [A] from the housing assembly [B].



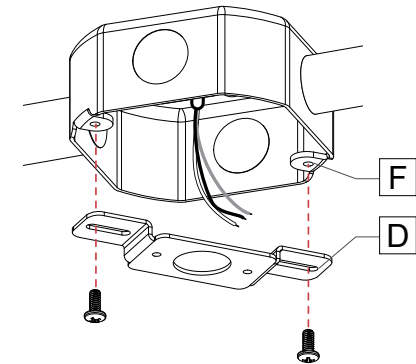
### 2 DETACH CROSSBAR.

Remove hex screws [C] to detach the crossbar [D] from the canopy assembly [E].



### 3 INSTALL CROSSBAR.

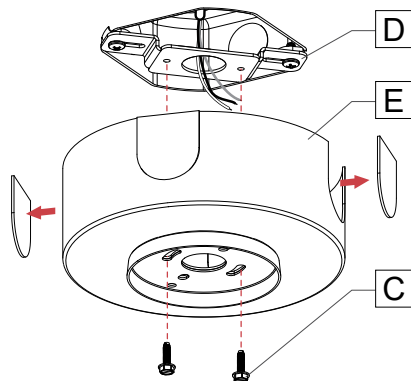
Attach and secure the crossbar [D] onto the junction box [F].



### 4 INSTALL CANOPY ASSEMBLY.

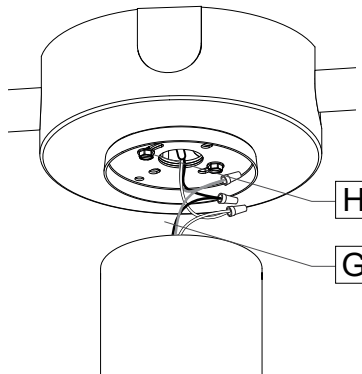
Remove the necessary knock outs to allow the conduits to connect onto junction box.

Attach the canopy assembly [E] with provided hex screws [C] onto the crossbar [D].



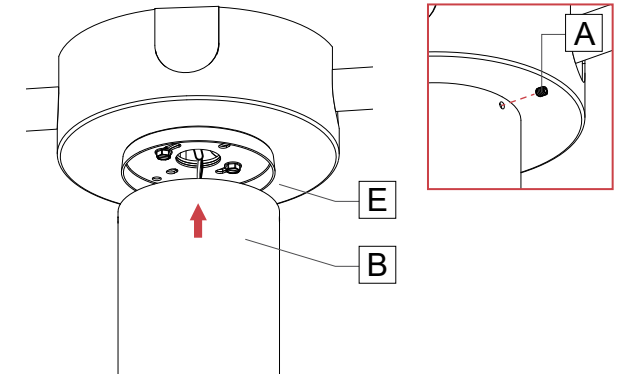
### 5 MAKE ELECTRICAL CONNECTIONS.

Make electrical connections between the fixture cable [G] and the main power [H] using wire nuts (by others).



### 6 INSTALL HOUSING ASSEMBLY.

Place the housing assembly [B] over the canopy assembly [E] and secure with the provided set screws [A].

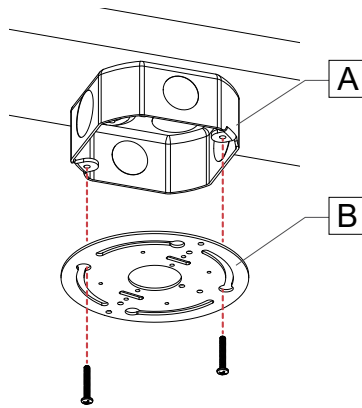


## DIRECT - JUNCTION BOX (Install option A - New construction)

### 1 INSTALL JUNCTION BOX AND MOUNTING PLATE.

Install and reinforce junction box [A] (by others) to ceiling structure.

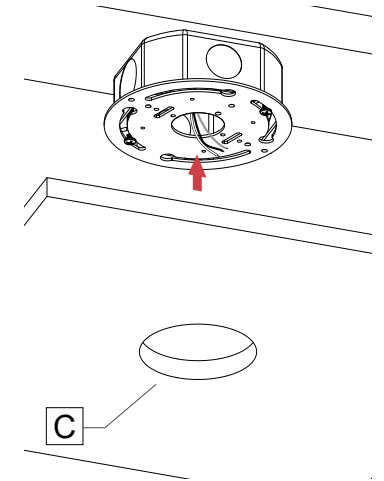
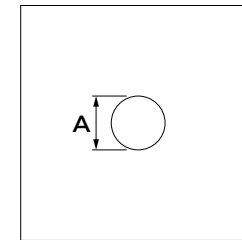
Mount and turn the mounting plate [B] to place on the junction box. Tighten screws to secure the mounting plate to the junction box.



### 2 PREPARE DRYWALL CEILING.

Install the drywall [C]. Prepare the area where the fixture is going to be installed. Cut hole in the drywall by using provided template cutout hole.

Size	A
2"	Ø1 3/4"
3"	Ø2 3/4"

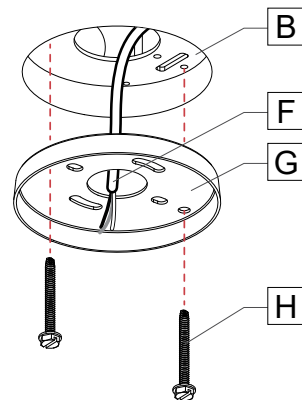
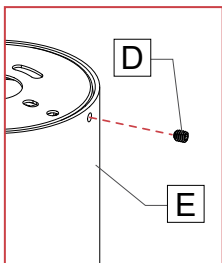


### 3 INSTALL ADAPTER PIECE.

Remove set screws [D] from the housing assembly [E].

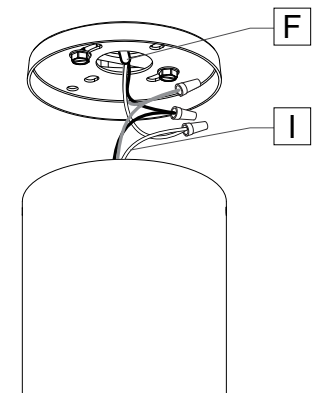
Pass the main power cable [F] through the adapter piece [G].

Attach the adapter piece [G] with provided hex screws [H] onto the mounting plate [B].



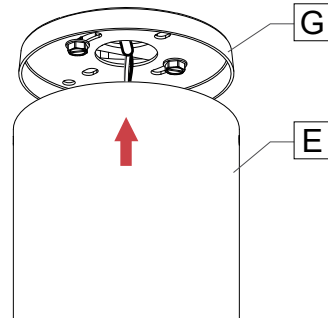
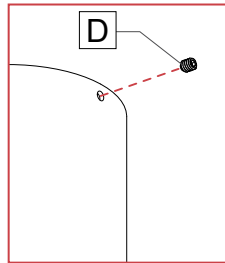
### 4 MAKE ELECTRICAL CONNECTIONS.

Make electrical connections between the fixture cable [I] and the main power [F] using wire nuts (by others).



## 5 INSTALL HOUSING ASSEMBLY.

Place the housing assembly [E] back to the adapter piece [G] and secure with the provided set screws [D].

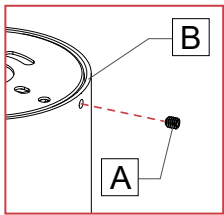


## DIRECT - DIRECT FEED (Install option B - Remodel)

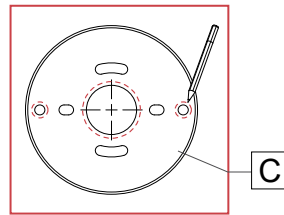
Driver in Cylinder

### 1 INSTALL ADAPTER PIECE TO CEILING.

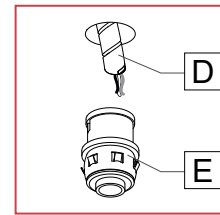
Remove set screws **[A]** from the housing assembly **[B]**.



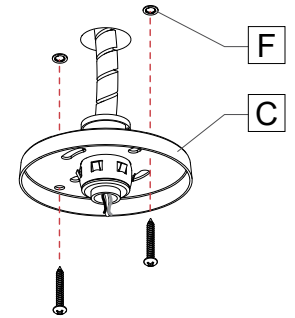
Locate where the fixture will be installed. Use the adapter piece **[C]** as a model to mark 2 mounting points and a 7/8" dia hole.



Pierce a 7/8" dia hole and bring the power cable **[D]** through the hole and connect the power cable to the adapter **[E]**.

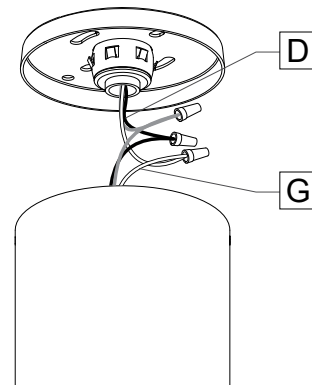


Install screw anchors **[F]** where the hole was made and install the adapter piece **[C]** with screws.



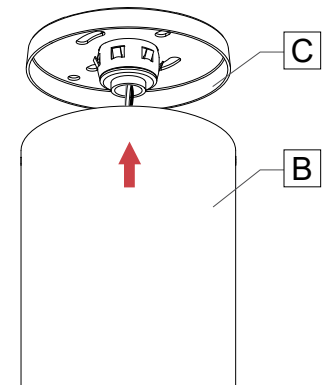
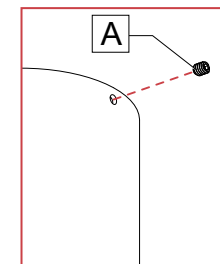
### 2 MAKE ELECTRICAL CONNECTIONS.

Make electrical connections between the fixture cable **[G]** and the main power **[D]** using wire nuts (by others).



### 3 INSTALL HOUSING ASSEMBLY.

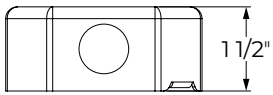
Place the housing assembly **[B]** back to the adapter piece **[C]** and secure with the provided set screws **[A]**.



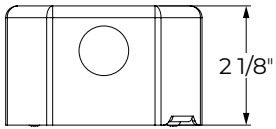
## OVERVIEW (Driver in Junction Box)

See pages [1 to 6](#) for Driver in Cylinder installation instructions

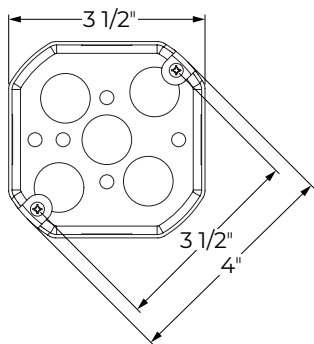
### Junction box (by others)



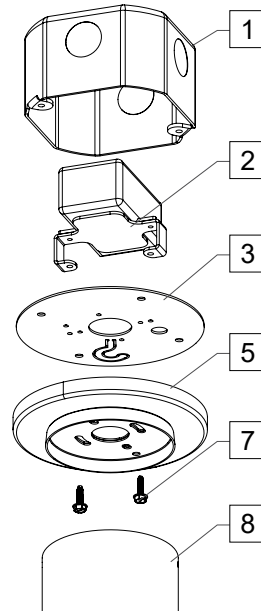
Standard 4" octagonal junction box



Deep junction box



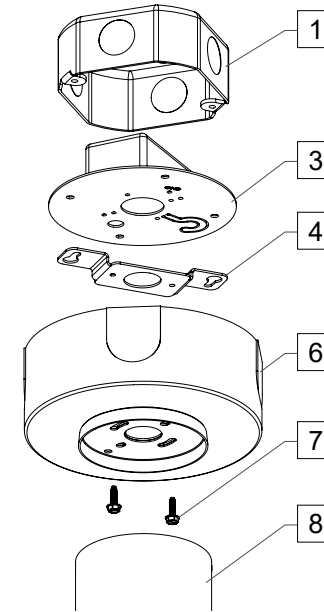
### Flat canopy with deep J-box



#### Items list

1	Junction box (by others)
2	Driver bracket
3	Fixed mounting plate
4	Cross bar
5	Flat canopy assembly
6	Conduit canopy assembly
7	6-32 screw
8	Housing assembly

### Conduit feed canopy with standard J-box



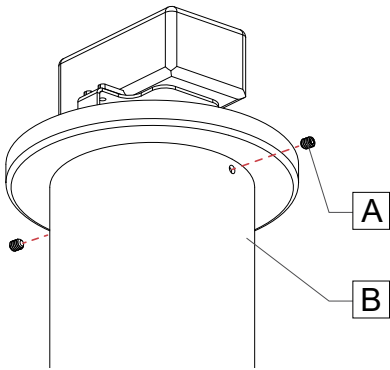
#### Tools required

- Allen key 5/64
- Philips screwdriver
- Socket screwdriver 1/4"

## FLAT CANOPY WITH DEEP JUNCTION BOX

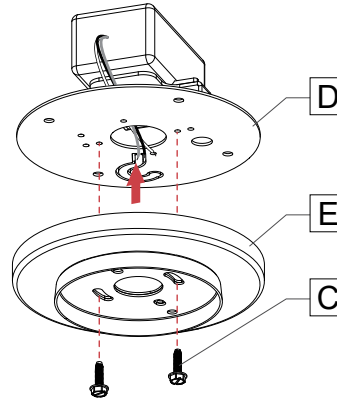
### 1 REMOVE SET SCREWS.

Remove set screws [A] from the housing assembly [B].



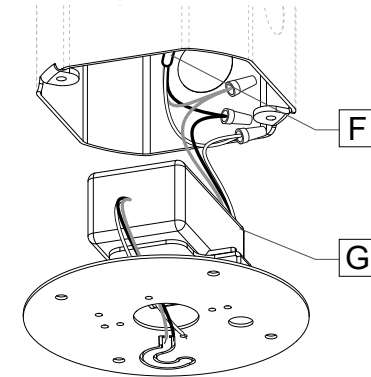
### 2 DETACH MOUNTING PLATE.

Remove hex screws [C] to detach the mounting plate [D] from the canopy assembly [E].



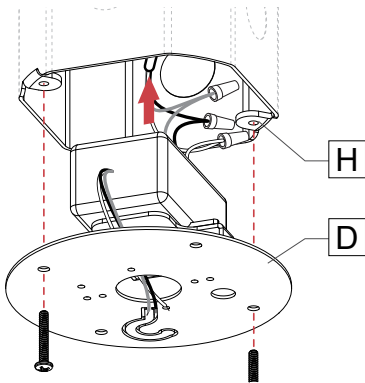
### 3 MAKE ELECTRICAL CONNECTIONS.

Make the electrical connections between the main power cable [F] and the wires [G] from the driver box with the wire nuts (by others).



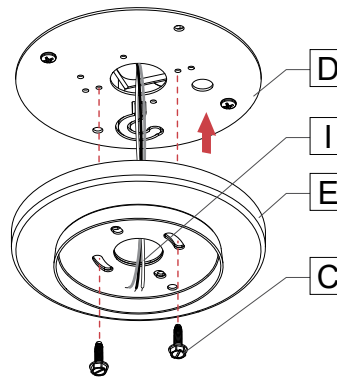
### 4 INSTALL MOUNTING PLATE.

Mount and secure the fixed mounting plate [D] on the junction box [H].



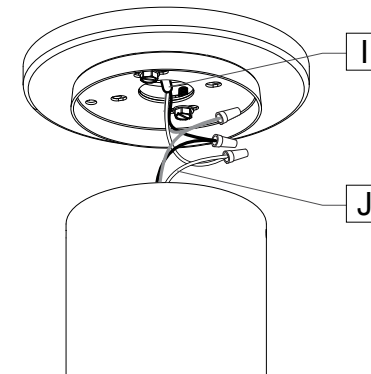
### 5 INSTALL CANOPY ASSEMBLY.

Pull the wires [I] from the driver box through the canopy assembly [E]. Attach the canopy assembly [E] with provided hex screws [C] onto the fixed mounting plate [D].



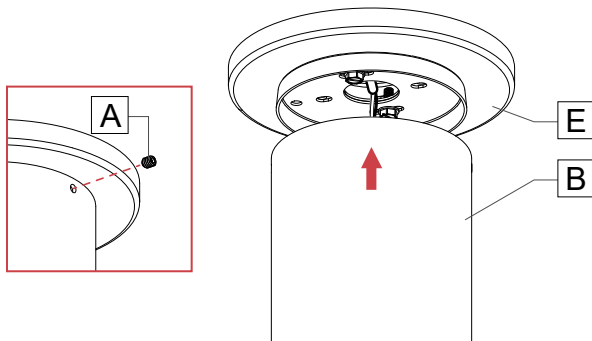
### 6 MAKE ELECTRICAL CONNECTIONS.

Make electrical connections between the fixture cable [J] and the wires from the driver [I] using wire nuts (by others).



## 7 INSTALL HOUSING ASSEMBLY.

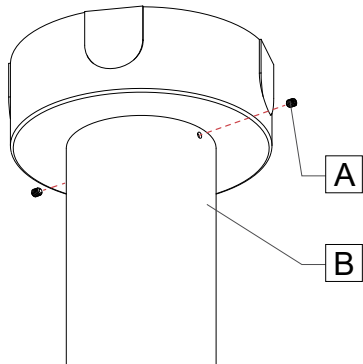
Place the housing assembly [B] over the canopy assembly [E] and secure with the provided set screws [A].



## CONDUIT FEED CANOPY WITH STANDARD JUNCTION BOX

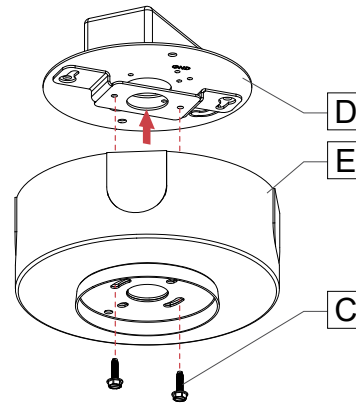
### 1 REMOVE SET SCREWS.

Remove set screws [A] from the housing assembly [B].



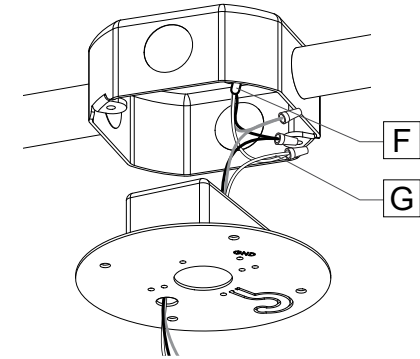
### 2 DETACH FIXED MOUNTING PLATE.

Remove hex screws [C] to detach the fixed mounting plate [D] from the canopy assembly [E].



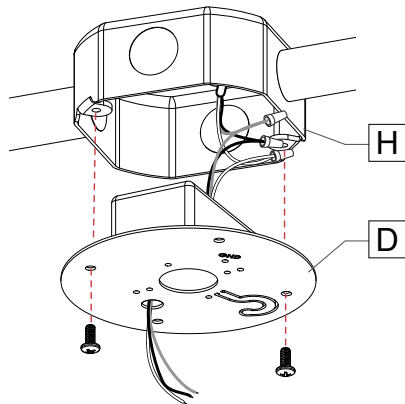
### 3 MAKE ELECTRICAL CONNECTIONS.

Make the electrical connections between the main power cable [F] and the wires [G] from the driver box with the wire nuts (by others).



### 4 INSTALL FIXED MOUNTING PLATE.

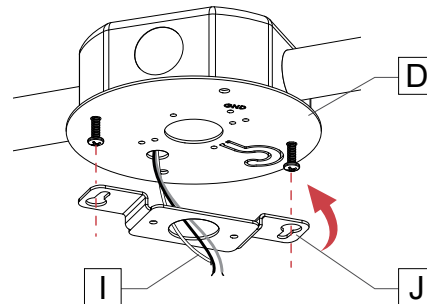
Fix the fixed mounting plate [D] to the J-box [H] with screws.



### 5 INSTALL CROSS BAR.

Pull the wires [I] from the driver box through the cross bar [J].

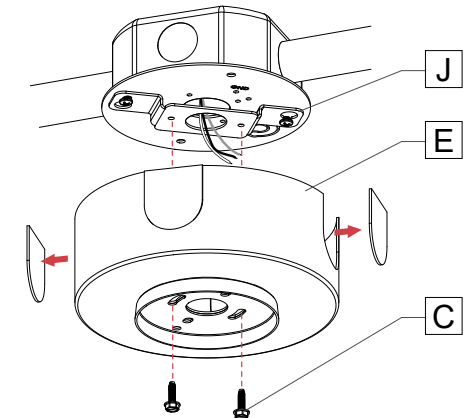
Fix the cross bar [J] to the fixed mounting plate [D] by turning.



### 6 INSTALL CANOPY ASSEMBLY.

Remove the necessary knock outs to allow the conduits to connect onto junction box.

Attach the canopy assembly [E] with provided hex screws [C] onto the crossbar [J].



# FLAIR

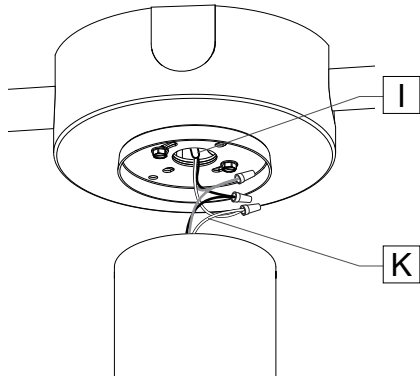
Surface

# LUMENWERX

Driver in Junction Box

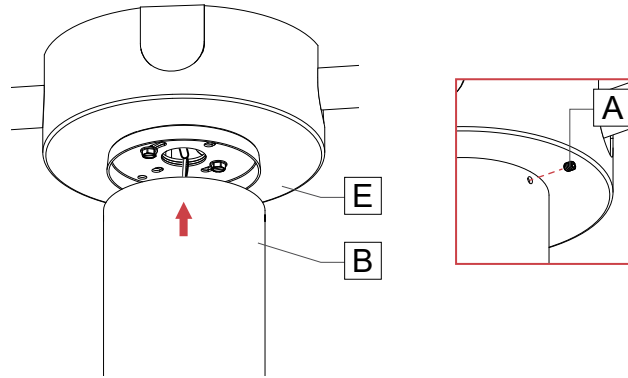
## 7 MAKE ELECTRICAL CONNECTIONS.

Make electrical connections between the fixture cable [K] and the wires [I] from the driver using wire nuts (by others).



## 8 INSTALL HOUSING ASSEMBLY.

Place the housing assembly [B] over the canopy assembly [E] and secure with the provided set screws [A].



## WIRING DIAGRAMS (1 Circuit)

For electrical connections, follow the wiring diagrams according to specified drivers in product configuration.

### INTEGRAL DRIVER - STATIC WHITE, SOLA

D1 / SD1		ELV / TRI / SELV / STRI																	
<table border="1" style="width: 100%; border-collapse: collapse;"> <tr><td>BLACK</td><td>HOT</td></tr> <tr><td>WHITE</td><td>NEUTRAL</td></tr> <tr><td>GREEN</td><td>GROUND</td></tr> <tr><td>PURPLE</td><td>DIM (+) 0-10V</td></tr> <tr><td>PINK or GRAY</td><td>DIM (-) 0-10V</td></tr> </table>	BLACK	HOT	WHITE	NEUTRAL	GREEN	GROUND	PURPLE	DIM (+) 0-10V	PINK or GRAY	DIM (-) 0-10V		<table border="1" style="width: 100%; border-collapse: collapse;"> <tr><td>BLACK</td><td>HOT</td></tr> <tr><td>WHITE</td><td>NEUTRAL</td></tr> <tr><td>GREEN</td><td>GROUND</td></tr> </table> <p>Note: 120V max input voltage</p>	BLACK	HOT	WHITE	NEUTRAL	GREEN	GROUND	
BLACK	HOT																		
WHITE	NEUTRAL																		
GREEN	GROUND																		
PURPLE	DIM (+) 0-10V																		
PINK or GRAY	DIM (-) 0-10V																		
BLACK	HOT																		
WHITE	NEUTRAL																		
GREEN	GROUND																		

### REMOTE DRIVER - STATIC WHITE, SOLA

RDA		RD1 / RELD1 / RELD0 / RSD1															
<table border="1" style="width: 100%; border-collapse: collapse;"> <tr><td>RED</td><td>LED (+)</td></tr> <tr><td>BLUE</td><td>LED (-)</td></tr> </table> <p><b>Note:</b> For remote driver wiring in the remote driver box (RDB), refer to the applicable driver wiring.</p> <p>For max wire distance from driver, please check our website: <a href="http://WWW.LUMENWERX.COM">WWW.LUMENWERX.COM</a></p>	RED	LED (+)	BLUE	LED (-)		<table border="1" style="width: 100%; border-collapse: collapse;"> <tr><td>BLACK</td><td>HOT</td></tr> <tr><td>WHITE</td><td>NEUTRAL</td></tr> <tr><td>GREEN</td><td>GROUND</td></tr> <tr><td>PURPLE</td><td>DIM (+) 0-10V</td></tr> <tr><td>PINK or GRAY</td><td>DIM (-) 0-10V</td></tr> </table>	BLACK	HOT	WHITE	NEUTRAL	GREEN	GROUND	PURPLE	DIM (+) 0-10V	PINK or GRAY	DIM (-) 0-10V	
RED	LED (+)																
BLUE	LED (-)																
BLACK	HOT																
WHITE	NEUTRAL																
GREEN	GROUND																
PURPLE	DIM (+) 0-10V																
PINK or GRAY	DIM (-) 0-10V																

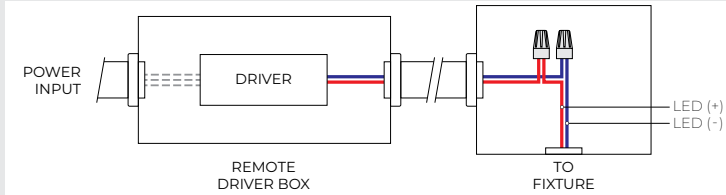
RLTEA2W / RELV / RTRI / RSELV / RSTRI		RLDE1																	
<table border="1" style="width: 100%; border-collapse: collapse;"> <tr><td>BLACK</td><td>HOT</td></tr> <tr><td>WHITE</td><td>NEUTRAL</td></tr> <tr><td>GREEN</td><td>GROUND</td></tr> </table> <p>Note: 120V max input voltage</p>	BLACK	HOT	WHITE	NEUTRAL	GREEN	GROUND		<table border="1" style="width: 100%; border-collapse: collapse;"> <tr><td>BLACK</td><td>HOT</td></tr> <tr><td>WHITE</td><td>NEUTRAL</td></tr> <tr><td>GREEN</td><td>GROUND</td></tr> <tr><td>PURPLE</td><td>E1 TO ECOSYSTEM</td></tr> <tr><td>PINK or GRAY</td><td>E2 DIGITAL LINK</td></tr> </table>	BLACK	HOT	WHITE	NEUTRAL	GREEN	GROUND	PURPLE	E1 TO ECOSYSTEM	PINK or GRAY	E2 DIGITAL LINK	
BLACK	HOT																		
WHITE	NEUTRAL																		
GREEN	GROUND																		
BLACK	HOT																		
WHITE	NEUTRAL																		
GREEN	GROUND																		
PURPLE	E1 TO ECOSYSTEM																		
PINK or GRAY	E2 DIGITAL LINK																		

## REMOTE DRIVER - DUO

RED	LED (+)
BLUE	LED (-)

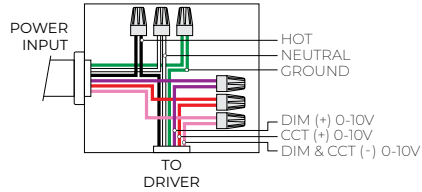
**Note:**  
For remote driver wiring in the remote driver box (RDB), refer to the applicable driver wiring.

For max wire distance from driver, please check our website: [WWW.LUMENWERX.COM](http://WWW.LUMENWERX.COM)



### RDD1

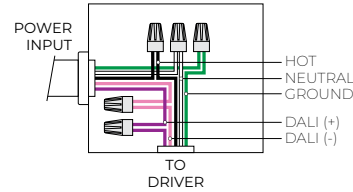
BLACK	HOT
WHITE	NEUTRAL
GREEN	GROUND
PURPLE	DIM (+) 0-10V
RED	CCT (+) 0-10V
PINK or GRAY	DIM & CCT (-) 0-10V



**Note:**  
Common negative for dimming & CCT

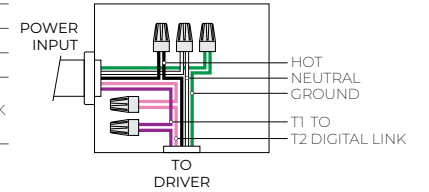
### RDDA / RDDA8

BLACK	HOT
WHITE	NEUTRAL
GREEN	GROUND
PURPLE	DALI (+)
PINK or GRAY	DALI (-)



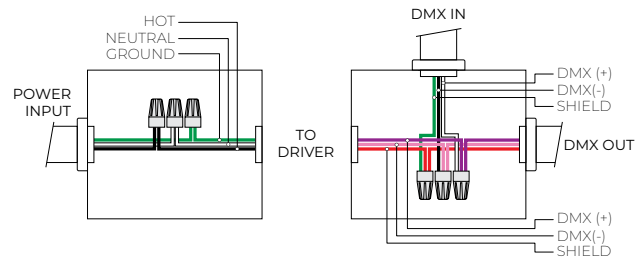
### RPSQ0

BLACK	HOT
WHITE	NEUTRAL
GREEN	GROUND
PURPLE	T1 TO
PINK or GRAY	T2 DIGITAL LINK



### RDMX

BLACK	HOT
WHITE	NEUTRAL
GREEN	GROUND
WHITE	DMX (+)
BLACK	DMX (-)
GREEN	SHIELD
PURPLE	DMX (+)
PINK or GRAY	DMX (-)
RED	SHIELD



**Note:**  
- Must follow DMX wiring architecture  
- Use low capacitance wiring for DMX network